

ASSEMBLY INSTRUCTIONS



Fine Furniture for every stage of life

POWER LIFT RECLINER

ASSEMBLY INSTRUCTIONS

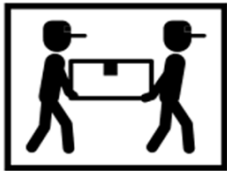
ASSEMBLY TIPS:

- 1.Remove hardware from box and sort by size.
- 2.Please check to see that all hardware and parts are present prior to start of assembly.
- 3.Please follow attached instruction in the same sequence as numbered to assure fast & easy assembly.



WARNING!

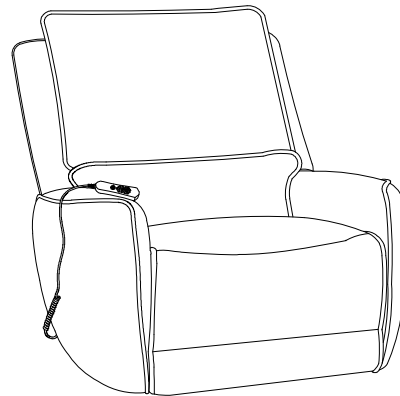
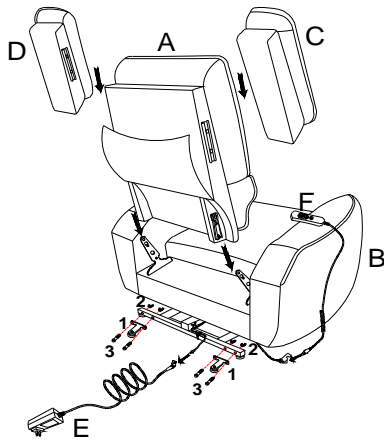
- 1.Don't attempt to repair or modify parts that are broken or defective. Please contact the store immediately.
- 2.This product is for home use only and not intended for commercial establishment.



ASSEMBLY TIME

10 MINUTES

PARTS IDENTIFICATION



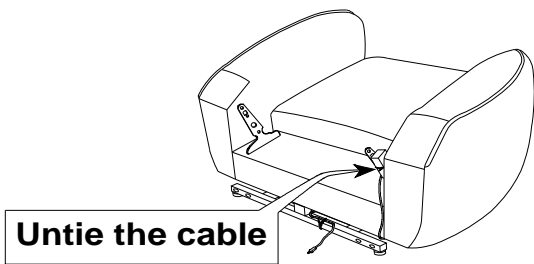
PARTS LIST

| | | | |
|---|--|----------------------|-----|
| A | | BACK CUSHION | 1PC |
| B | | BASE | 1PC |
| C | | LEFT EAR | 1PC |
| D | | RIGHT EAR | 1PC |
| E | | PLUG-IN POWER SUPPLY | 1PC |
| F | | CONTROLLER | 1PC |

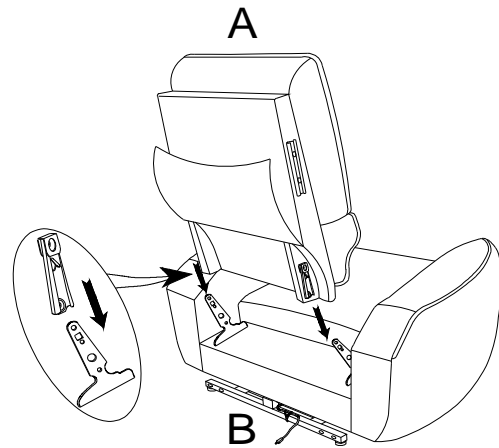
| Z HARDWARE PACKAGE | | | |
|--------------------|--|--------|------|
| NO | DESCRIPTION | FIGURE | QTY |
| 1 | SUBASSEMBLY OF FALLING BACKWARD PREVENTION | | 2PCS |
| 2 | BUTTERFLY NUT 1/4" | | 4PCS |
| 3 | HEXAGON BOLT 1/4" * 38mm | | 4PCS |

ASSEMBLY INSTRUCTIONS

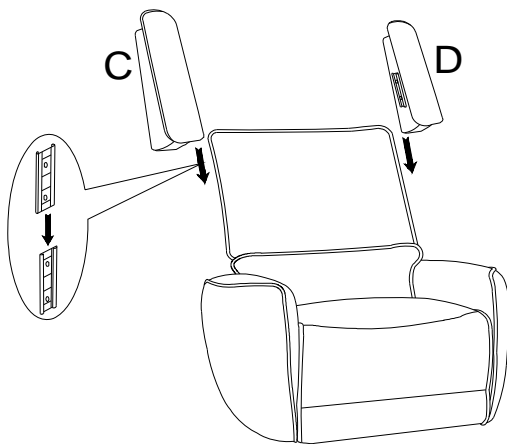
STEP 1



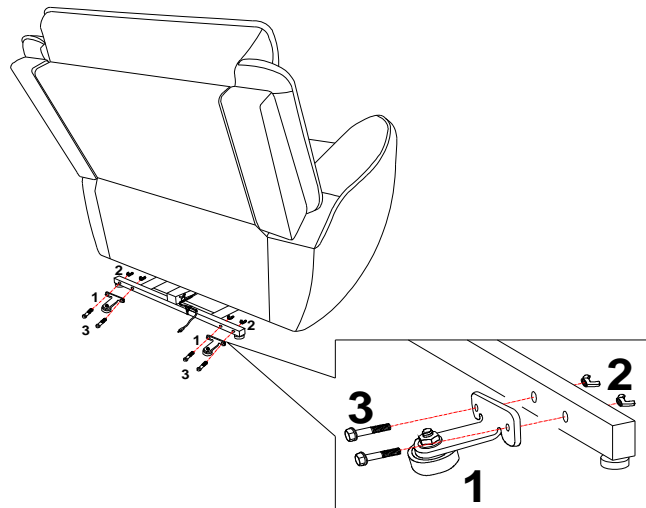
STEP 2



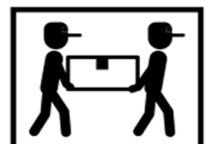
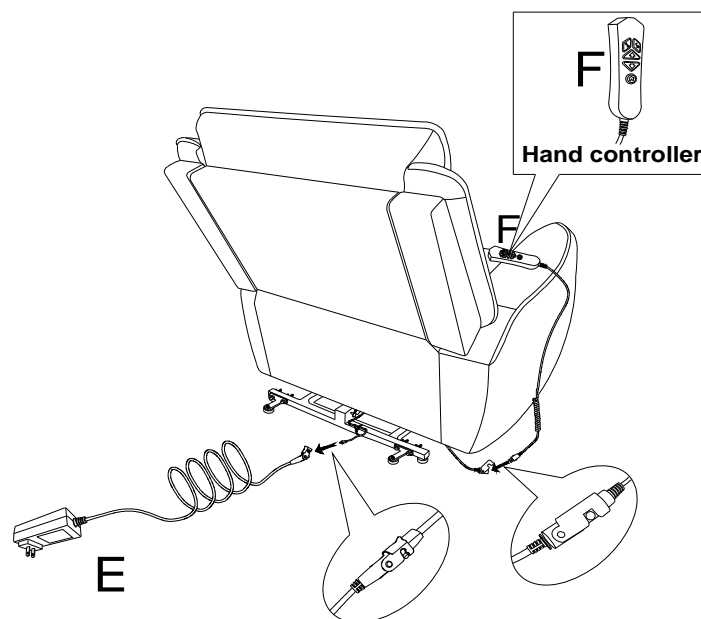
STEP 3



STEP 4

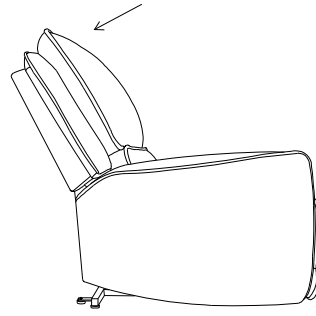
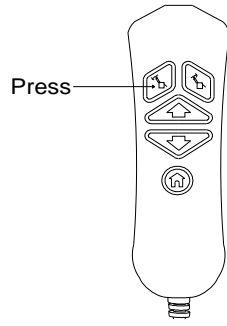


STEP 5

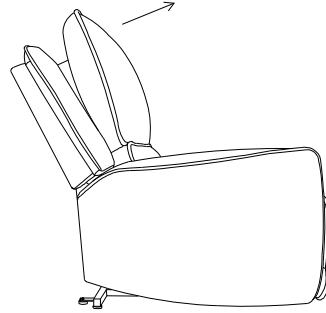
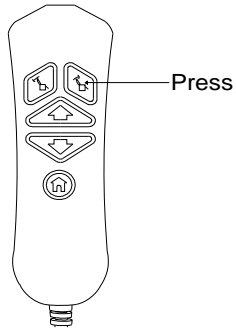


ASSEMBLY INSTRUCTIONS

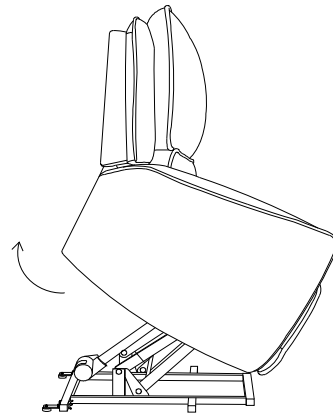
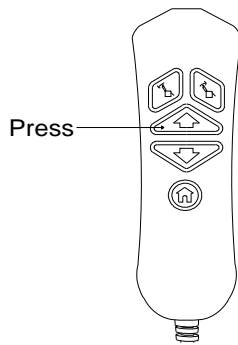
STEP 6



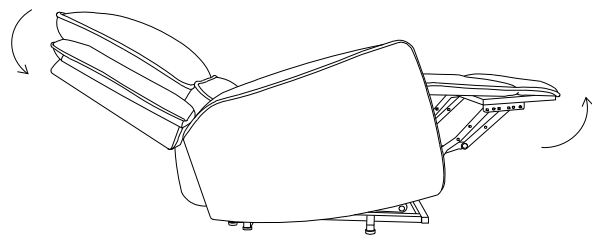
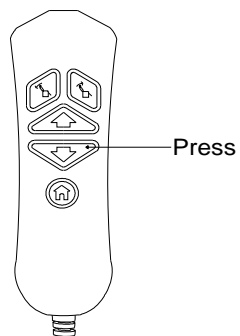
STEP 7



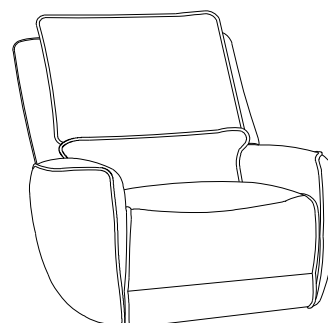
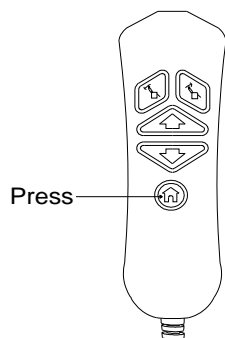
STEP 8



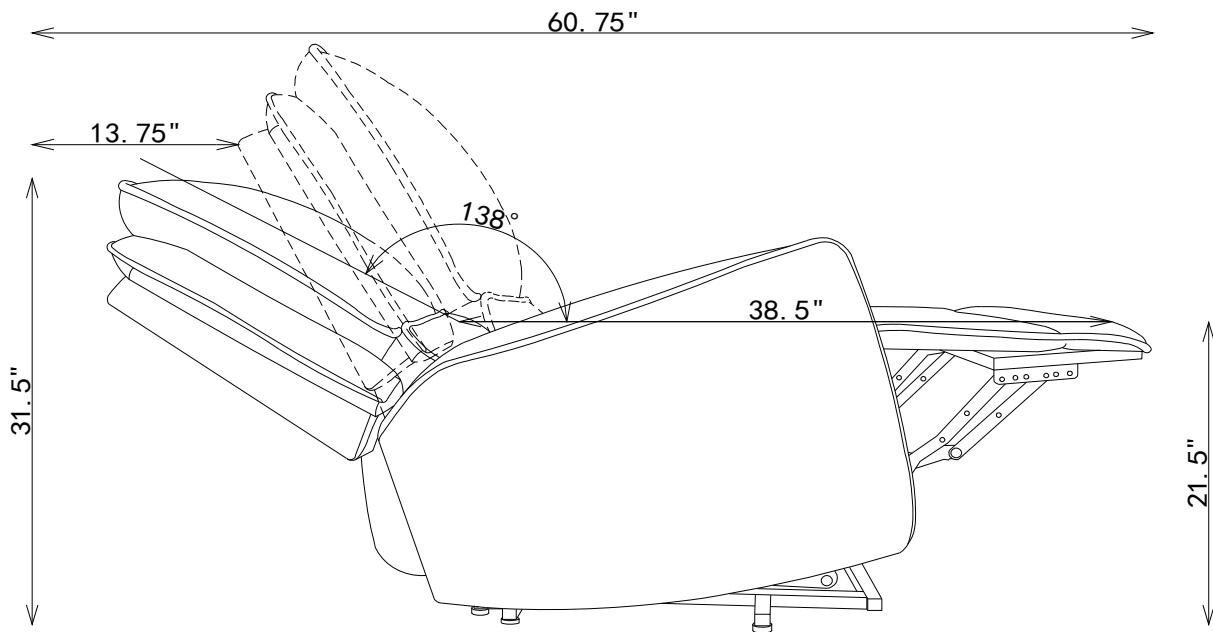
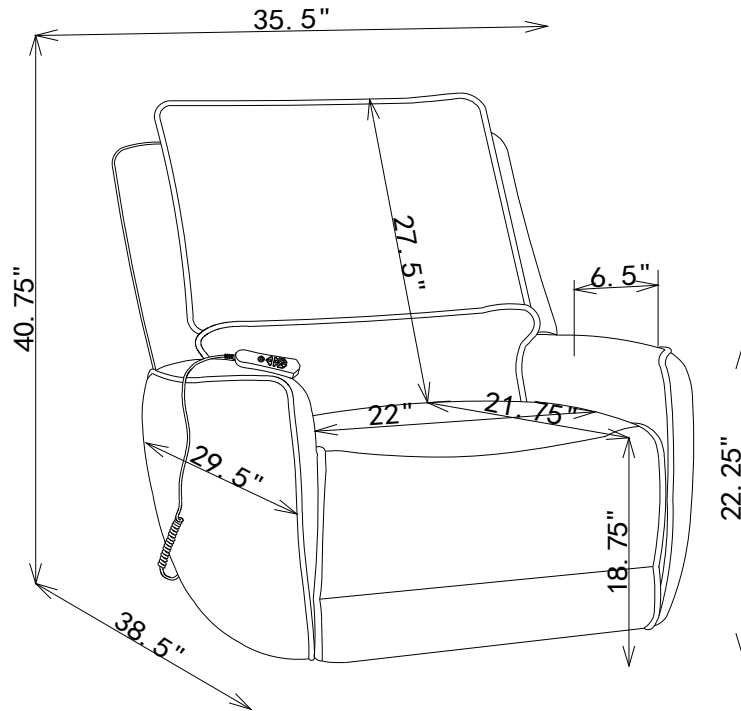
STEP 9



STEP 10



ASSEMBLY INSTRUCTIONS



USER'S ATTENTION

Before using chair, please clear and remove the obstacles before or behind this product to keep enough space for function operation. It is forbidden to force the movement.

The operation should be prohibited when this product is in the following position :

