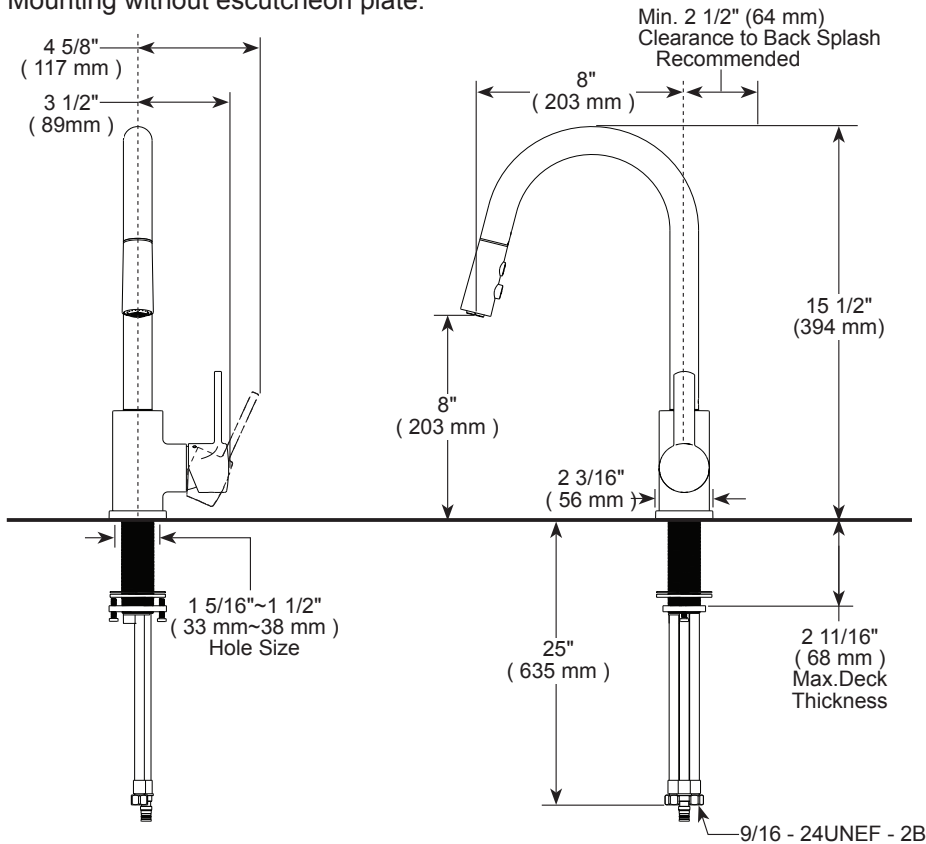
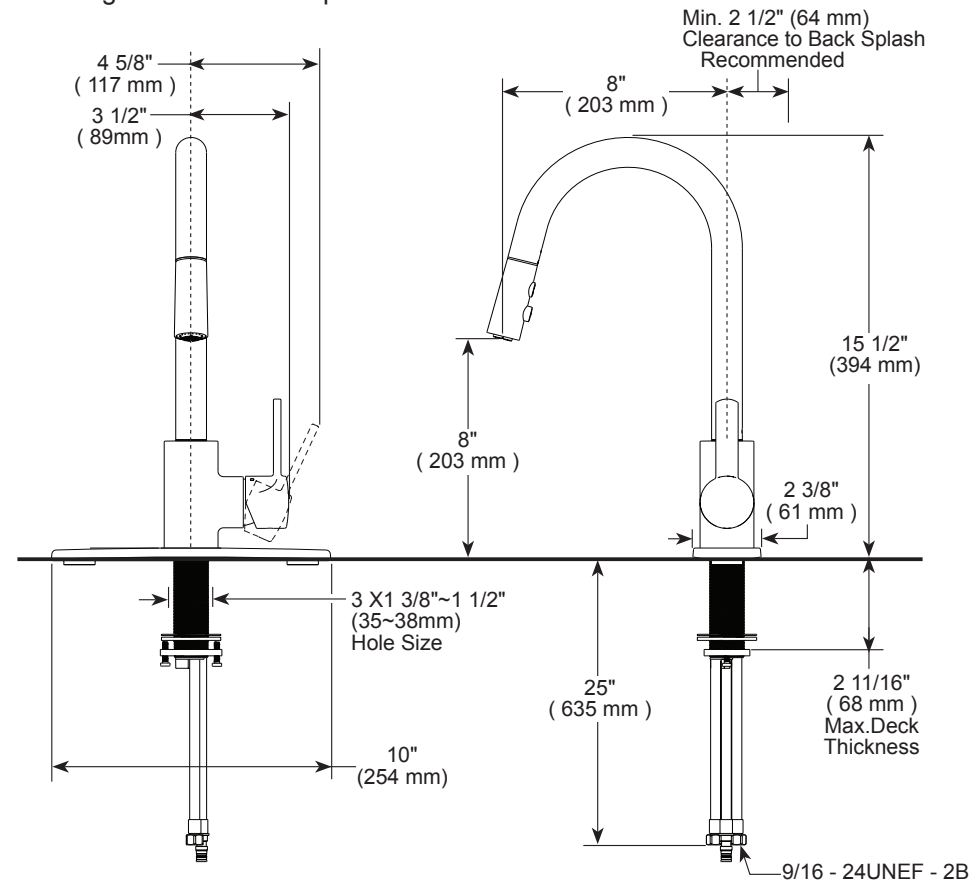


PEERLESS®

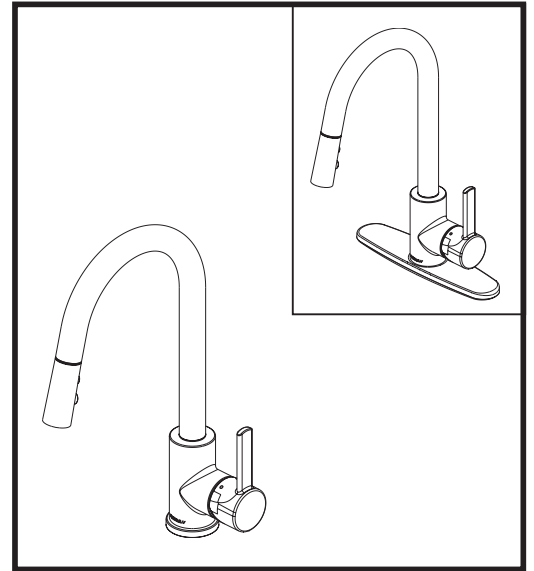
Mounting without escutcheon plate:



Mounting with escutcheon plate:



P7946LF-▲
P7946LF-▲-1.0



KITCHEN FAUCET:

- Precept® Collection
- Single Handle Pull-down
- 1 or 3 Hole Sink Applications

STANDARD SPECIFICATIONS:

- Max. flow rate 1.5 gpm @ 60 psi, 5.7 L/min @ 414 kPa (P7946LF-▲)
- Max. flow rate 1.0 gpm @ 60 psi, 3.8 L/min @ 414 kPa (P7946LF-▲-1.0)
- One or three hole mount (escutcheon optional, included)
- 2-function wand: aerated stream, spray
- Ceramic cartridge
- Dual integral check valves in sprayer
- Spout rotates 360°
- Red/Blue indicator markings
- Polymer braided flexible supply hose with 3/8" compression fitting - 25" (635 mm) long

WARRANTY

- Parts and Finish – Lifetime limited warranty; or for commercial purchasers, 10 years for multi-family residential (apartments and condominiums) and 5 years for all other commercial uses, in each case from the date that the product is received by the original purchaser or their authorized representative (installation contractor, etc.).
- Please go to www.peerlessfaucet.com for the complete details of our limited warranty.

COMPLIES WITH:

- ASME A112.18.1 / CSA B125.1
- ♿ ICC/ANSI A117.1 – Valve control only