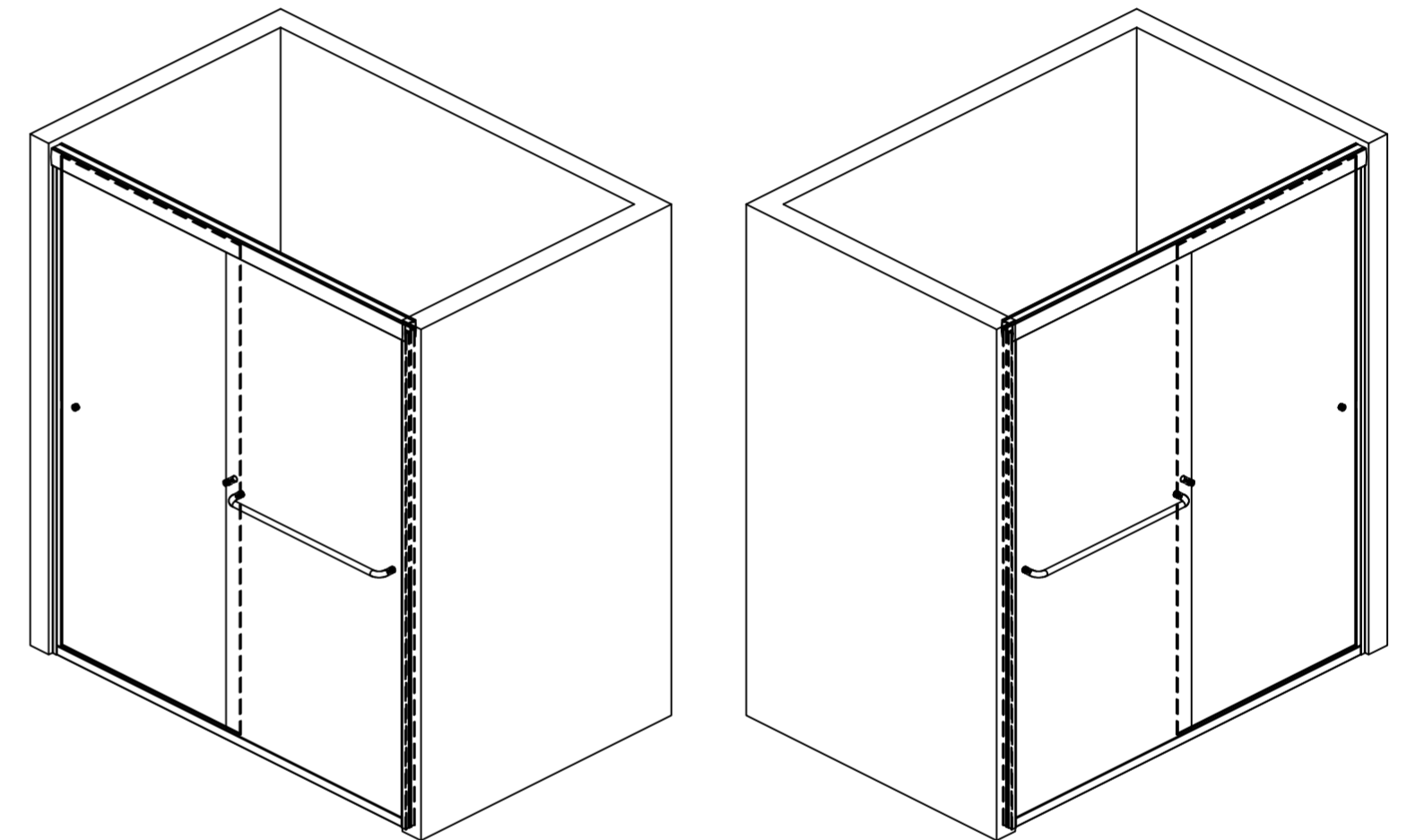
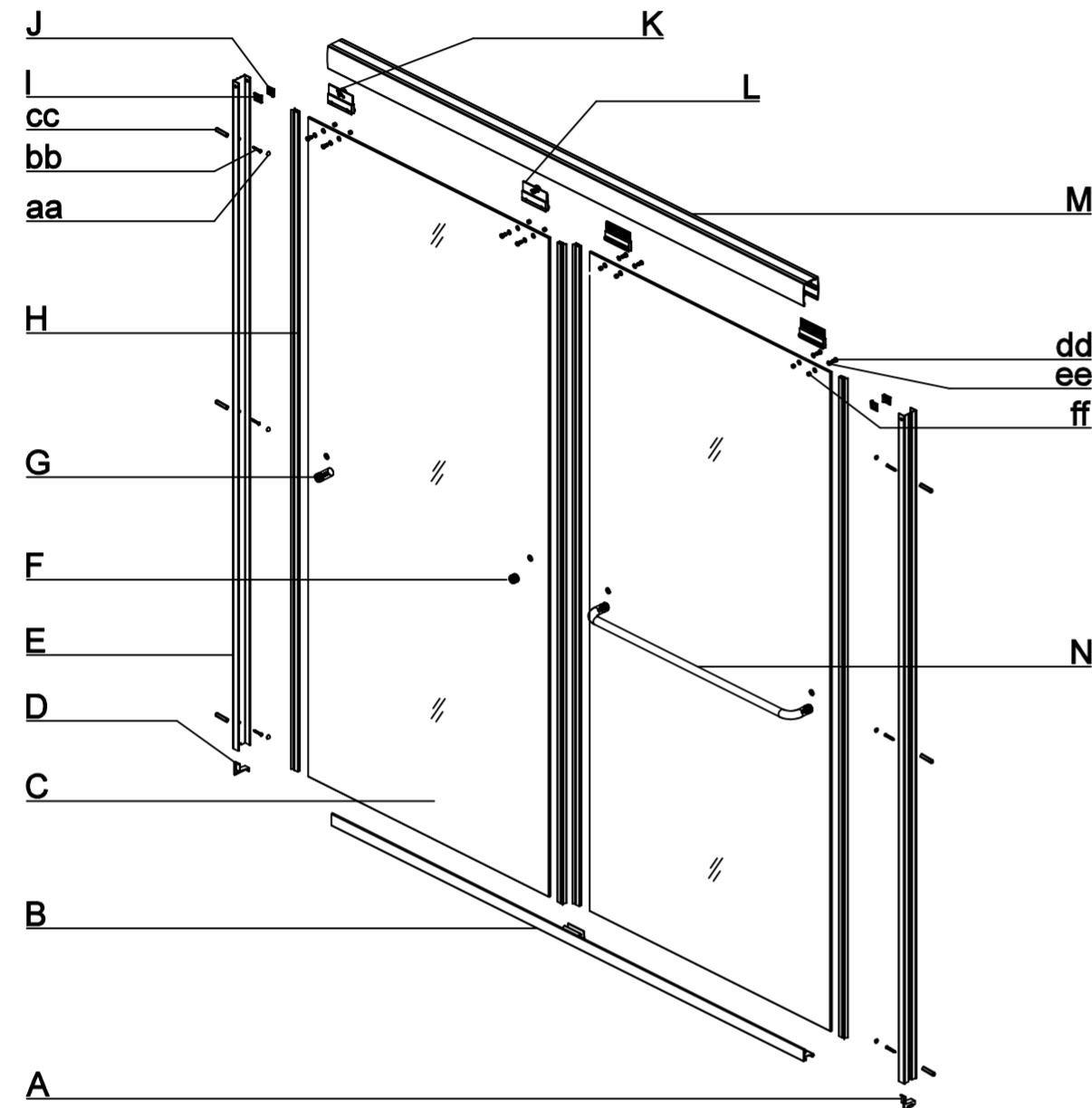


Shower Door Installation Instructions



! Reversible For a Left or Right Door

PACKAGE CONTENT

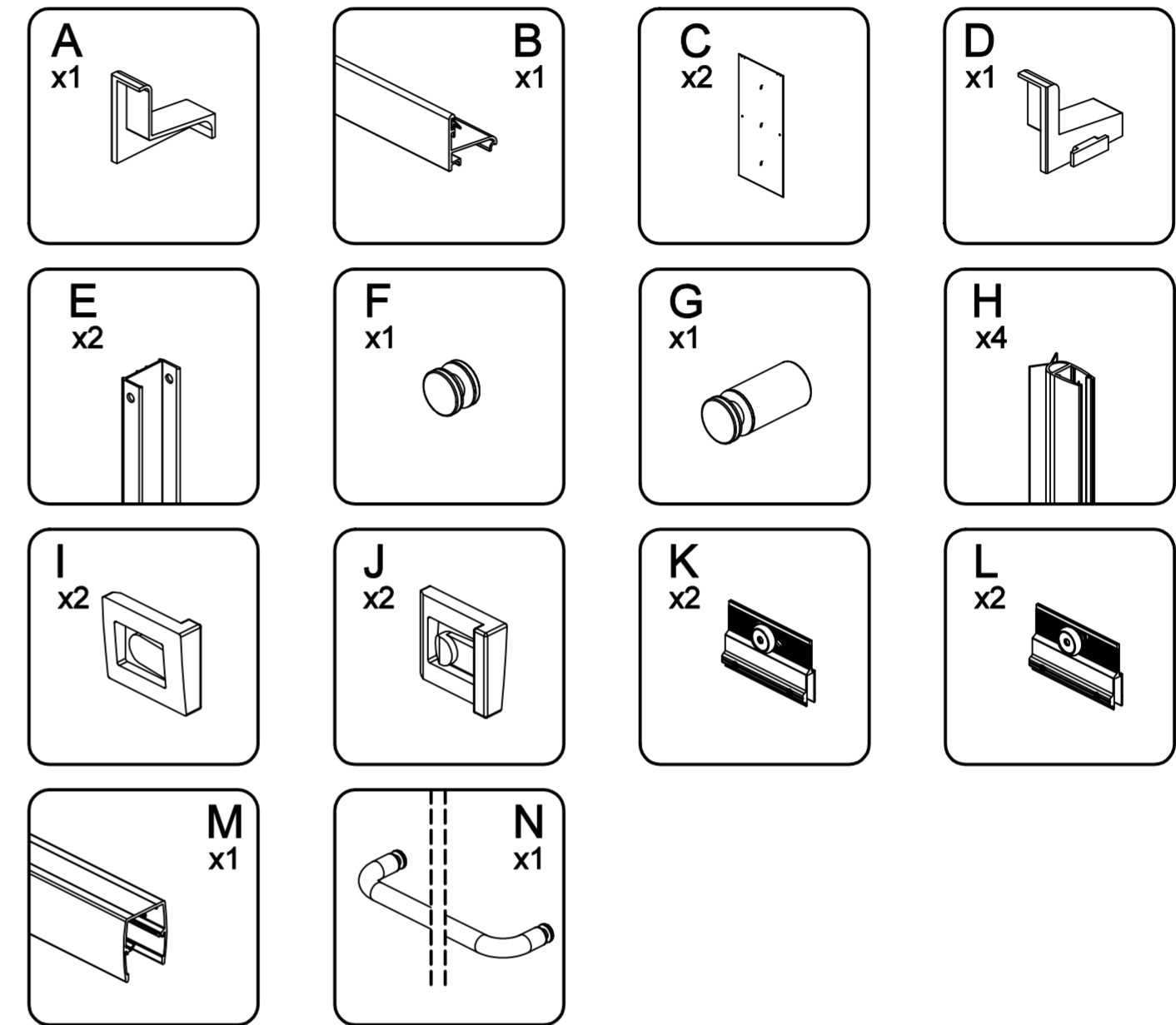


PACKAGE CONTENT

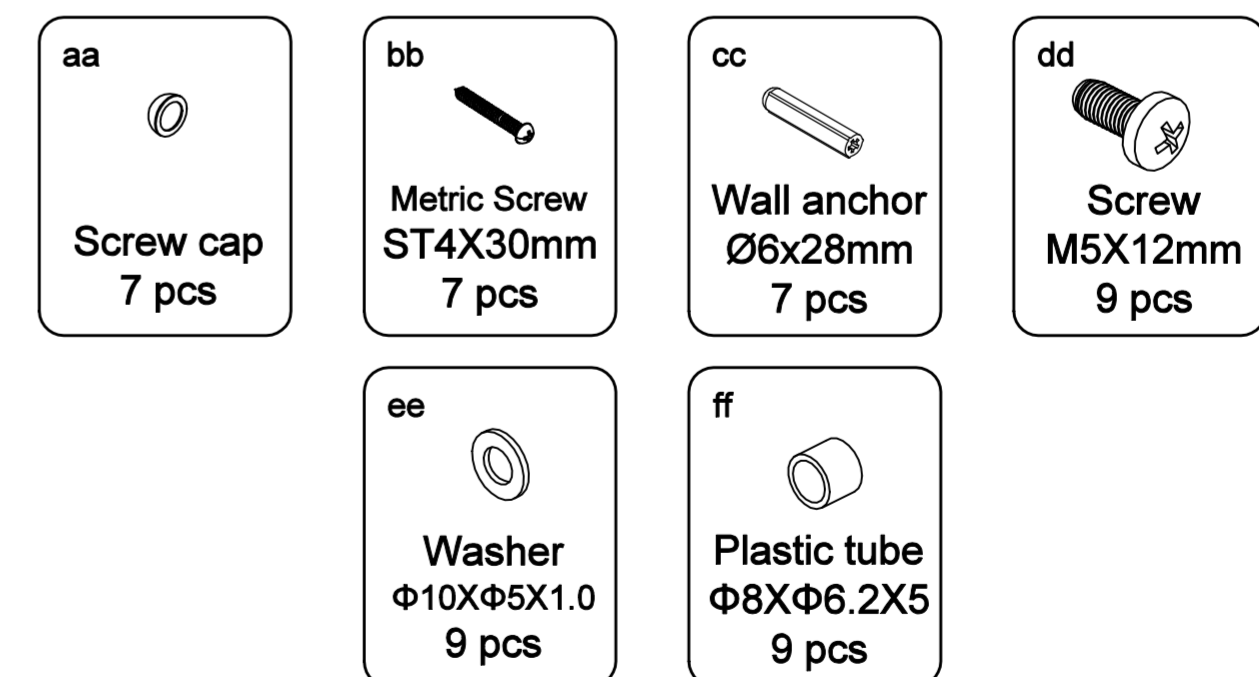
PART#	DESCRIPTION	QTY
A	Bottom threshold cap (R)	1
B	Bottom threshold	1
C	Glass door	2
D	Bottom threshold cap (L)	1
E	Wall channel	2
F	Knob A	1
G	Knob B	1
H	Pvc seal	4

PART#	DESCRIPTION	QTY
I	Top track lock (L)	2
J	Top track lock (R)	2
K	Roller set (L)	2
L	Roller set (R)	2
M	Top track	1
N	Handle	1

PACKAGE CONTENT

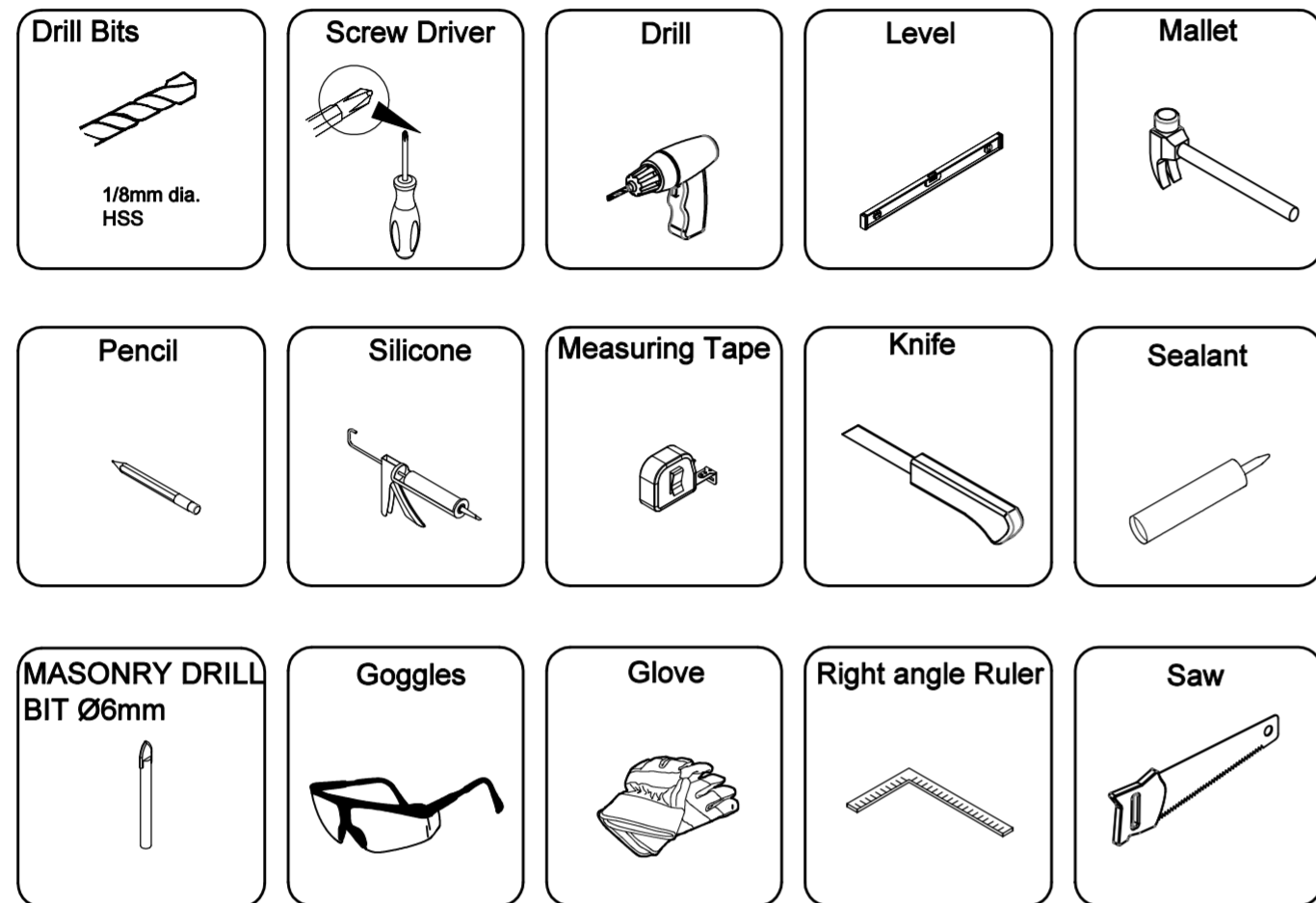


HARDWARE CONTENT



★One piece for each as spare part!

TOOLS REQUIRED



SAFETY INFORMATION

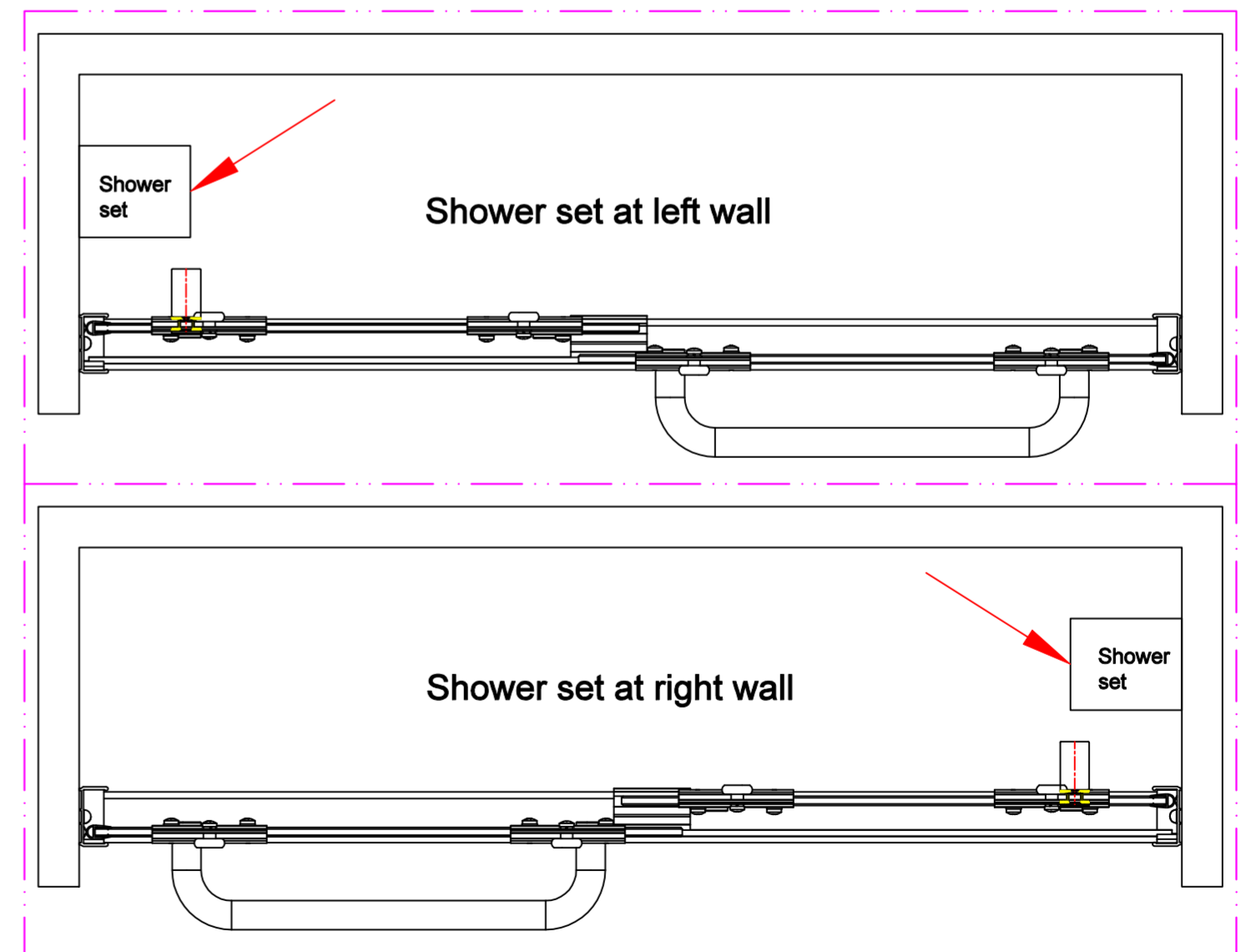
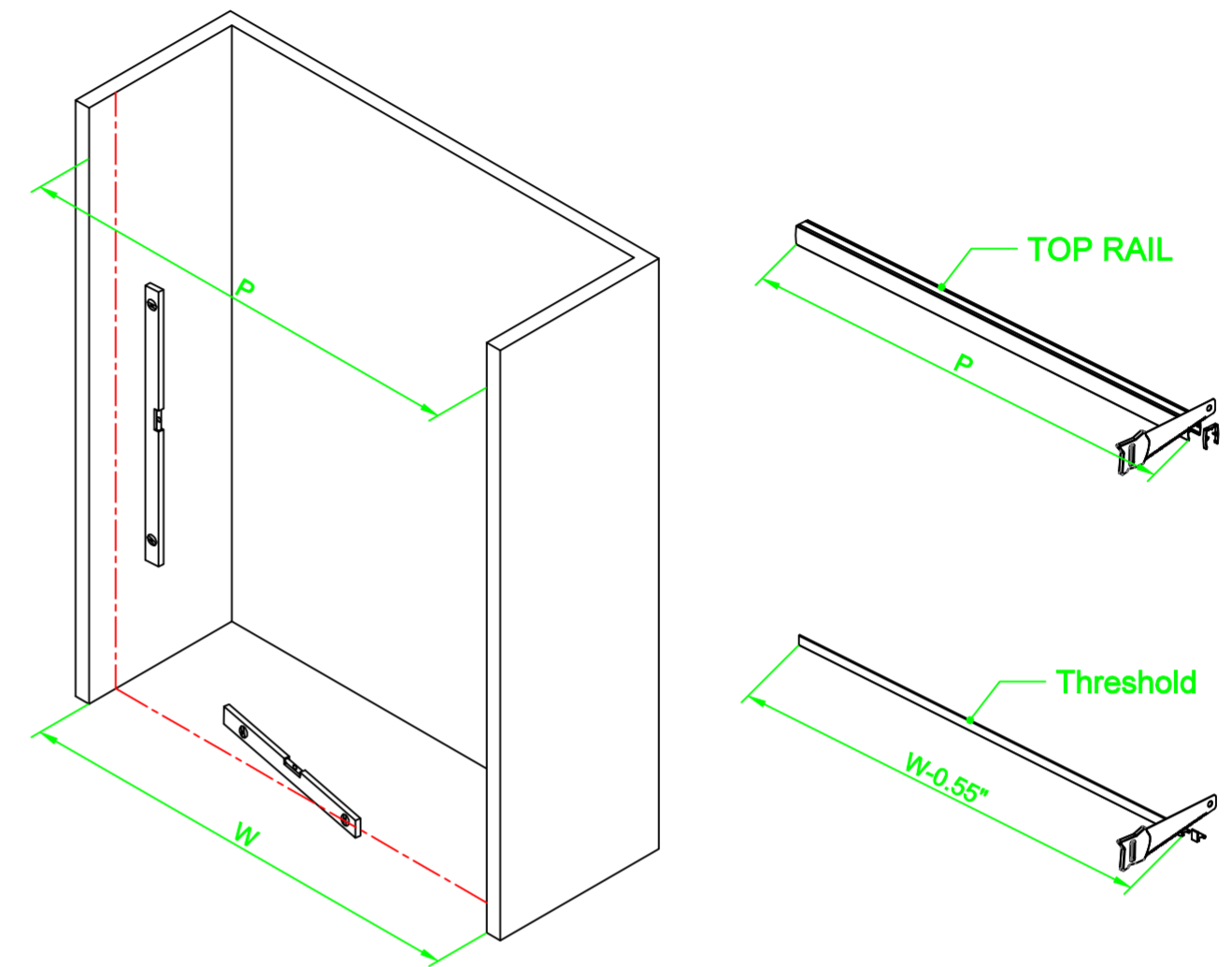
CAUTION

Please carefully read the following important safety information before handling or installing this shower. There is a risk of serious injury while handling this product. To minimize these risks, please note:

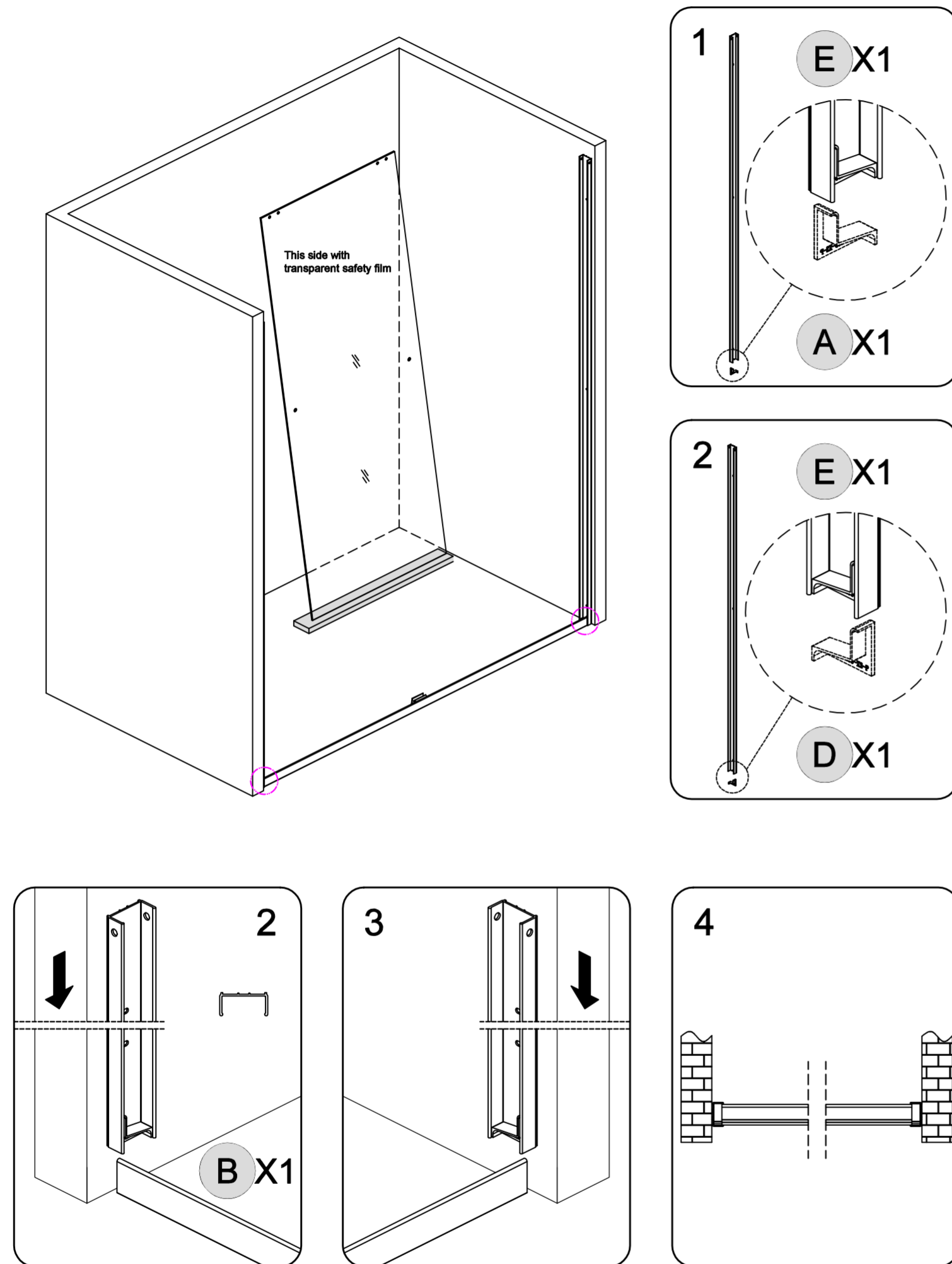
- Always wear safety glasses and gloves while handling.
- Always read and follow all the steps in the installation instructions.
- Inspect all contents and glass for damage before installation.
- Extreme caution should be taken while handling the glass during installation as the tempered glass may shatter if in contact with a hard surface.
- Handle the tempered glass with caution! Improperly handling the glass can cause it to break suddenly in small pieces (never in pointed fragments).
- Always take all precautions not to touch the tempered glass with any tools during the installation, or after installed.
- Do not cut or modify the tempered glass as it will shatter if cut.
- Carefully remove product from packaging and keep packaging until installation is complete.
- Inspect all parts for damage; if there is damage to the unit prior to installation, please contact customer service at the number provided in this guide.
- Install the shower on a floor that is level and able to accommodate the weight of the unit and an occupant.
- Consult local building codes and compliance standards prior to installation and ensure conformity.
- After installation, and from time to time, check the glass for fit and finish to ensure that nothing has come loose since installation.
- Keep this installation manual for future reference.

NOTE: Heavy product ! You will need at least two people to install this unit properly.

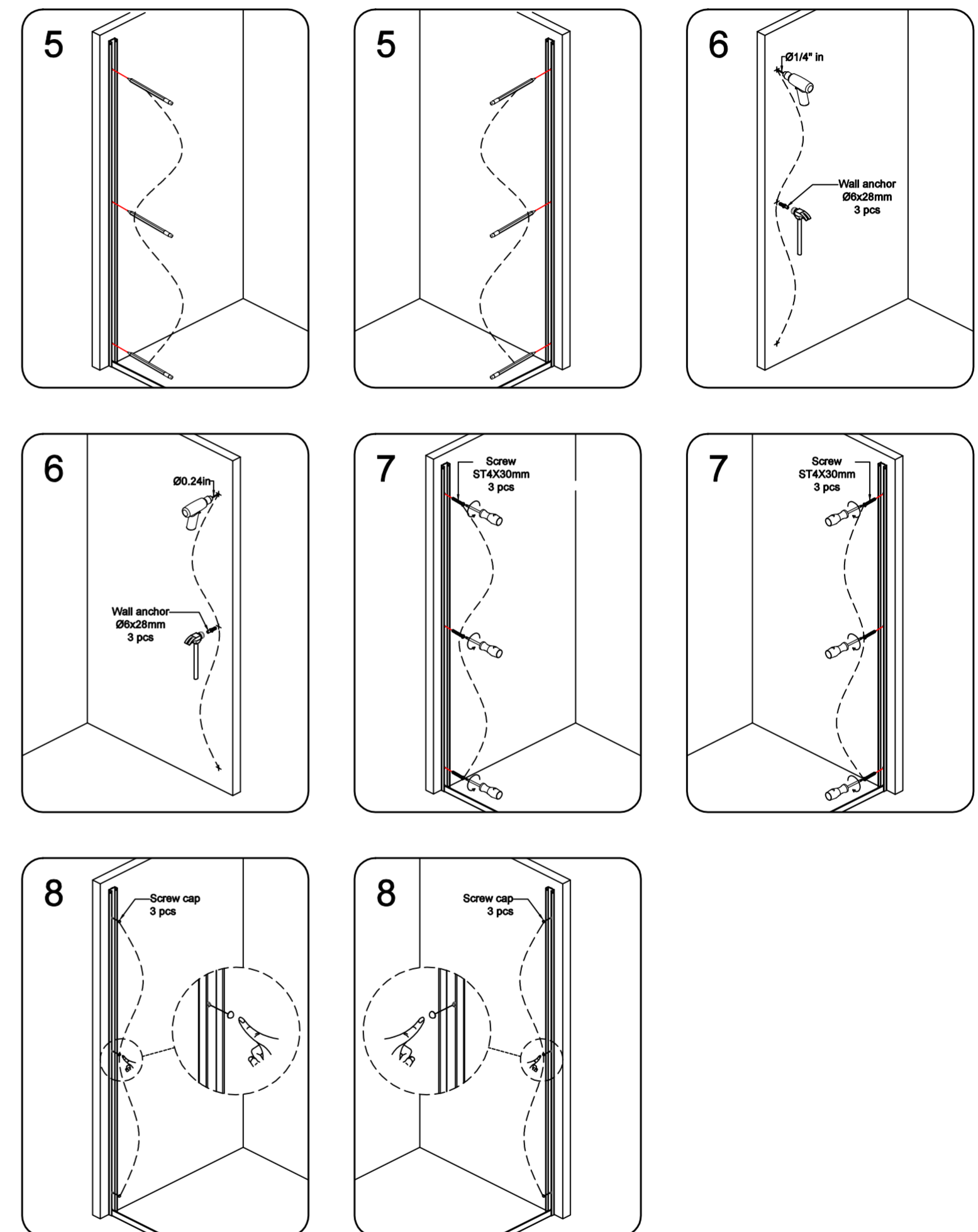
1. Determine the width of walls



2.Threshold and wall channels installation

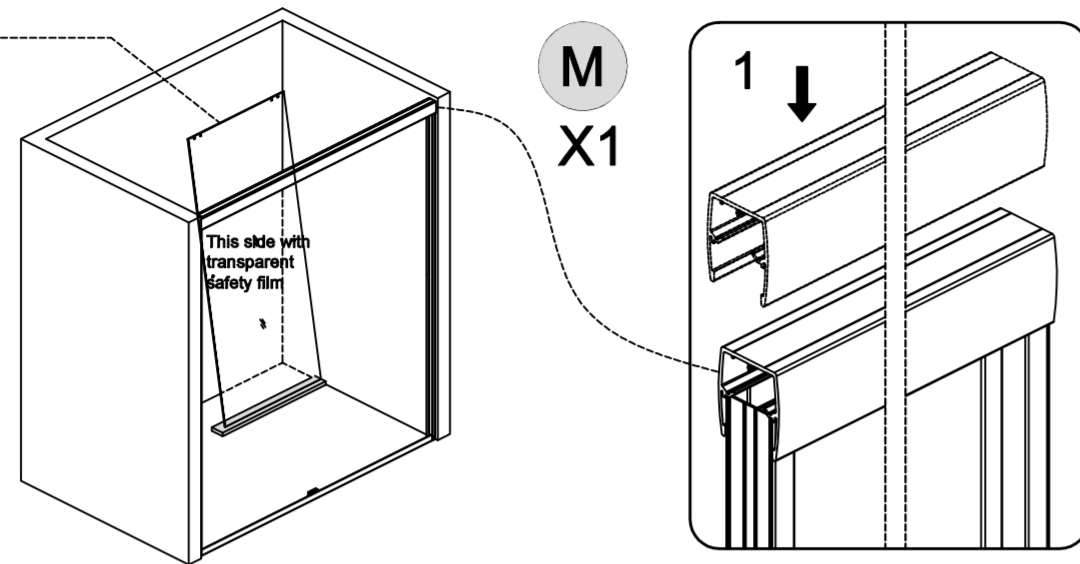


2.Threshold and wall channels installation

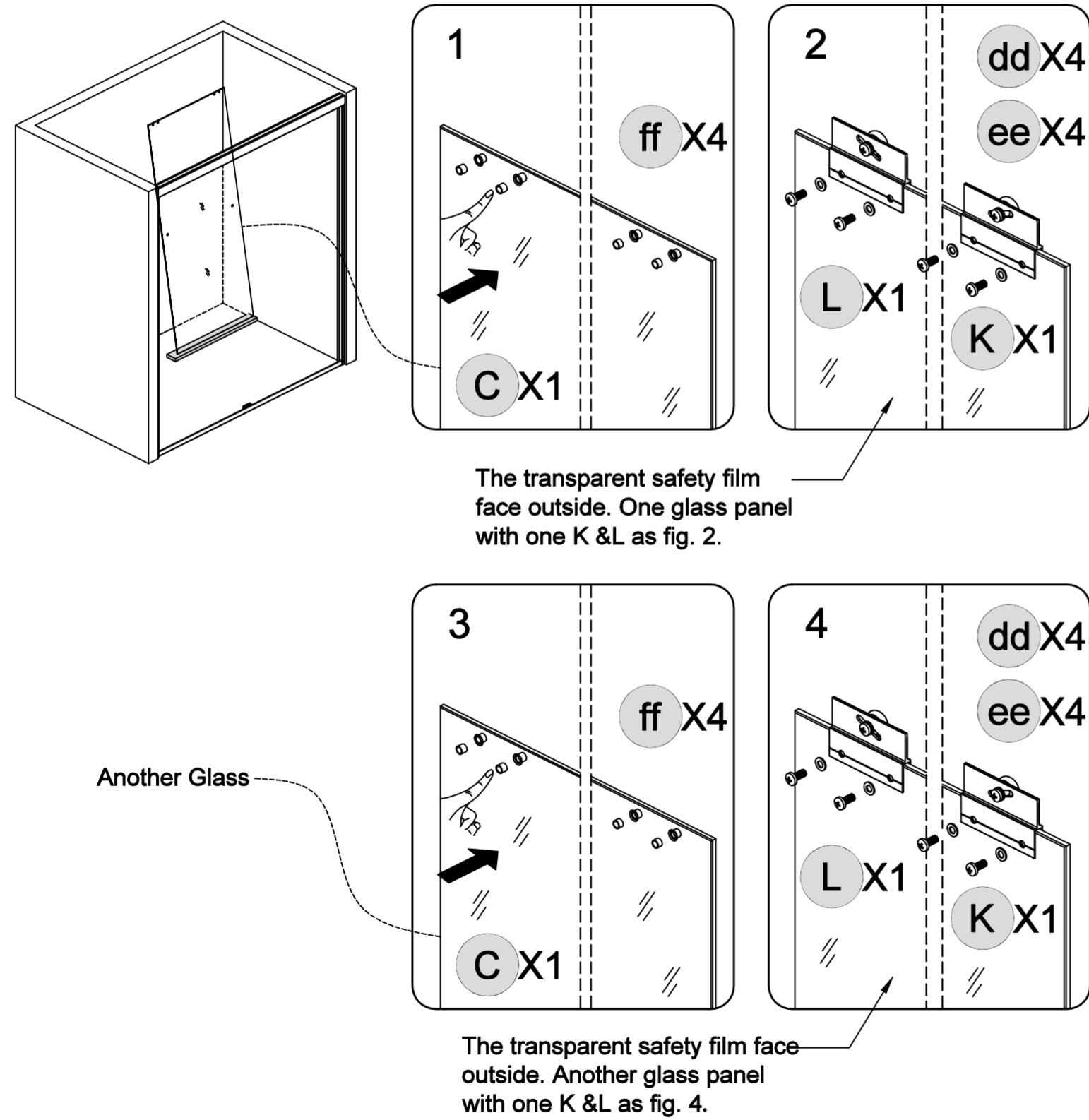


3. Top rail installation

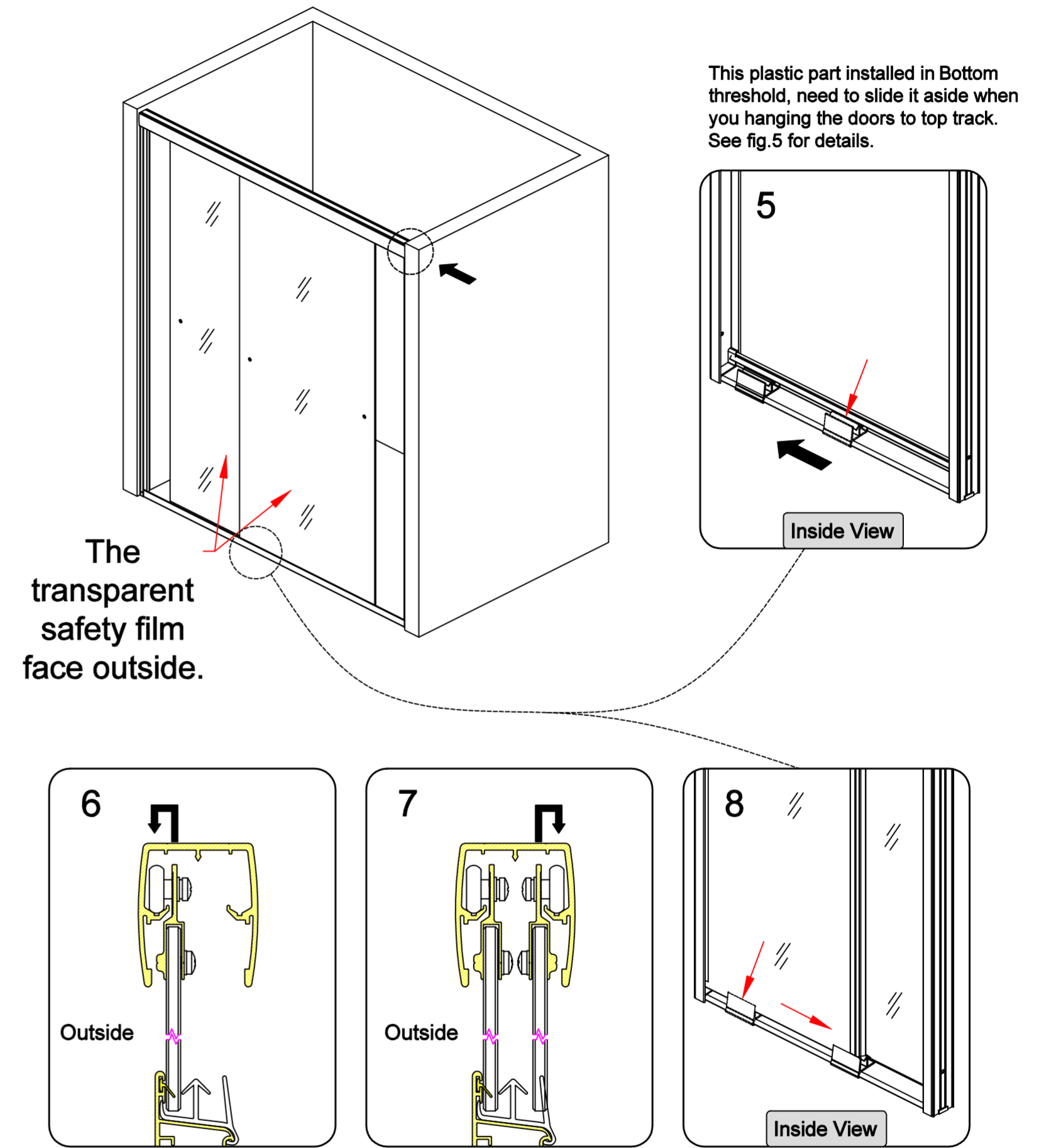
Caution:
Put one glass panel inside the shower place before install the top track.



4. GLASS DOOR INSTALLATION

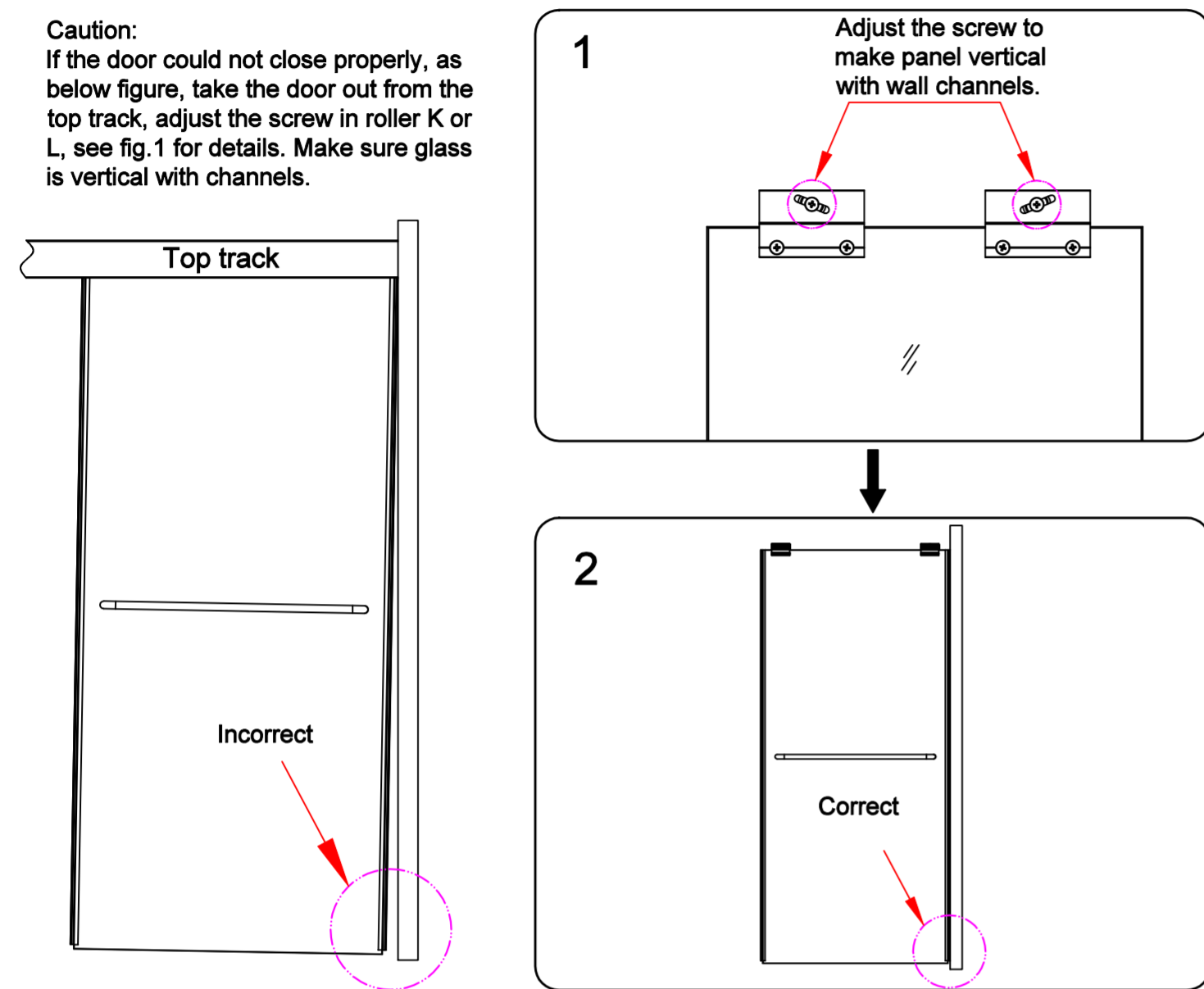


5. GLASS DOOR INSTALLATION

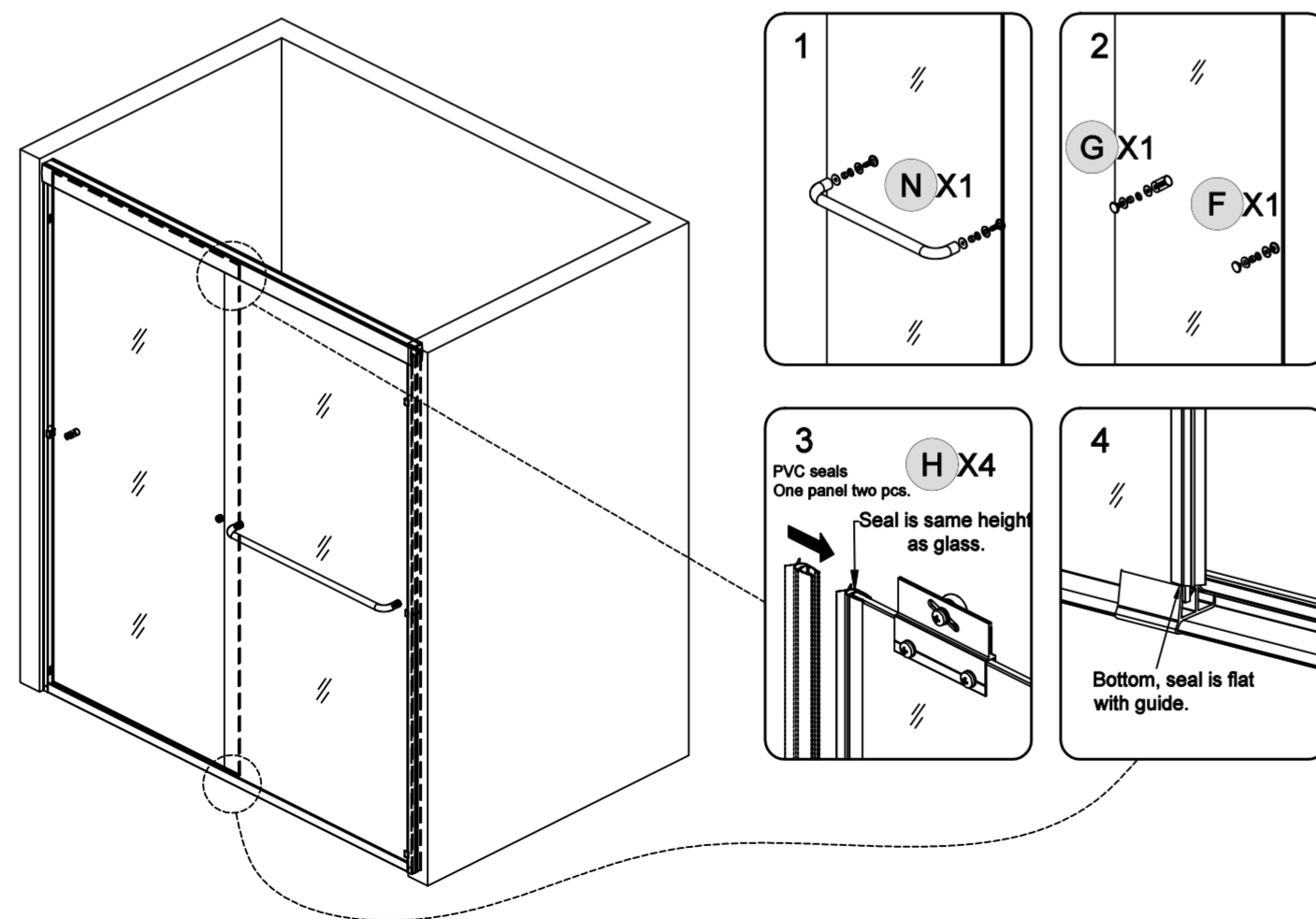


6. Adjust the glass panel if need

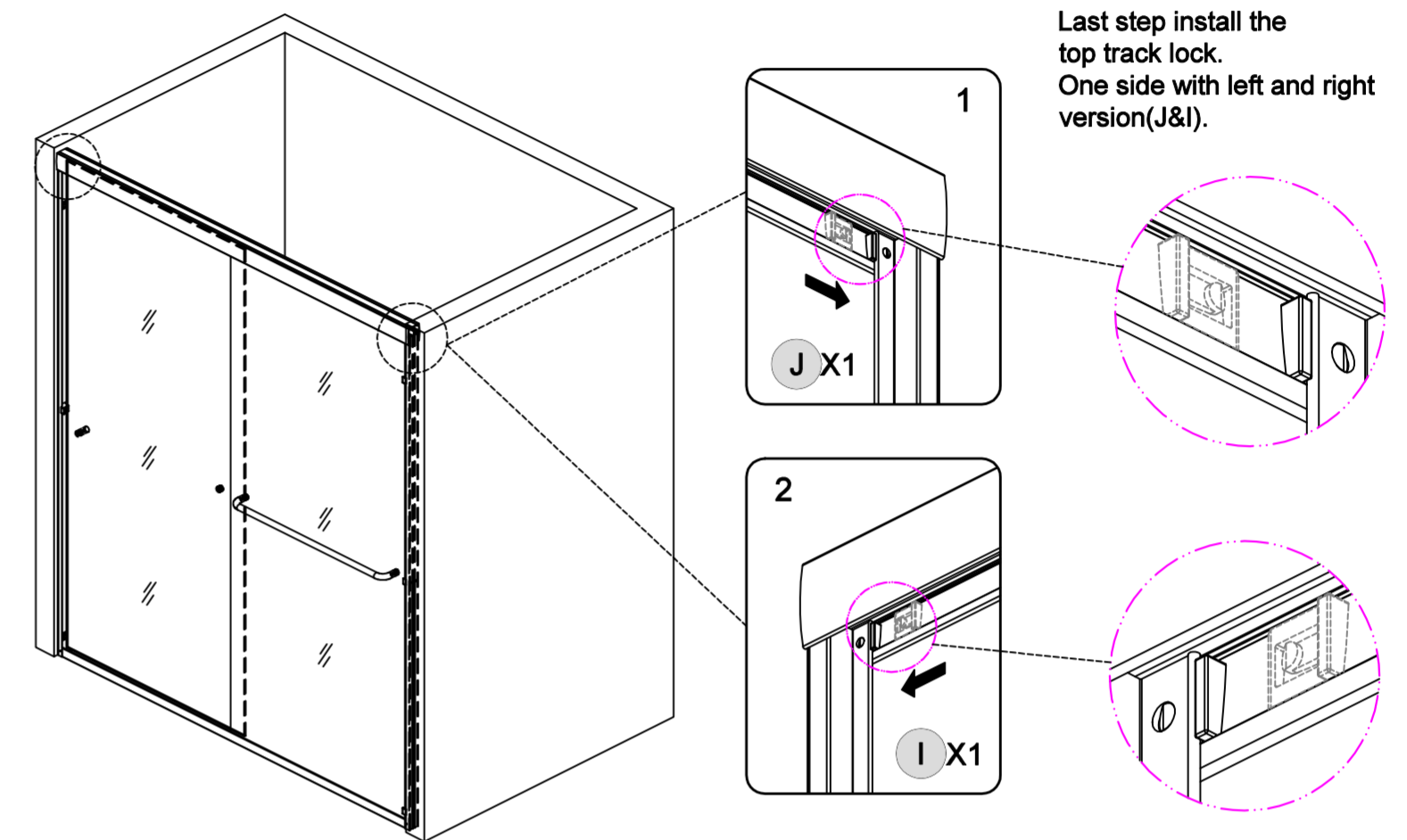
Caution:
If the door could not close properly, as below figure, take the door out from the top track, adjust the screw in roller K or L, see fig. 1 for details. Make sure glass is vertical with channels.



7. Handle and PVC seals installation

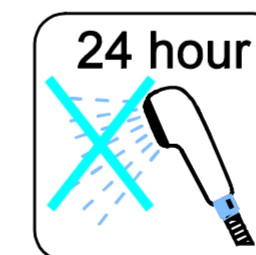


8. Top track lock installation



9. Sealing

Ensure that the Shower door closes tightly and opens smoothly.
Apply a good quality silicone sealant along the two wall channels and threshold.
Allow 24 hours for silicone to dry before use.



! Apply Silicone Sealant, (not supplied).

