

## DEVI - A

CLOSET

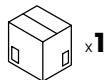
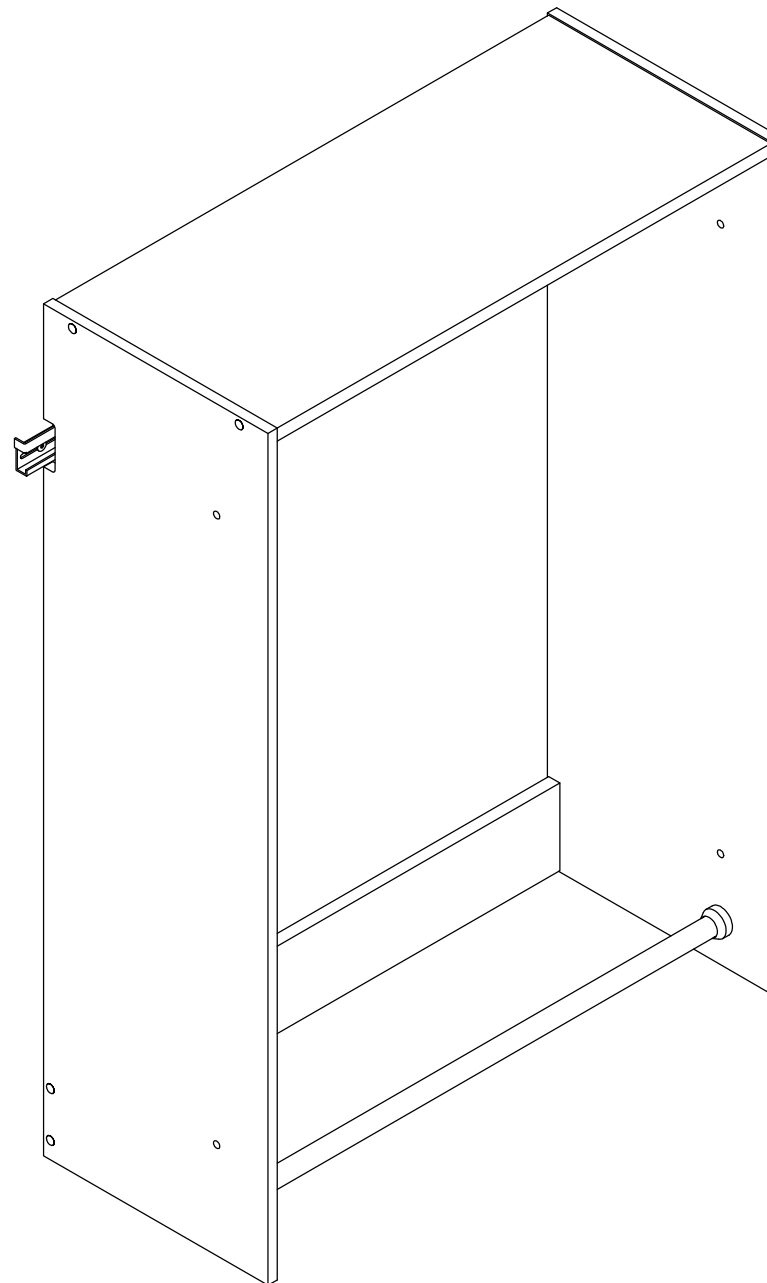
## PLEASE READ

Thank you for purchasing this quality product.  
A list of **PARTS** and **INSTRUCTIONS** are included to assist you.  
Unpack and identify all parts included on the **PARTS LIST** and **HARDWARE LIST**.

Please retain all packaging until you are sure no parts and hardware are missing, then once you are satisfied with the product please dispose of all packaging responsibly.

If you require any additional information or help on assembly, please contact us at [sales@garagetechusa.com](mailto:sales@garagetechusa.com)

To expedite service, please indicate the model number and part number (letter code) of the part(s) needed.



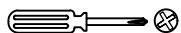
x1



60 minutes  
2 Persons Assembly

Additional tools required:

Cross point screwdriver



# IMPORTANT! READ CAREFULLY AND RETAIN FOR FUTURE REFERENCE

---

Due to small parts keep children clear during assembly.

Ensure all fittings are fully tightened before use and checked regularly and re-tightened as necessary.

When positioning your furniture ensure the ground is firm, level and dry.

Do not position your furniture in direct sunlight or close to a source of heat.

Take care when handling or moving furniture, always lift with assistance to avoid damaging your product.

## **WARNING!**

**Serious or fatal crushing injuries can occur from furniture tipping over.**

**To help prevent this please observe the following:**

Do not let children climb or hang on the drawers, doors or shelves.

Place heaviest items in the lower drawers or shelves.

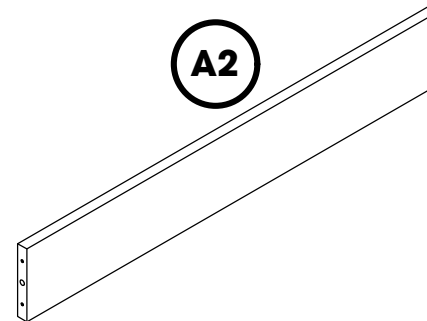
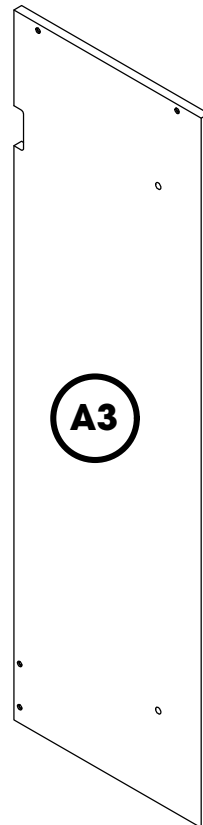
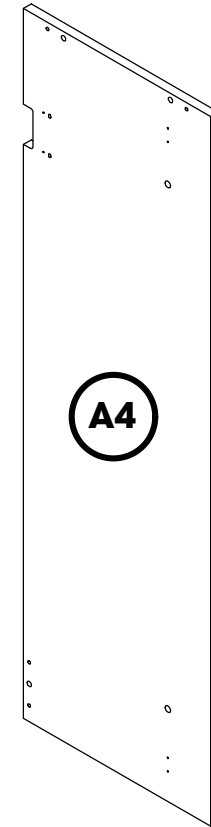
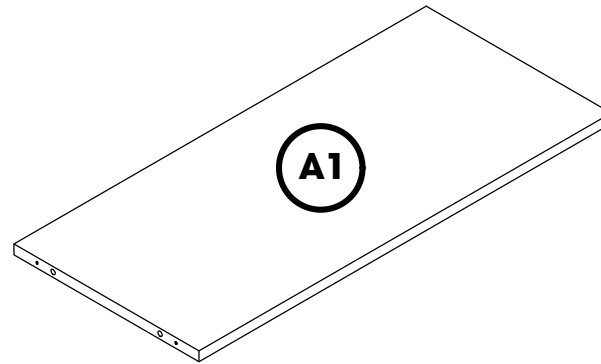
Do not place heavy objects on top of this product unless it has been specifically designed to support them.

Never open more than one drawer at a time.

If you require any additional information or help on assembly, please contact us at [sales@garagetechusa.com](mailto:sales@garagetechusa.com)

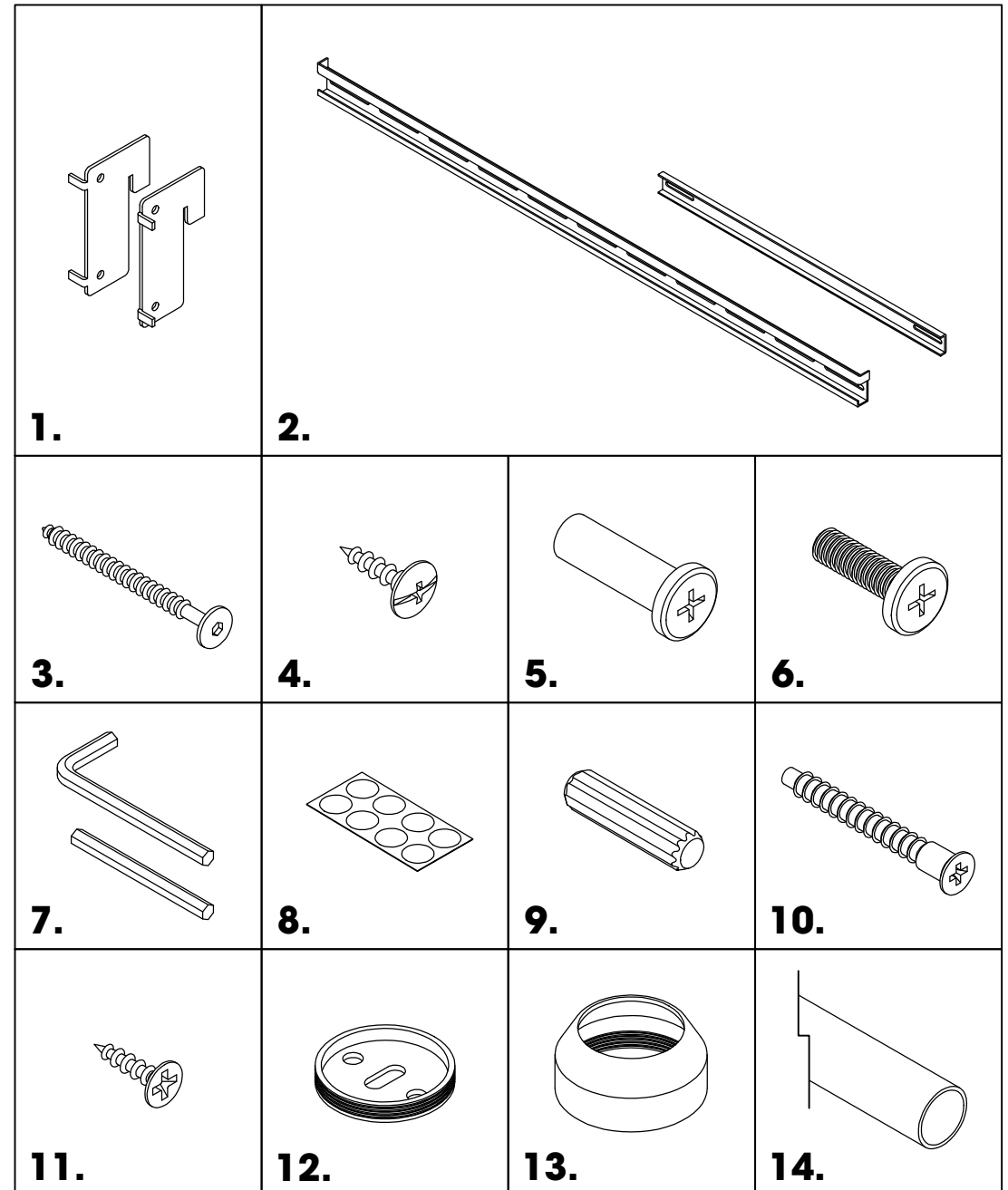
# PARTS LIST

- A1.** Fixed shelf ----- 1pc
- A2.** Back stretcher ----- 1pc
- A3.** Left side ----- 1pc
- A4.** Right side ----- 1pc

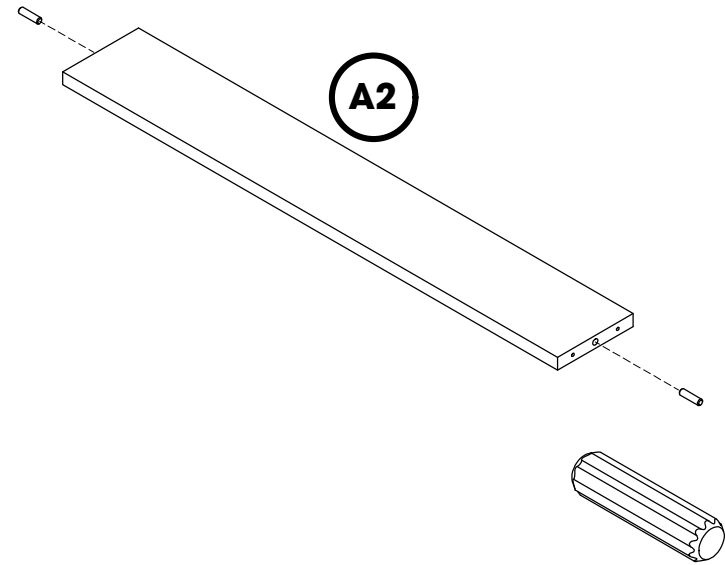
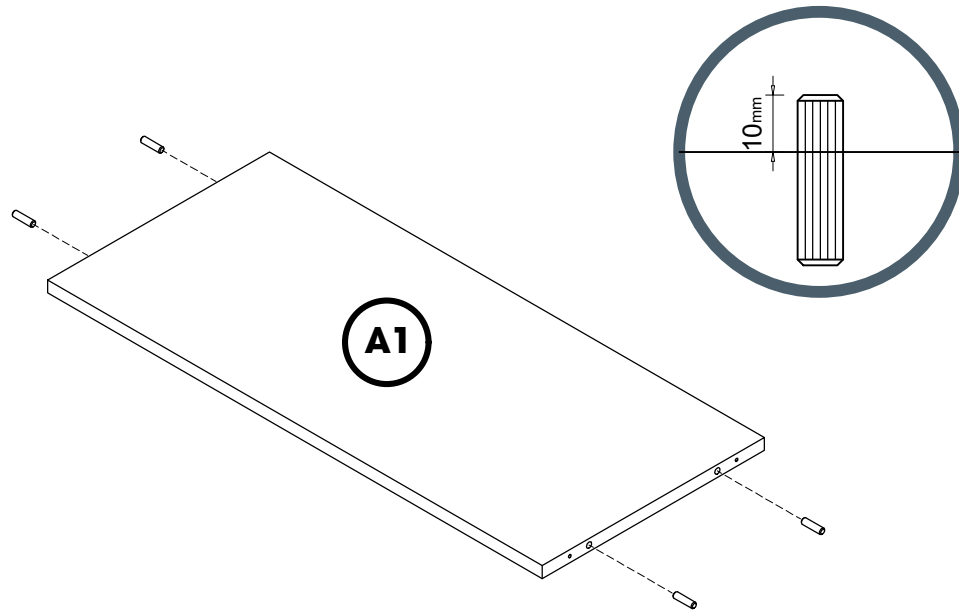


# HARDWARE LIST

- 1.** Hook ..... 1set
- 2.** Wall Bracket ..... 1set
- 3.** Wooden screw M6 x 70 ..... 4pcs
- 4.** Pan head screw M4 x 15 ..... 4pcs
- 5.** Sleeve nut M6 x 25 ..... 2pcs
- 6.** Bolt M6 x 20 ..... 2pcs
- 7.** Allen key ..... 1set
- 8.** Screw hole cover sticker ..... 8pcs
- 9.** Wood dowel 8 x 30 ..... 6pcs
- 10.** Confirmat screw M5 x 40 ..... 8pcs
- 11.** Flat head screw M3.5 x 15 ..... 8pcs
- 12.** Hanger holder A ..... 4pcs
- 13.** Hanger holder B ..... 4pcs
- 14.** Hanger ..... 2pcs

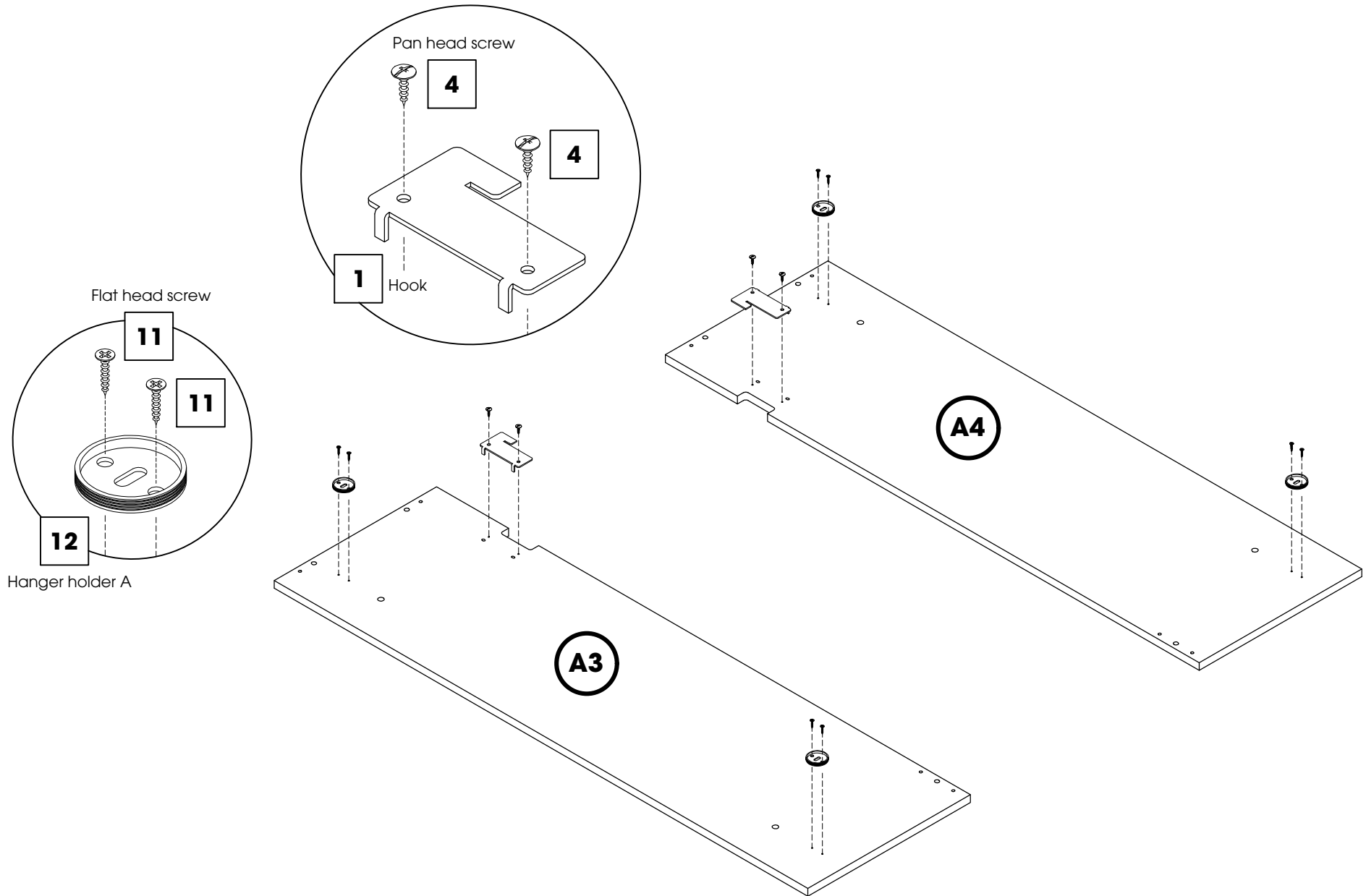


# STEP 1



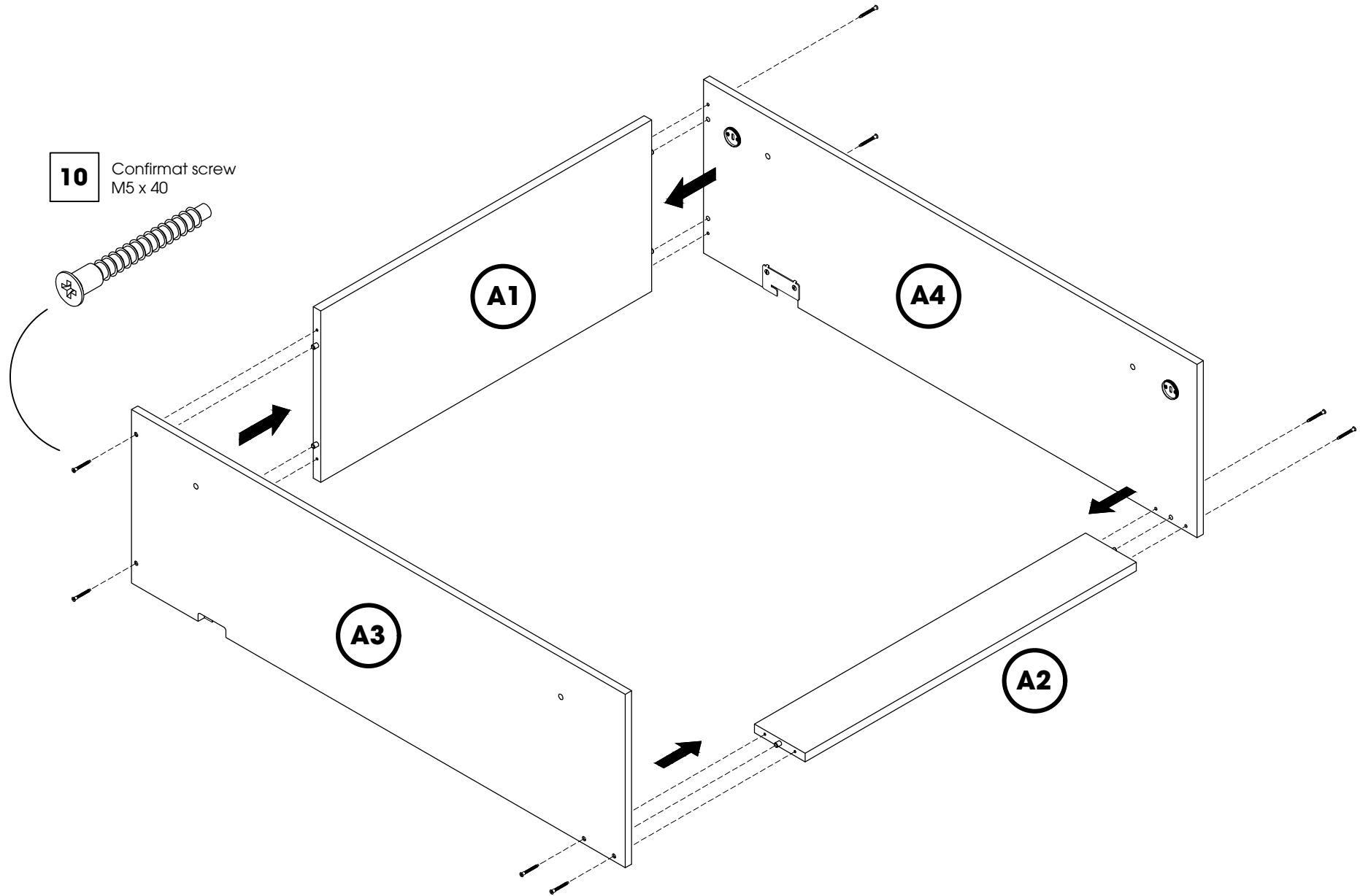
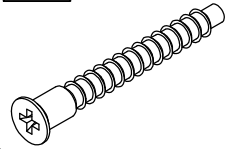
**9** Wood dowel  
8 x 30

# STEP 2

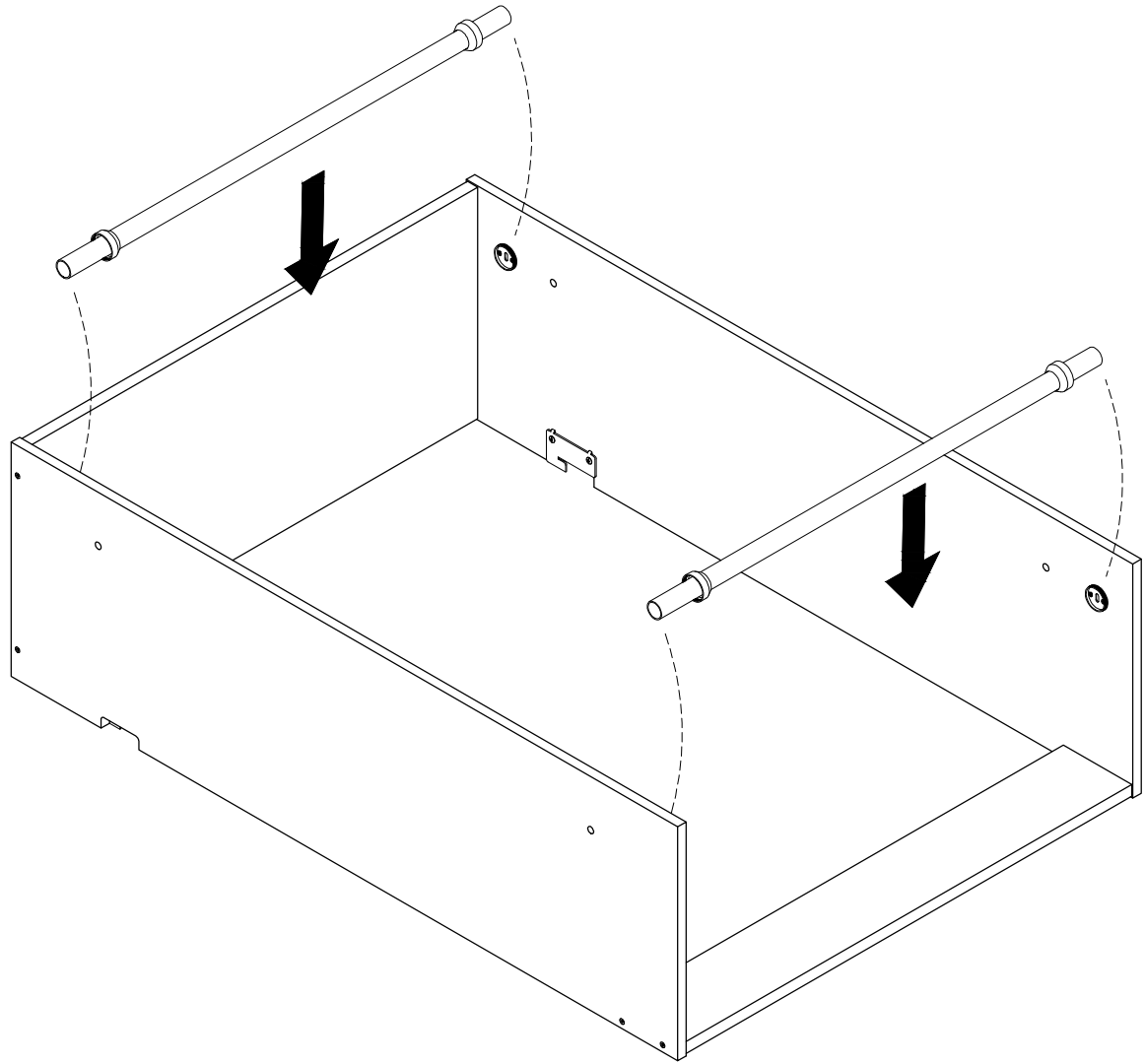
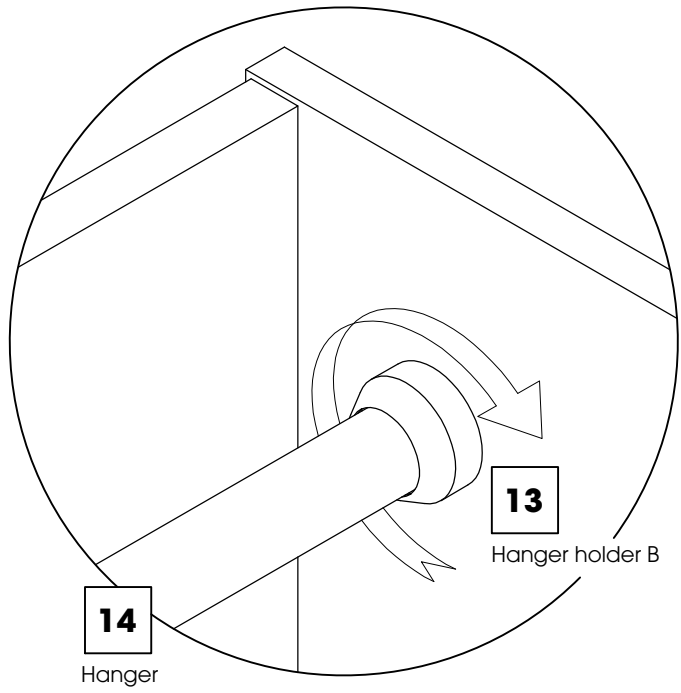


# STEP 3

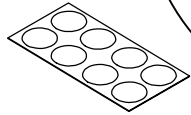
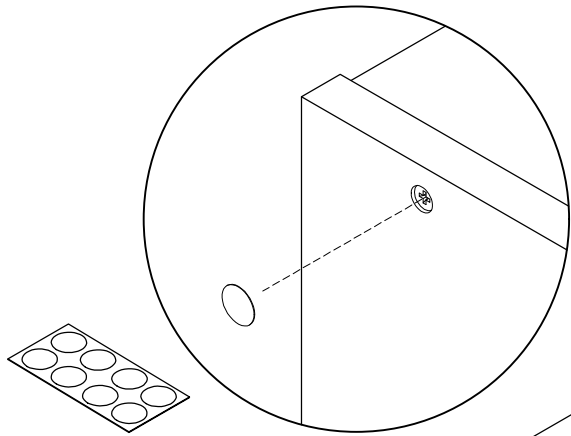
**10** Confirmat screw  
M5 x 40



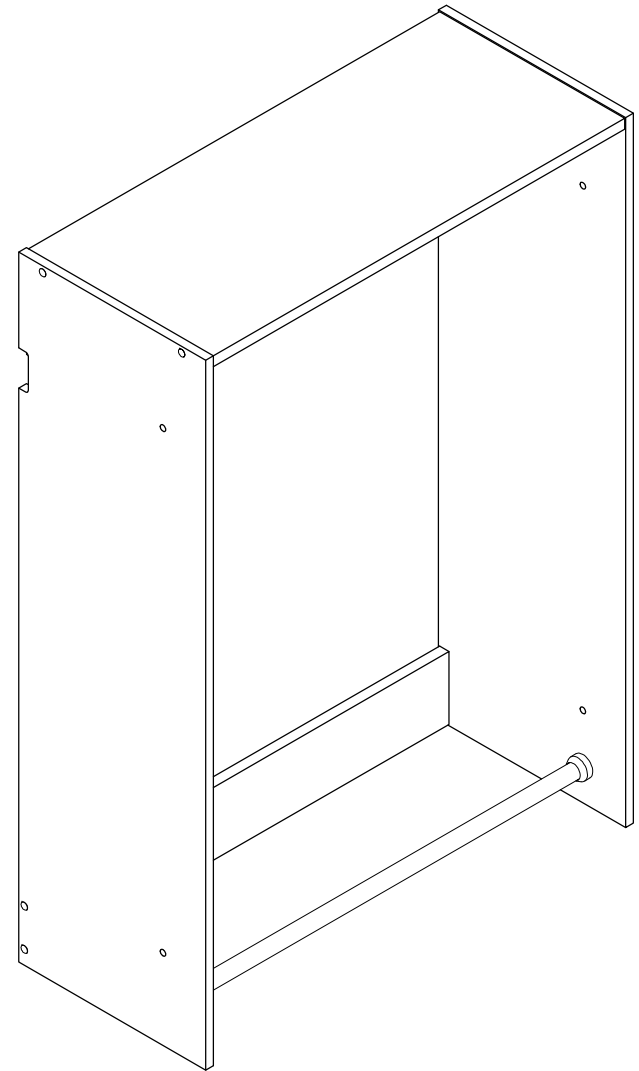
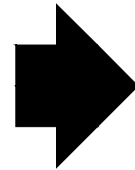
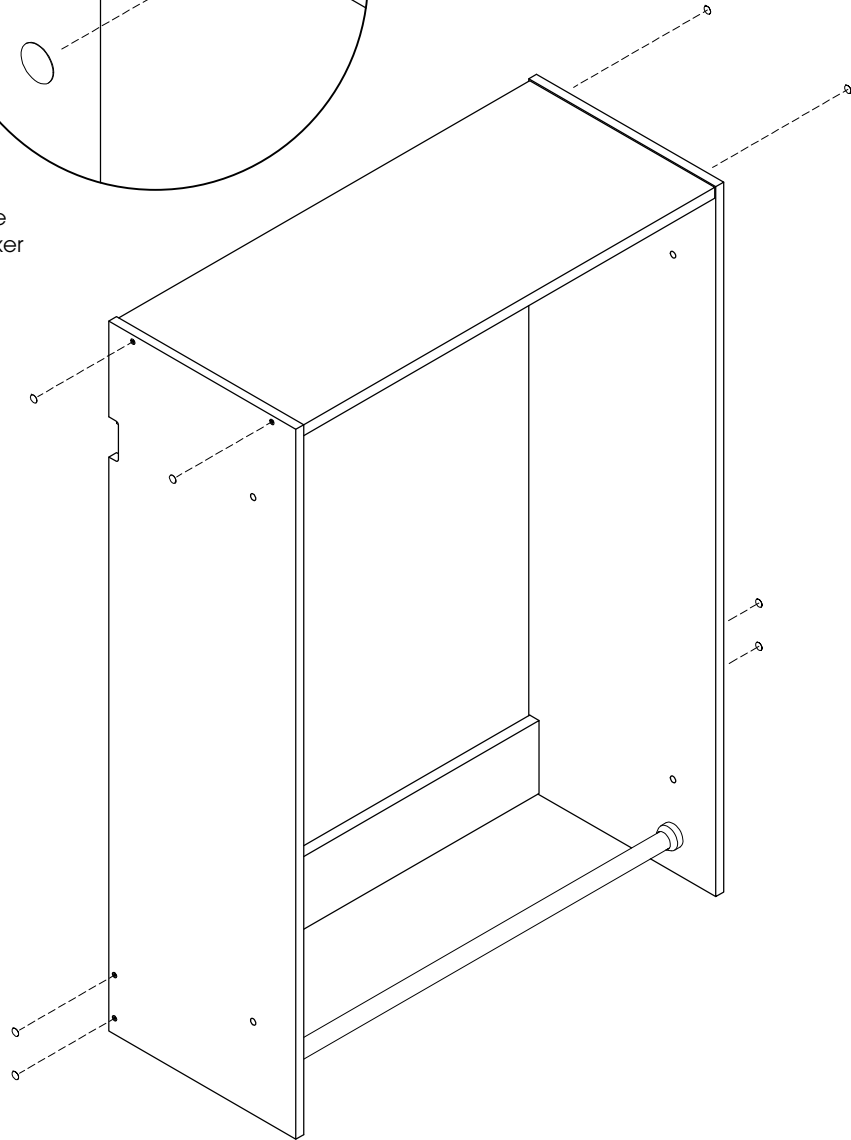
# STEP 4



# COMPLETE



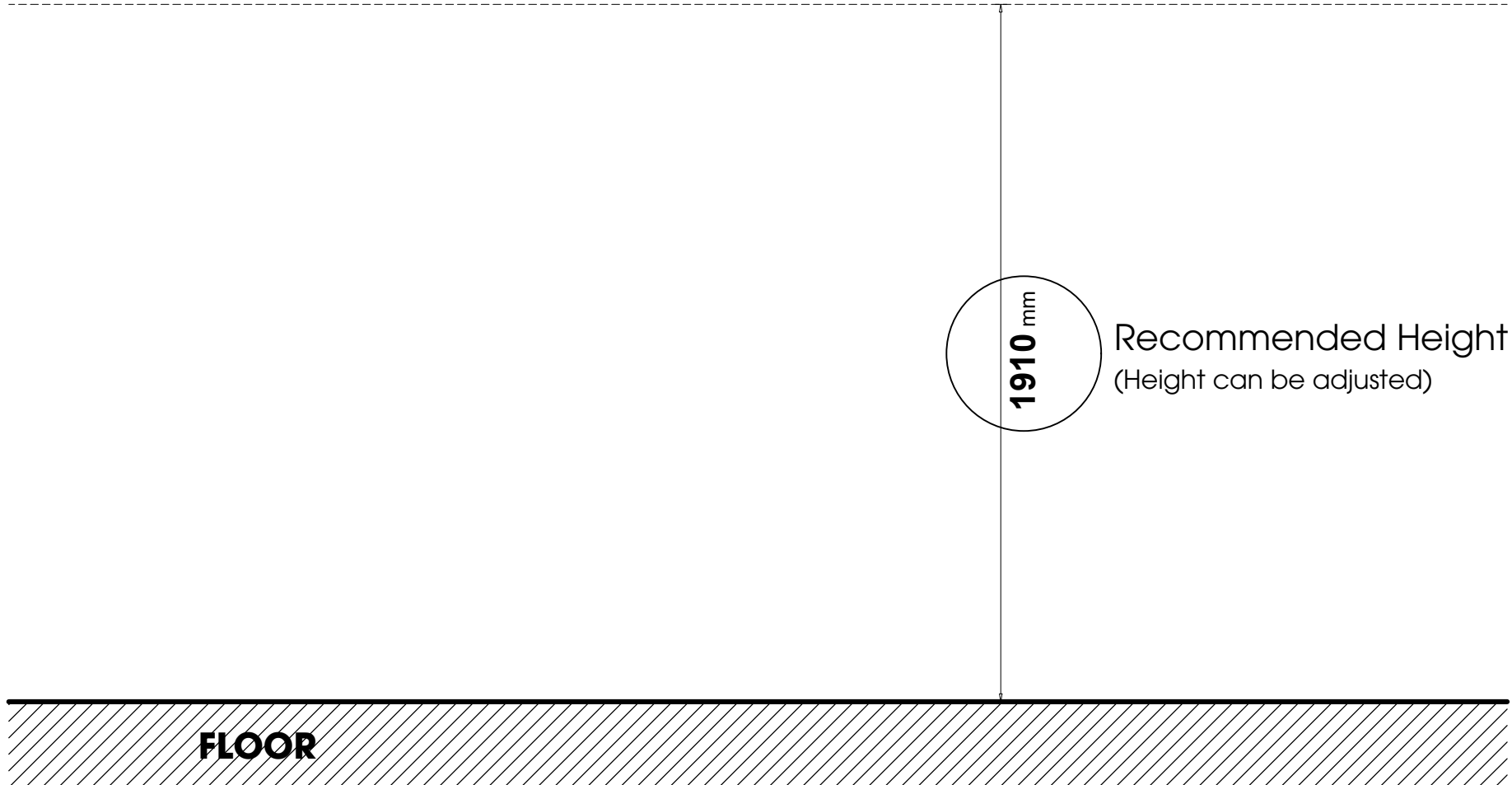
**8** Screw hole  
cover sticker



# WALL BRACKET INSTALLATION

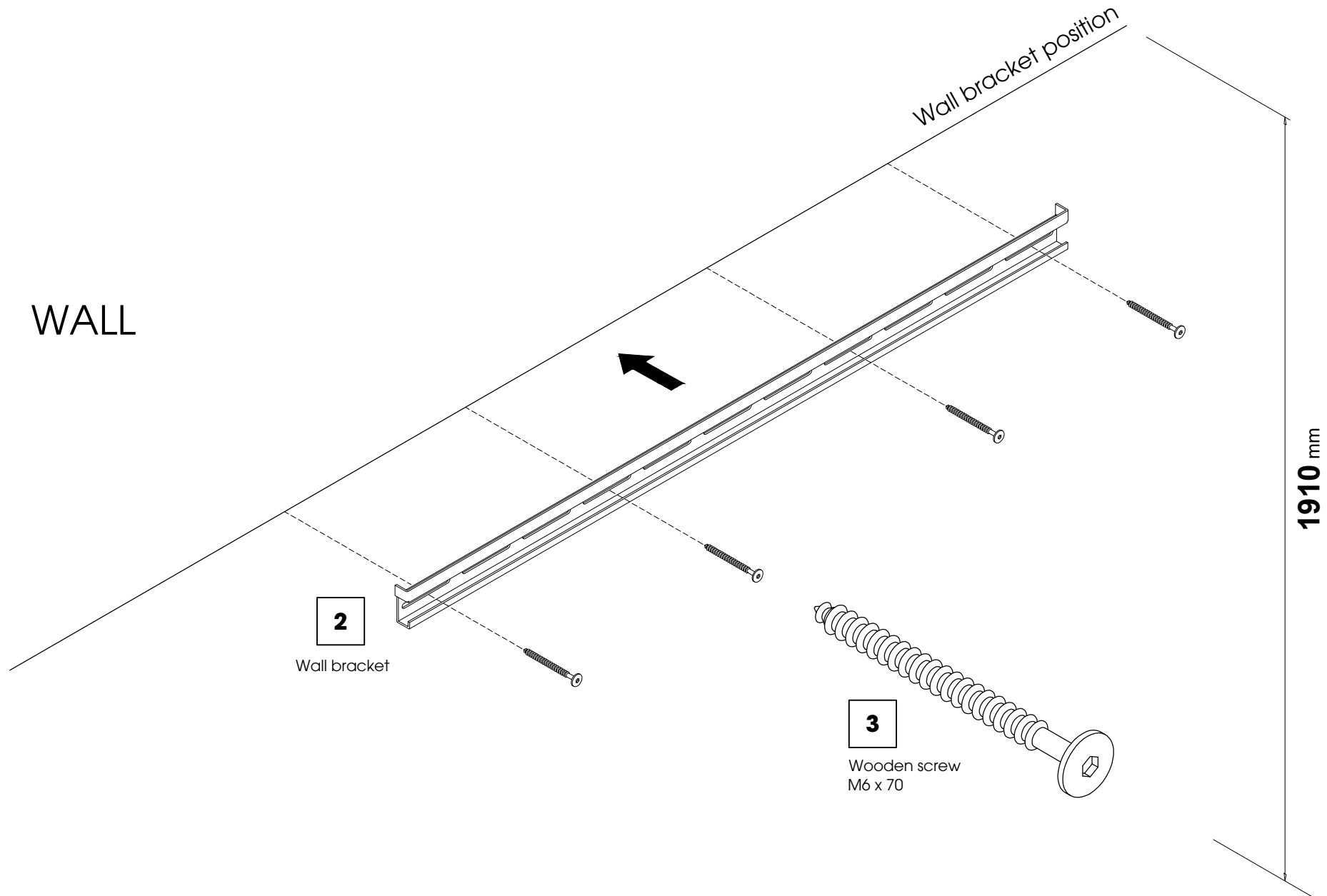
**WALL**

Wall bracket position

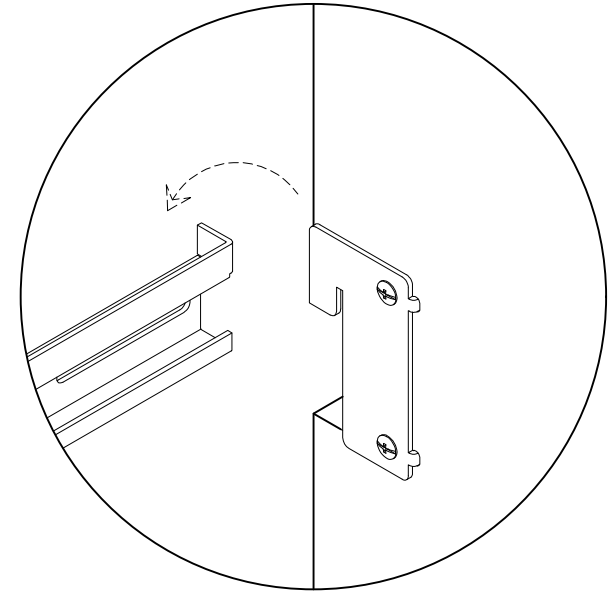
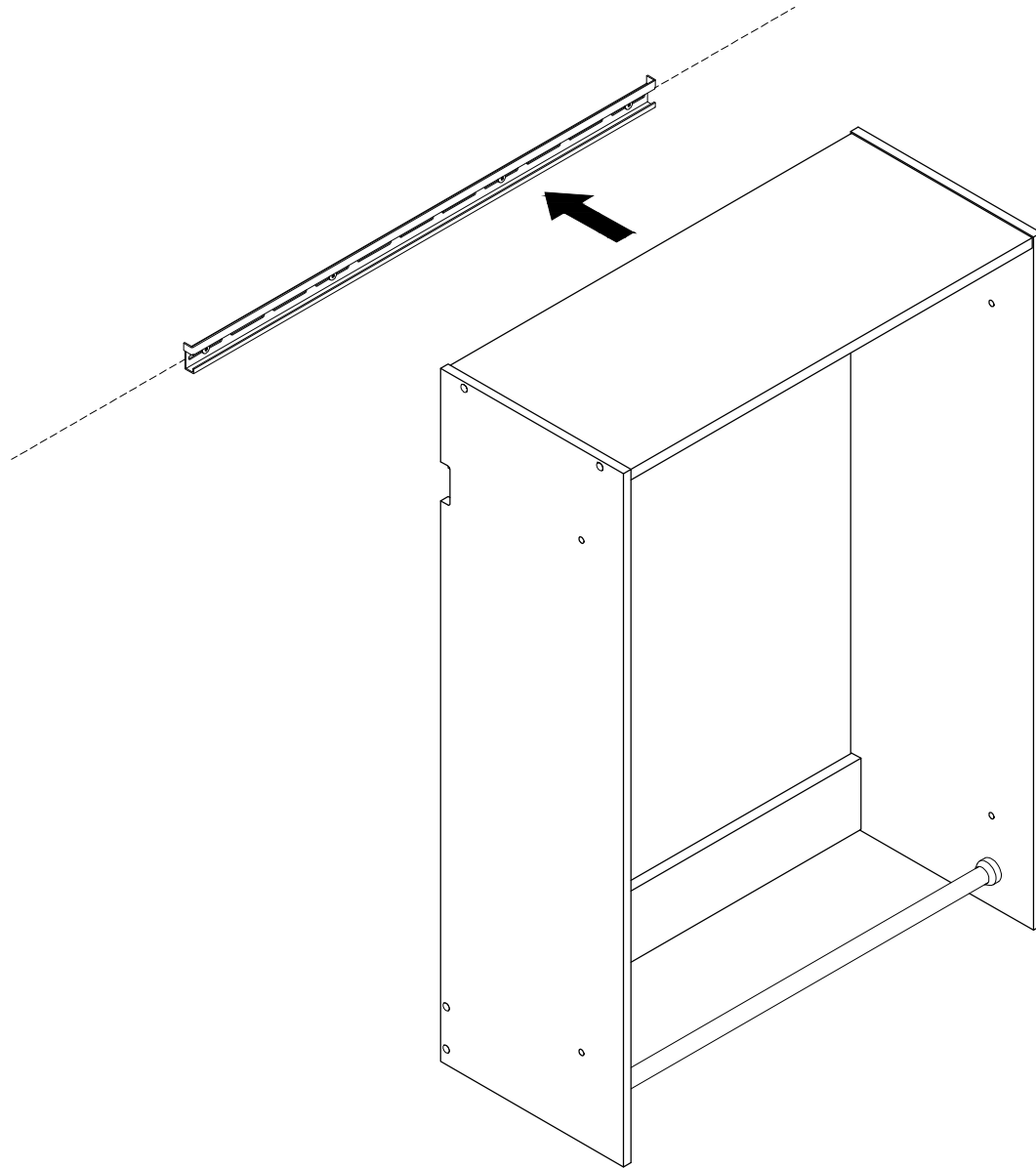


**FLOOR**

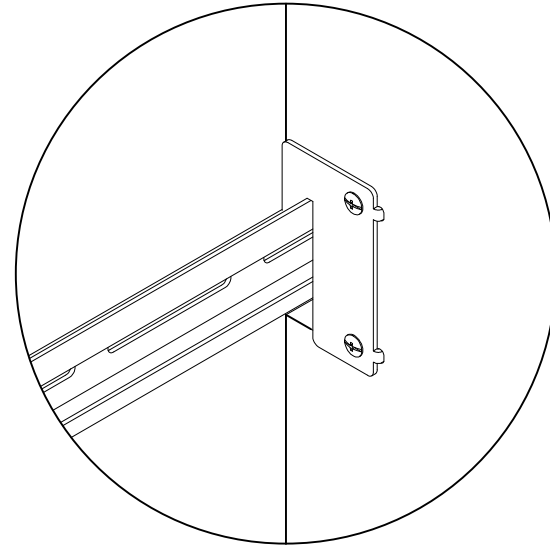
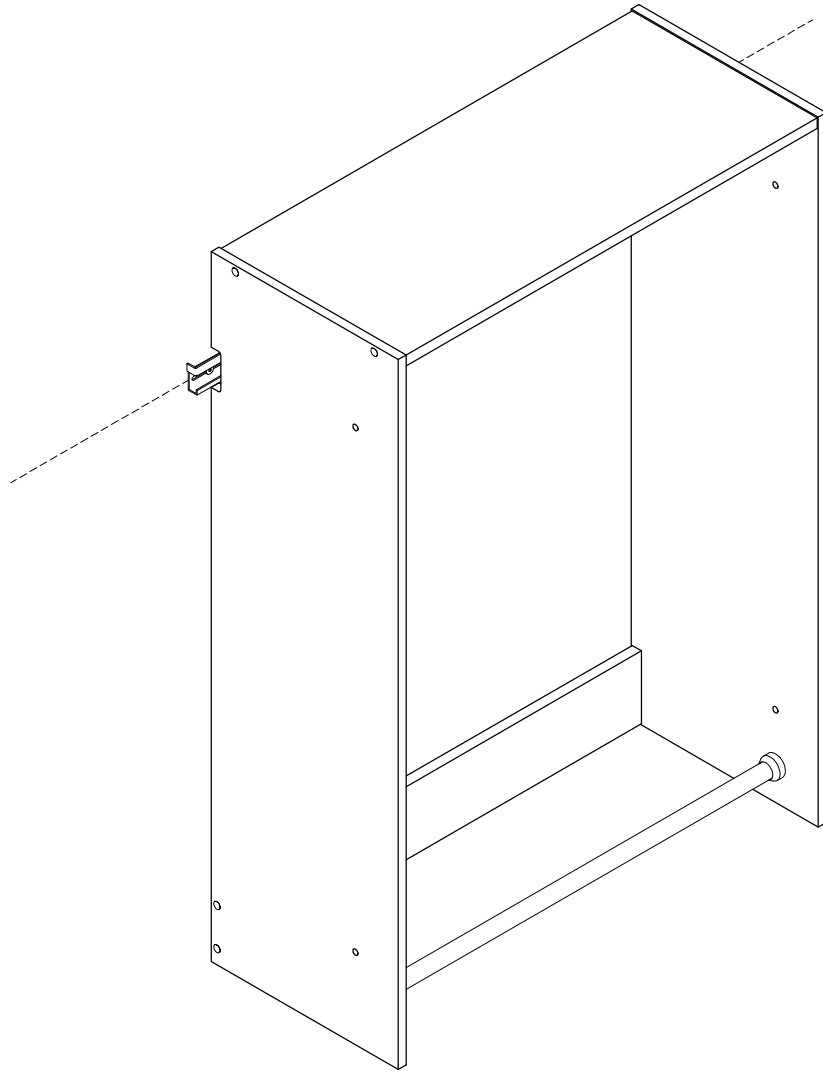
# WALL BRACKET INSTALLATION



# WALL BRACKET INSTALLATION

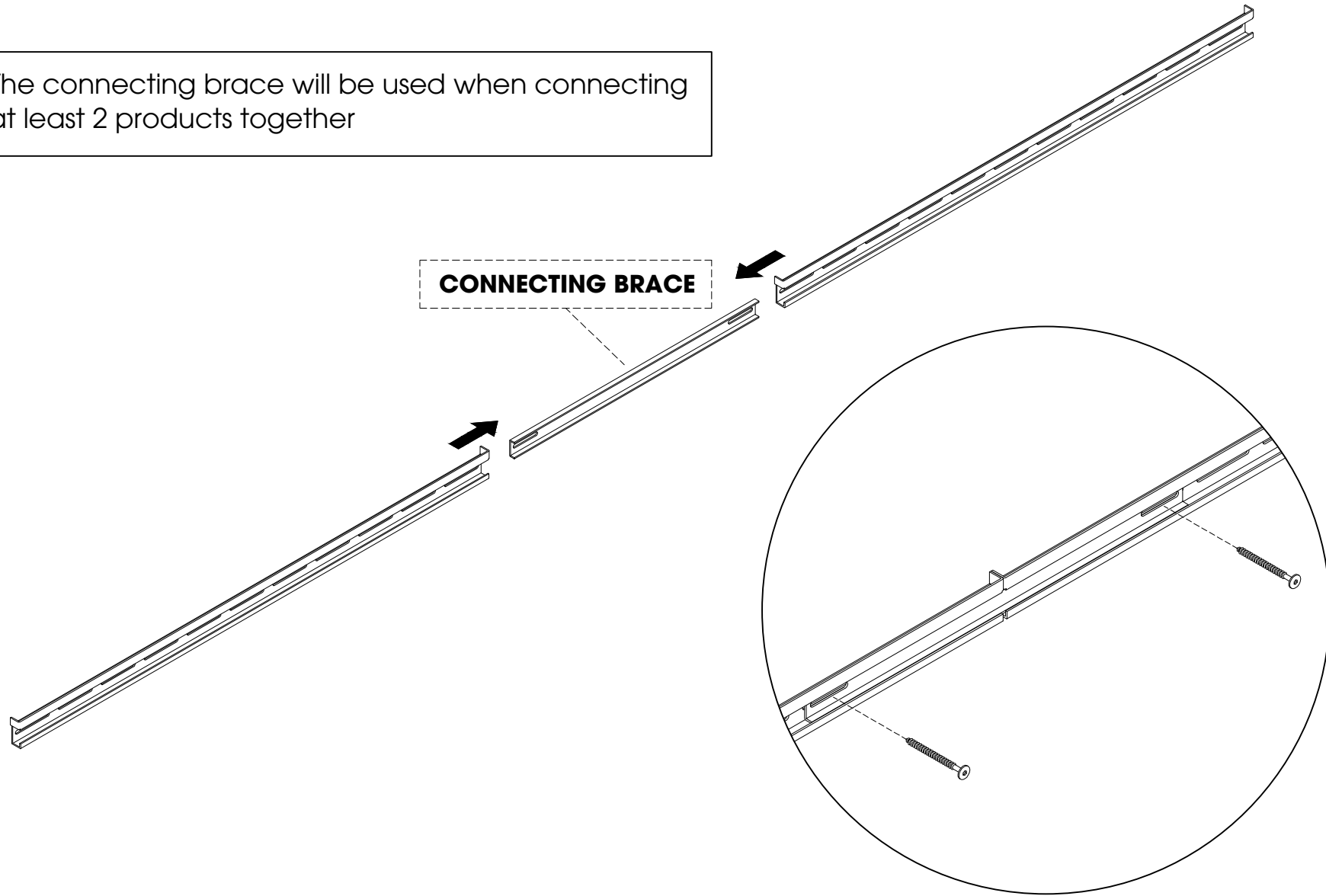


# WALL BRACKET INSTALLATION



# WALL BRACKET INSTALLATION

The connecting brace will be used when connecting at least 2 products together



# CONNECTING

