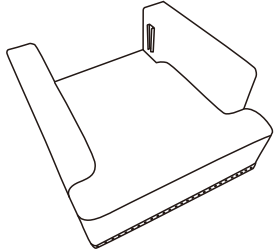
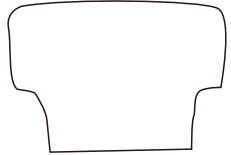


# ASSEMBLY INSTRUCTION

Ax1



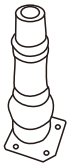
Bx1



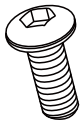
Cx2



Dx2



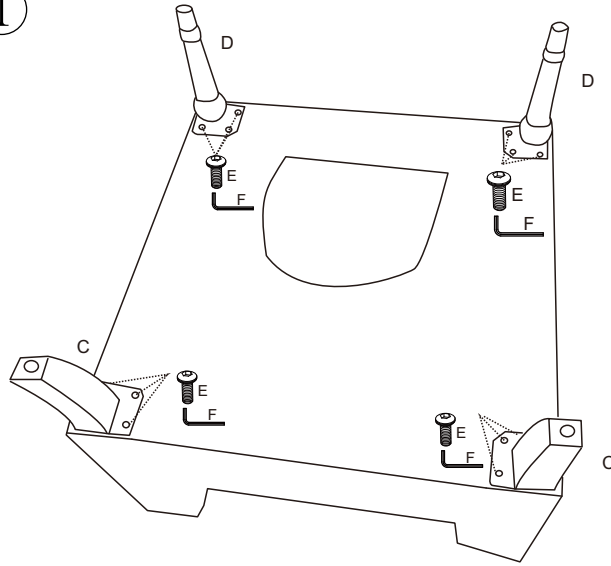
Ex12



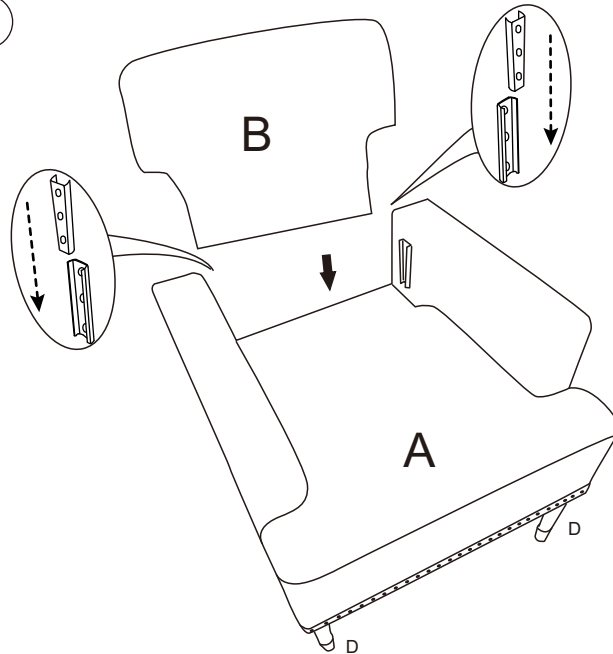
Fx1



①



②



③

