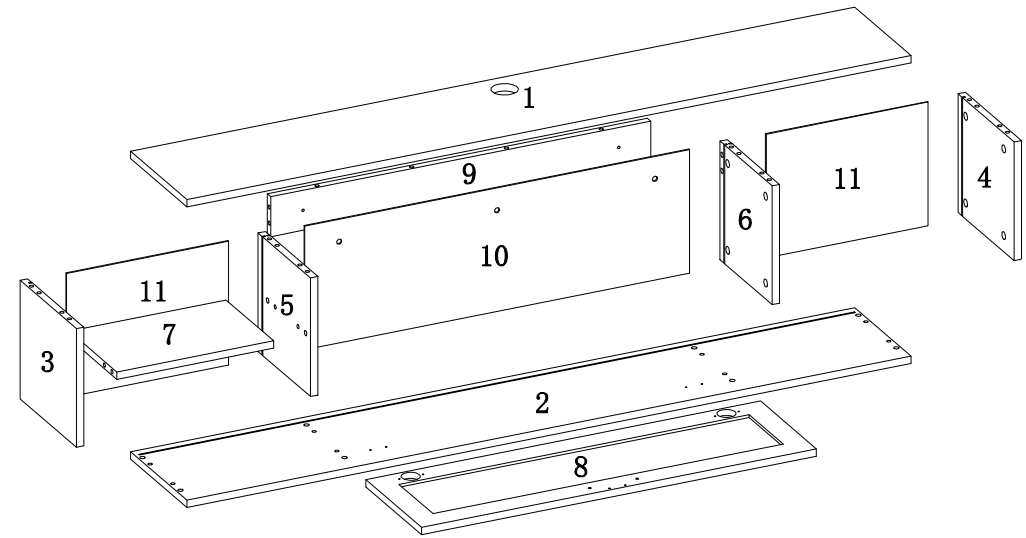
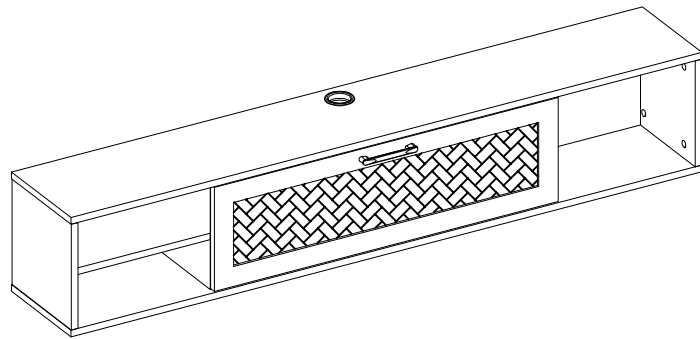


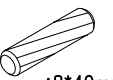


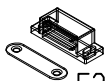
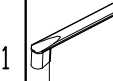
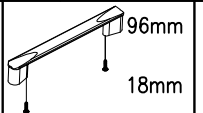
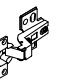


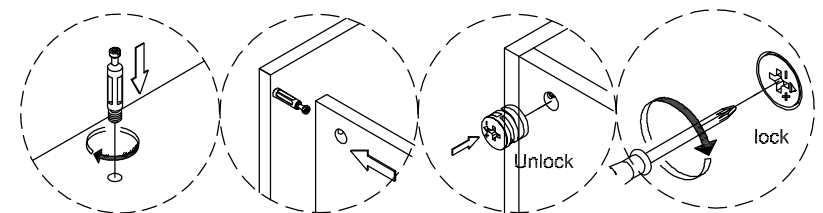


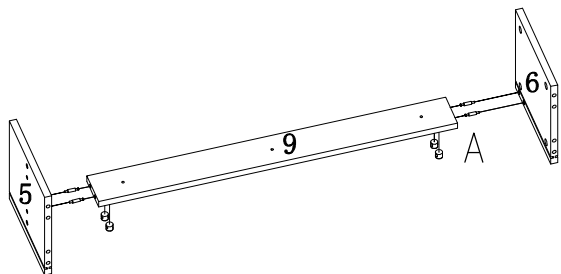
# Installation manual





 A1 #6*38mm	 A2 #15*11mm	 B #8*40mm	 C ST3.5*14mm	 D ST3*12mm			
A	26 PCS	B	22 PCS	C	12 PCS	D	4 PCS
 E1	 E2	 F 96mm 18mm	 G	 H	 H		
E	1 PCS	F	1 PCS	G	2 PCS	H	3 PCS

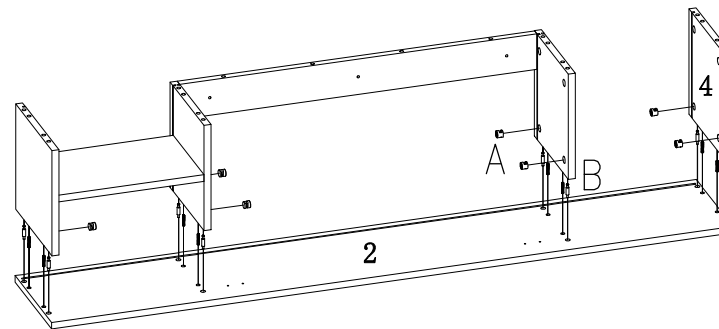





1



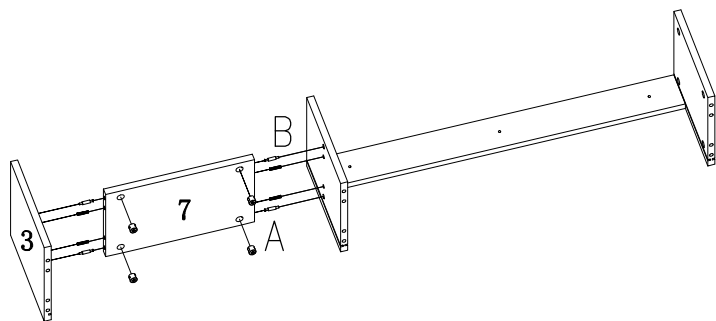
	
A1 #6*38mm	A2 #15*11mm
A	4 PCS



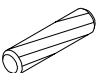
3



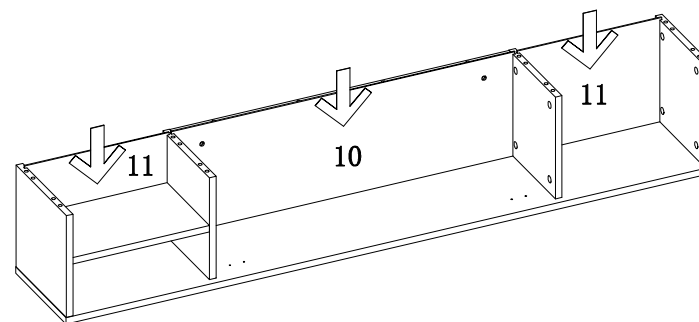
		
A1 #6*38mm	A2 #15*11mm	#8*40mm
A	8 PCS	B
		8 PCS

2

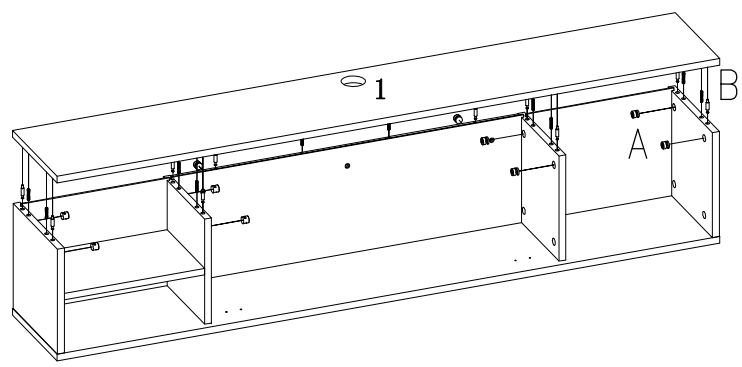




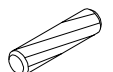
		
A1 #6*38mm	A2 #15*11mm	#8*40mm
A	4 PCS	B
		4 PCS

4

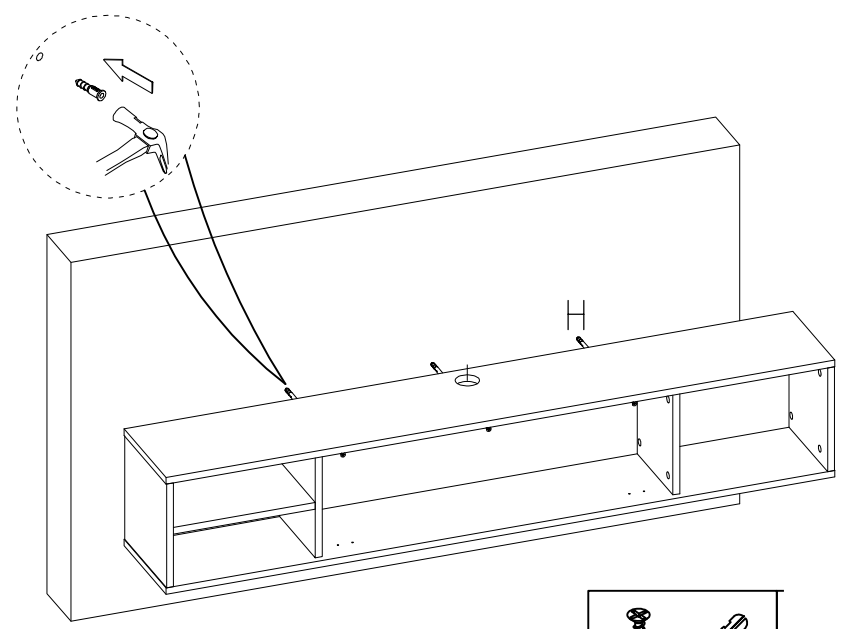




5



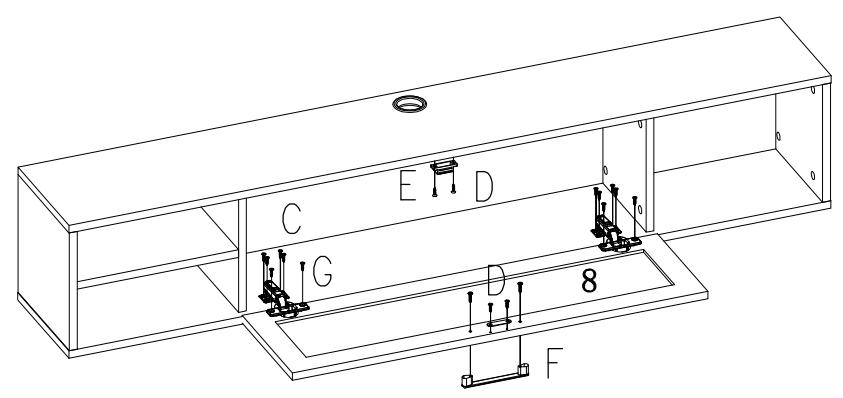
		
A1	A2	
±6*38mm	±15*11mm	±8*40mm
A	10 PCS	B
		10 PCS



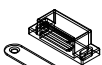
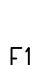
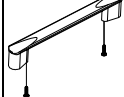
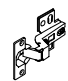
6



	
H	
	3 PCS

7



					
ST3.5*14mm	ST3*12mm	E1	E2	96mm 18mm	
C	D	E	F	G	
12 PCS	4 PCS	1 PCS	1 PCS	2 PCS	