

# ASSEMBLING & INSTALLATION INSTRUCTIONS PRODUCT# SERIES OUTDOOR WALL MOUNT LIGHT FIXTURE

**WARNING! SHUT POWER OFF AT FUSE OR CIRCUIT BREAKER .**

## MOUNTING THE FIXTURE

### Installation (see fig.1)

1. Shut off the power at the circuit breaker and remove old fixture, including the cross bar.
2. Carefully unpack new fixture and lay all the parts on a clear surface. Take care not to lose any small parts necessary for installation.
3. Drill four holes in the wall, distance and the same distance from the top holes of the mounting plate. **Attach the mounting plate to the wall, aligning the plastic anchors and junction box, lock it securely with the four wood screws and the two box screws. The side of the mounting plate marked 'GND' must face out. The junction box is not included.**
4. In the mounting plate on the wall near the drill a hole, attach the right angle shim to the wall, aligning the plastic anchors and lock it securely with wood screw. **The right angle shim can not go beyond the fringe of the back plate.**
5. Follow wiring instructions carefully (see fig.2)
6. Attach the back plate of the lamp body(F) onto the junction box, aligning the back plate's hole with mounting screw and lock it securely with the hex nuts(G). Raise the glass shade(C) into the glass frame.
7. Install the light bulbs in accordance with the fixture's specifications. **DO NOT EXCEED THE MAXIMUM WATTAGE RATING!**
8. Attached the big finial(A) to the glass cover(B), lock it securely with the hex nut(D). Attached the glass cover to the top(bottom) of lamp body(F), lock it securely with the hex nut(C).
9. **With silicone caulking compound, caulk completely around where back of cover meets with the wall surface to prevent water from seeping into junction box.**

### Wiring (see fig.2)

1. Connect the electrical wires as follows. Connect the black wire from the fixture to the black house (hot) Wire. Connect the white wire from the fixture to the white (neutral) house wire. Make sure all wire nuts are secured. You may wrap the connections with electrical tape. If your outlet box has a ground wire (green or bare copper) connect fixture's ground wire to it. Otherwise attach the bare copper fixture wire to the green ground screw on the cross bar.
2. Tuck the wire connections neatly into the wall junction box.

Fig.1

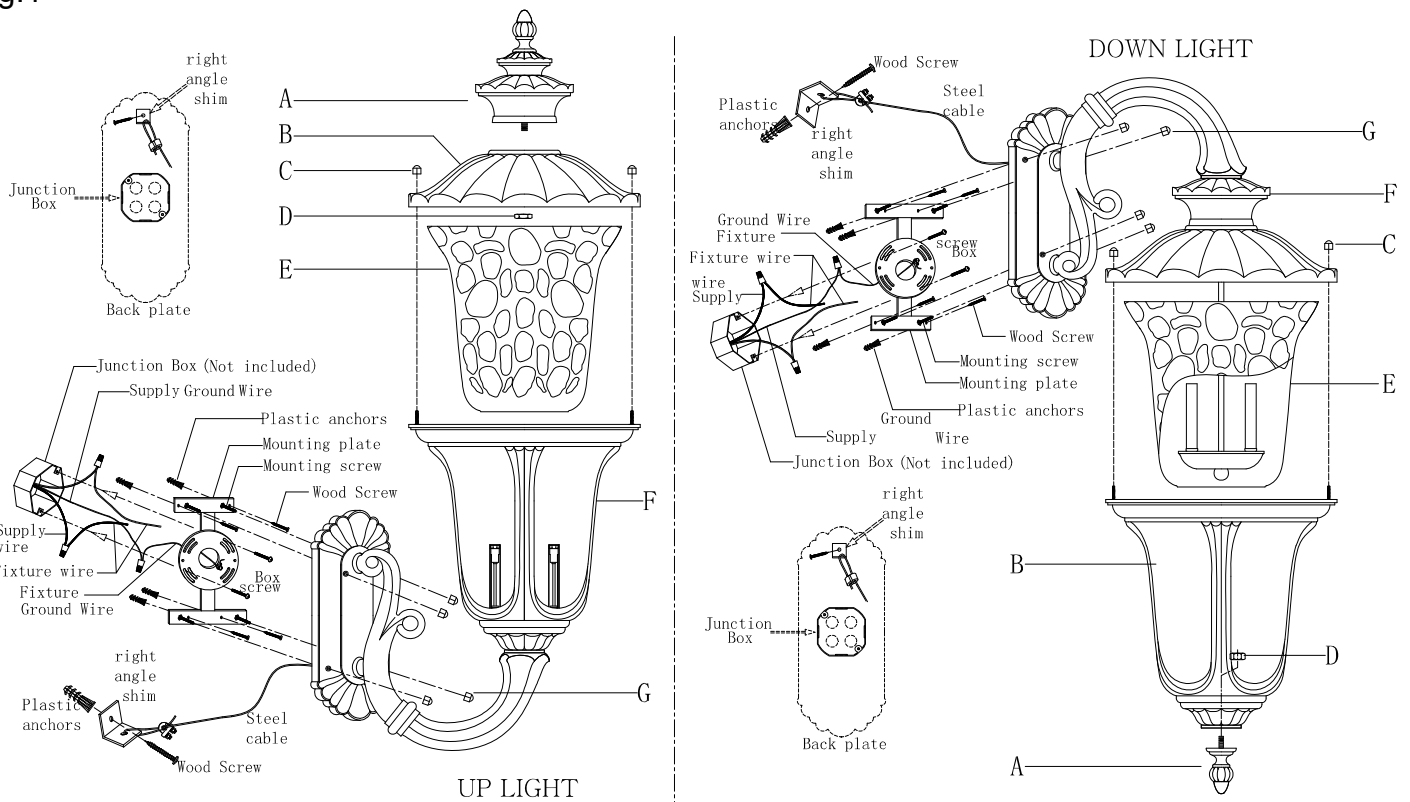


Fig.2

FIXTURE WIRES Black or Smooth		FIXTURE WIRES White or Ribbed		FIXTURE WIRES Bare Copper (Ground)	
HOUSE WIRES Black (Hot)		HOUSE WIRES White (Neutral)		HOUSE WIRES Green or Bare Copper (Ground)	