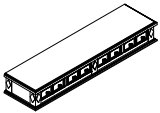
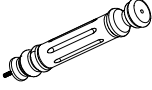




ASSEMBLY INSTRUCTION

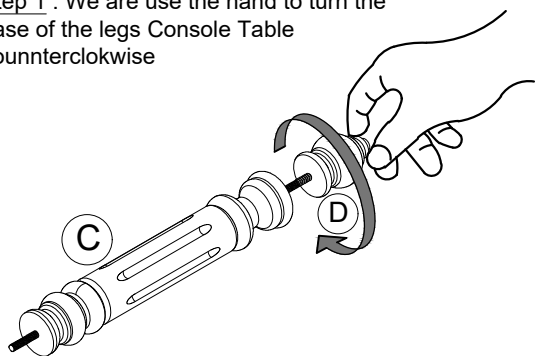
MODEL: # FSH2212

Thank you for purchasing this quality product. Be sure to check all packing material carefully for small parts which may have come loose inside the carton during shipment. Separate, identify and count all parts and metal hardware. Compare with parts list to be sure all parts are present. If any part(s) are missing or damaged, please contact your local furniture dealer. For efficient and speedy service, please indicate the model number and code letter of part(s) needed.

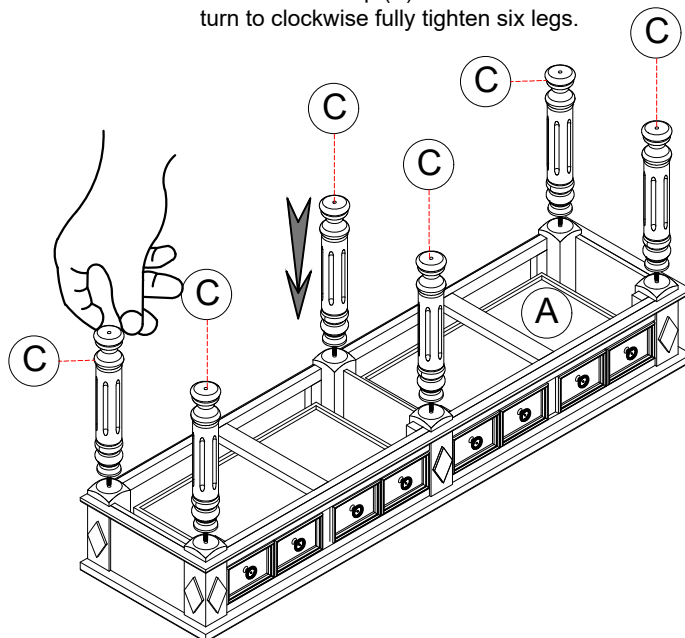
***** Do not fully tighten screws until fully assembled *****

No.	COMPONENT LIST	Q'ty	No.	COMPONENT LIST	Q'ty
(A)	 Console Table	1pc	(C)	 Legs	6pcs
(B)	 Shelf	1pc	(D)	 Stand Legs	6pcs

Step 1 : We are use the hand to turn the base of the legs Console Table counterclockwise



Step 2 : Align and place Legs (C) into Console table top (A). Then use the Hand turn to clockwise fully tighten six legs.



Step 3 : Align and place Shelf (B) into Console table legs (C). Take base legs (D) into hole of Shelf (B) and use the Hand turn to clockwise fully tighten six base legs.

