

Assembly Guide

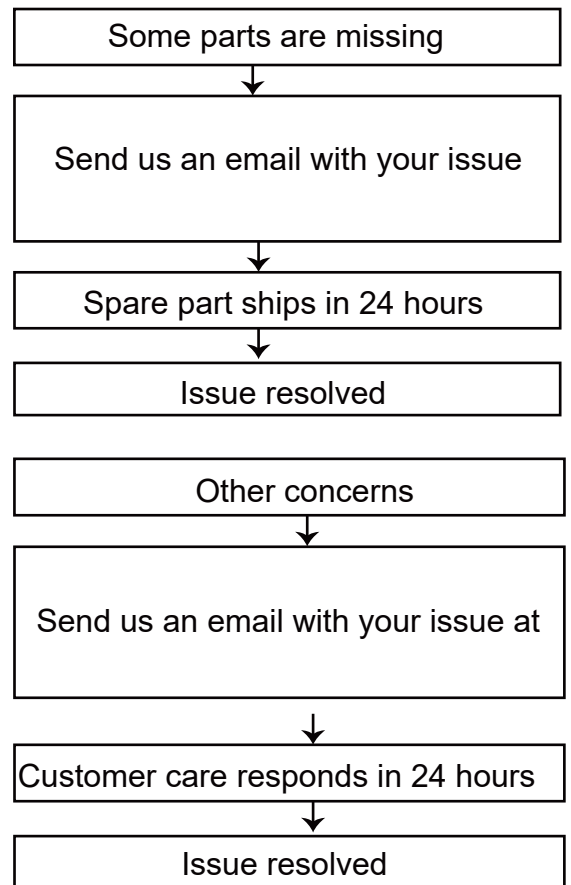
Tip!

Do check for all the components and screws listed in this guide before putting things together. If any part is missing, contact us for the missing part.

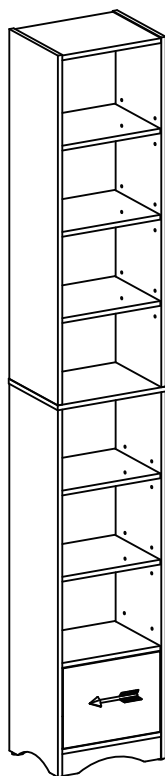
Return Policy

Your satisfaction is our top priority. If our product fails to satisfy you, please let us know how we can make things right for you. Our trained customer care team can handle most concerns and assist you with any questions you may have. To be eligible for a full-refund return, the item must be in pristine condition, in the original packaging, with all of the shipped components intact and not yet assembled, and with the item's unique proof of purchase.

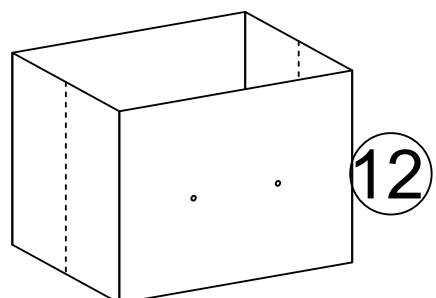
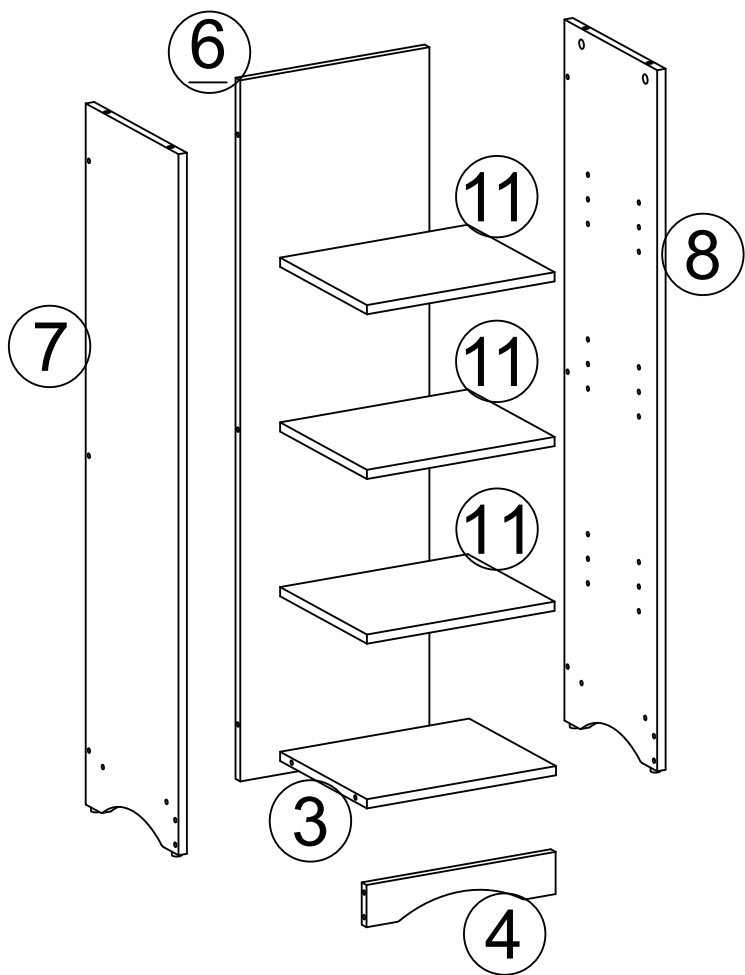
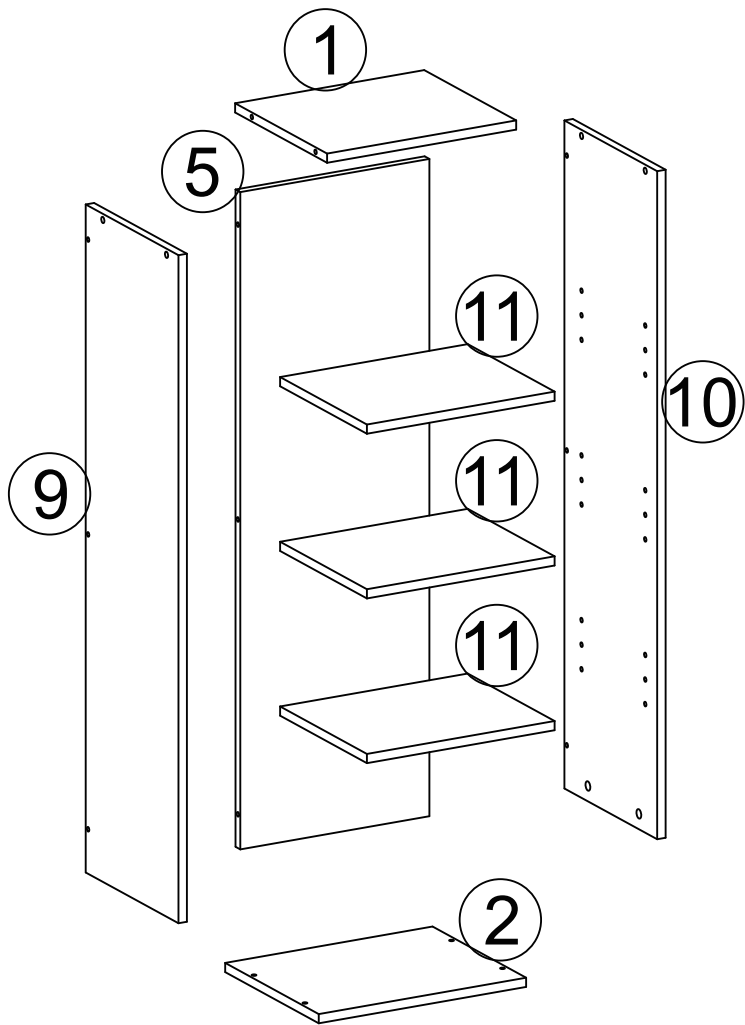
Trouble shooting:

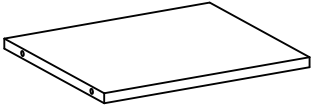
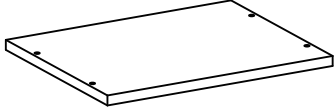
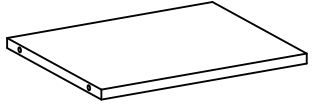


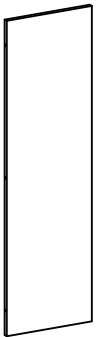




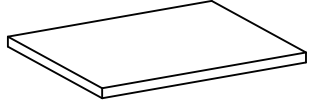
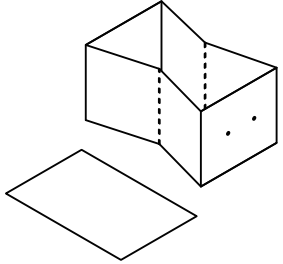


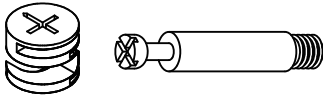
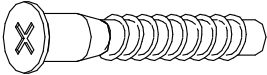
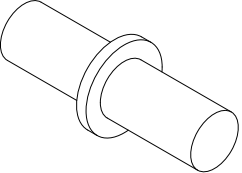
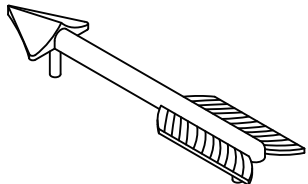
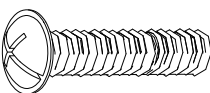
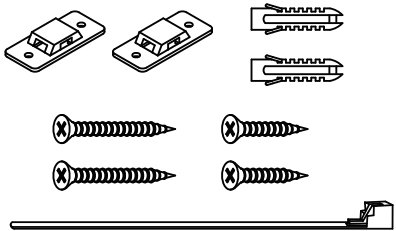
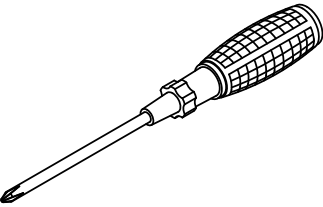
We run our own manufacturer, so rest assured about the quality consistency.



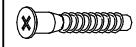
Item Description: Tall Narrow Bookshelf



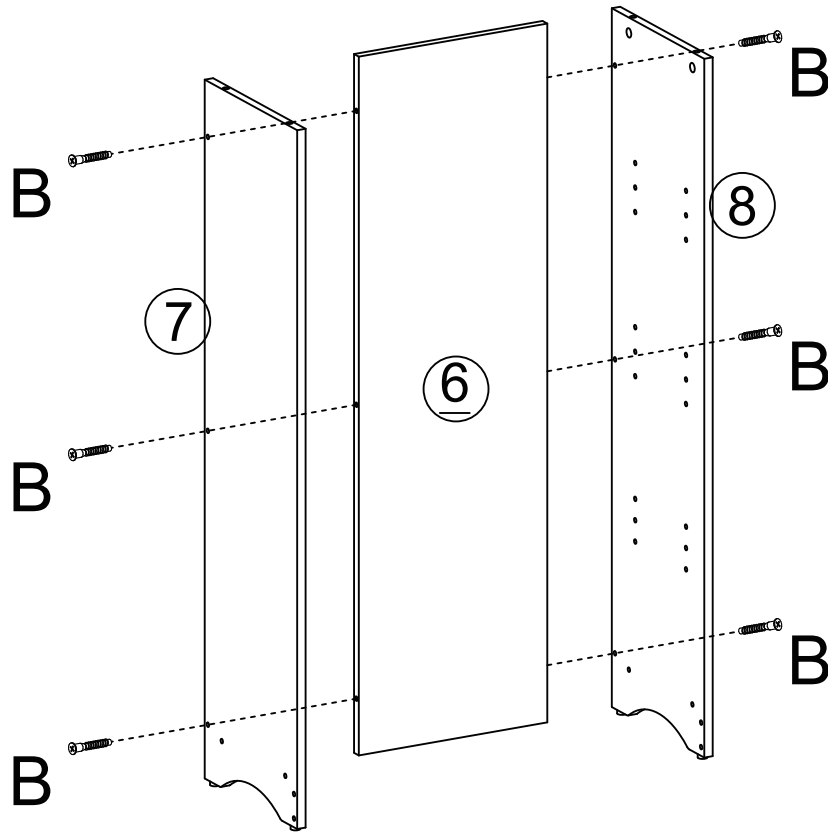
<p>1</p>		<p>1</p>	<p>2</p>		<p>1</p>
<p>3</p>		<p>1</p>	<p>4</p>		<p>1</p>
<p>5</p>		<p>1</p>	<p>6</p>		<p>1</p>
<p>7</p>		<p>1</p>	<p>8</p>		<p>1</p>
<p>9</p>		<p>1</p>	<p>10</p>		<p>1</p>
<p>11</p>		<p>6</p>	<p>12</p>		<p>1</p>

<p>A</p>	 <p>ST5X28</p>	<p>8</p>	<p>B</p>	 <p>5X40</p>	<p>24</p>
<p>C</p>	 <p>Ø6X17</p>	<p>24</p>	<p>D</p>	 <p>96</p>	<p>1</p>
<p>E</p>	 <p>M4X8</p>	<p>2</p>			<p>1</p>
		<p>1</p>			

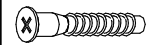
Step 1



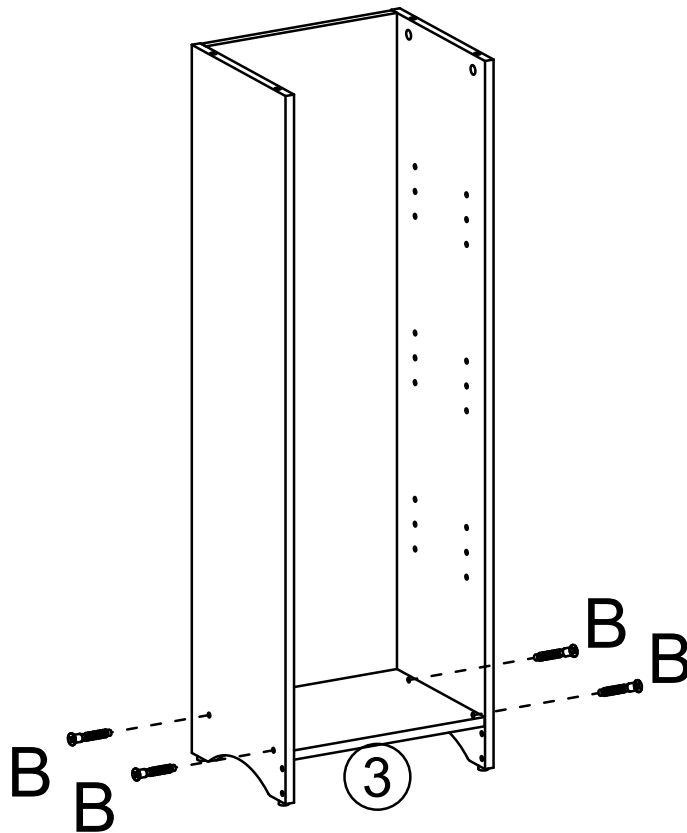
BX6



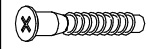
Step 2



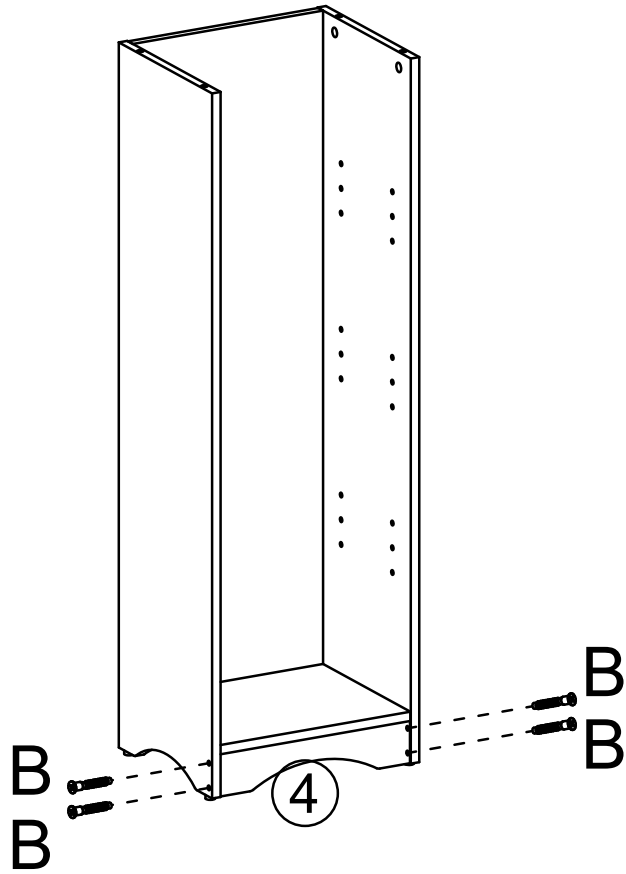
BX4



Step 3



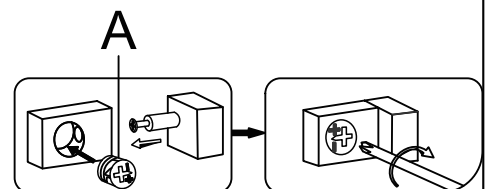
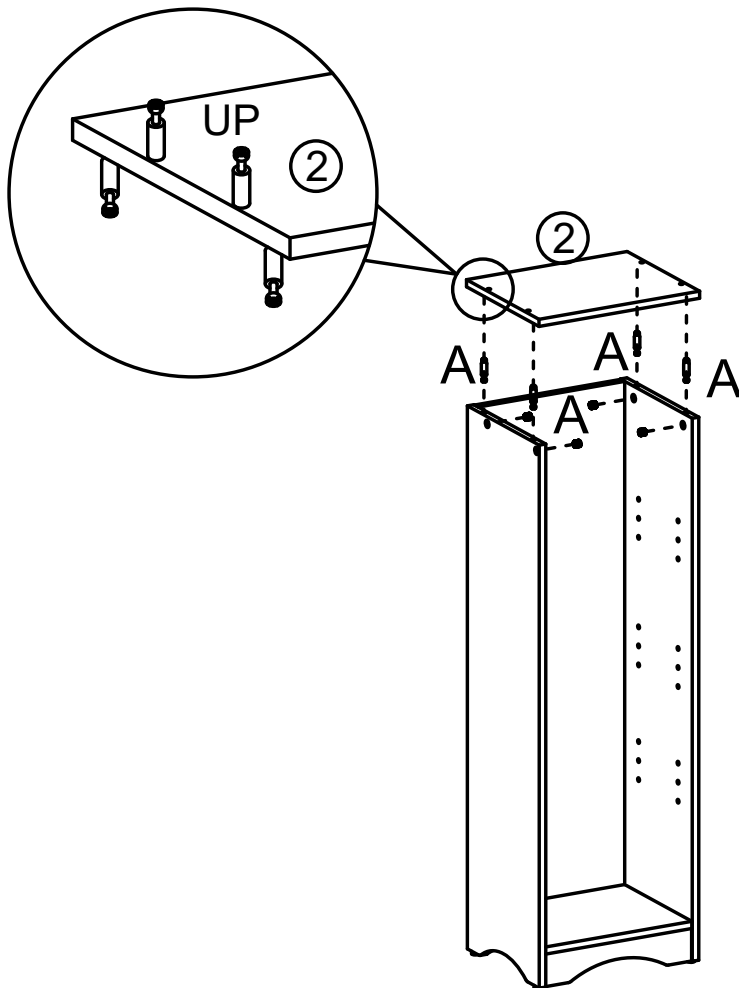
BX4



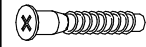
Step 4



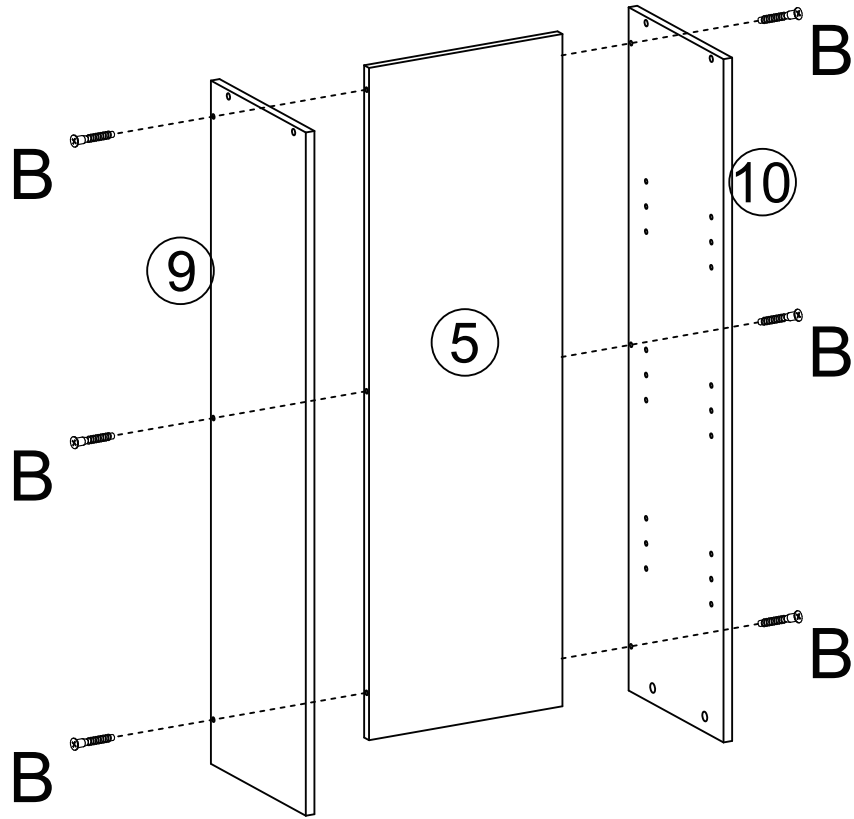
AX4



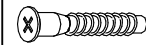
Step 5



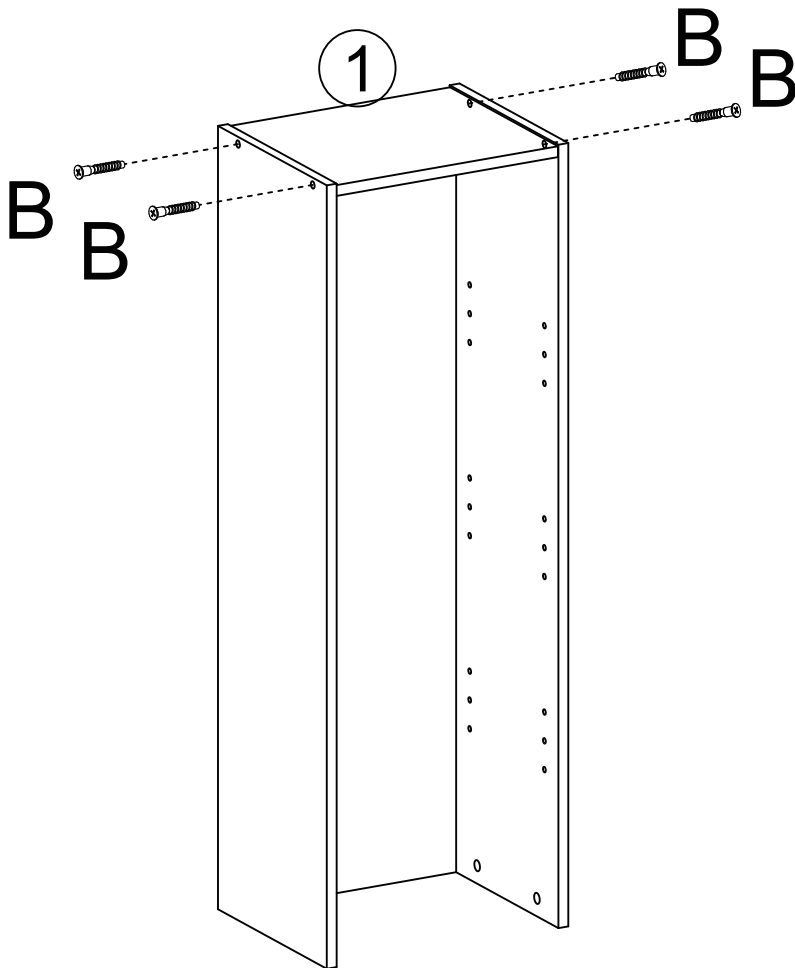
BX6



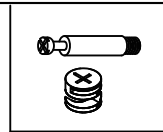
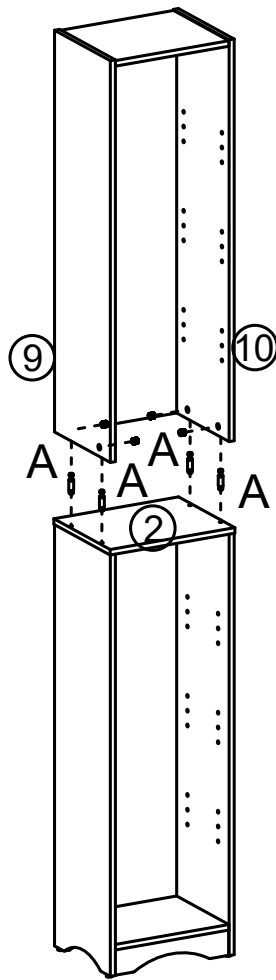
Step 6



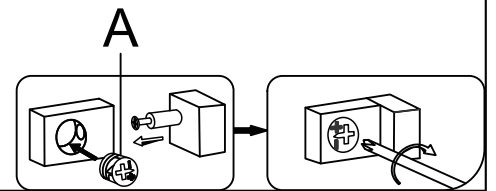
BX4



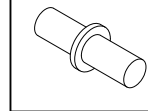
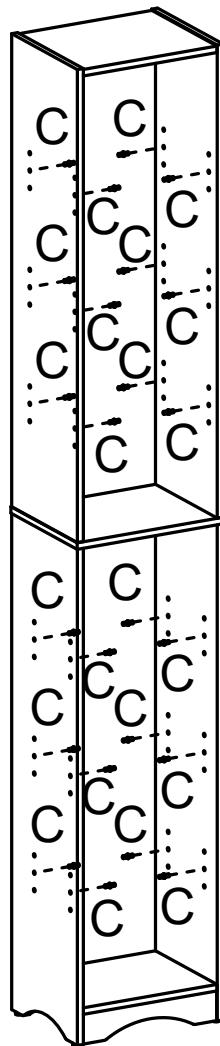
Step 7



AX4



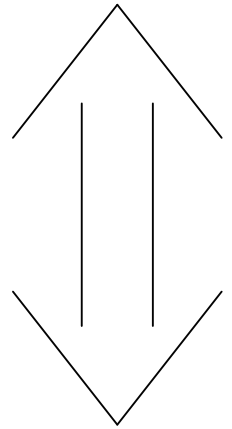
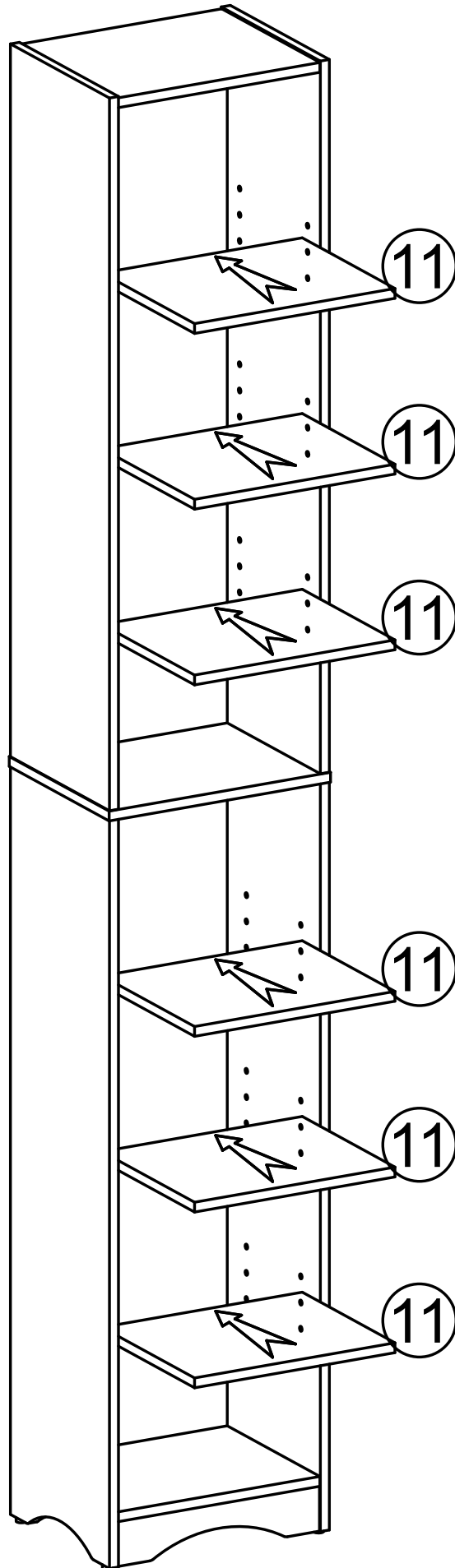
Step 8



CX24



Step 9



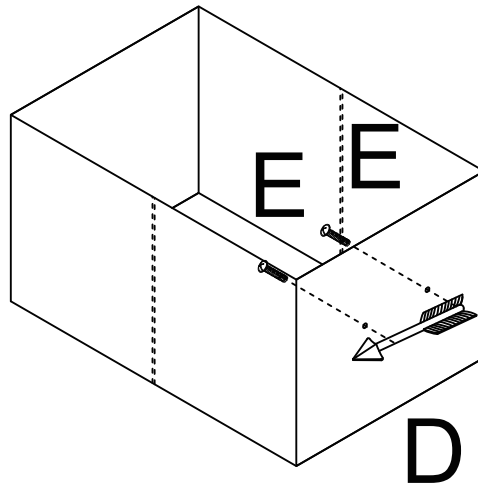
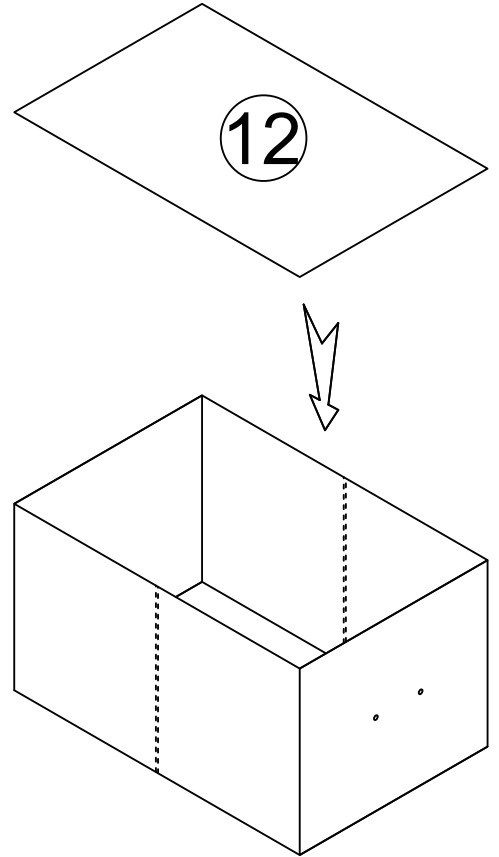
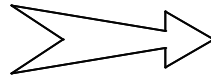
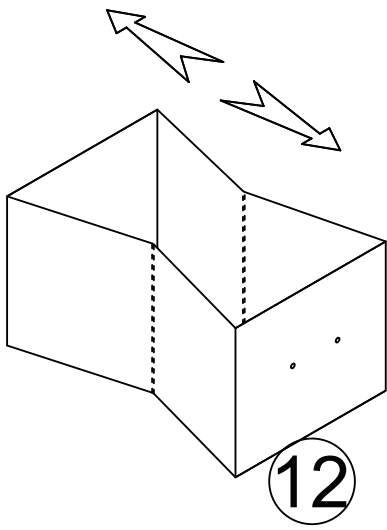
Step 10



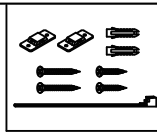
EX2



DX1



Step 11



1

