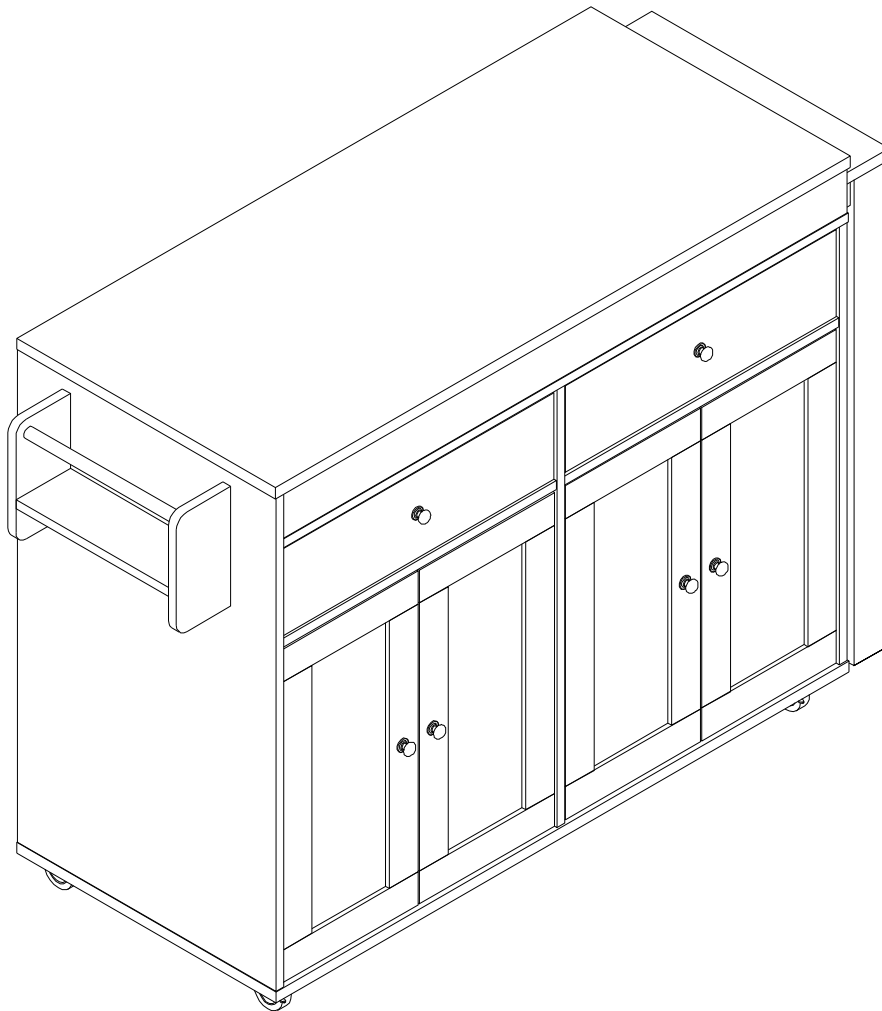
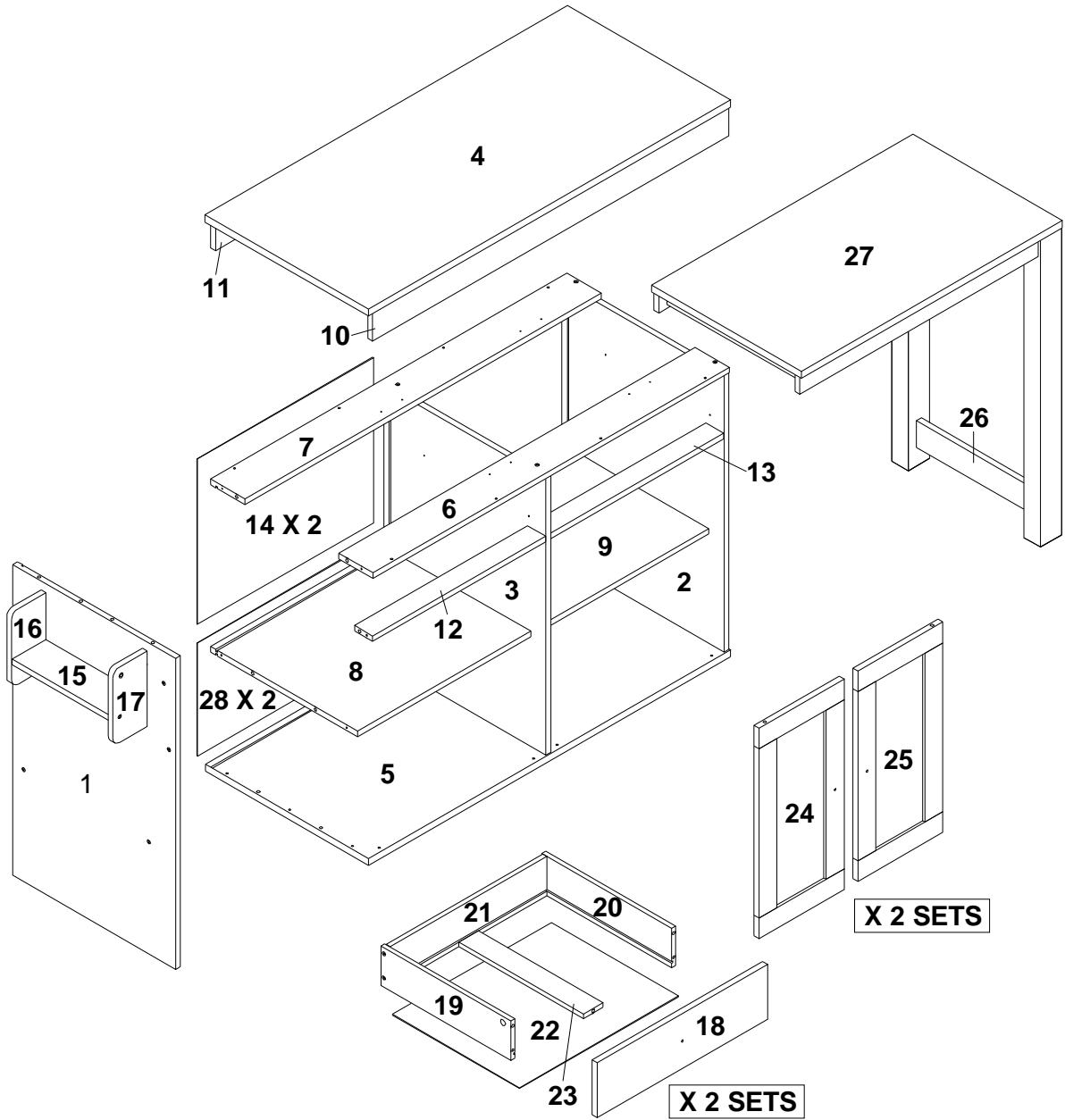


# ASSEMBLY INSTRUCTIONS

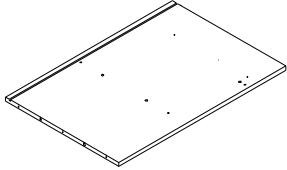
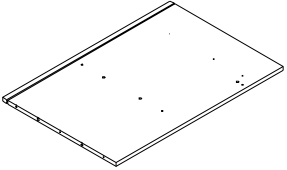
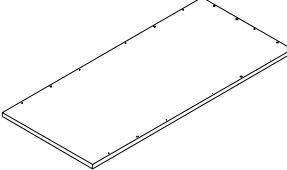
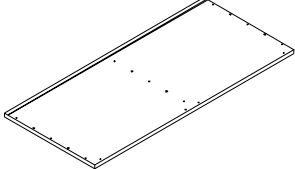
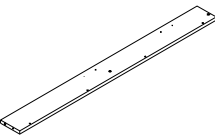
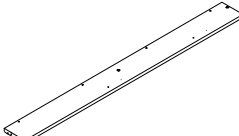
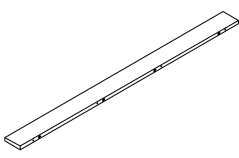
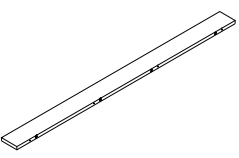
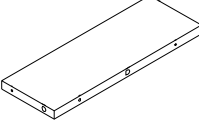
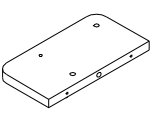
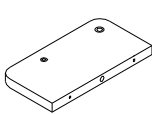
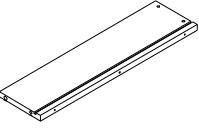

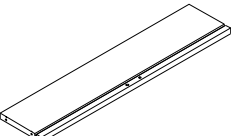
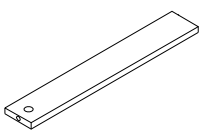
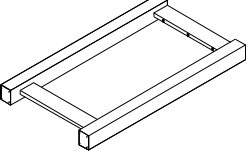
## EXTENDABLE KITCHEN ISLAND



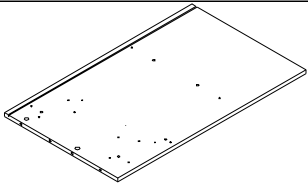
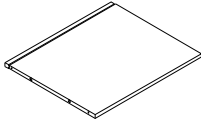
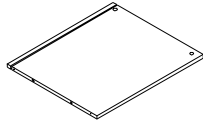
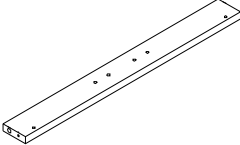
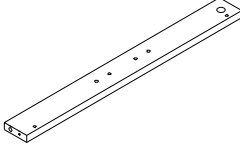
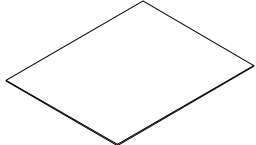
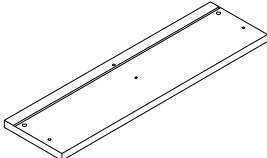
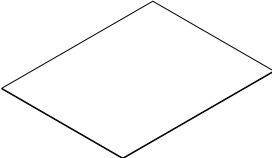
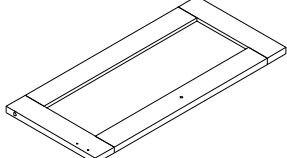
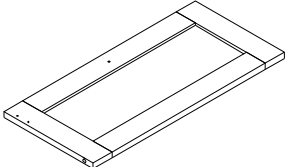
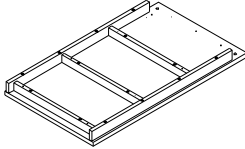
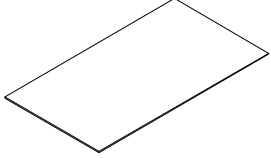
# Detail View



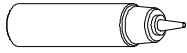



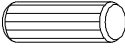
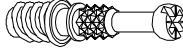


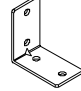

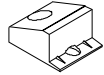


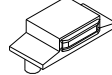

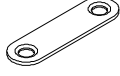


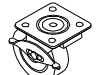
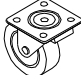

# Part List

<p><b>2</b></p>  <p>Side Panel (Right) - 1pc</p>	<p><b>3</b></p>  <p>Center Panel - 1pc</p>	<p><b>4</b></p>  <p>Top Panel - 1pc</p>
<p><b>5</b></p>  <p>Bottom Panel - 1pc</p>	<p><b>6</b></p>  <p>Top Support Panel 1 - 1pc</p>	<p><b>7</b></p>  <p>Top Support Panel 2 - 1pc</p>
<p><b>10</b></p>  <p>Top Support Panel 3 - 1pc</p>	<p><b>11</b></p>  <p>Top Support Panel 4 - 1pc</p>	<p><b>15</b></p>  <p>Center Panel (Pvc Pipe) - 1pc</p>
<p><b>16</b></p>  <p>Left Panel (Pvc Pipe) - 1pc</p>	<p><b>17</b></p>  <p>Right Panel (Pvc Pipe) - 1pc</p>	<p><b>19</b></p>  <p>Left Panel (Drawer) - 2pcs</p>
<p><b>20</b></p>  <p>Right Panel (Drawer) - 2pcs</p>	<p><b>21</b></p>  <p>Back Panel (Drawer) - 2pcs</p>	<p><b>23</b></p>  <p>Support Panel (Drawer) - 2pcs</p>
<p><b>26</b></p>  <p>Leg (Extension Work Top) - 1pc</p>		

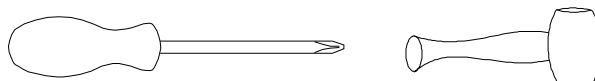
# Part List

<b>1</b>  Side Panel (Left) - 1pc	<b>8</b>  Shelf Panel 1 - 1pc	<b>9</b>  Shelf Panel 2 - 1pc
<b>12</b>  Front Support Panel 1 - 1pc	<b>13</b>  Front Support Panel 2 - 1pc	<b>14</b>  Back Panel 1 - 2pcs
<b>18</b>  Front Panel Drawer - 2pcs	<b>22</b>  Drawer Panel - 2pcs	<b>24</b>  Door Panel (Left) - 2pcs
<b>25</b>  Door Panel (Right) - 2pcs	<b>27</b>  Extension Work Top - 1pc	<b>28</b>  Back Panel 2 - 2pcs


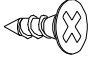
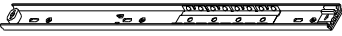
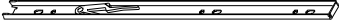
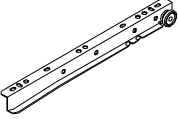
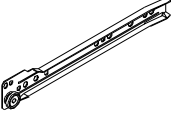
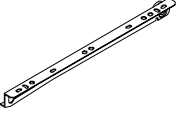
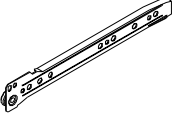


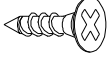
# Hardware List

<b>A</b>  Glue (2pcs)	<b>B</b>  Ø18 Sticker (12pcs)	<b>C</b>  #9 x 38mm Screw (52pcs)
<b>D</b>  #9 x 51mm Screw (11pcs)	<b>E</b>  m8 x 25mm Wood Dowel (36pcs)	<b>F</b>  24mm Cam Bolt (11pcs)
<b>G</b>  D15 x 12.5mm Cam Nut (5pcs)	<b>H</b>  D12 x 9.5mm Cam Nut (6pcs)	<b>I</b>  25mm x 43mm L-Bracket metal (2pcs)
<b>J</b>  m3 x 20mm Screw (8pcs)	<b>K</b>  Corner Block (8pcs)	<b>L</b>  Door Support Retractable (4pcs)
<b>M</b>  Door Metal (4pcs)	<b>N</b>  Magnet With Leg (4pcs)	<b>O</b>  m3.5 x 12mm Screw (8pcs)
<b>P</b>  44mm Metal Plate (4pcs)	<b>Q</b>  Knob (6pcs)	<b>R</b>  #6 x 22mm Screw Pan Head (6pcs)
<b>S</b>  Castor With Stopper (4pcs)	<b>T</b>  Castor Without Stopper (3pcs)	<b>U</b>  m3.5 x 16mm Screw Pan Head (36pcs)

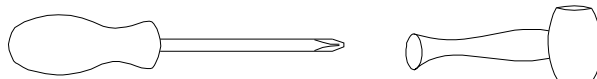
## ASSEMBLY TOOLS REQUIRED ( NOT INCLUDED )



PLEASE BE CAREFUL DO NOT DAMAGE THE HOLE POSITION WHEN YOU USE POWER TOOLS!



<b>V</b>  m6 x 25mm Wood Dowel (4pcs)	<b>W</b>  m4 x 12mm Screw (28pcs)	<b>X1</b>  carcass slide Drawer Slide (2pcs)
<b>X2</b>  drawer slide Drawer Slide (2pcs)	<b>Y1</b>  DL Metal Runner (2pcs)	<b>Y2</b>  CL Metal Runner (2pcs)
<b>Y3</b>  DR Metal Runner (2pcs)	<b>Y4</b>  CR Metal Runner (2pcs)	<b>Z</b>  m6 x 30mm Screw Bind Head (2pcs)
<b>ZA</b>  Pvc Pipe (295mm) (1pc)	<b>ZB</b>  m4 x 14mm Screw (14pcs)	

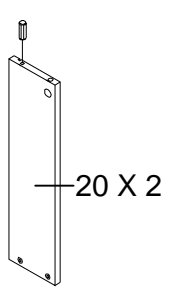
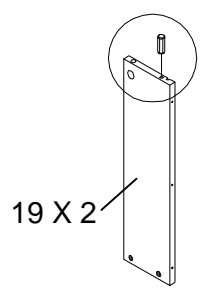
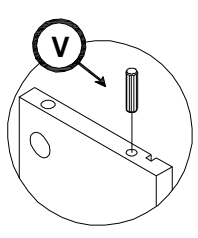
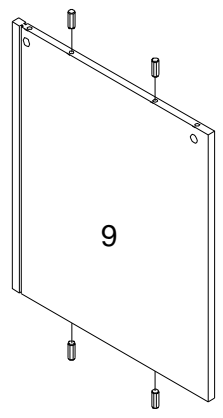
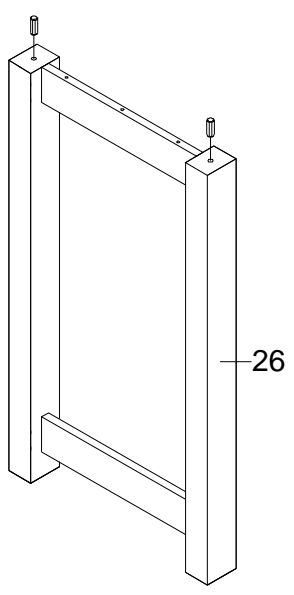
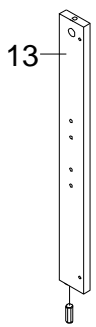
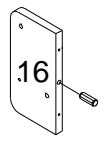
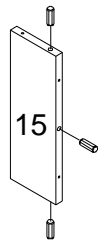
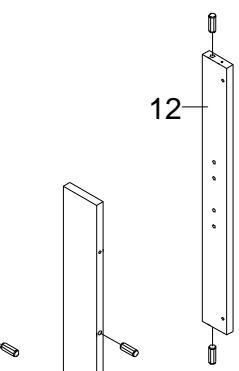
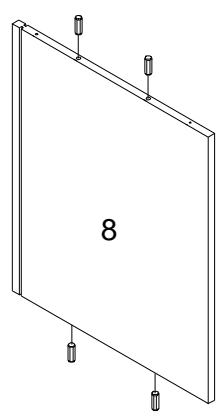
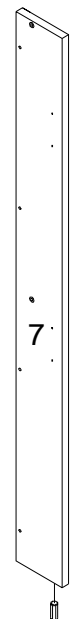
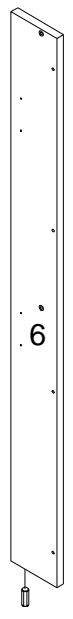
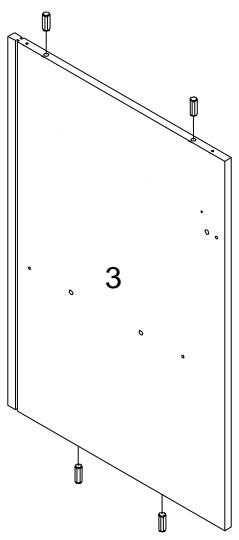
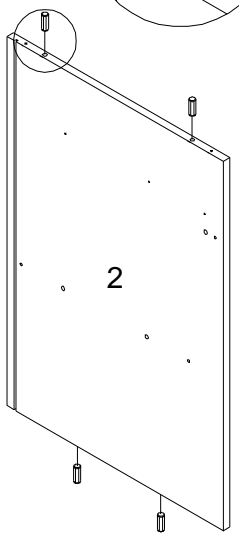
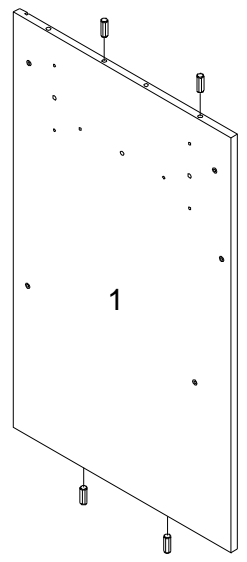
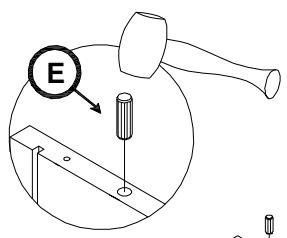
### ASSEMBLY TOOLS REQUIRED ( NOT INCLUDED )



PLEASE BE CAREFUL DO NOT DAMAGE THE HOLE POSITION WHEN YOU USE POWER TOOLS!

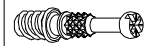
**STEP 1:**

<b>E</b>	<b>V</b>
	
<b>36 pcs</b>	<b>4 pcs</b>

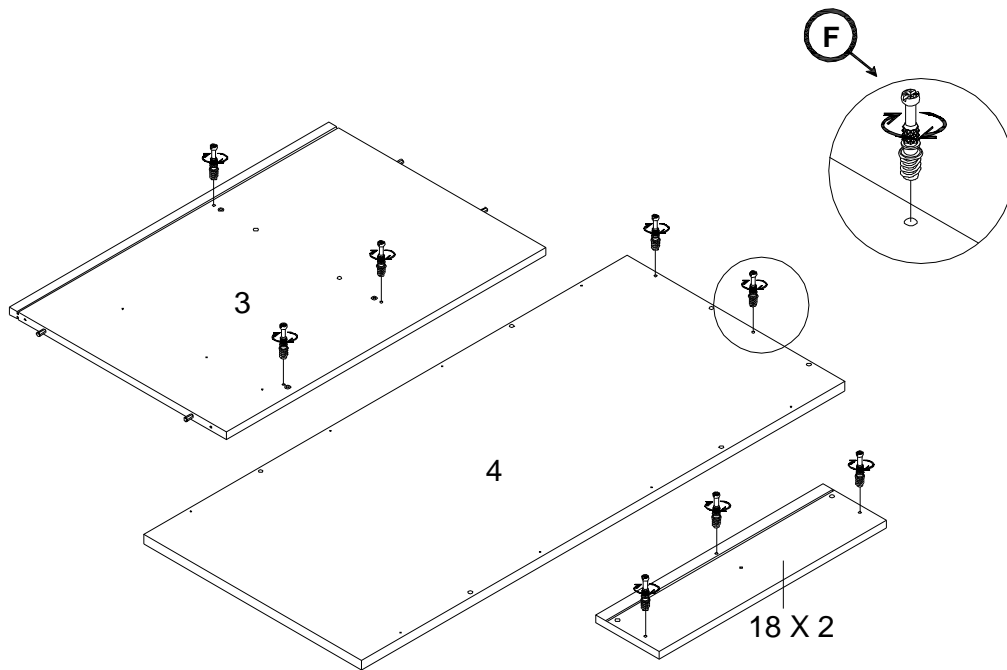


**STEP 2:**

**F**

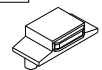


**11 pcs**

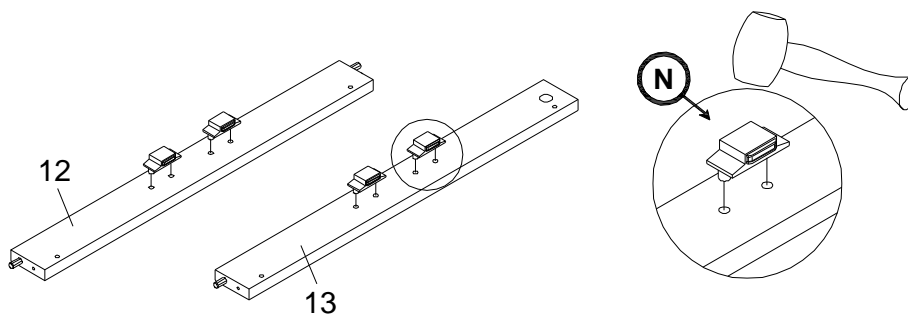


**STEP 3:**


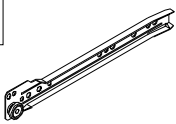
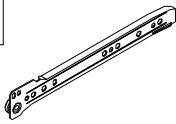
**N**

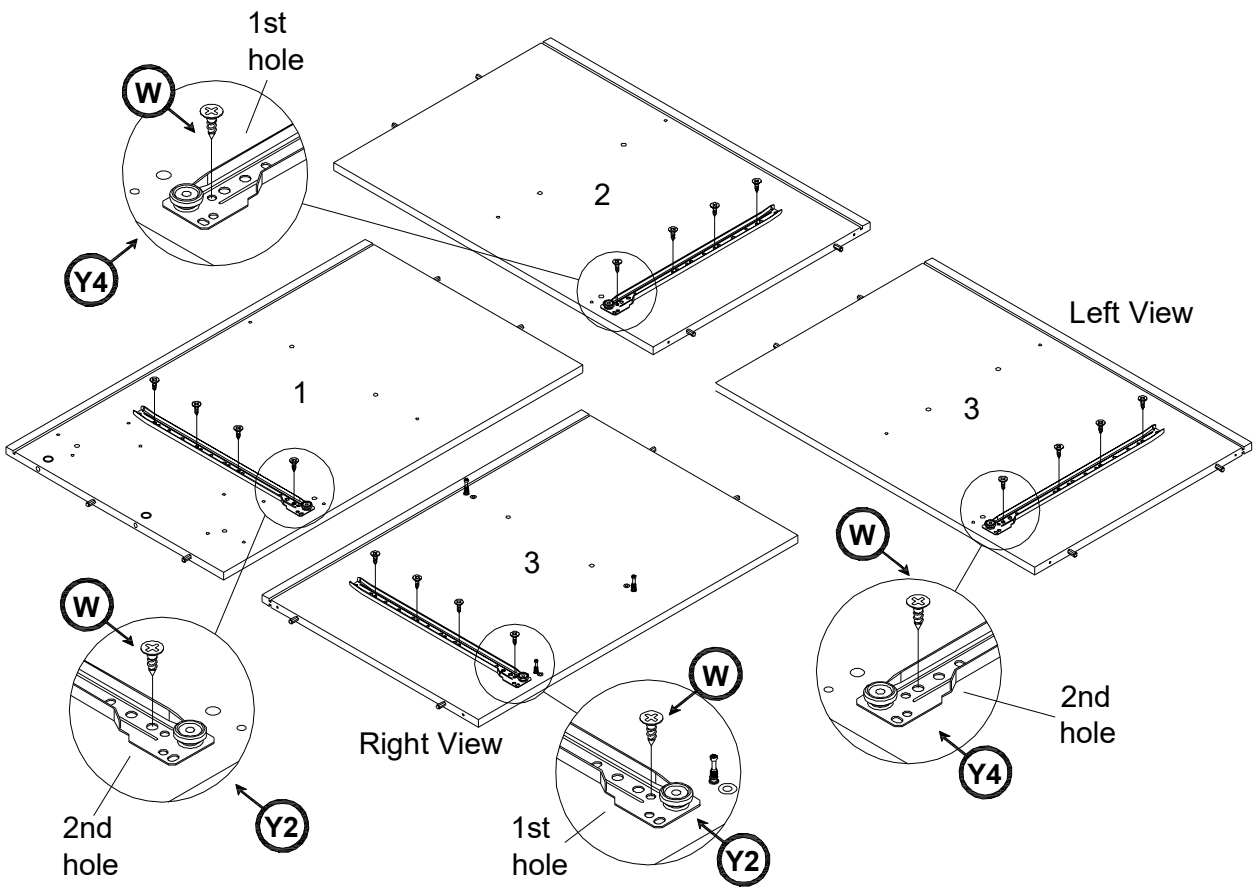


**4 pcs**

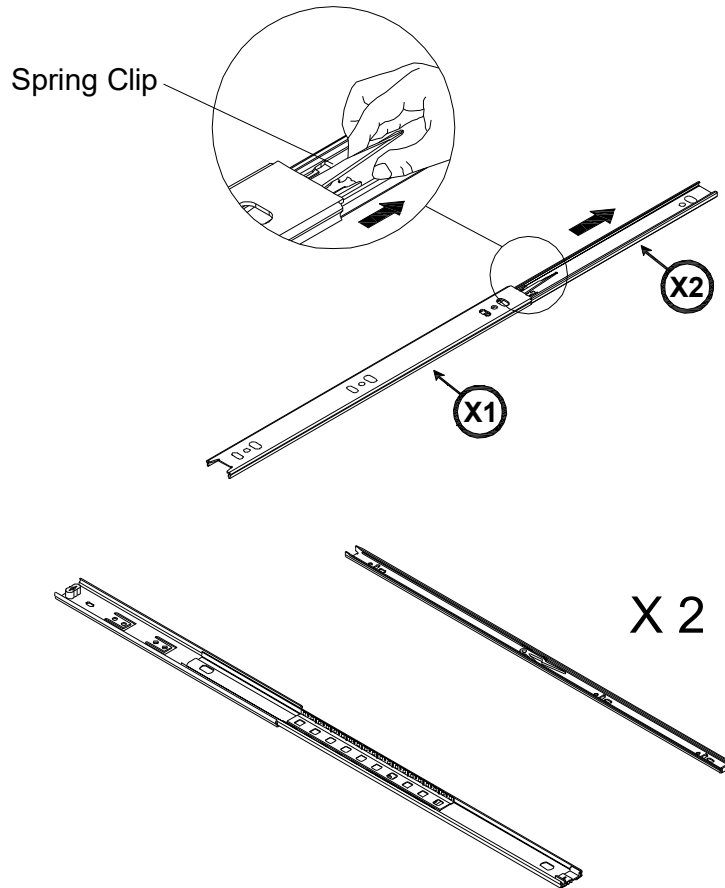


**STEP 4:**

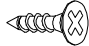
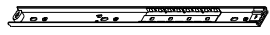
<b>W</b>	<b>Y2</b>	<b>Y4</b>
		
<b>16 pcs</b>	<b>CL 2 pcs</b>	<b>CR 2 pcs</b>

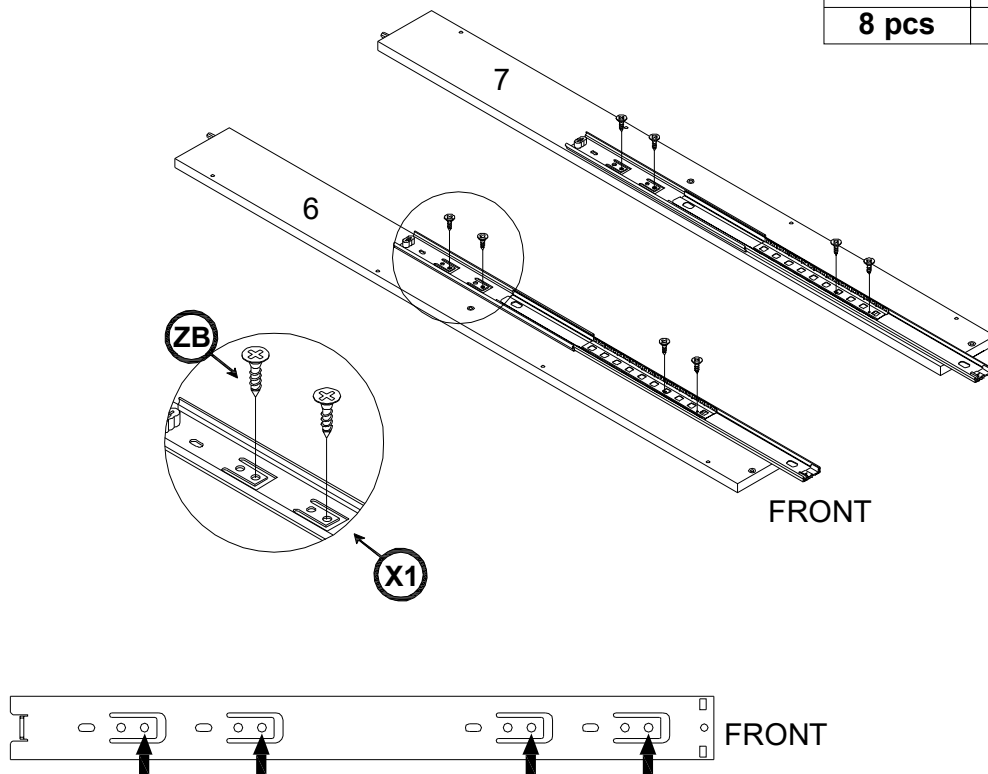


**STEP 5:**









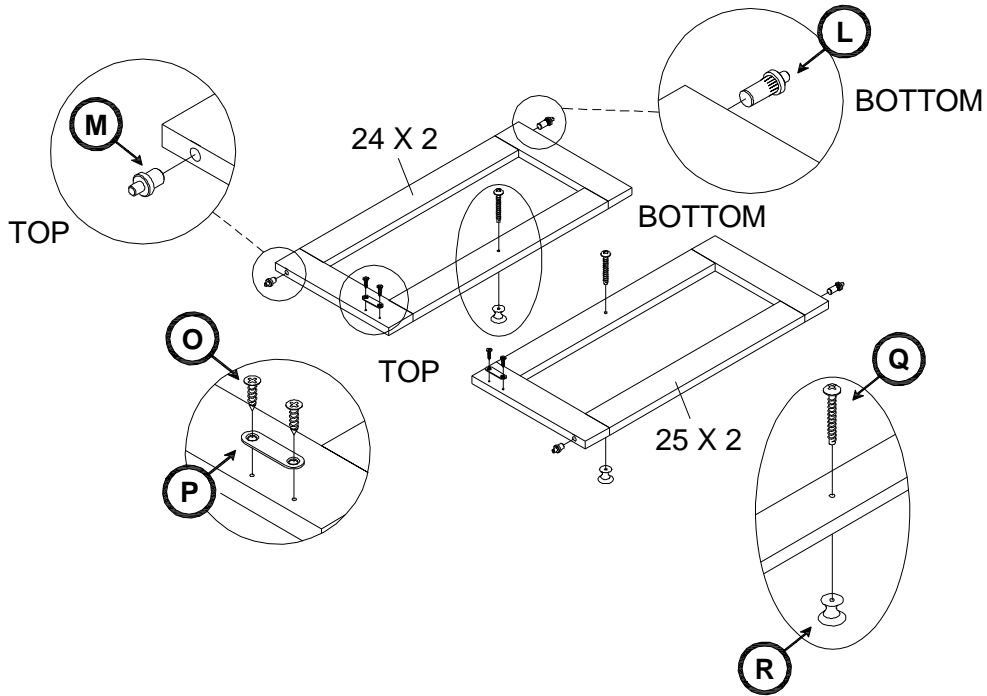
**STEP 6:**

<b>ZB</b>	<b>X1</b>
	
<b>8 pcs</b>	<b>2 pcs</b>





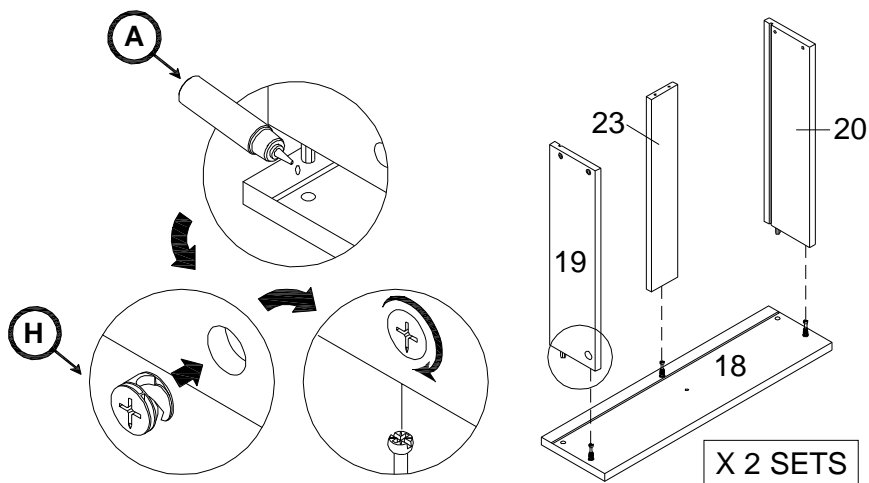
**STEP 7:**

L	M	O	P	Q	R
					
4 pcs	4 pcs	8 pcs	4 pcs	4 pcs	4 pcs



**STEP 8:**

A	H
	
1 pc	6 pcs

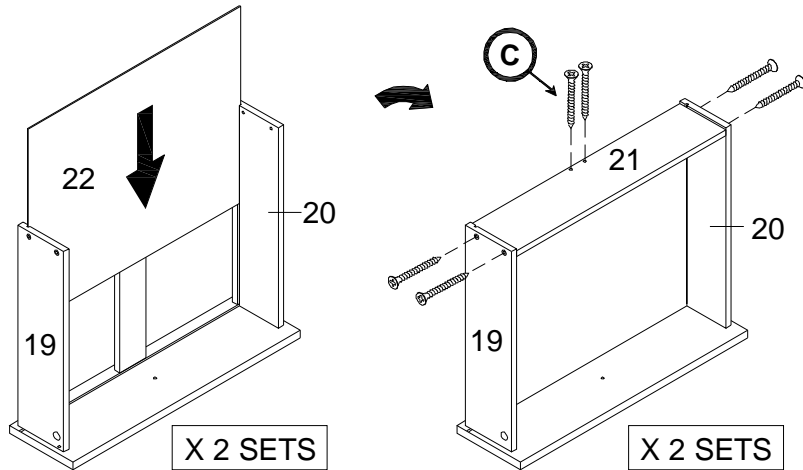


**STEP 9:**

**C**



**12 pcs**



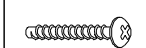
**STEP 10:**

**Q**

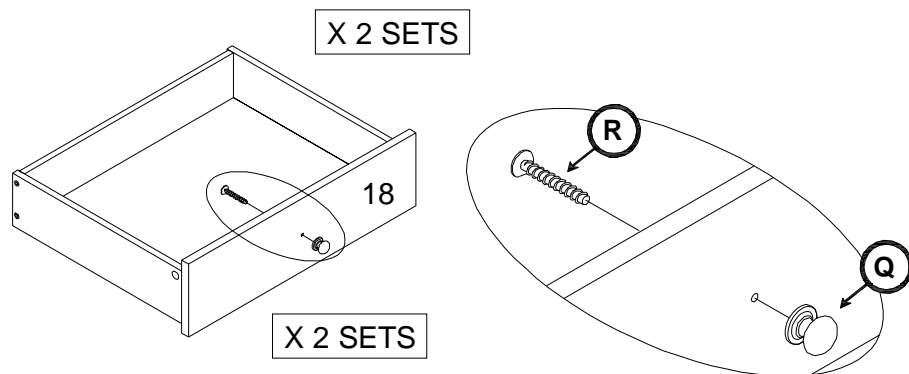


**2 pcs**


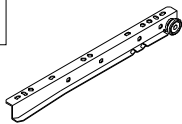
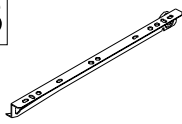
**R**

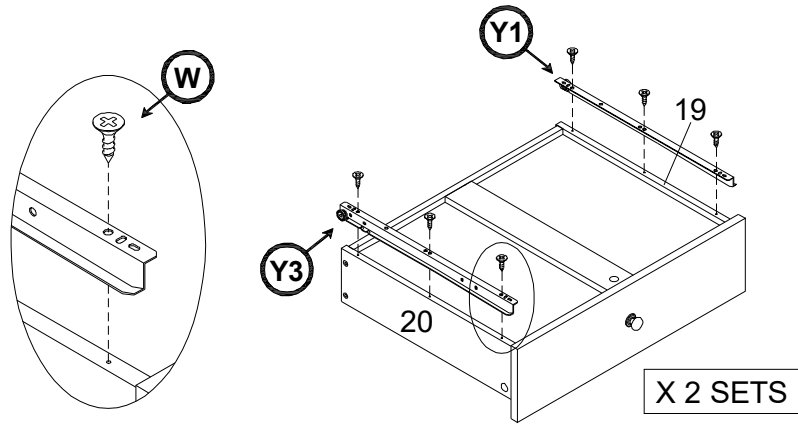


**2 pcs**





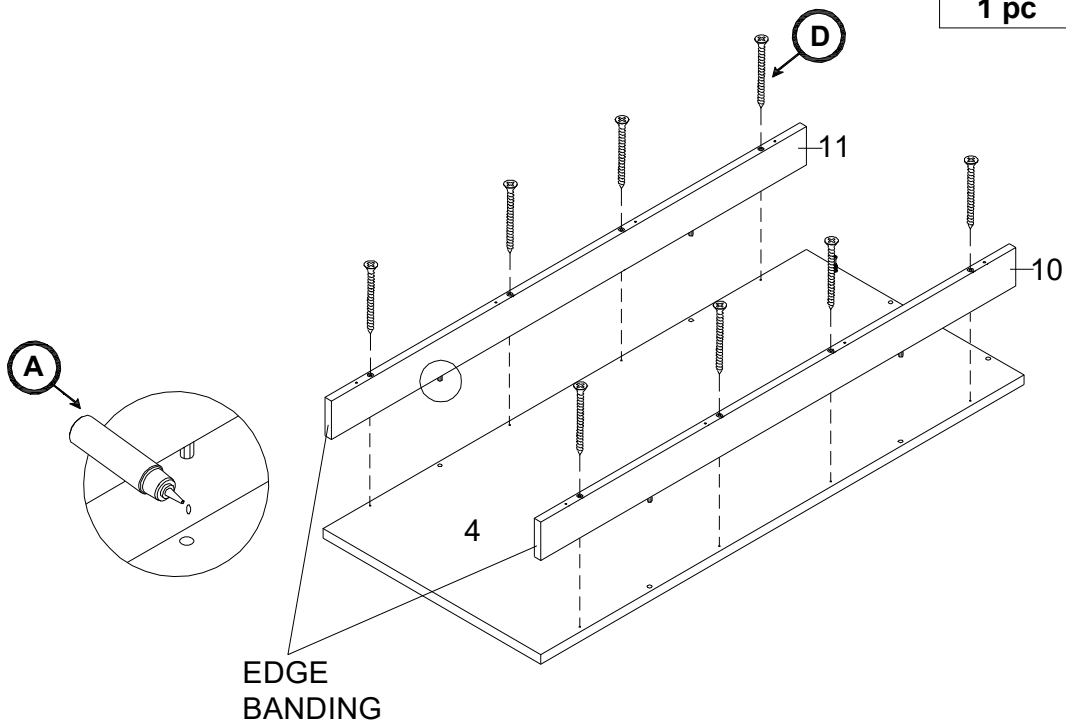
**STEP 11:**

<b>W</b>	<b>Y1</b>	<b>Y3</b>
		
<b>12 pcs</b>	<b>DL 2 pcs</b>	<b>DR 2 pcs</b>



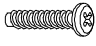



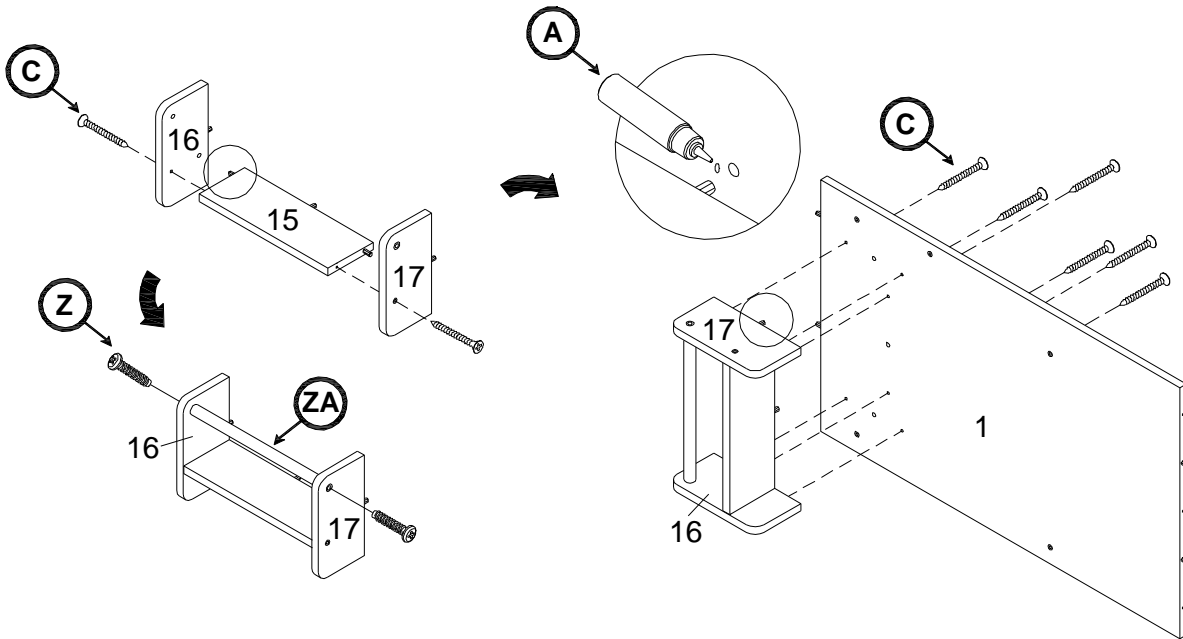
**STEP 12:**

<b>A</b>	<b>D</b>
	
<b>1 pc</b>	<b>8 pcs</b>

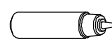



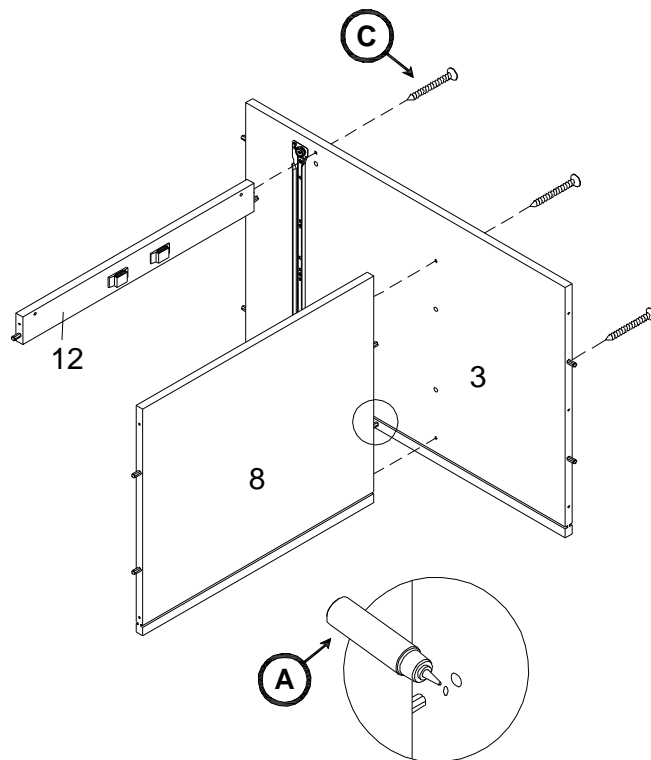
**STEP 13:**

A	C	Z	ZA
			
1 pc	8 pcs	2 pcs	1 pc

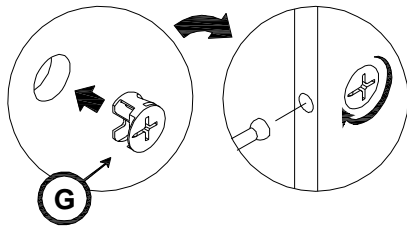


**STEP 14:**

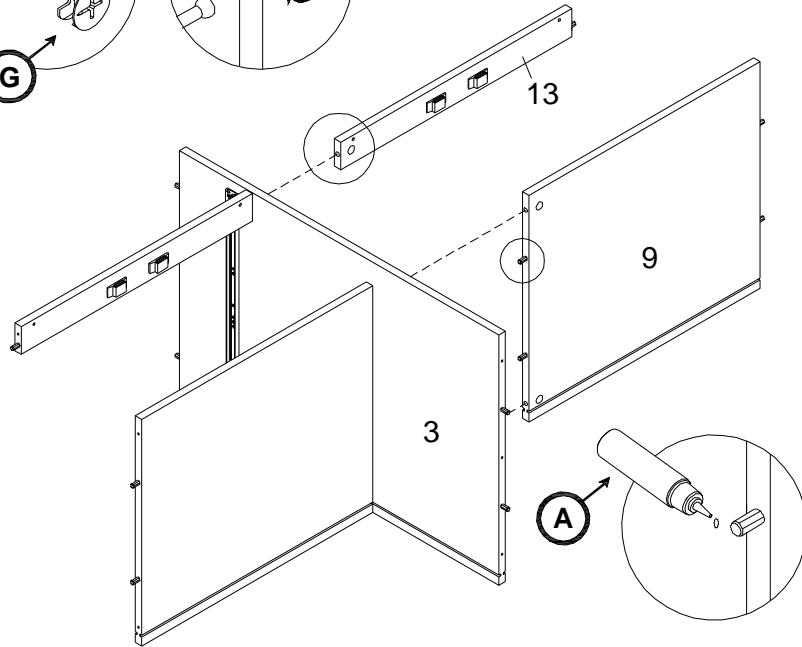
A	C
	
1 pc	3 pcs



**STEP 15:**

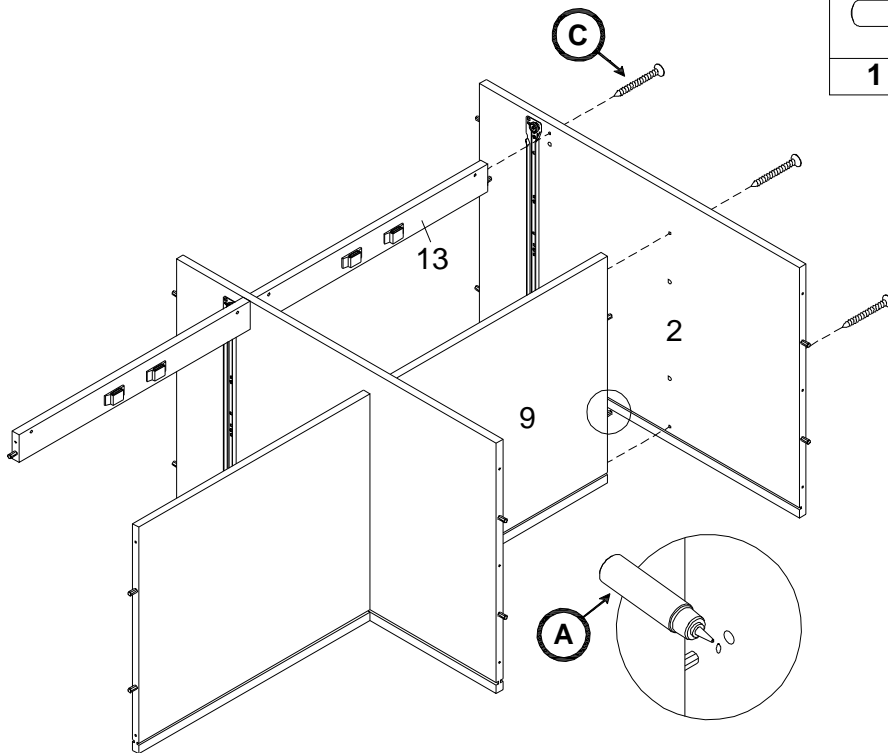


<b>A</b>	<b>G</b>
1 pc	3 pcs

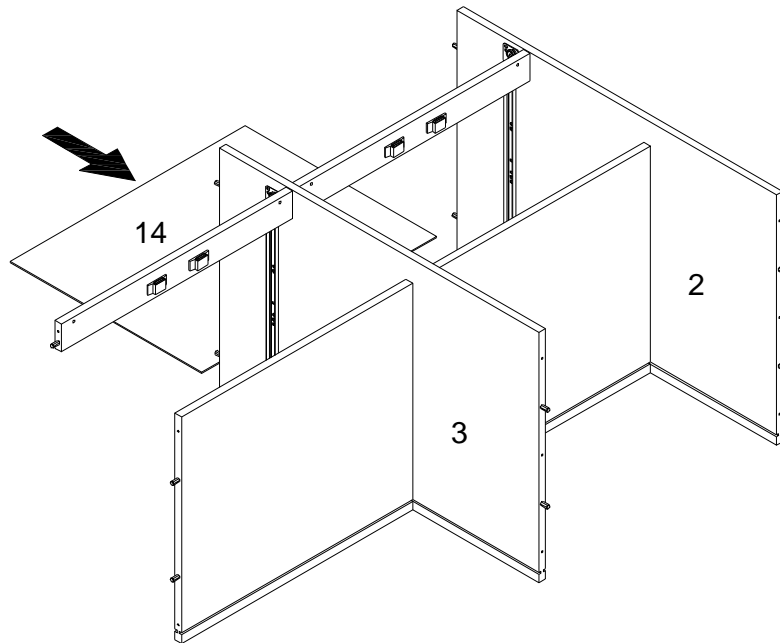


**STEP 16:**

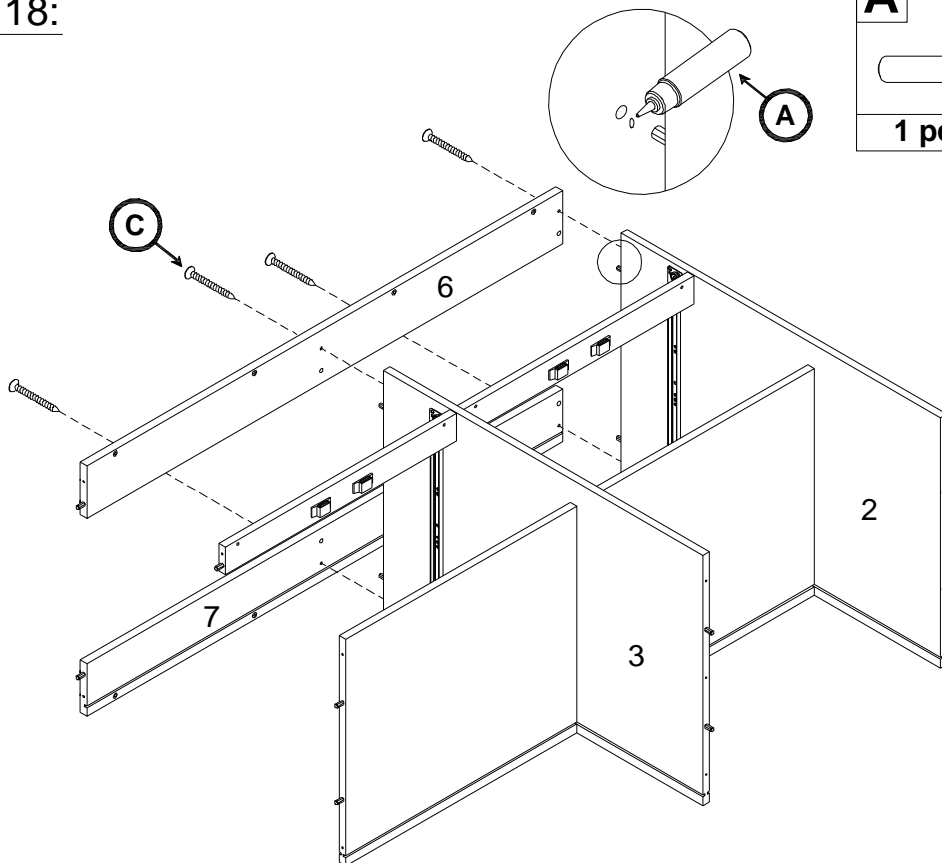
<b>A</b>	<b>C</b>
1 pc	3 pcs


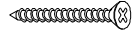


**STEP 17:**

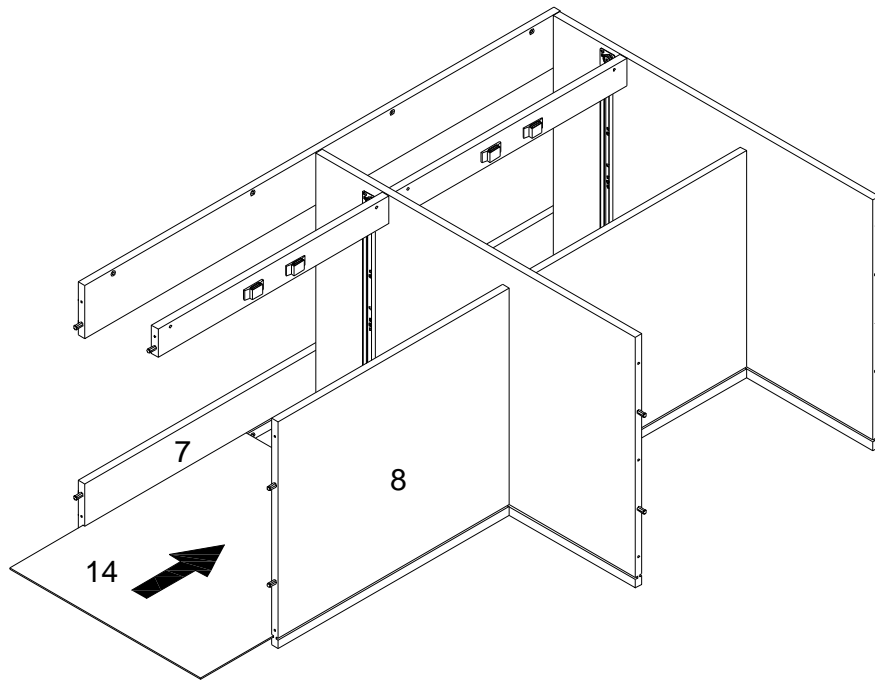


**STEP 18:**

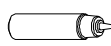
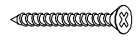


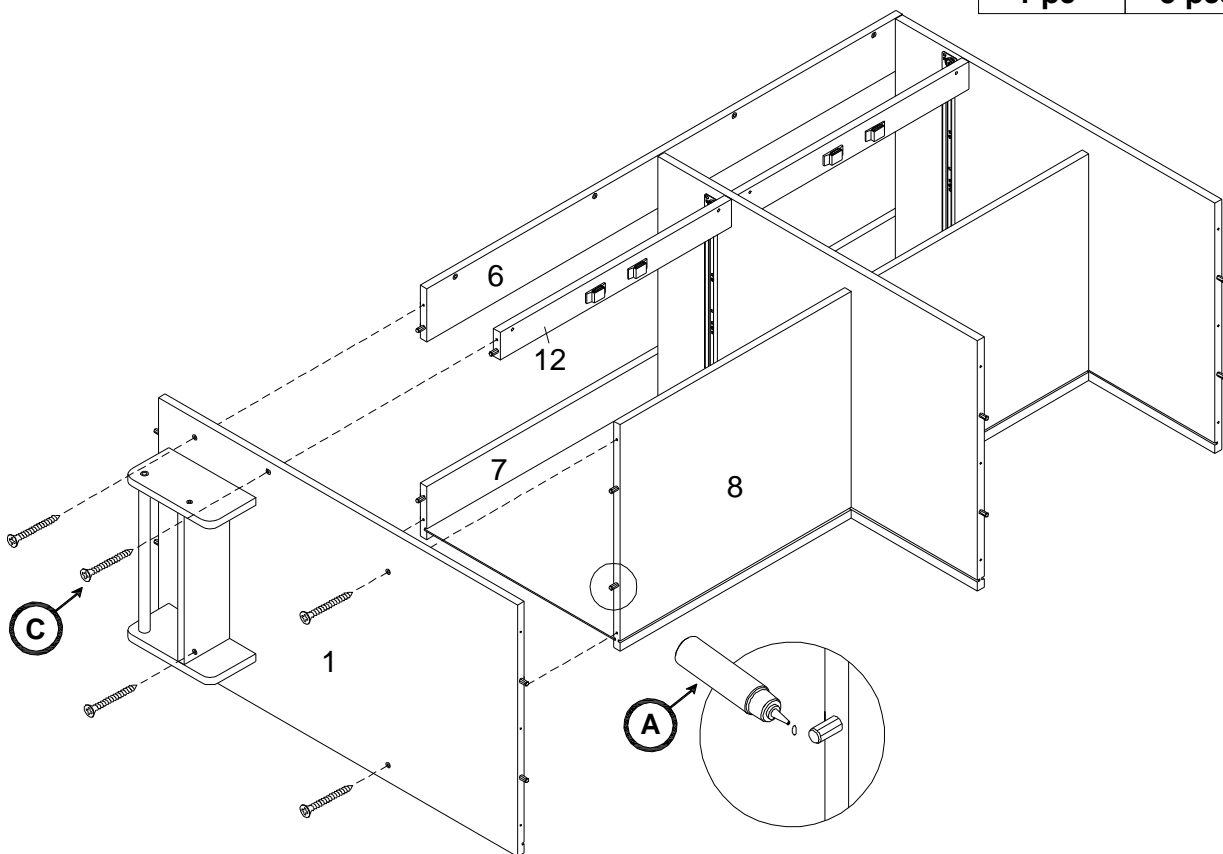
<b>A</b>	<b>C</b>
	
1 pc	4 pcs

**STEP 19:**

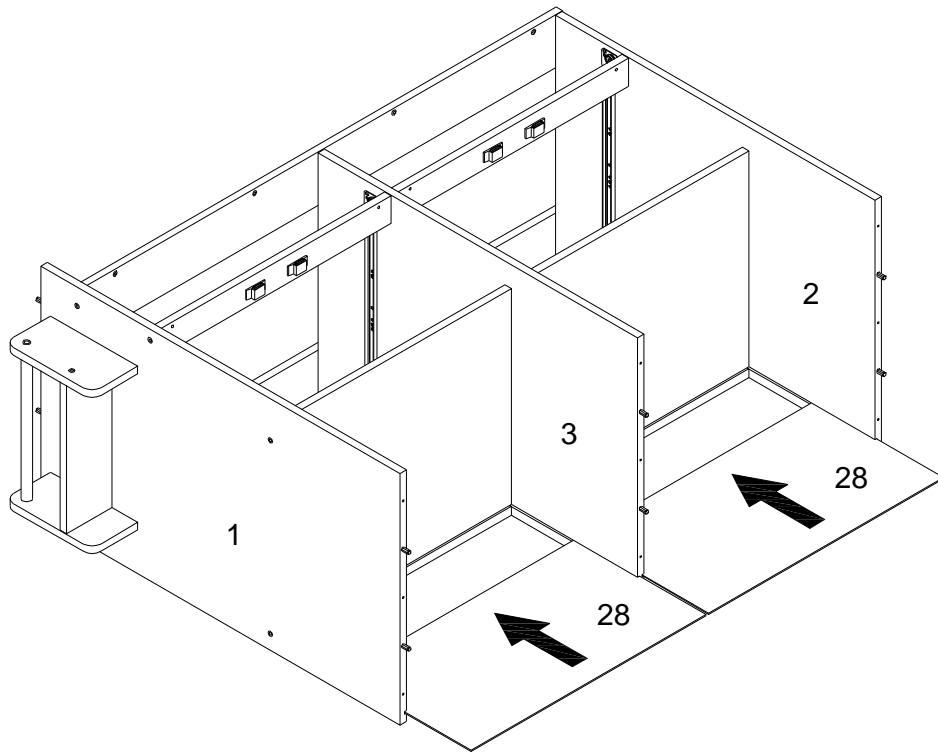


**STEP 20:**

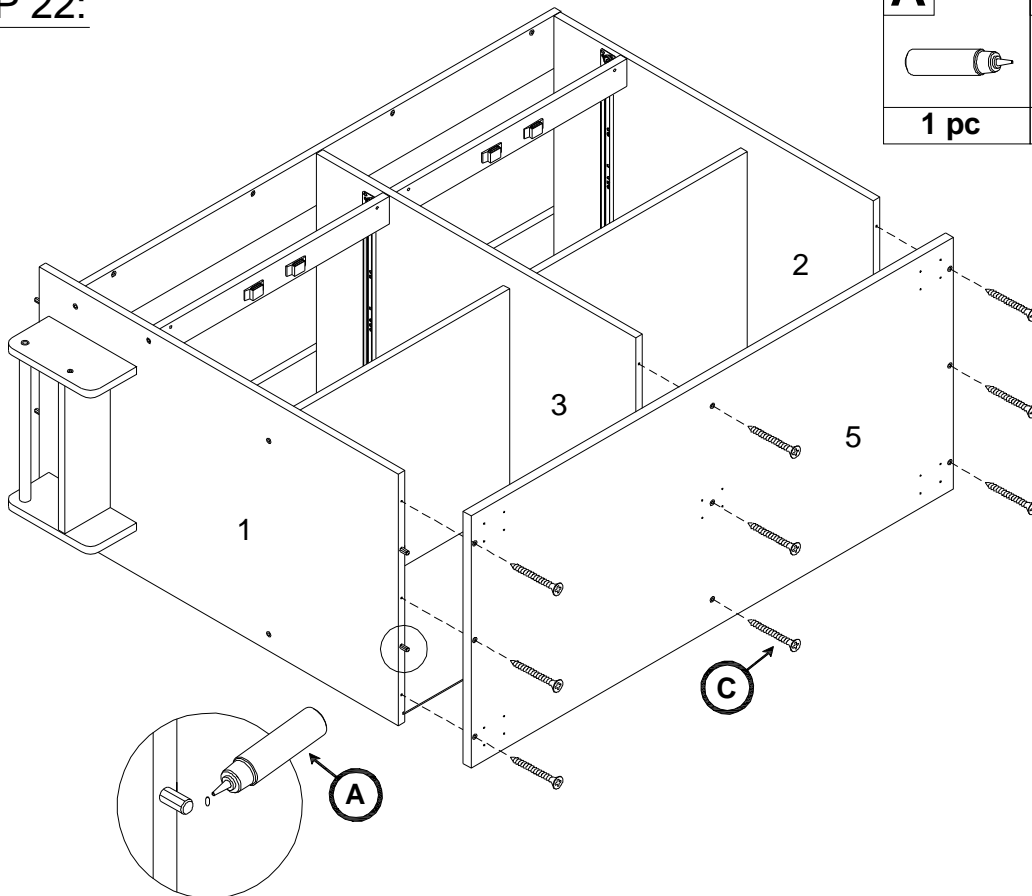
<b>A</b>	<b>C</b>
	
1 pc	5 pcs





**STEP 21:**






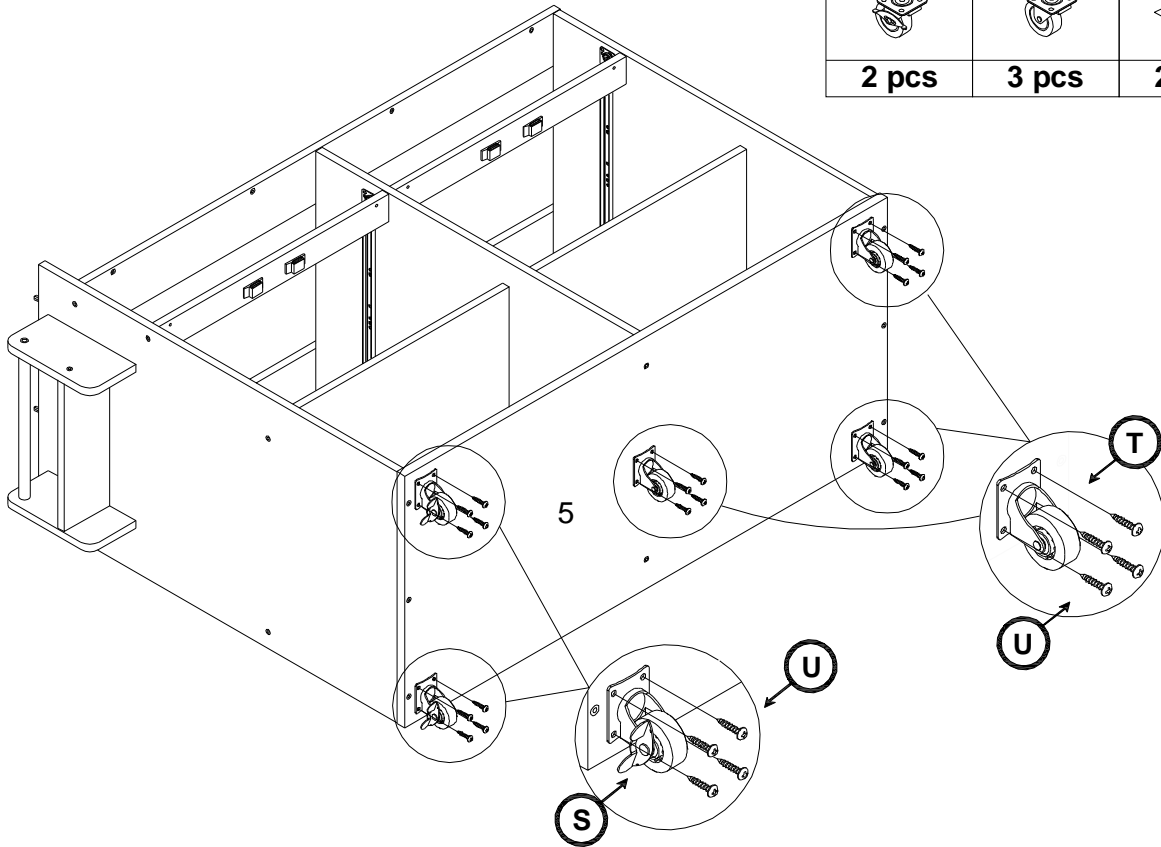
**STEP 22:**





<b>A</b>	<b>C</b>
	
1 pc	9 pcs

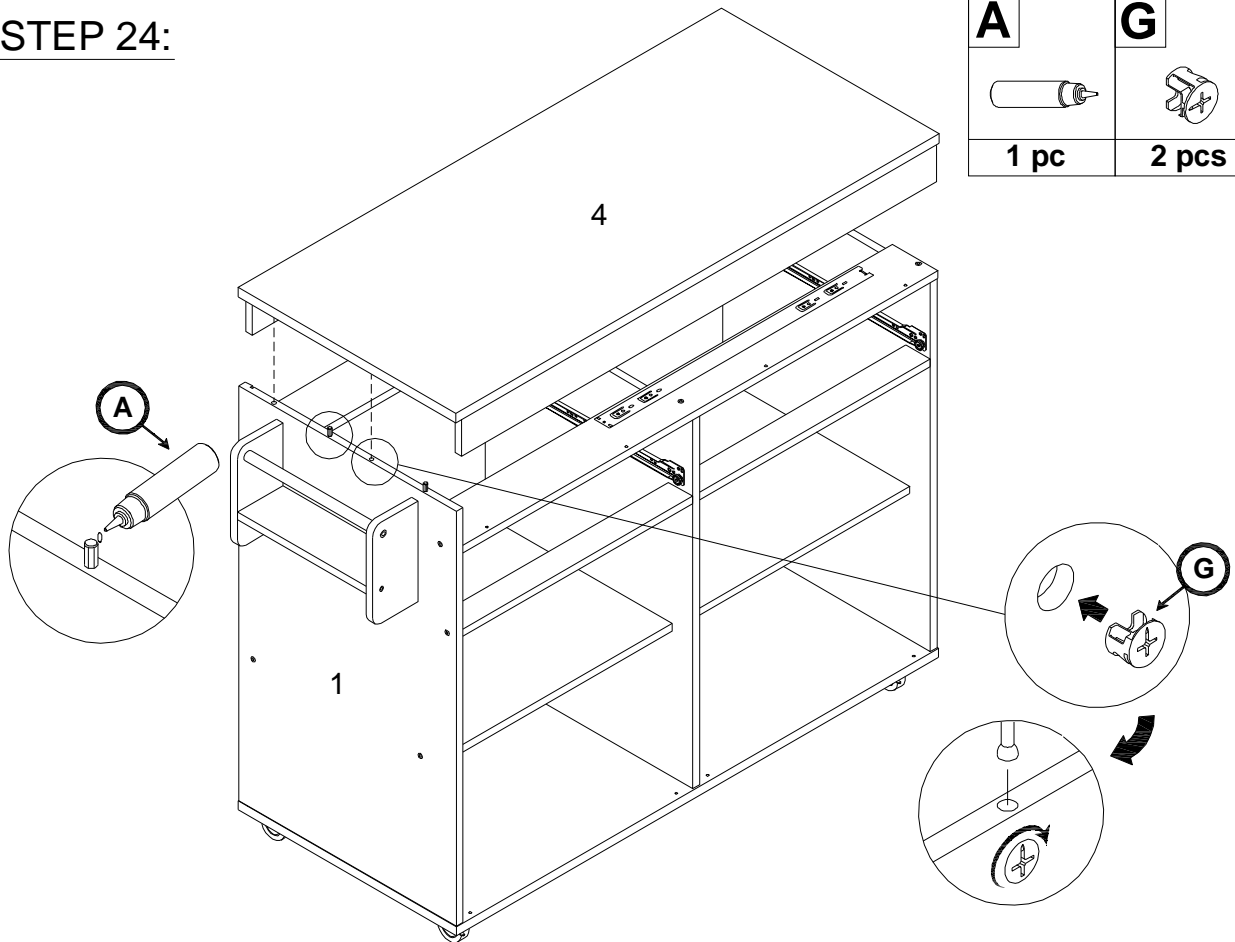
**STEP 23:**

S	T	U
		
2 pcs	3 pcs	20 pcs



**STEP 24:**

A	G
	
1 pc	2 pcs

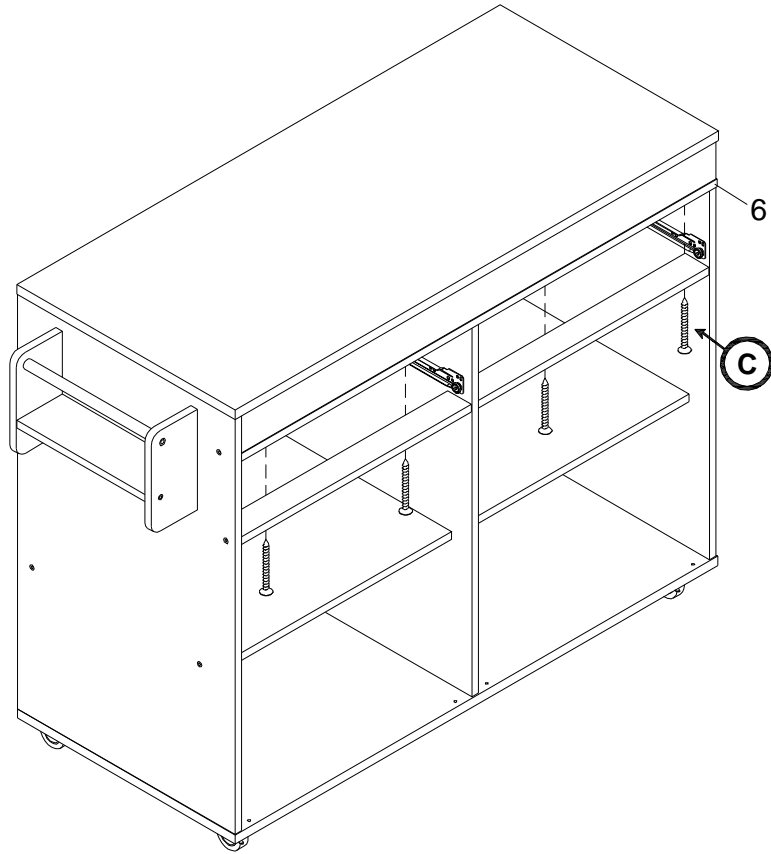


**STEP 25:**

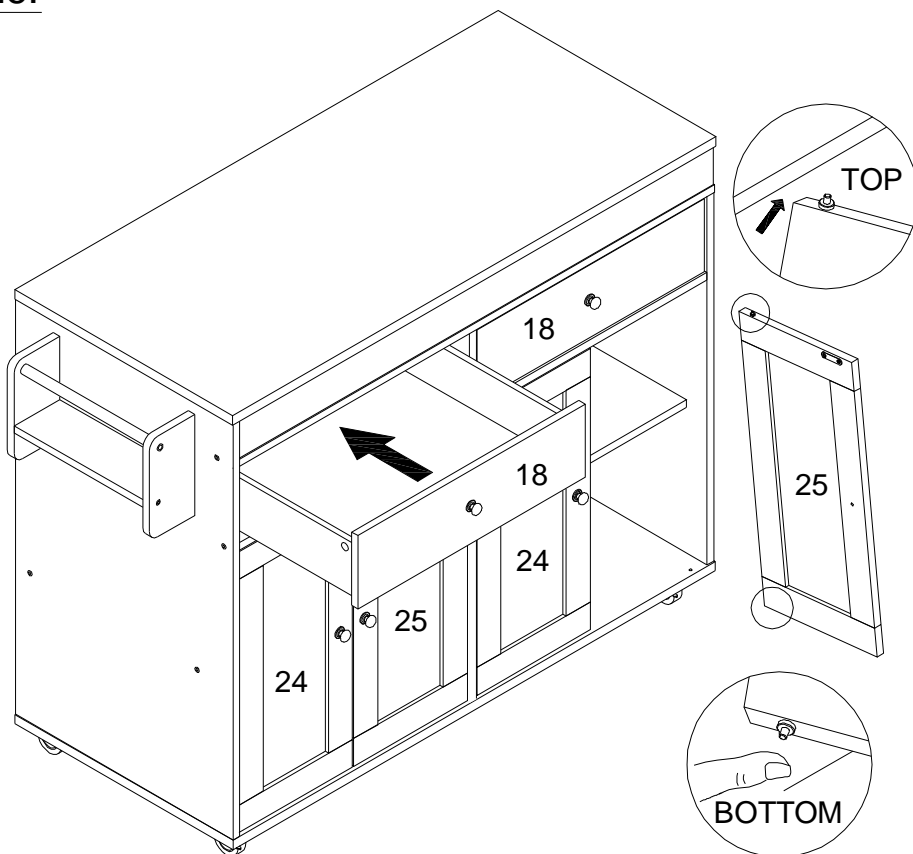
**C**



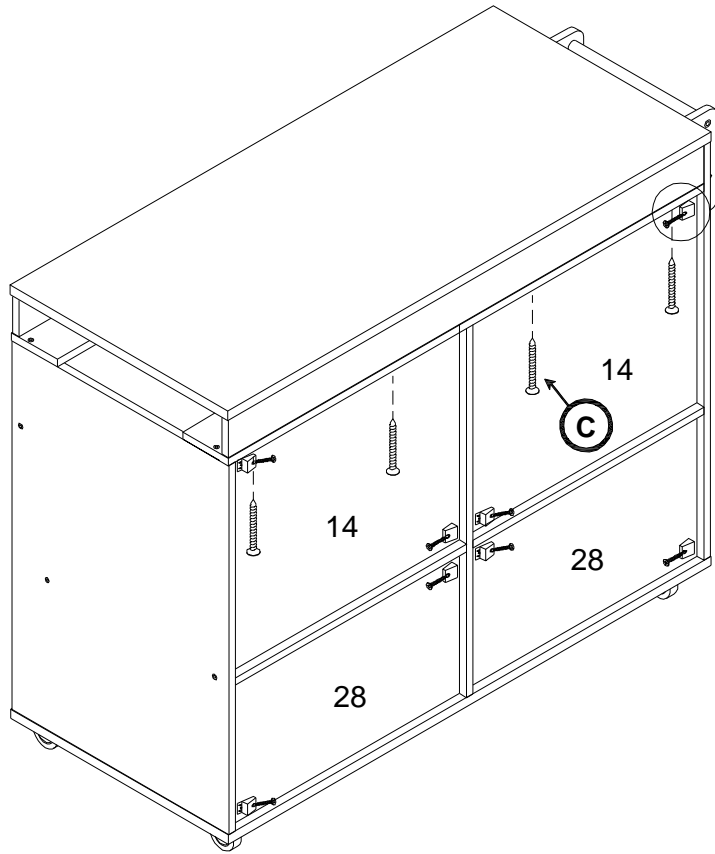
**4 pcs**

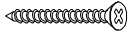




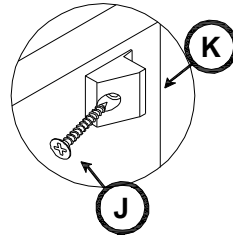
**STEP 26:**



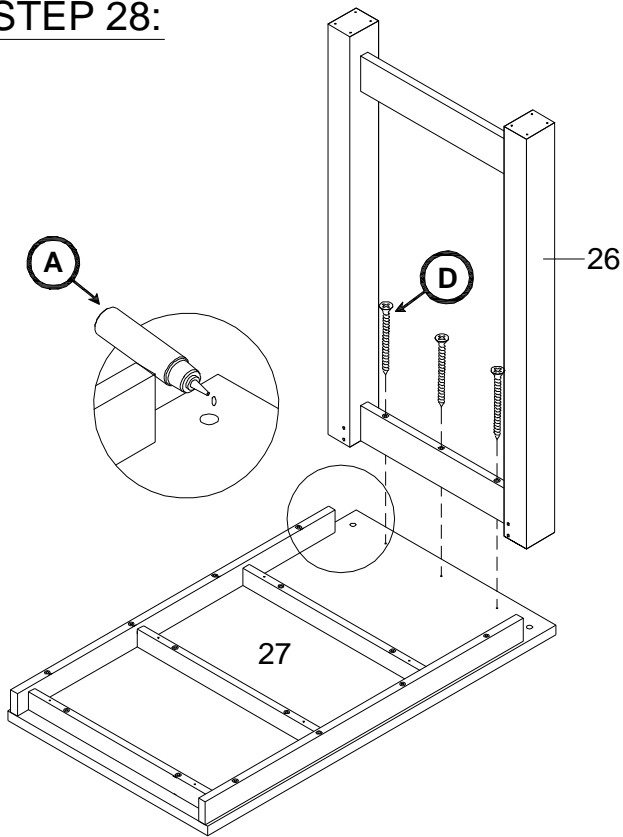
**STEP 27:**


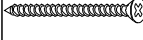
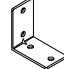
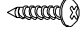


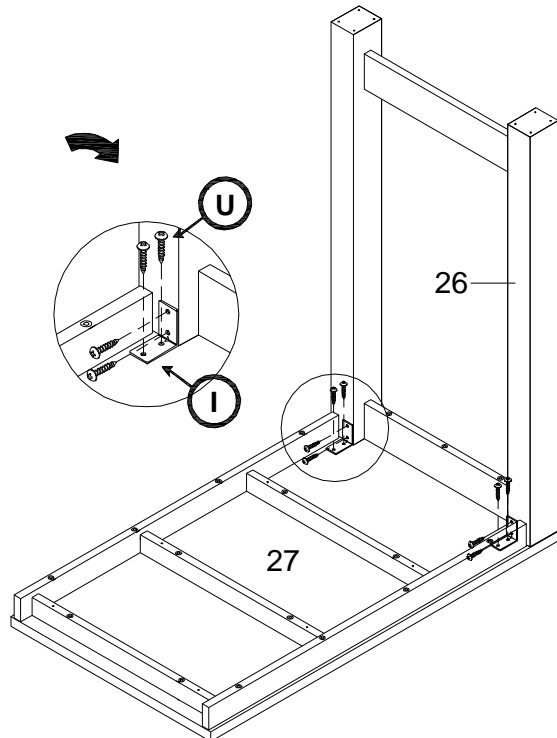
C	J	K
		
4 pcs	8 pcs	8 pcs



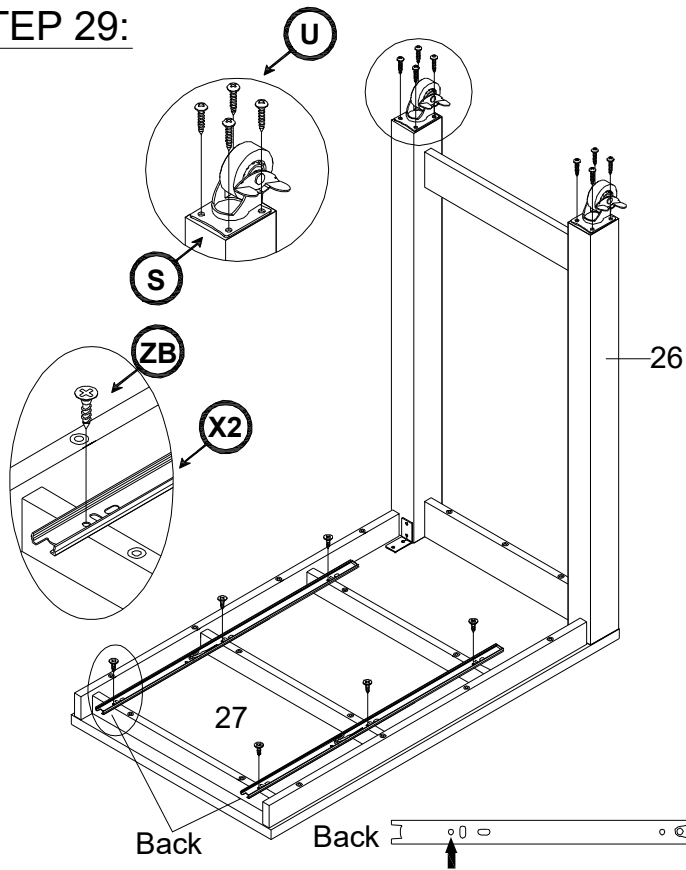
**STEP 28:**



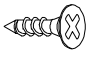
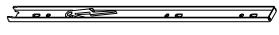


A	D	I	U
			
1 pc	3 pcs	2 pcs	8 pcs

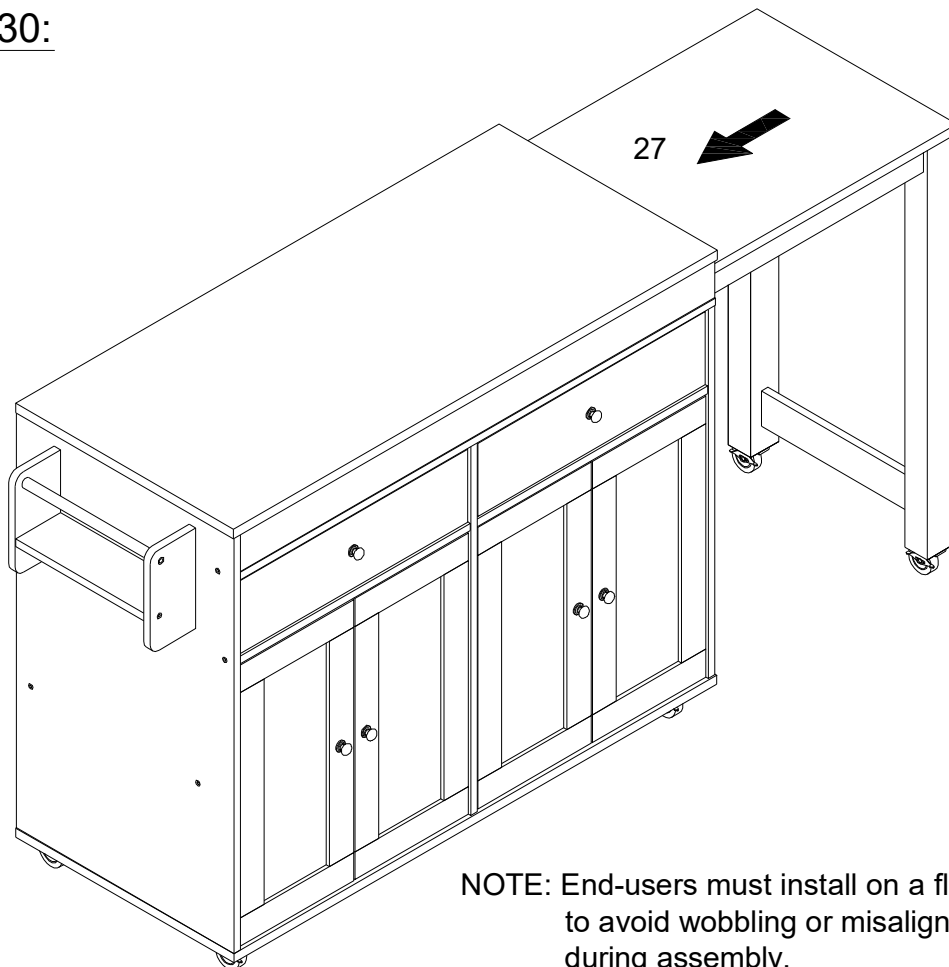


**STEP 29:**



S	U	ZB
		
2 pcs	8 pcs	6 pcs
<b>X2</b>		
		
2 pcs		

**STEP 30:**



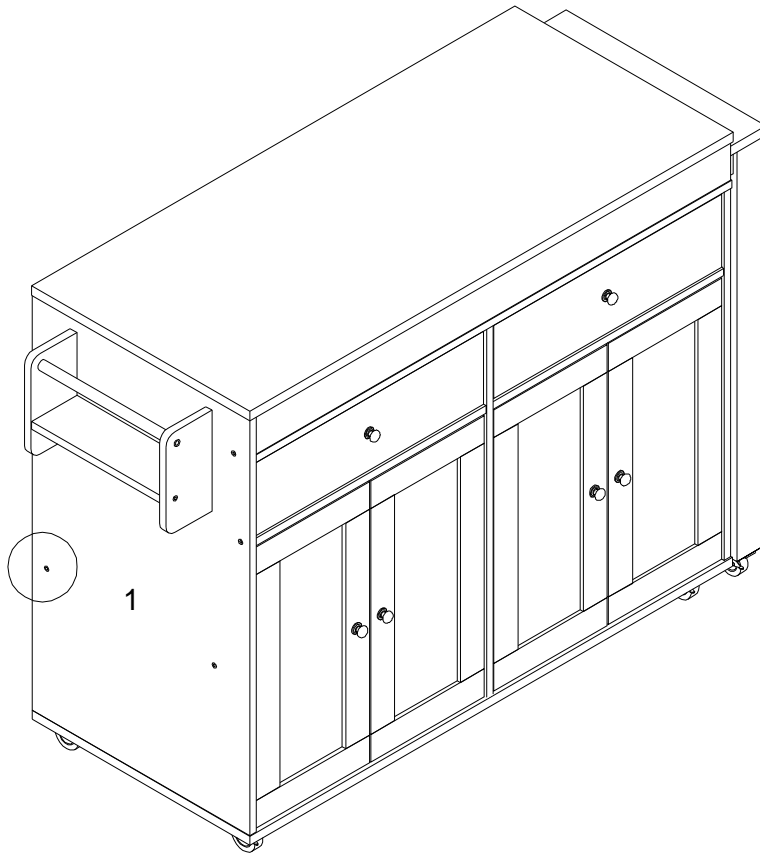
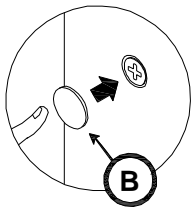
**NOTE:** End-users must install on a flat surface to avoid wobbling or misalignment during assembly.

STEP 31:

**B**

0

12 pcs



COMPLETE

