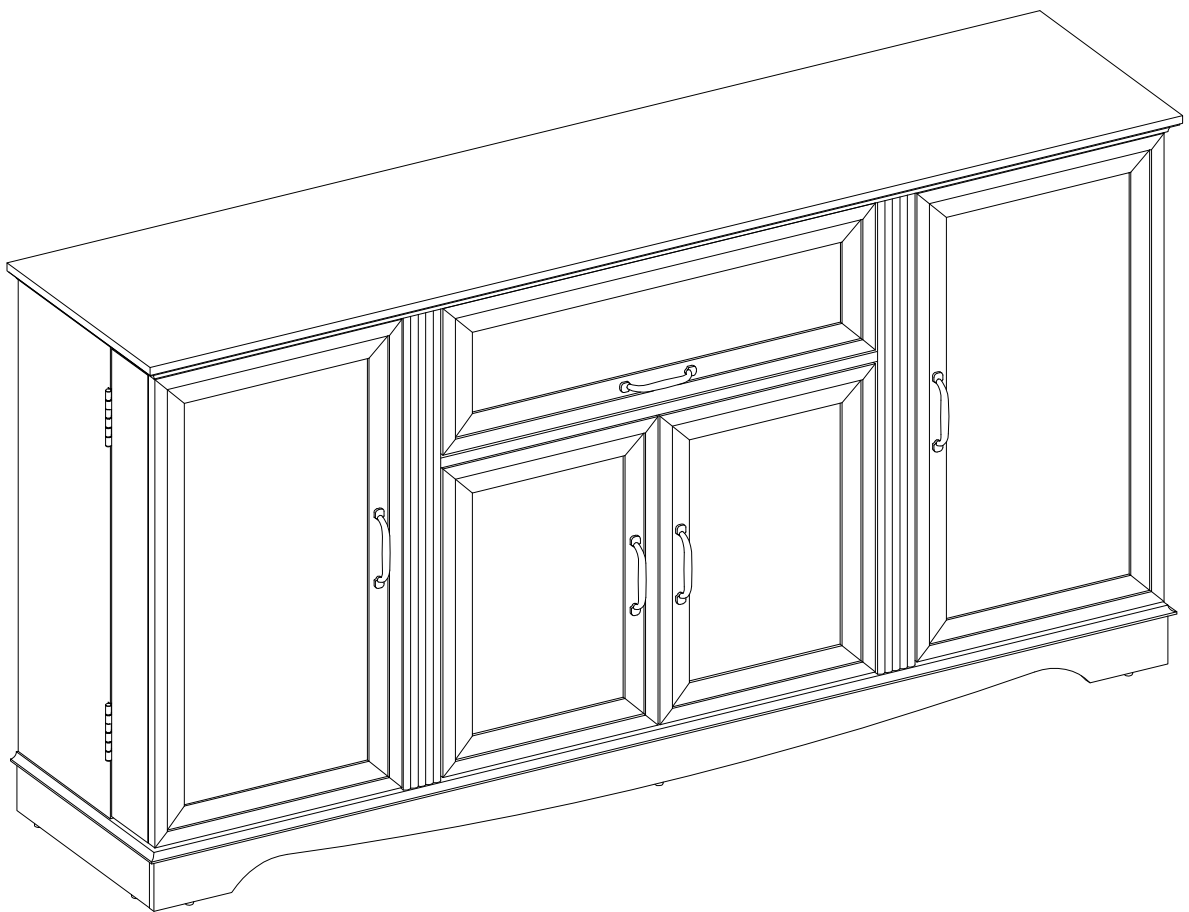
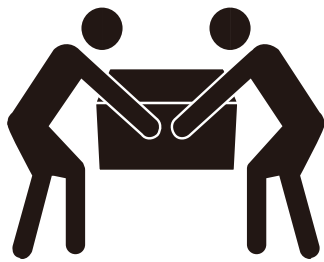


ASSEMBLY INSTRUCTIONS

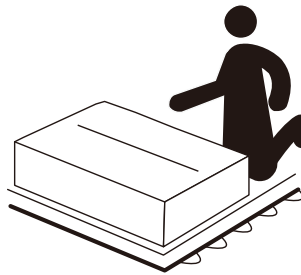


Notice:

1. Please unbox the item from the side with an open label and put a carpet on the floor to avoid scratching it.
2. Follow the installation instructions carefully. before installation, please ensure that all accessories are present. For large items, we advise you to install them with 2 or more people for faster and safer installation.
3. Do not fully tighten the screws during initial assembly. Fully tighten the screws only once all pieces are correctly assembled.
4. Do not stand, climb, or swing on the product.
5. If you encounter any problems during installation, please contact our customer service.



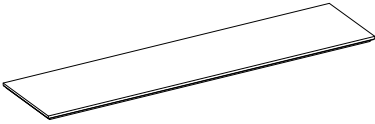
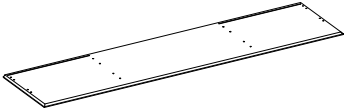
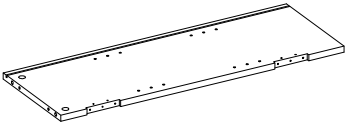
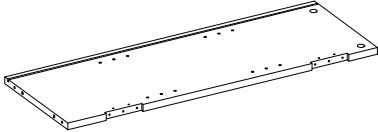
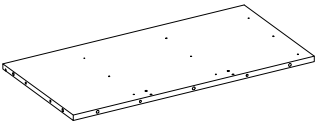
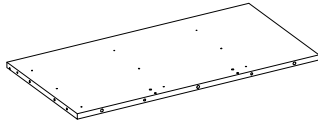
Recommended installers:2

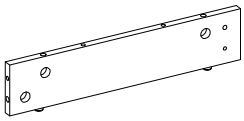
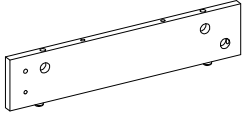
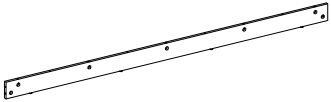

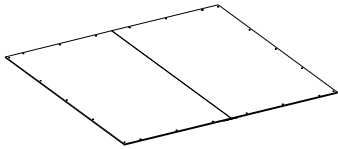
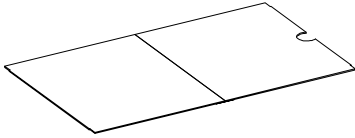
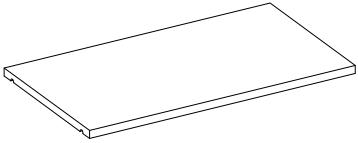
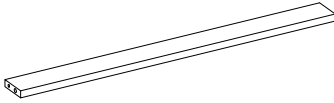
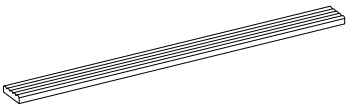
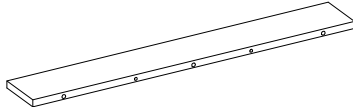
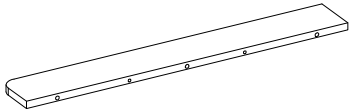
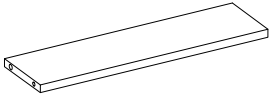
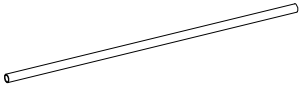
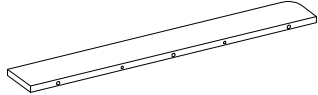


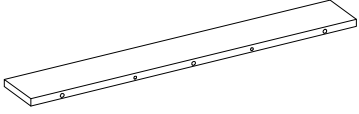
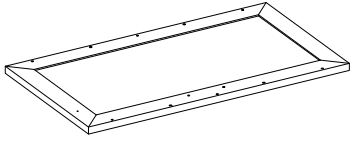
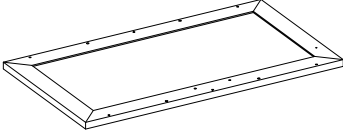
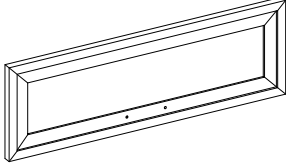
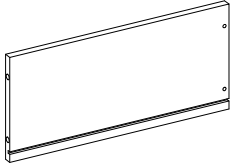
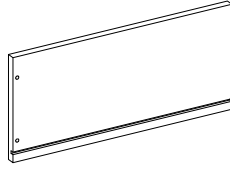
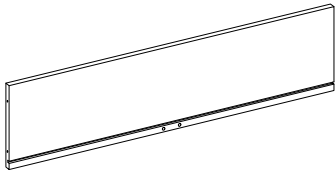
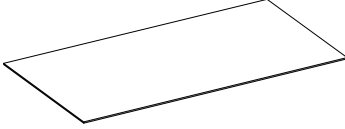
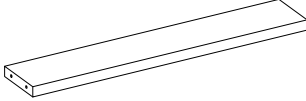
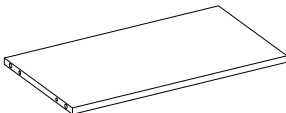
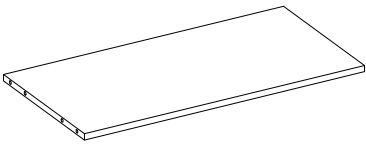
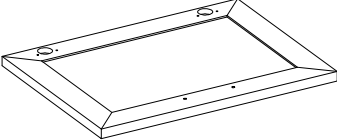
Put a carpet on the floor before unpcking

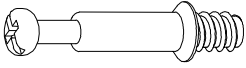
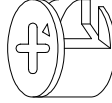
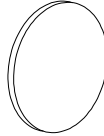
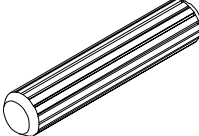
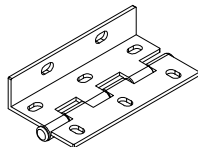


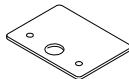

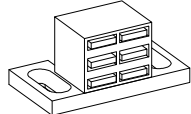
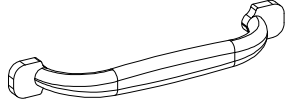



SAFETY TIPS:

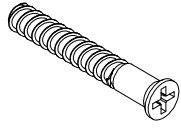
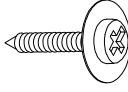
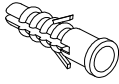


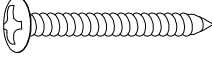
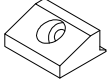
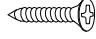
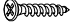
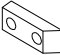
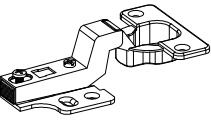
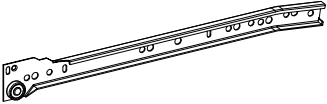
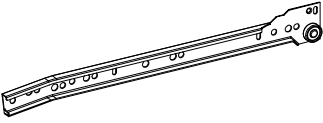
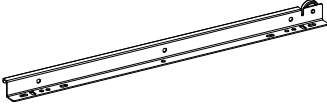
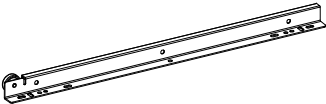
Static charge may cause dust on foam - clean with a dry or damp cloth.
Small foam strands may be present - handle gently and dispose of properly.
Do not burn or incinerate.
Check local recycling guidelines.

Item no.	Reference Image	Qty.	Item no.	Reference Image	Qty.
1		×1	2		×1
3		×1	4		×1
5		×1	6		×1

Item no.	Reference Image	Qty.	Item no.	Reference Image	Qty.
7		×1	8		×1
9		×1	10		×1
11		×1	12		×2
13		×2	14		×1
15		×2	16		×1
17		×1	18		×6
19		×6	20		×1

Item no.	Reference Image	Qty.	Item no.	Reference Image	Qty.
21		×1	22		×1
23		×1	24		×1
25		×1	26		×1
27		×1	28		×1
29		×1	30		×2
31		×1	32		×2

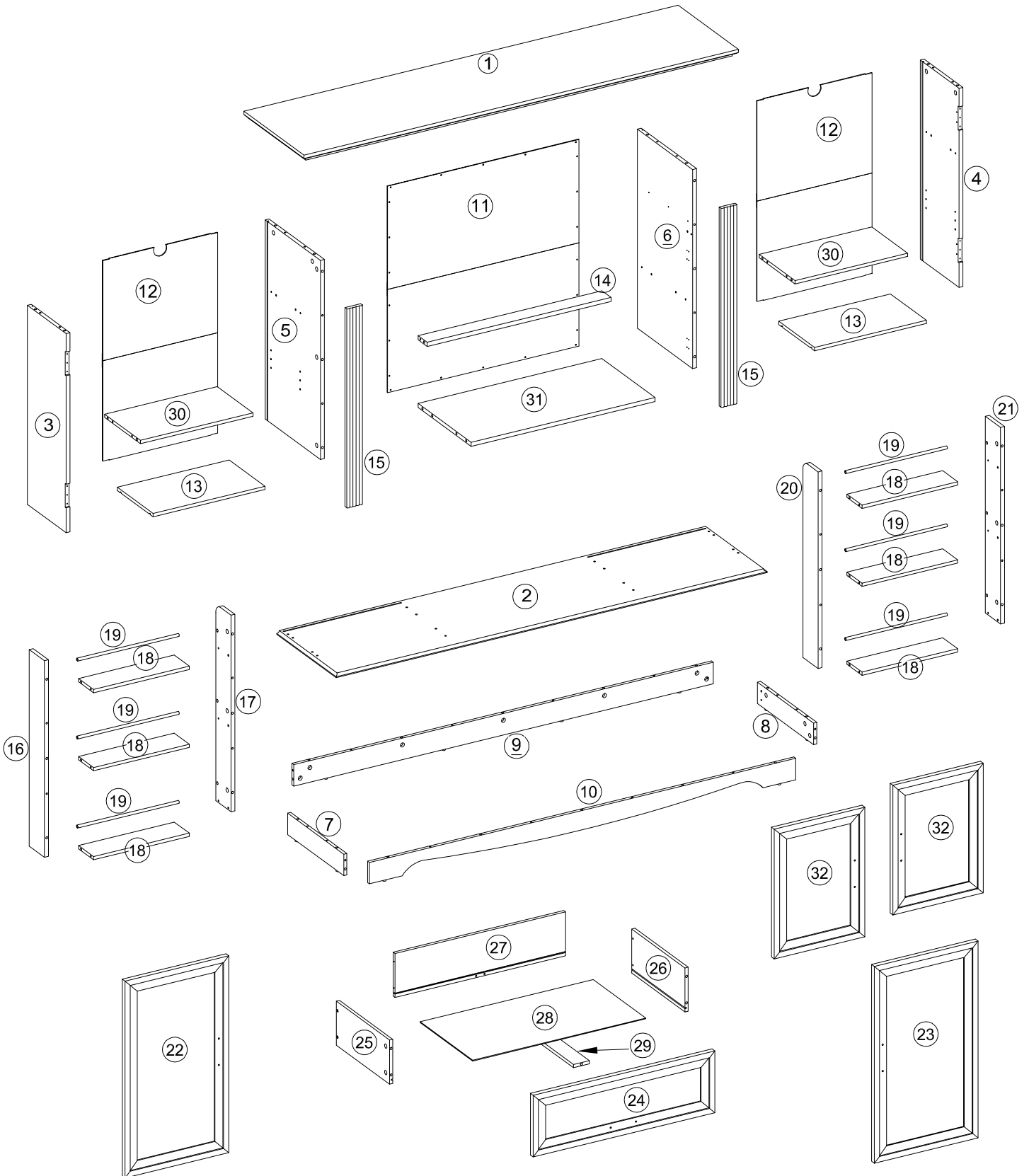
Item no.	Reference Image	Qty.	Item no.	Reference Image	Qty.
A		× 75 ₊₂	B	 φ15x9.5mm	× 75 ₊₂
C	 φ30mm	× 75 ₊₂	D	 φ6x30mm	× 70 ₊₂
E		× 4	F	 φ4x20mm	× 24 ₊₂
G	 φ4x15mm	× 8 ₊₂	H		× 2
I	 φ3.5x14mm	× 6	J		× 2
K		× 5	L	 φ4x19mm	× 10 ₊₂
M	 φ4x38mm	× 6	N		× 8 ₊₂

Item no.	Reference Image	Qty.	Item no.	Reference Image	Qty.
O	 ø5*50mm	× 8+2	P	 ø3.5x12mm	× 22+2
Q		× 2	R	 ø4x12mm	× 2
S		× 2	T	 ø4x35mm	× 2
U		× 16+2	V	 ø3x15mm	× 16+2
W	 ø3.5x12mm	× 38+2	X		× 1
Y		× 4			
CL		× 1	CR		× 1
DL		× 1	DR		× 1

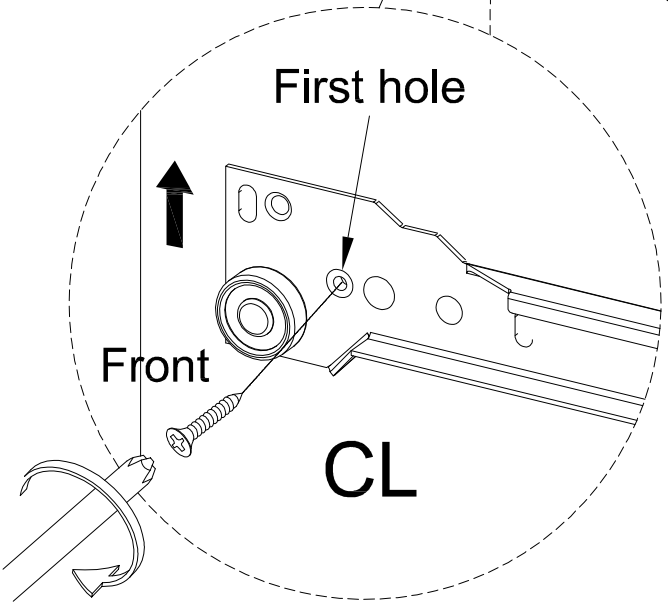
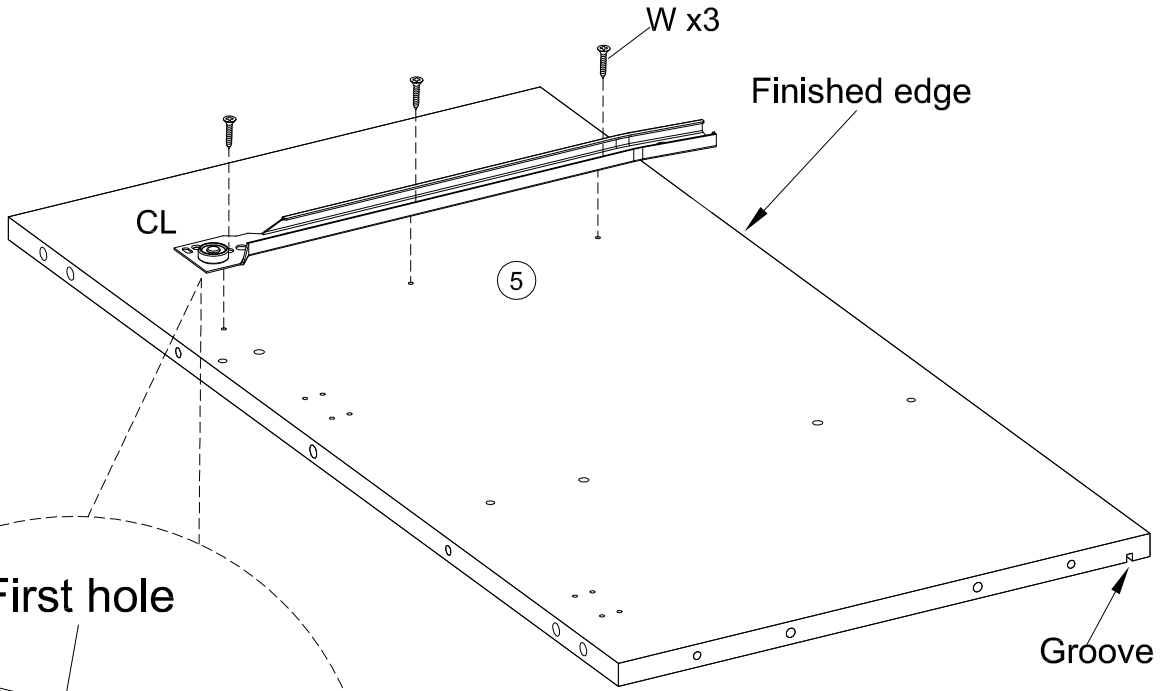
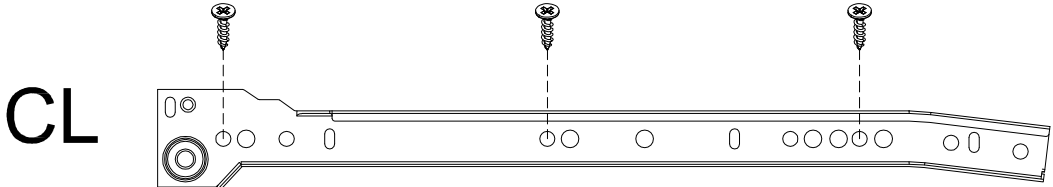
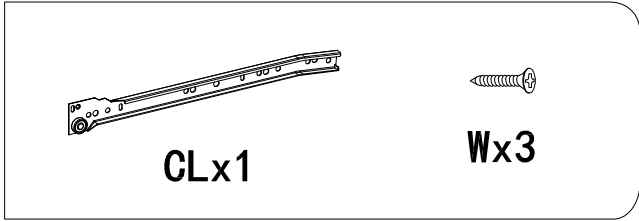


Tips: The number after "+" represents the spare hardware.

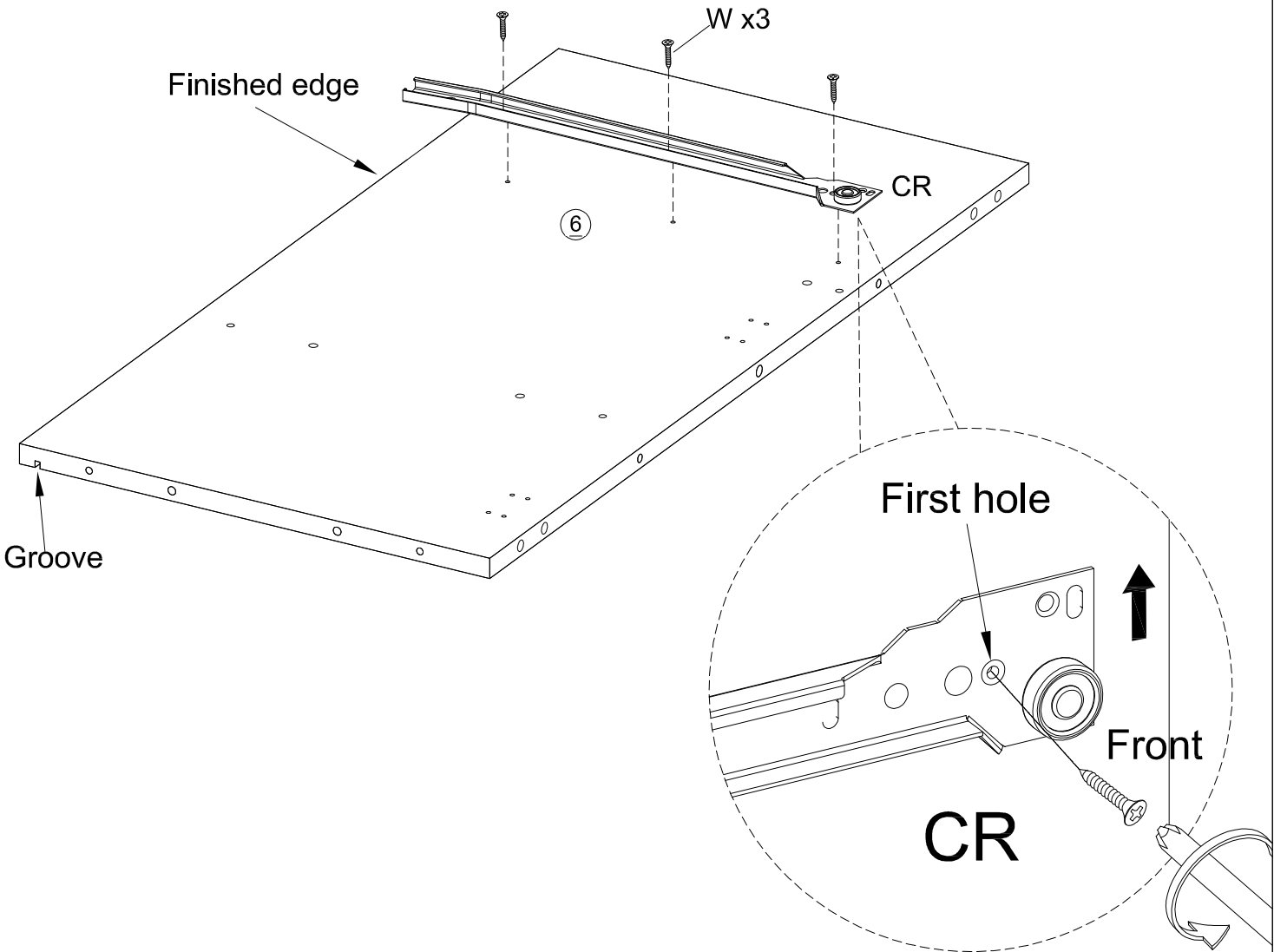
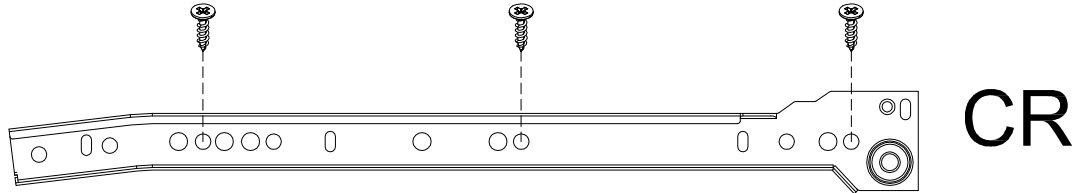
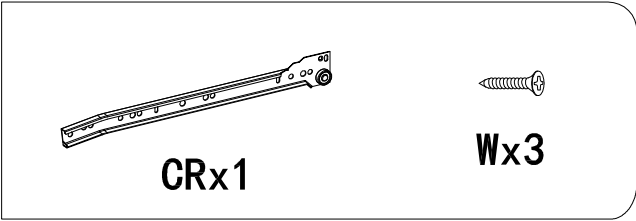
Explosion Diagram



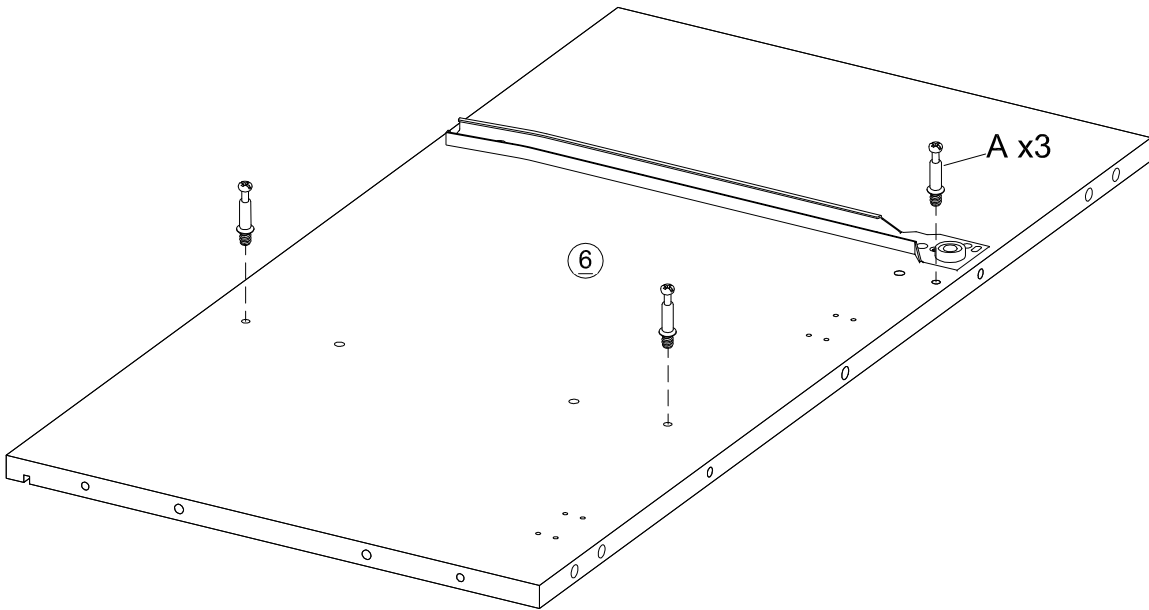
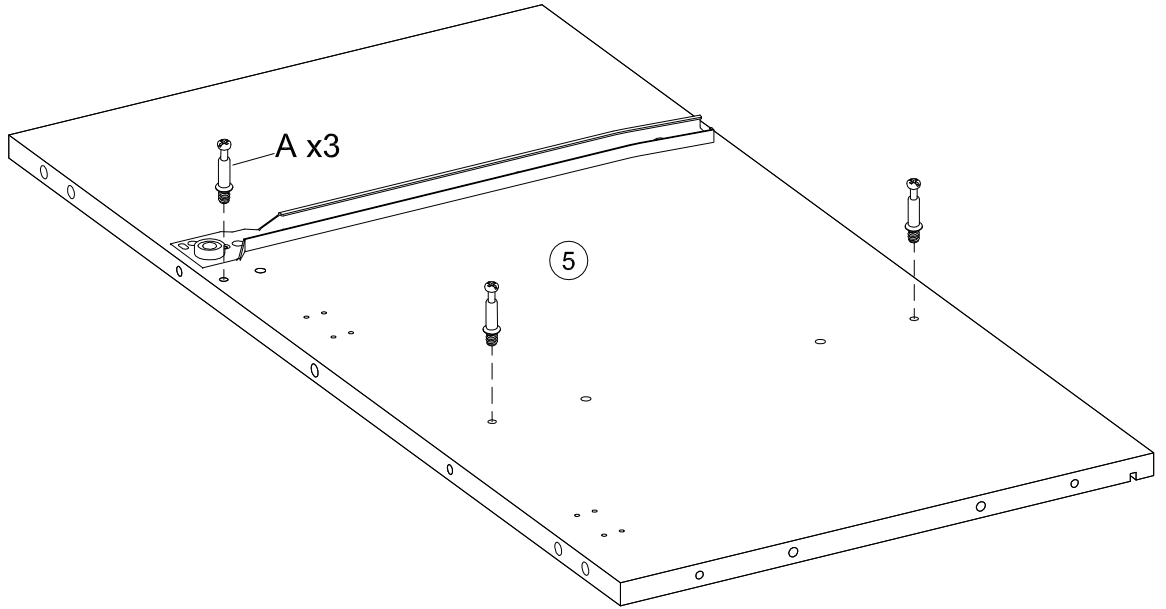
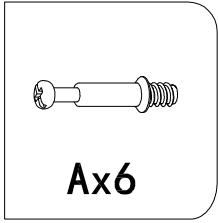
1



2



3



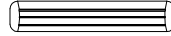
4



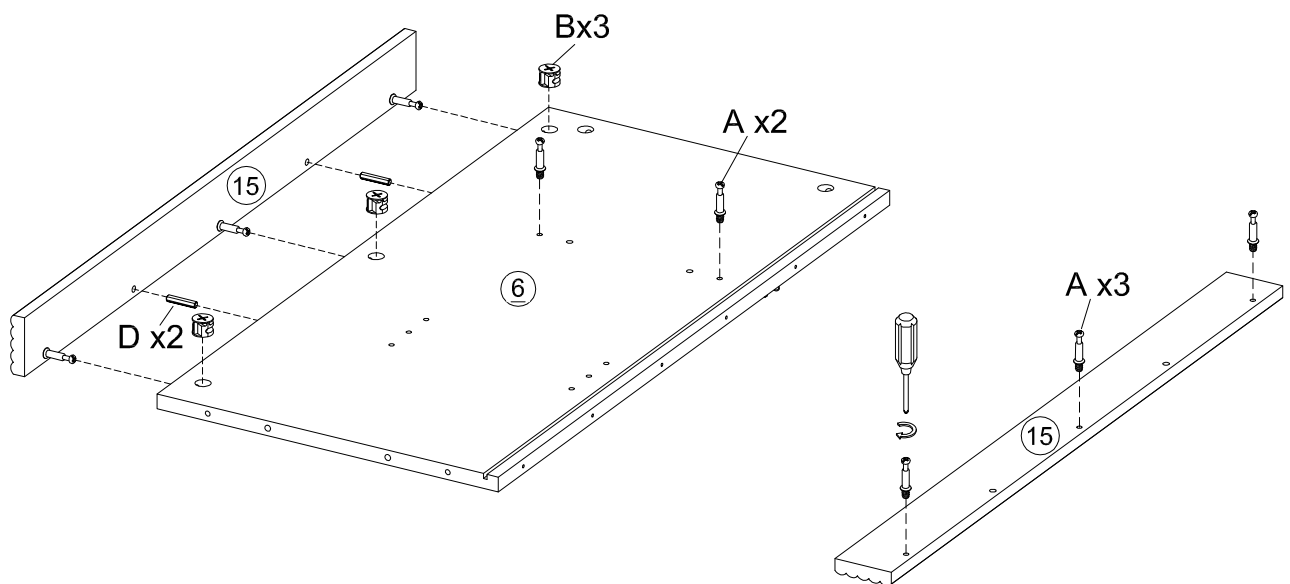
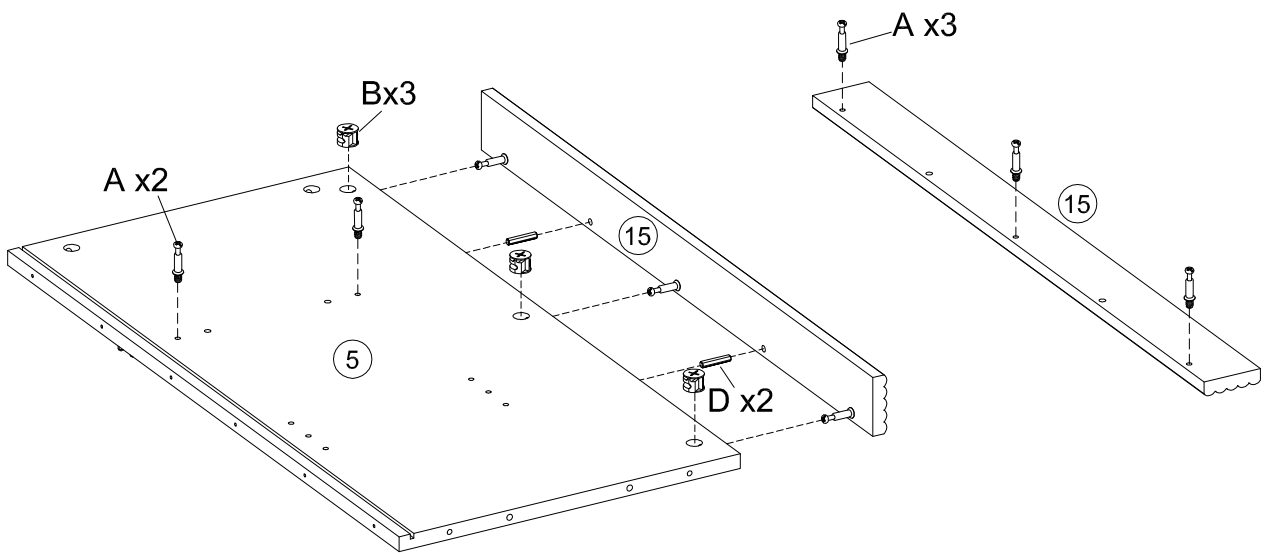
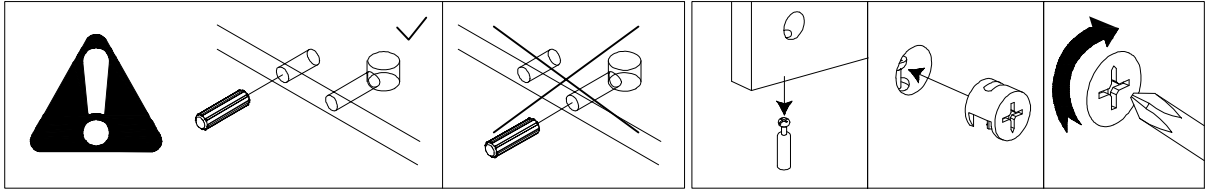
A x 10



B x 6



D x 4



5



Bx6



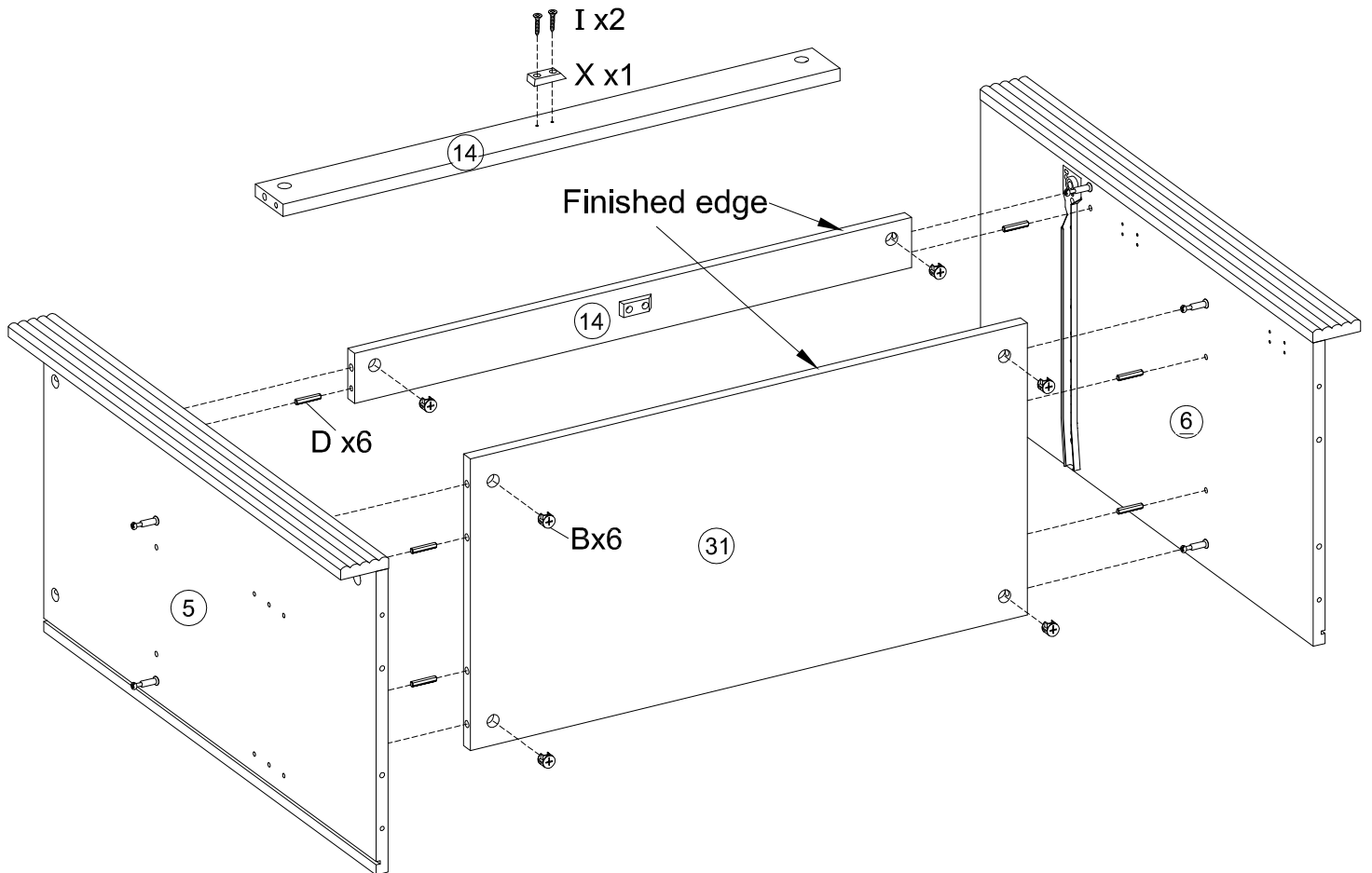
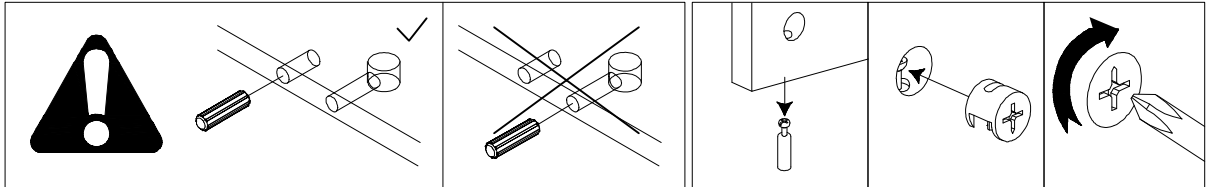
Dx6



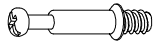
Ix2



Xx1



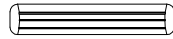
6



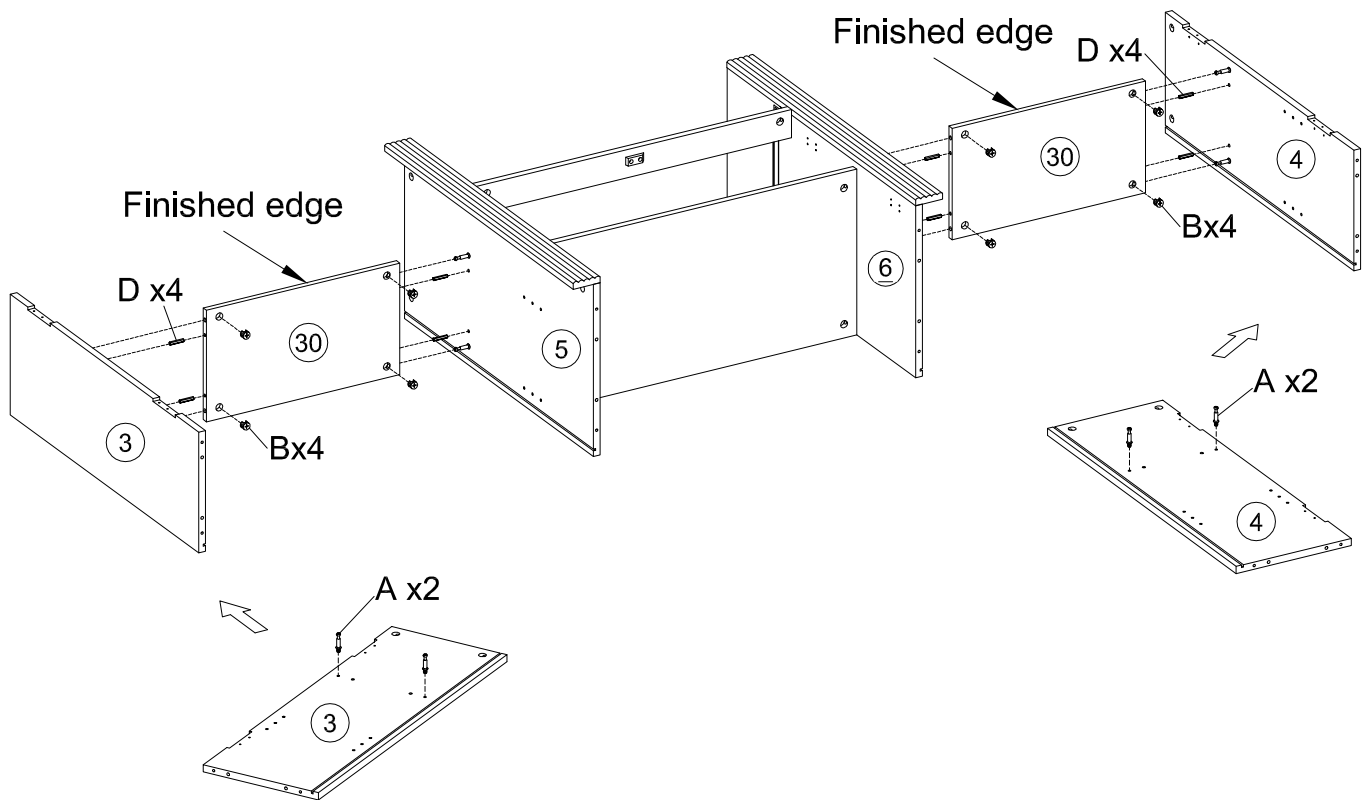
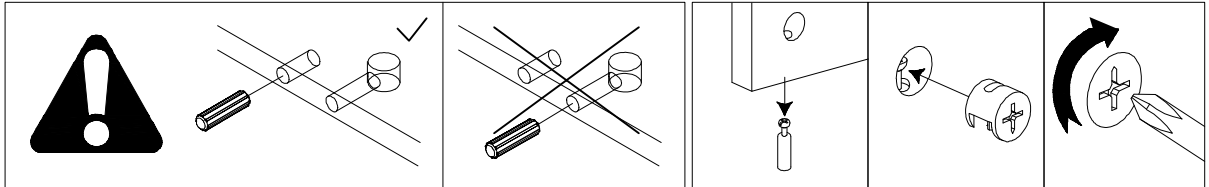
Ax4



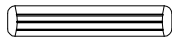
Bx8



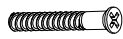
Dx8



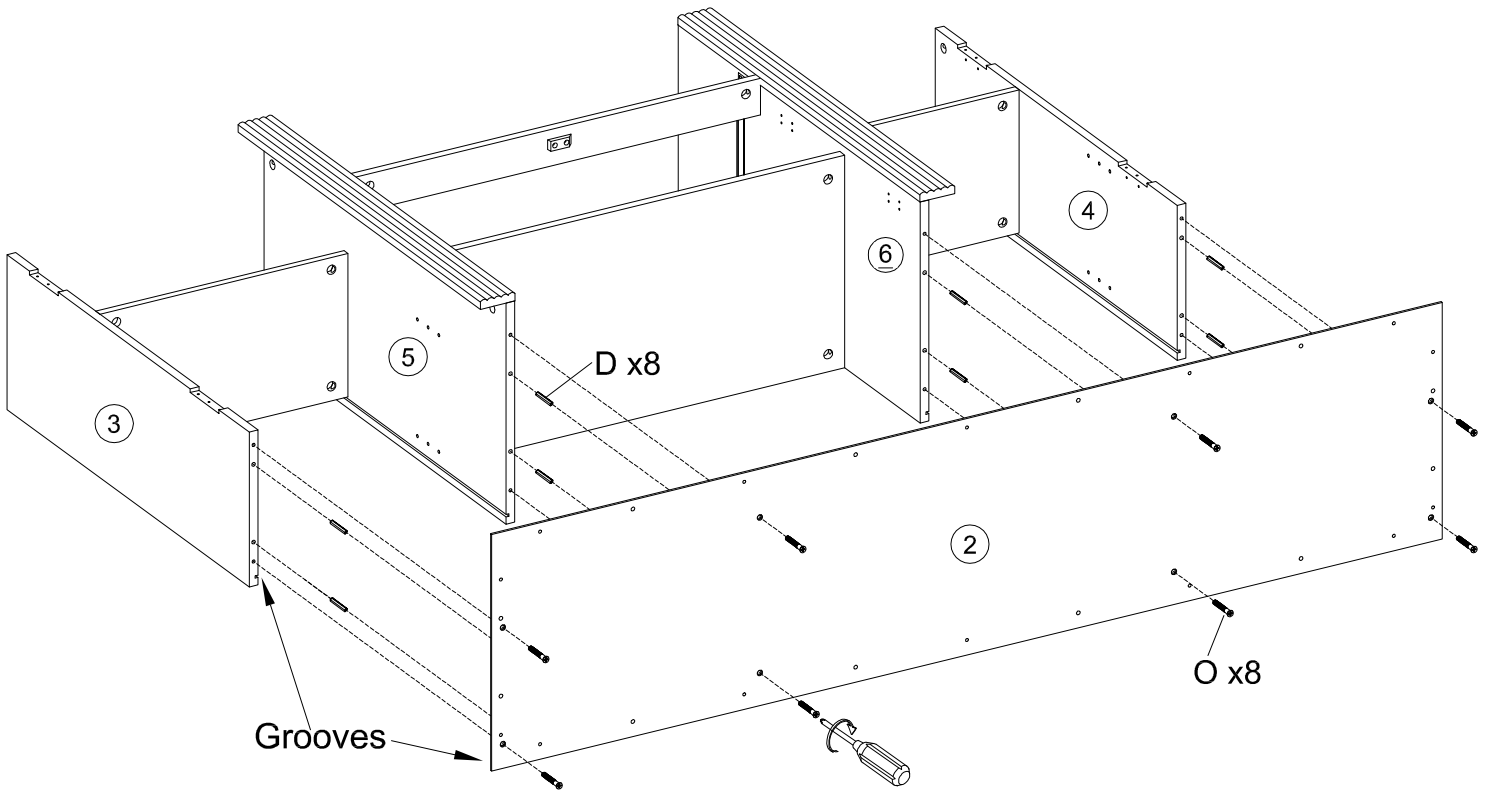
7



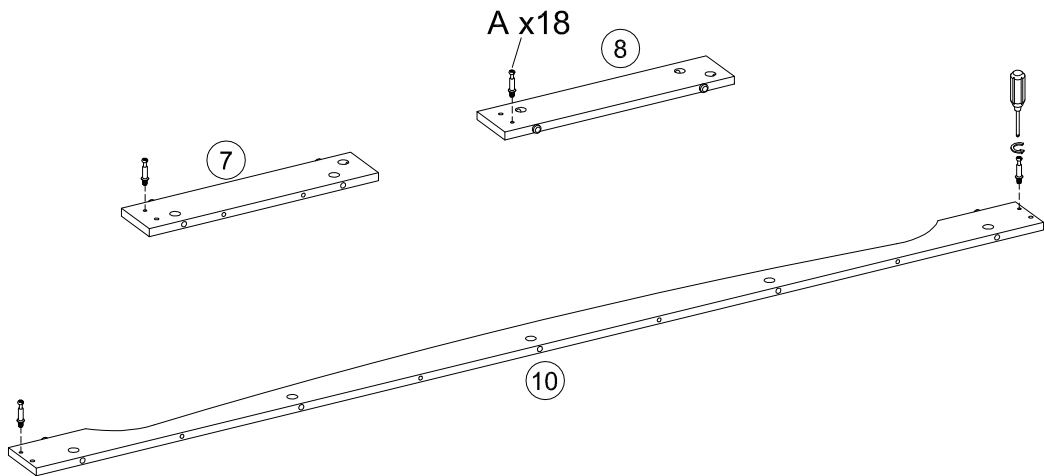
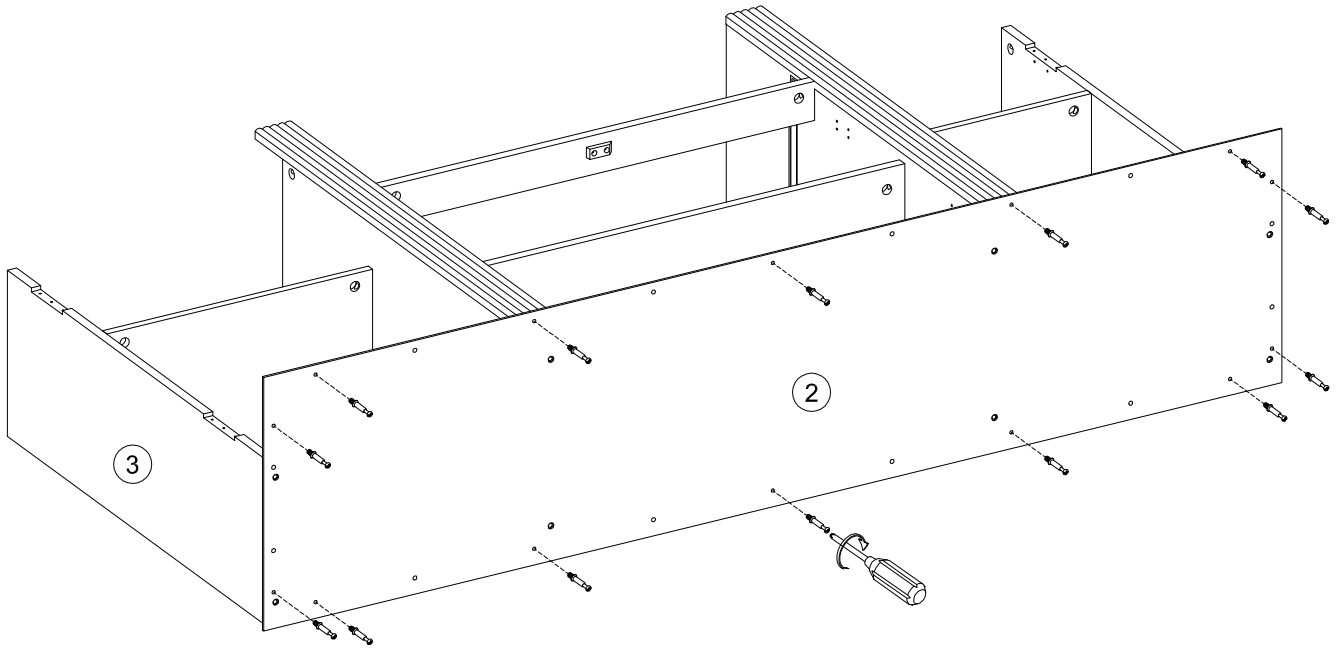
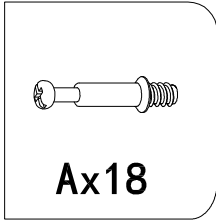
D x 8



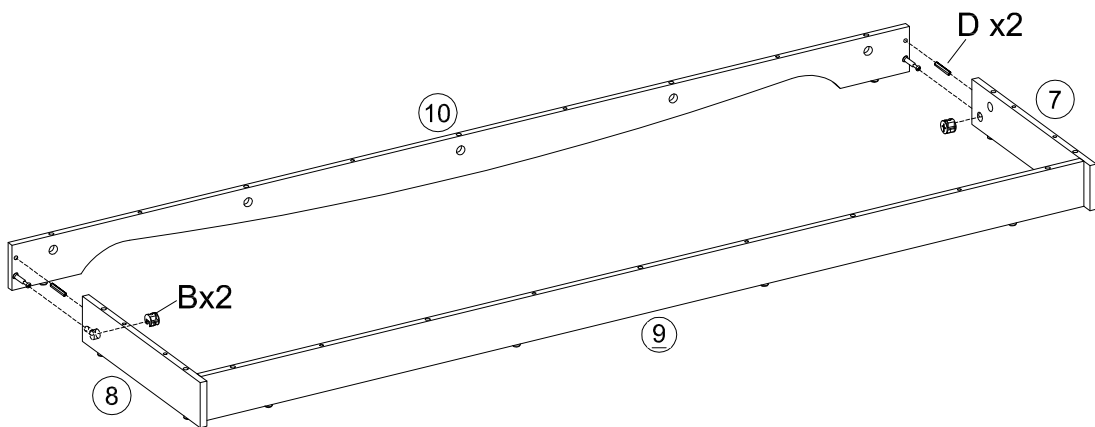
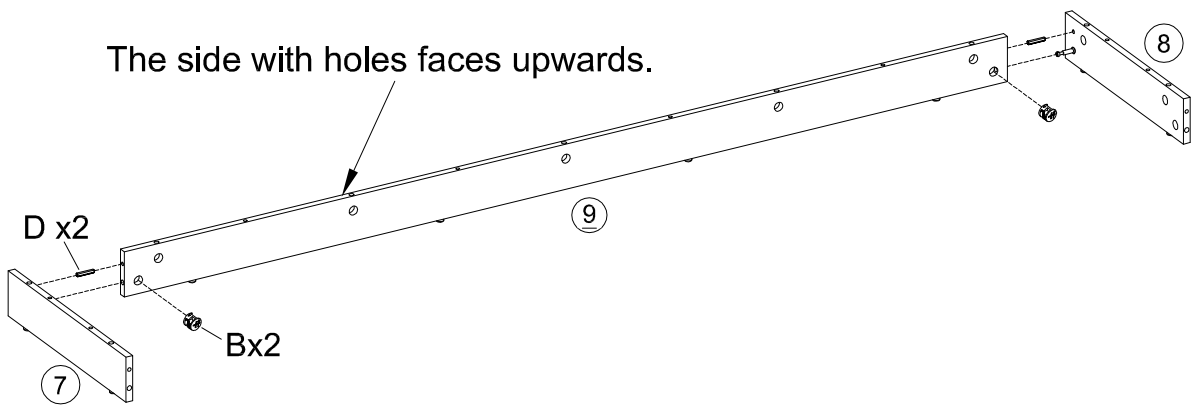
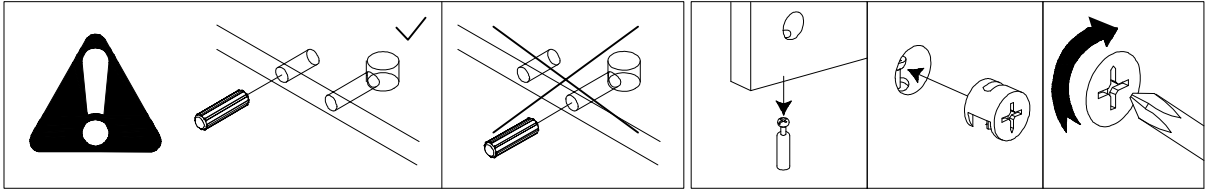
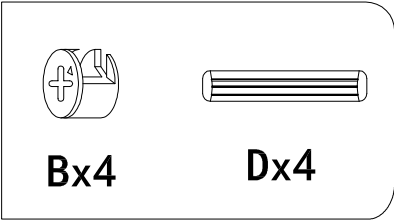
O x 8



8



9



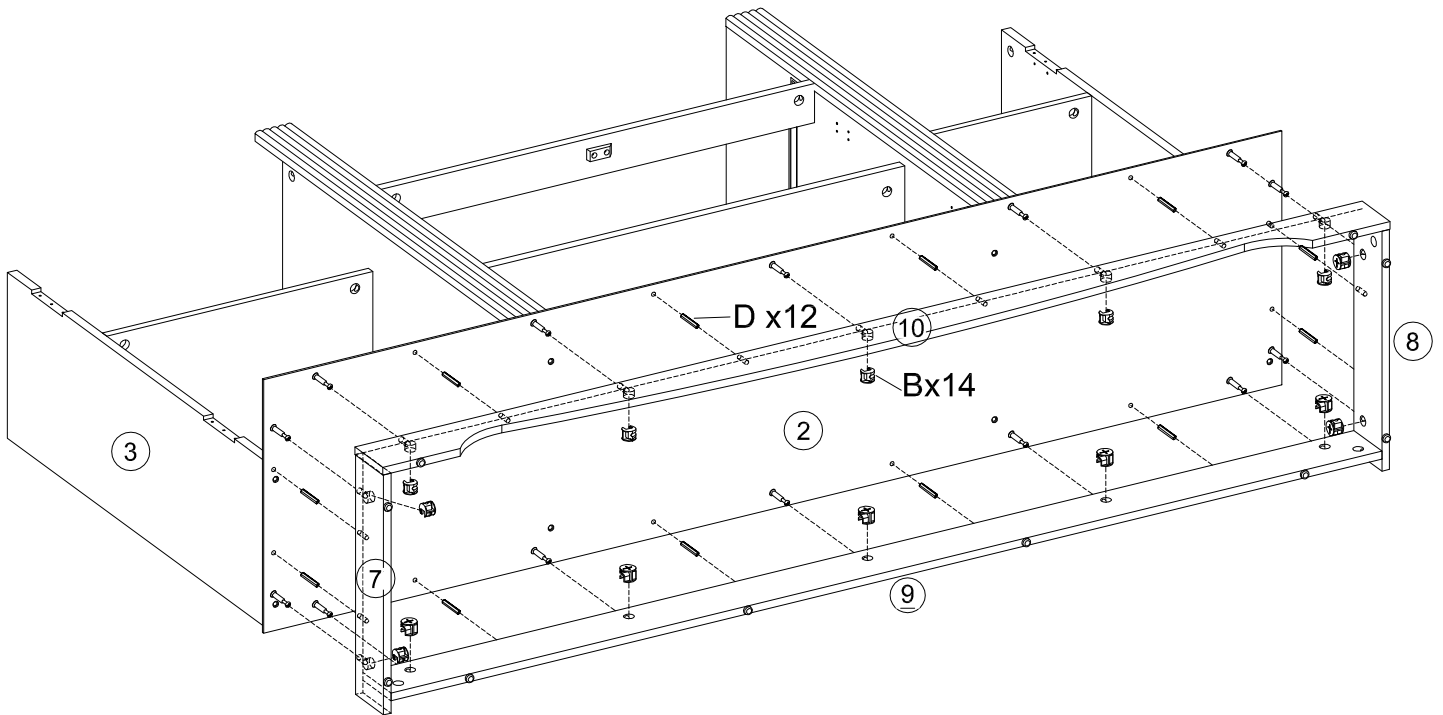
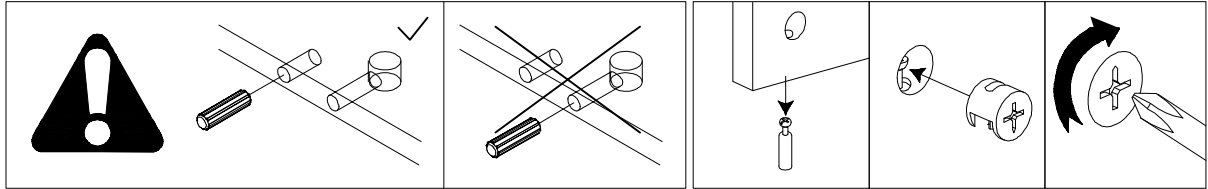
10



Bx14



Dx12



11



A x 8



I x 4



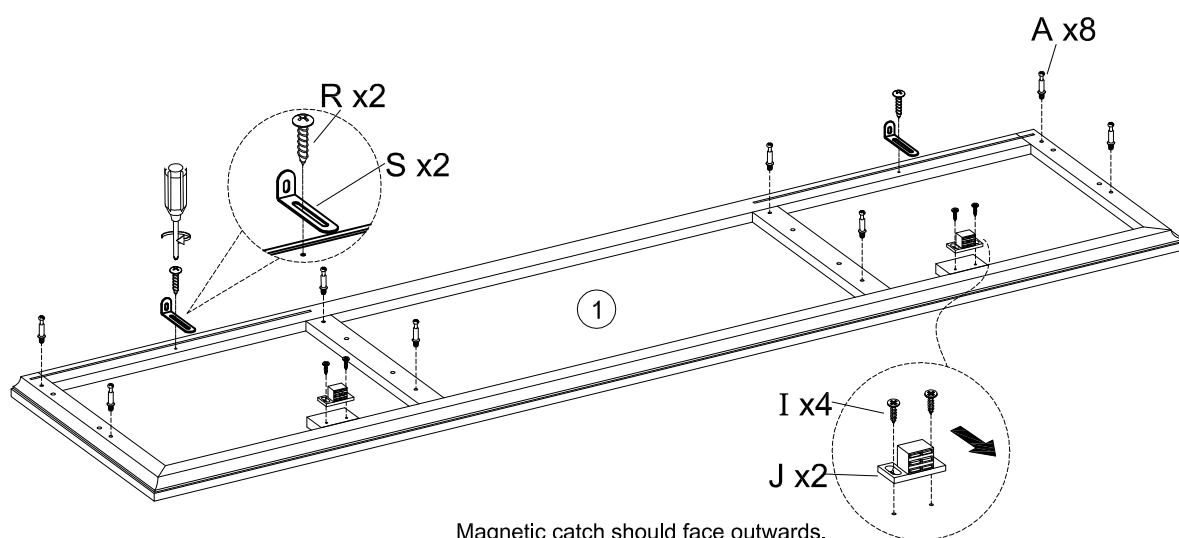
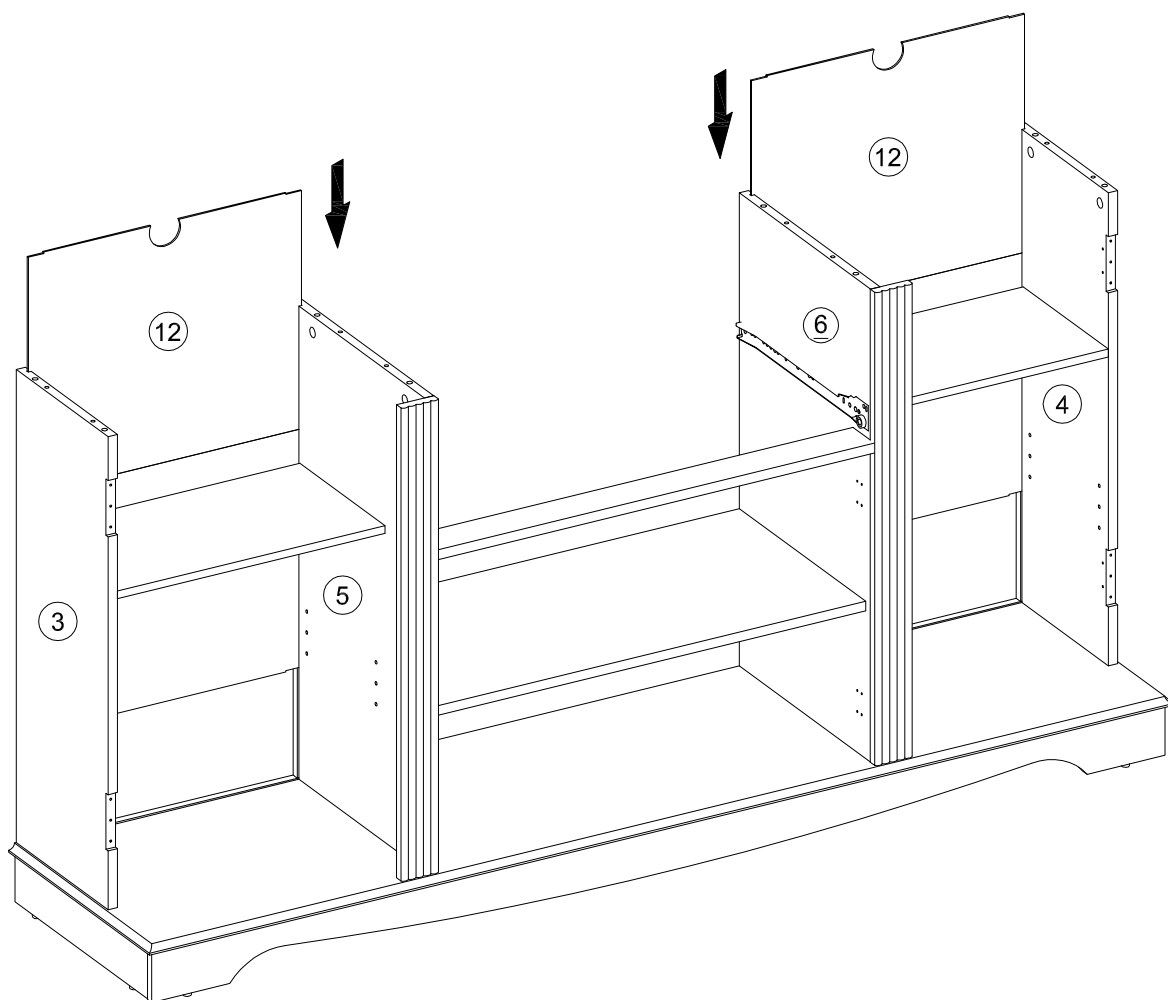
J x 2



R x 2



S x 2



Magnetic catch should face outwards.

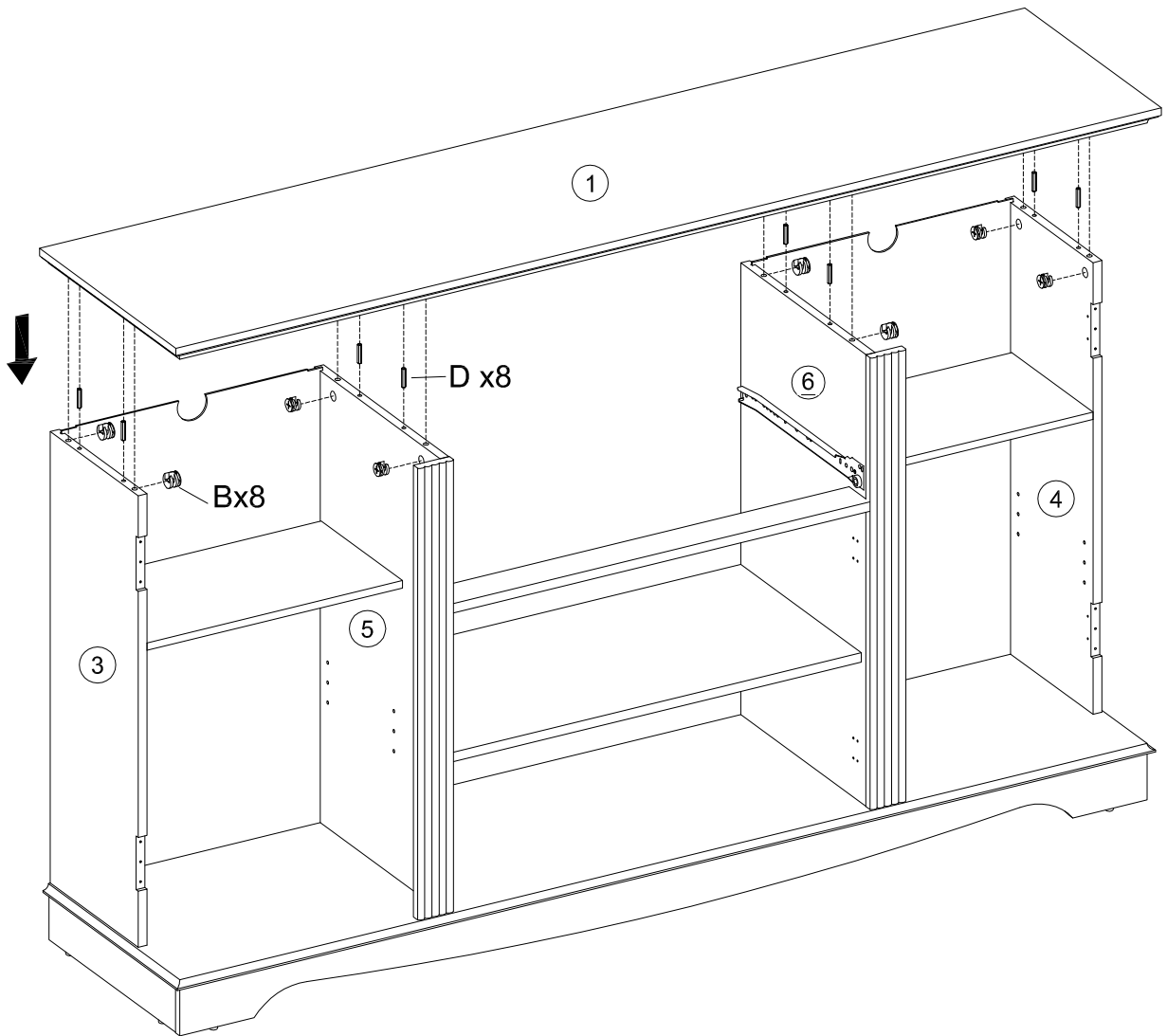
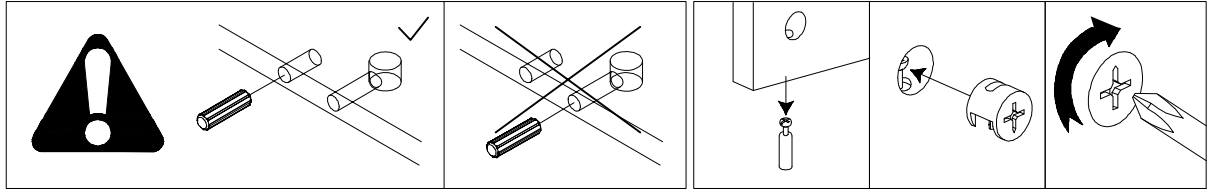
12



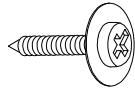
Bx8



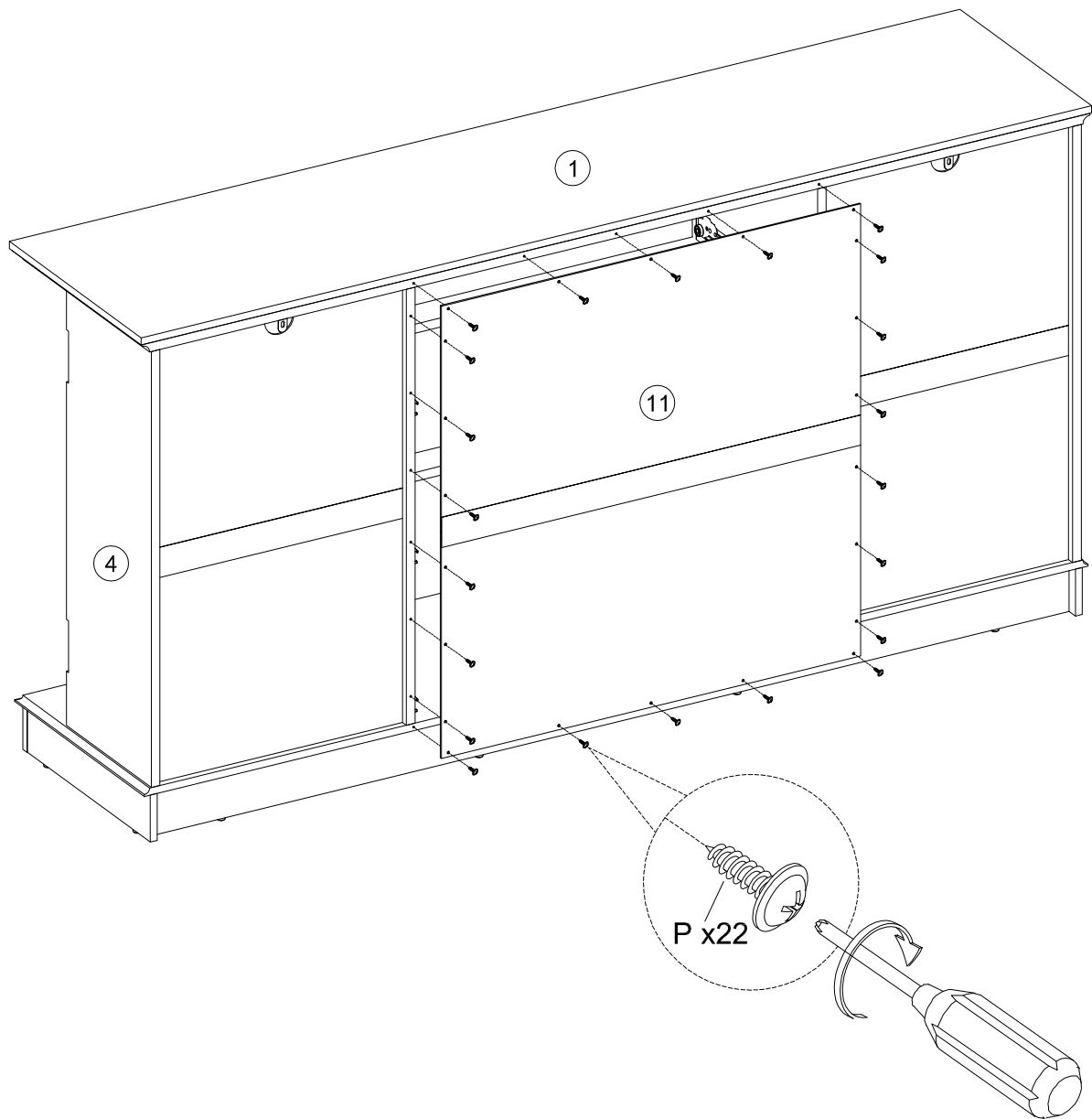
Dx8



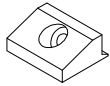
13



P x 22



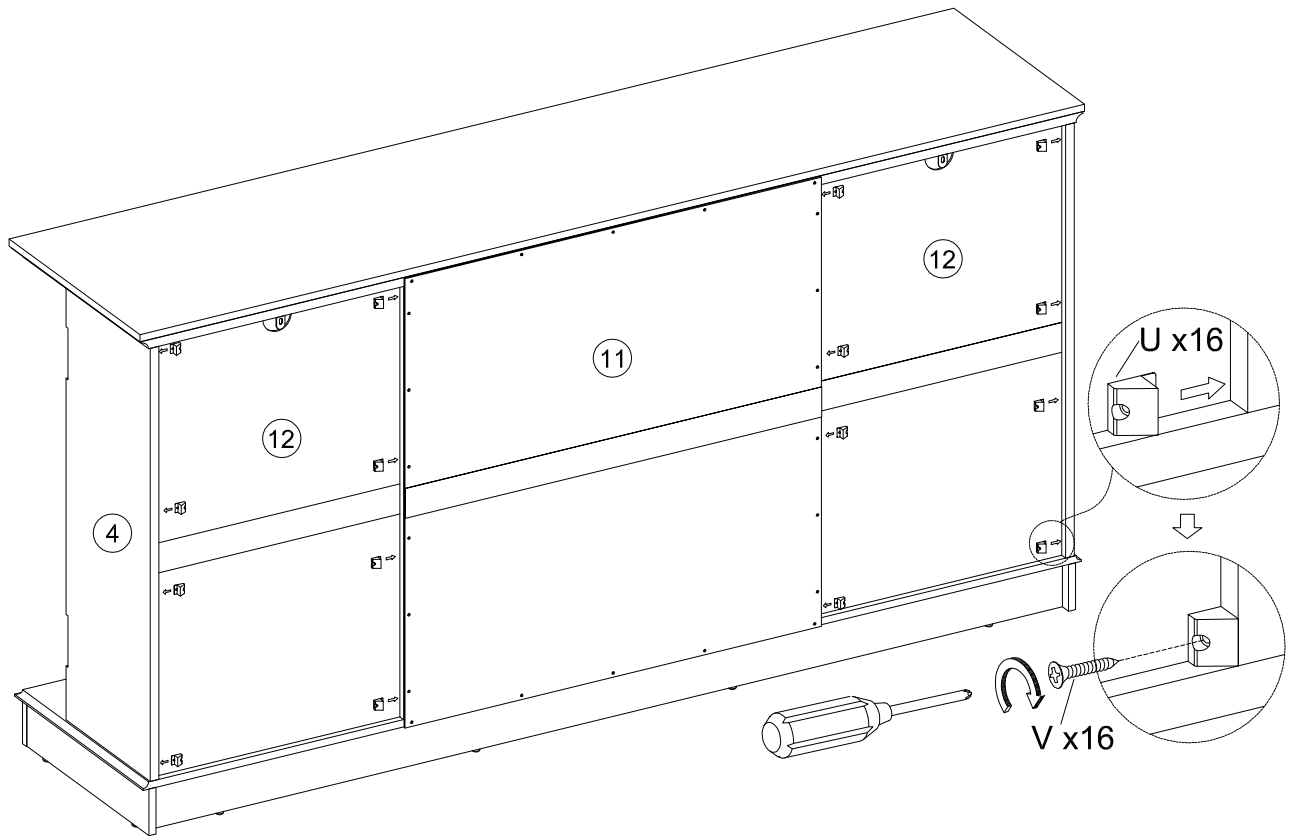
14



Ux16



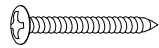
Vx16



15



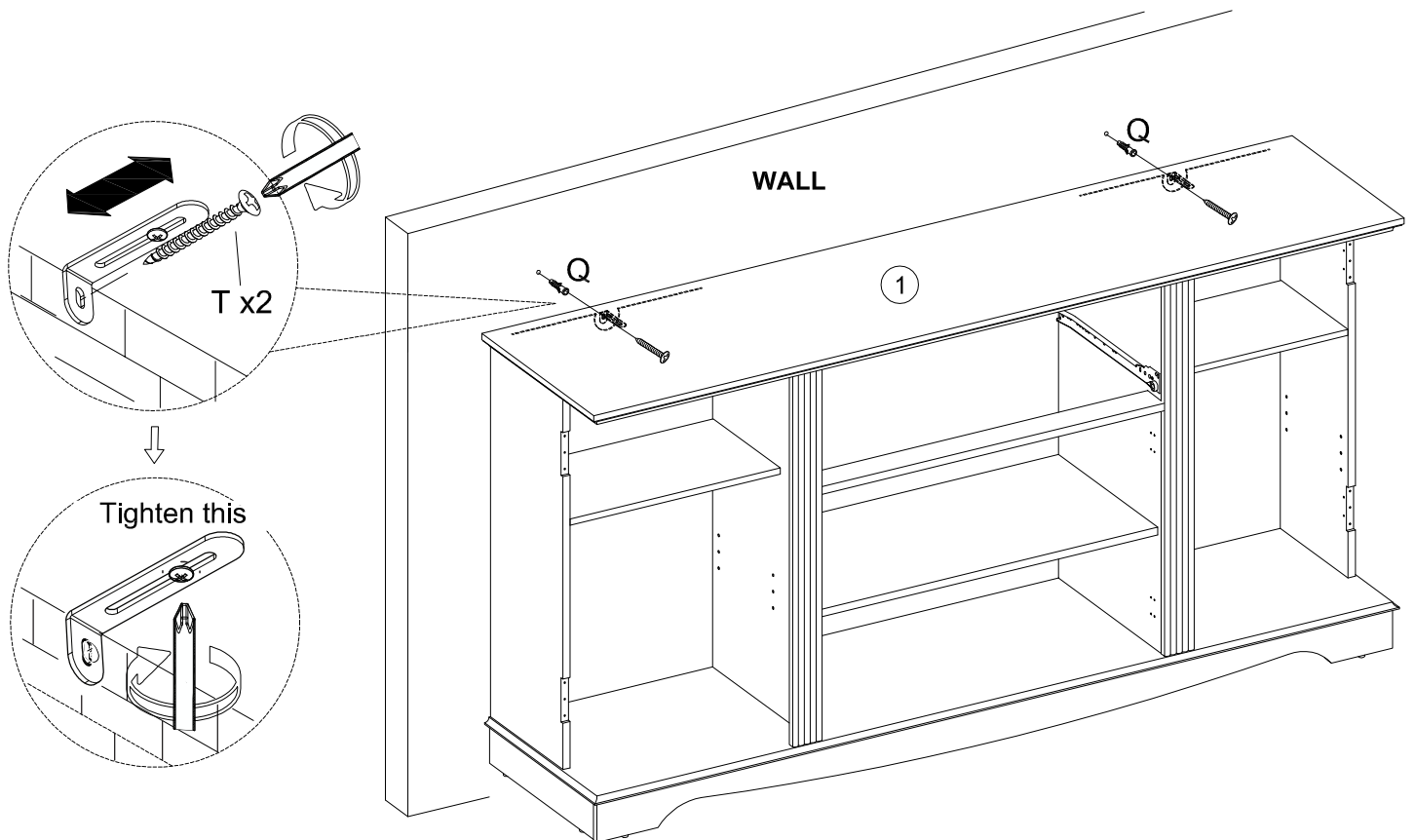
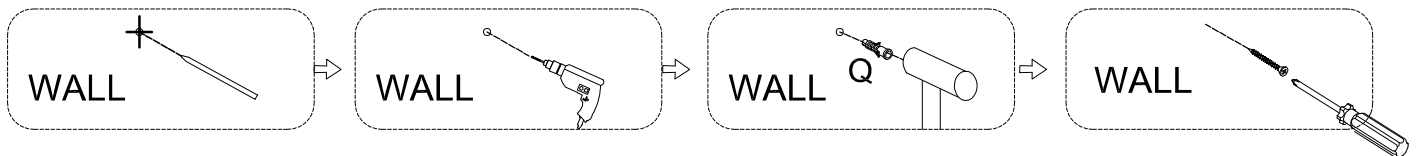
Qx2



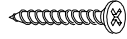
Tx2

WARNING

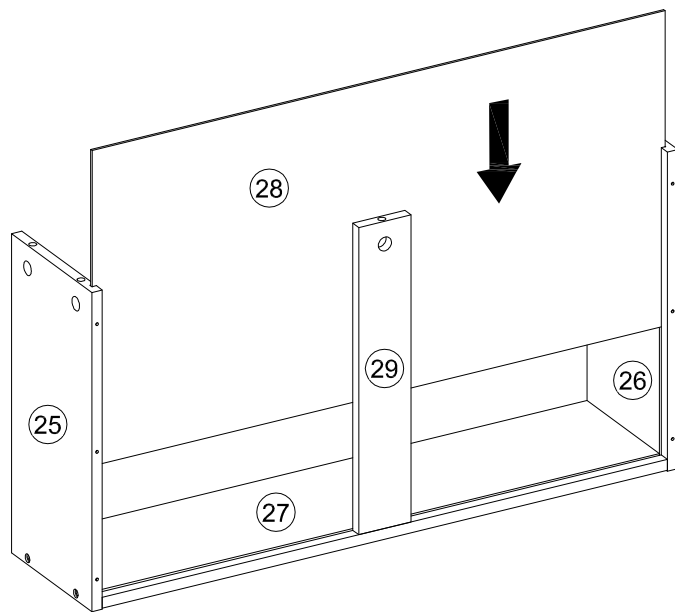
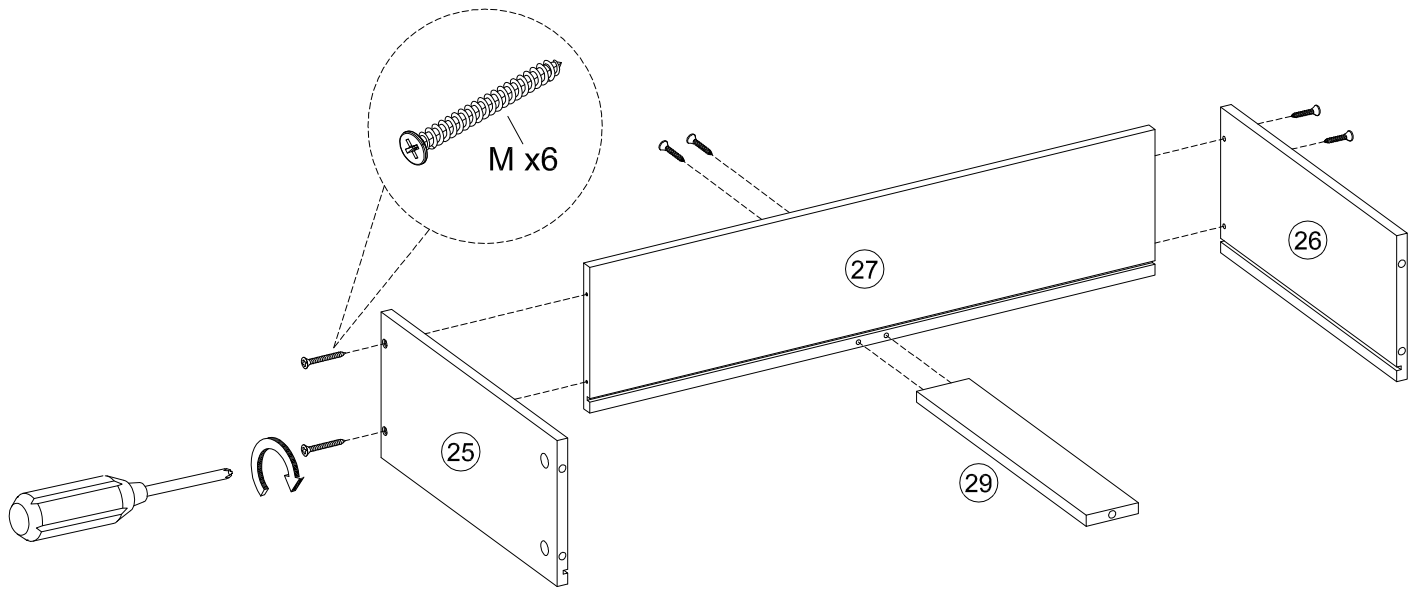
Serious or fatal injuries can occur from furniture tipping over. To prevent the furniture from tipping over we recommend that it is permanently fixed to the wall. Wall anchor and hardware are included with this product. Please make sure hardware is suitable for your walls before installing, as different wall materials may require different types of anchors.



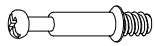
16



Mx6



17



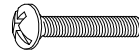
Ax5



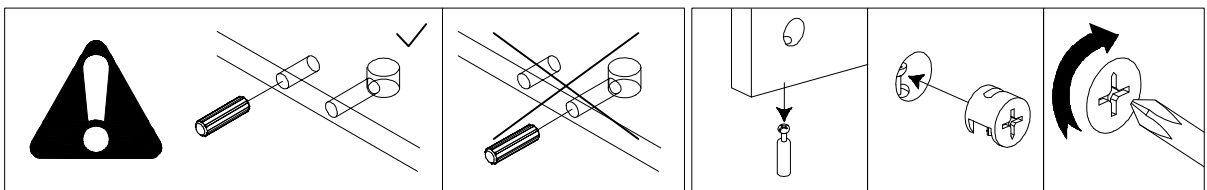
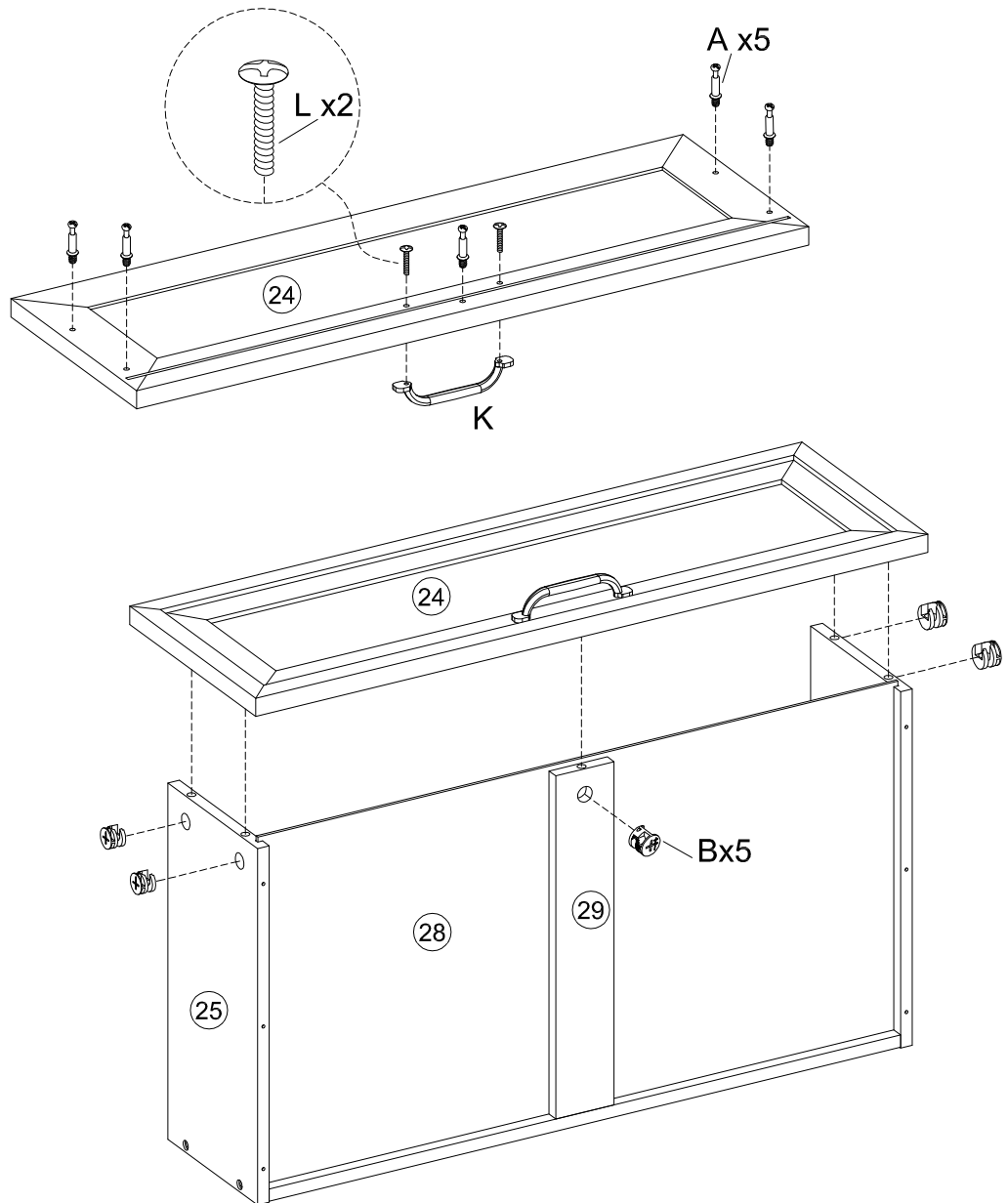
Bx5



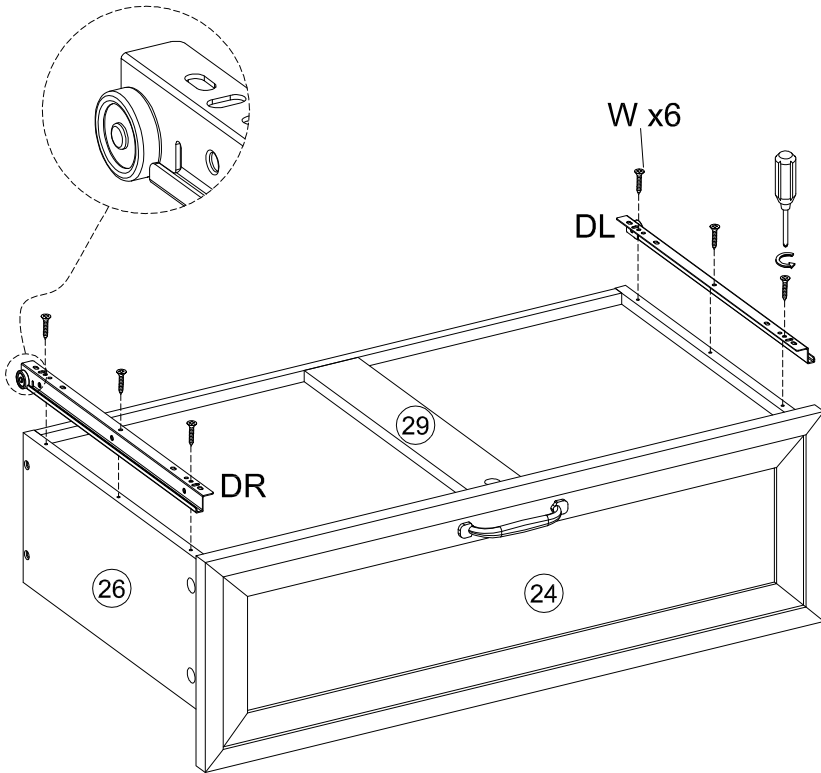
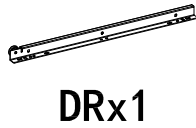
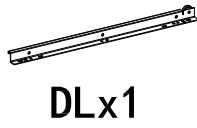
Kx1



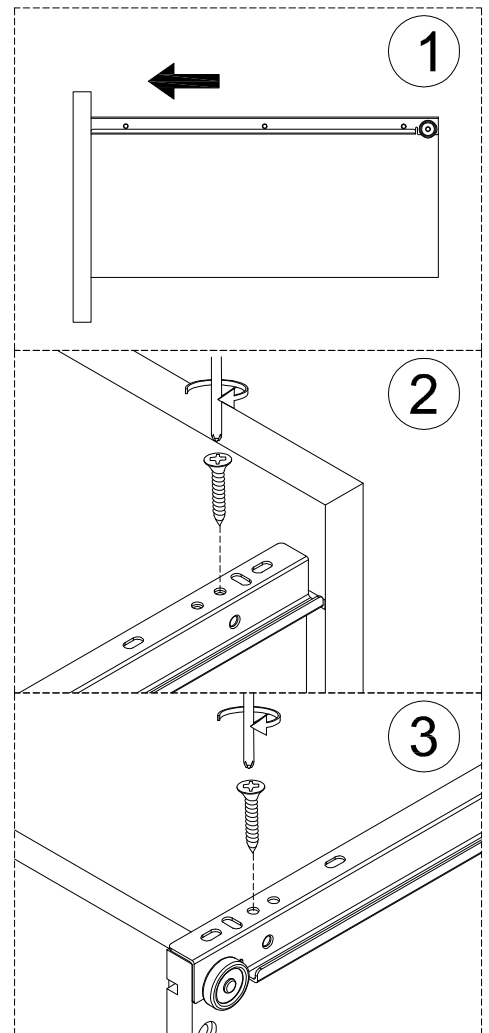
Lx2



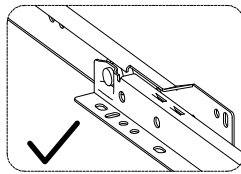
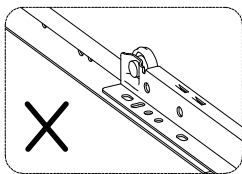
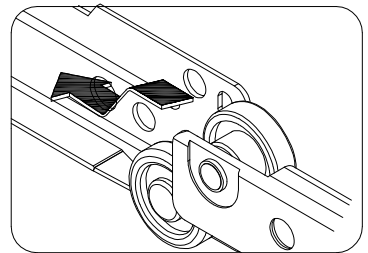
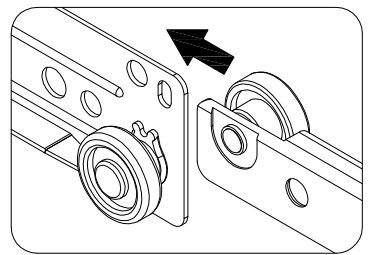
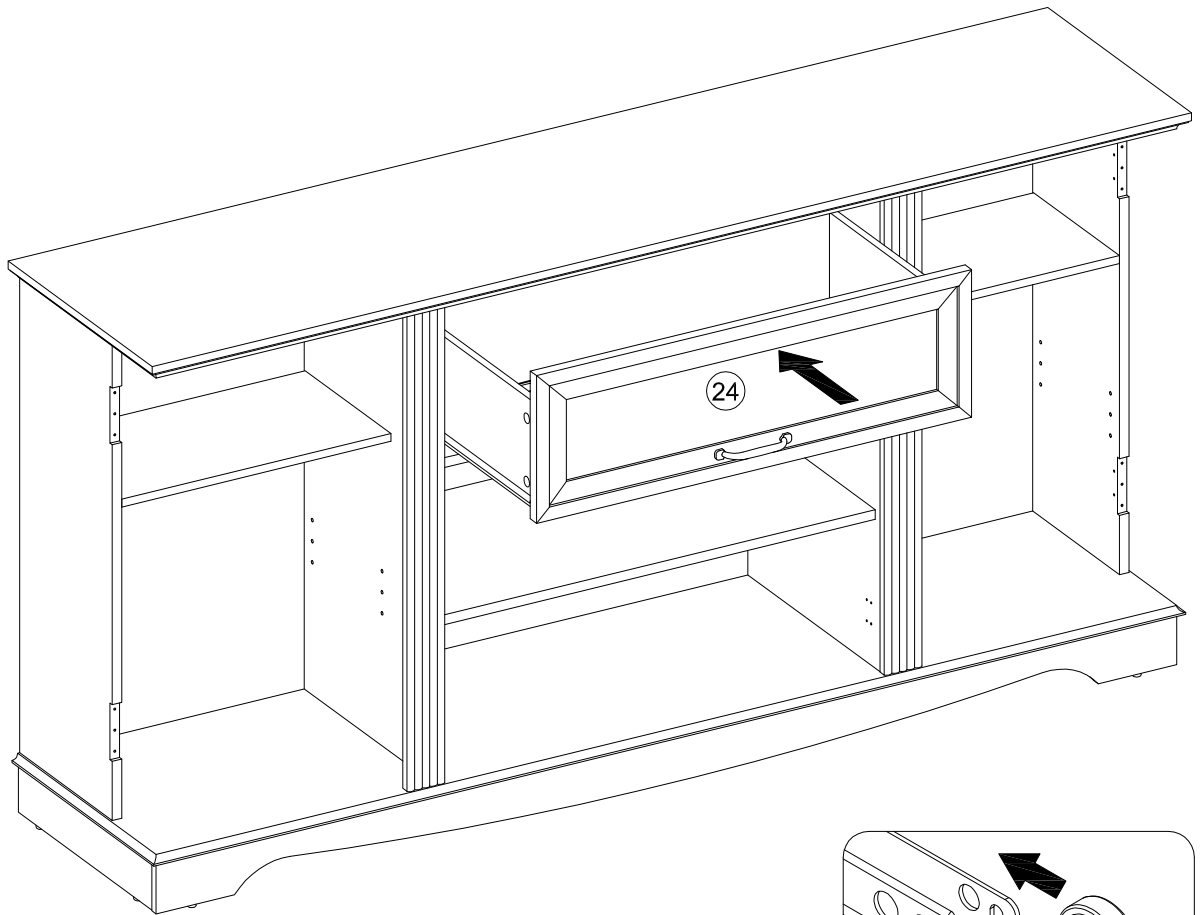
18



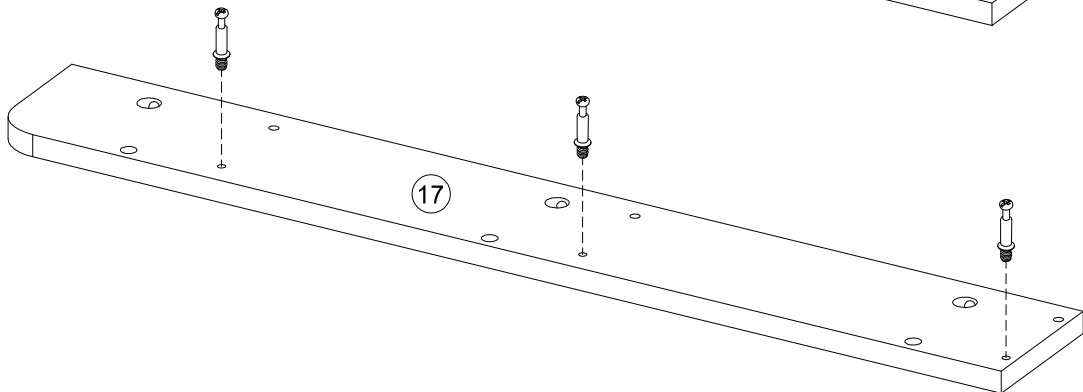
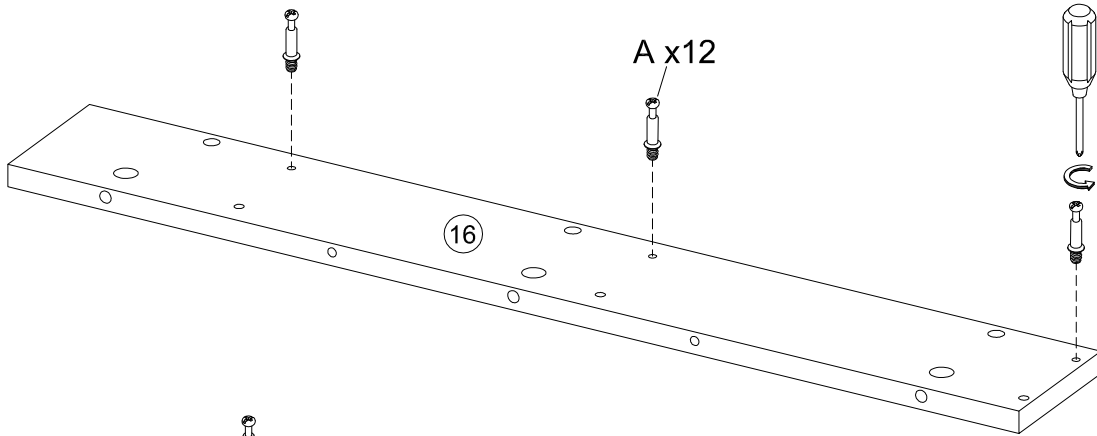
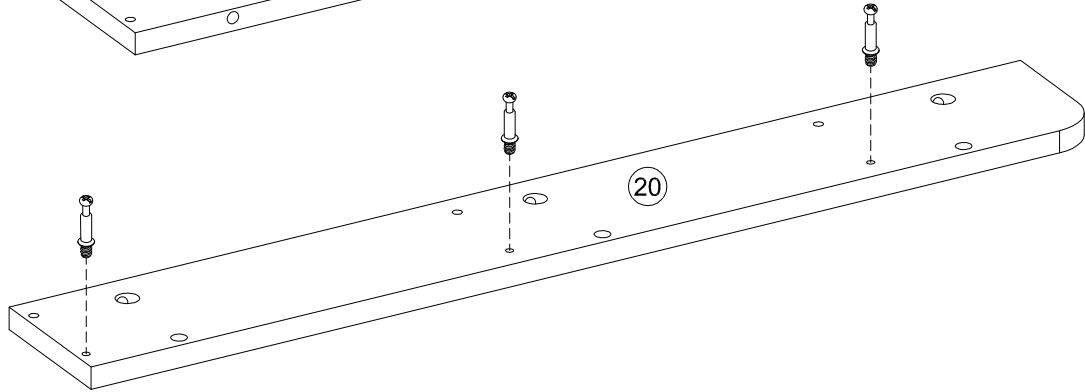
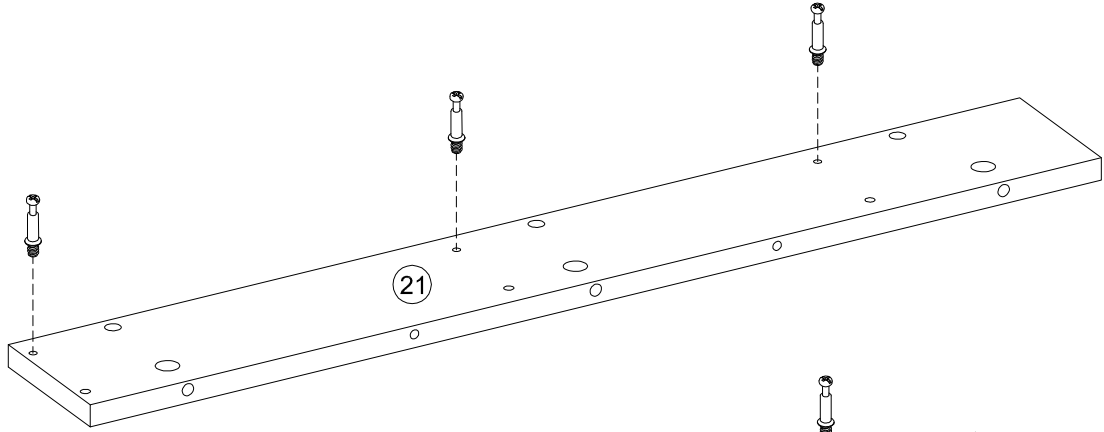
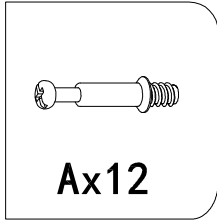
Note the DL or DR stamped label on the track!



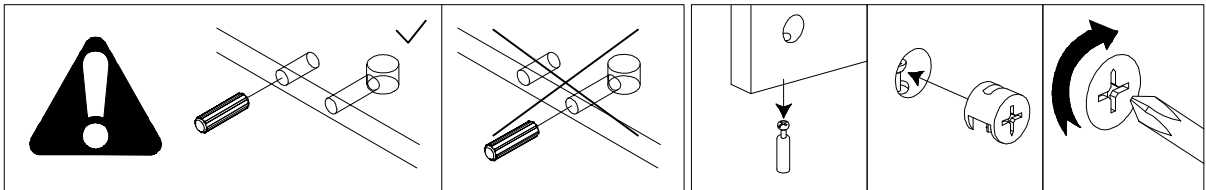
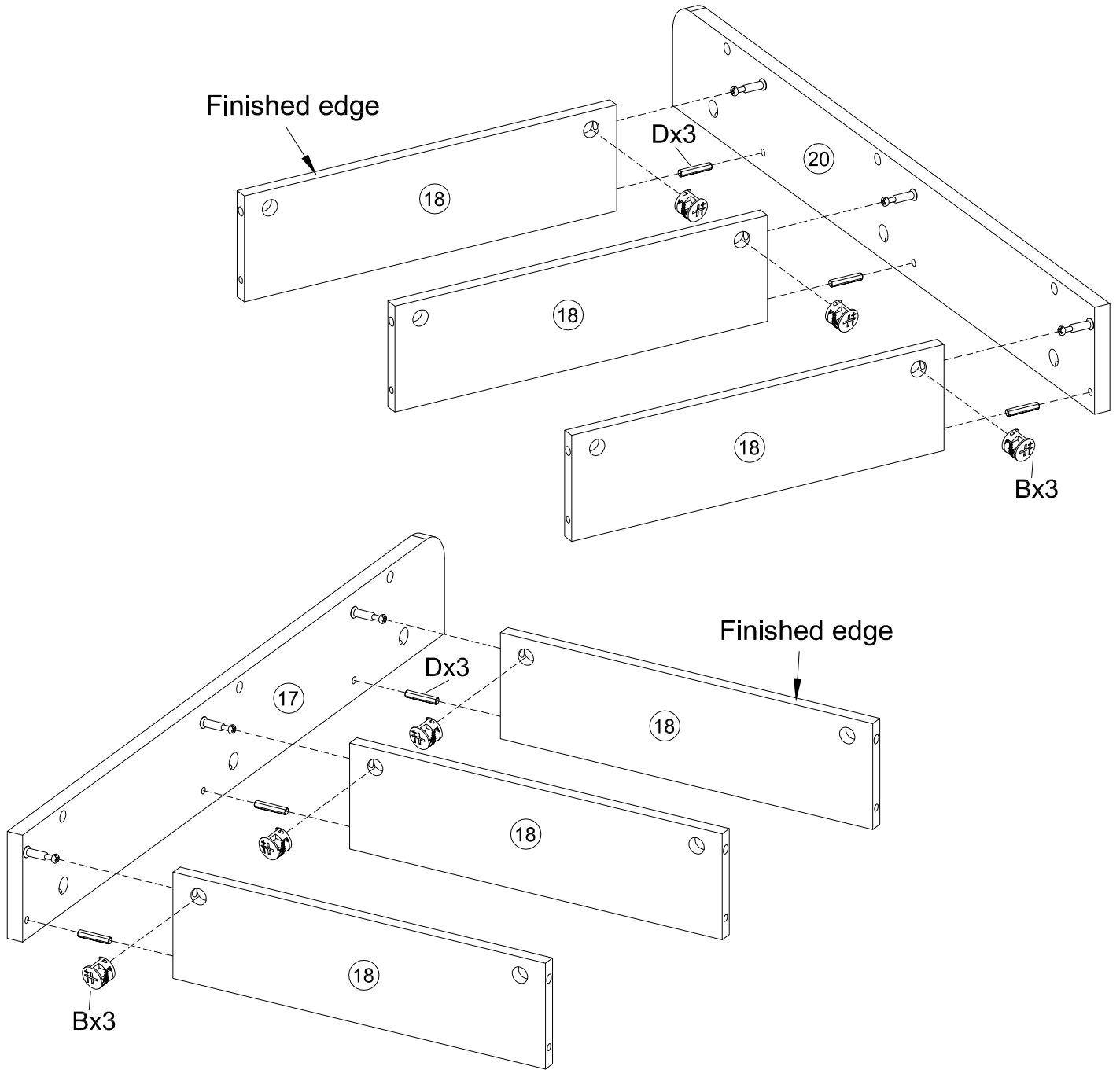
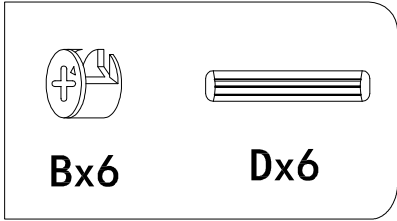
19

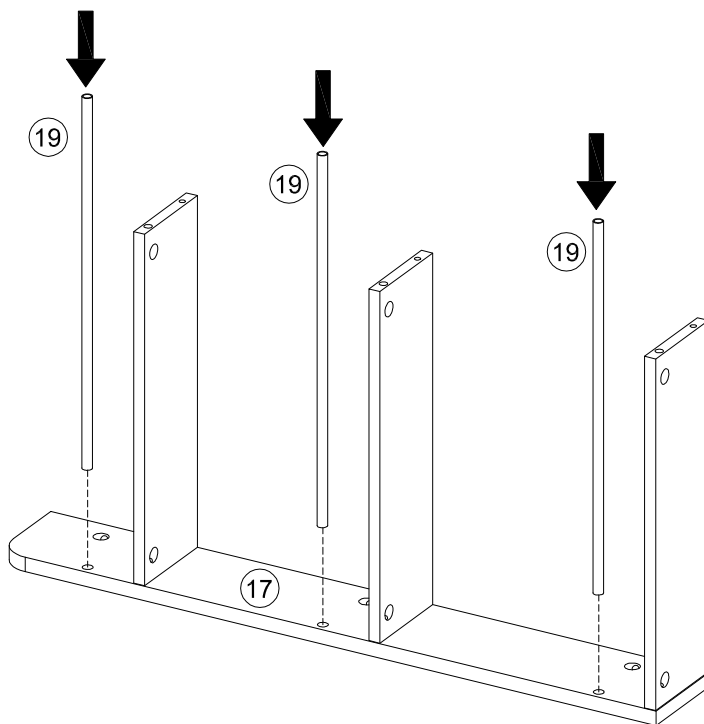
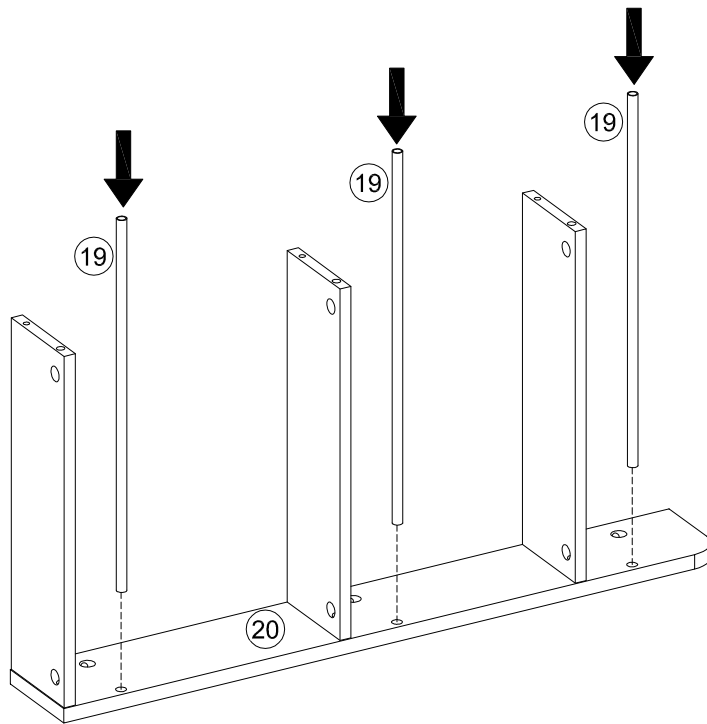


20



21





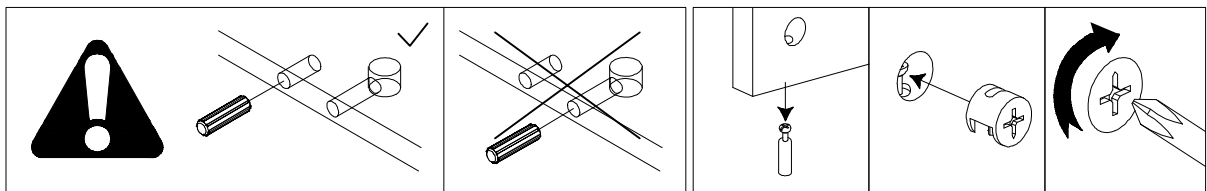
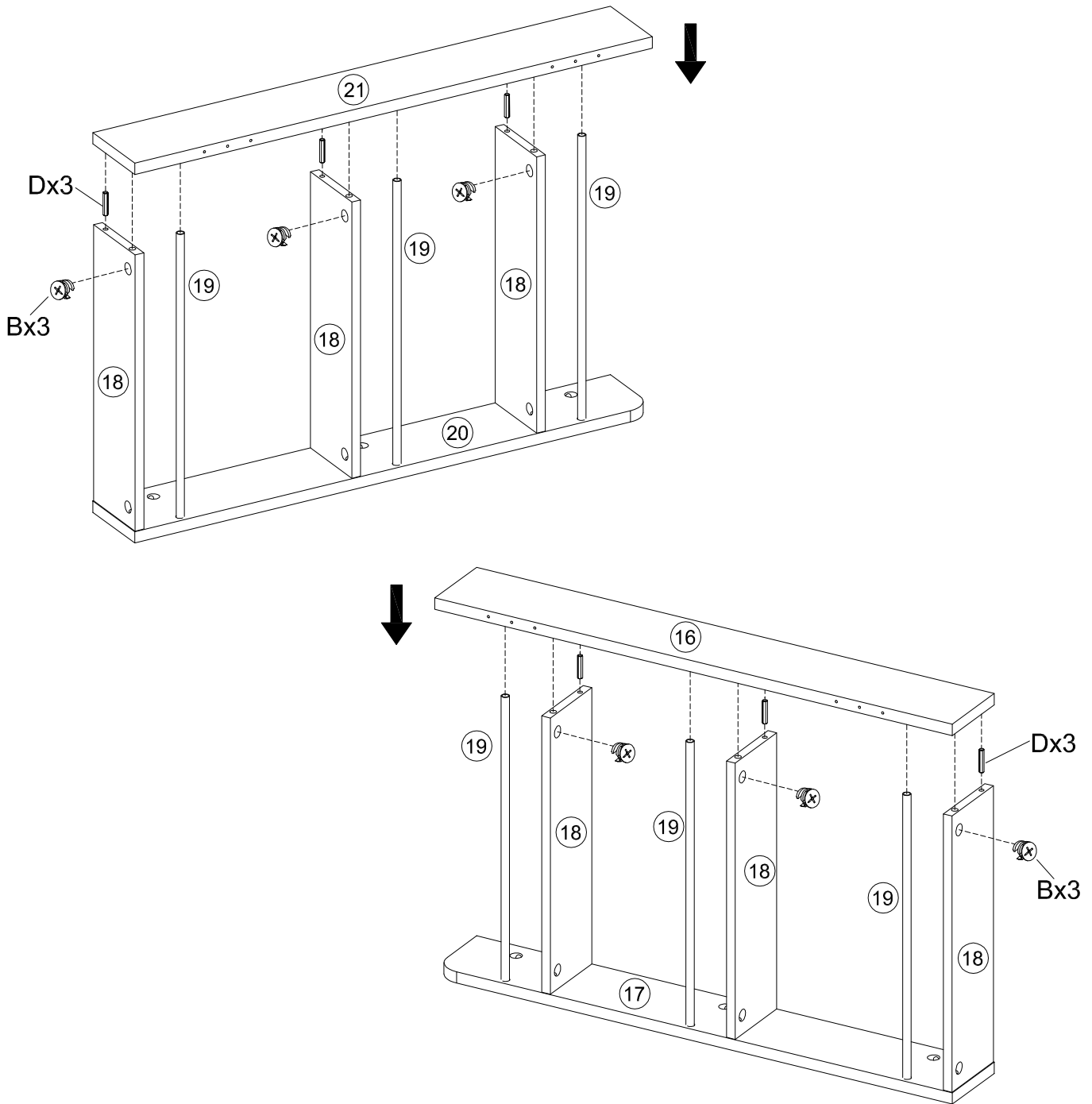
23



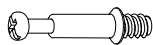
Bx6



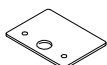
Dx6



24



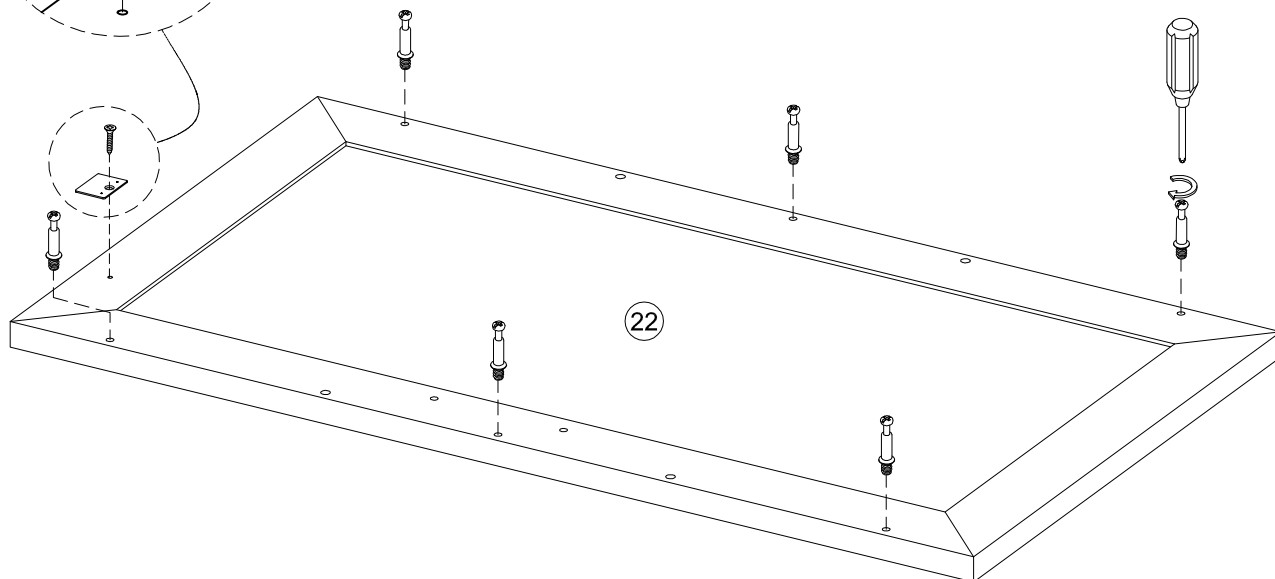
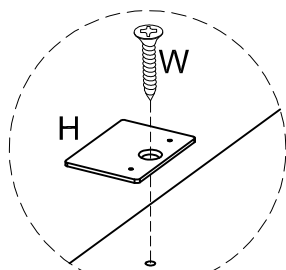
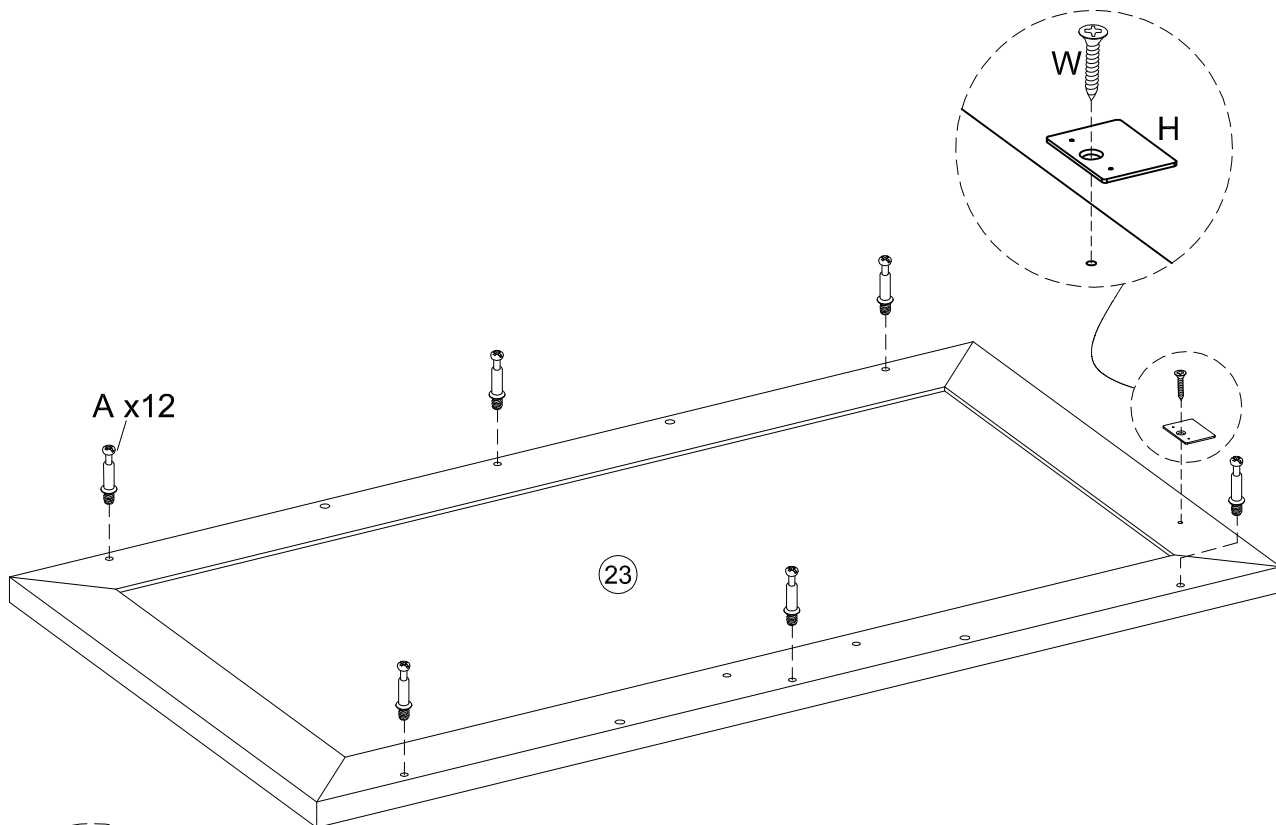
Ax12



Hx2



Wx2



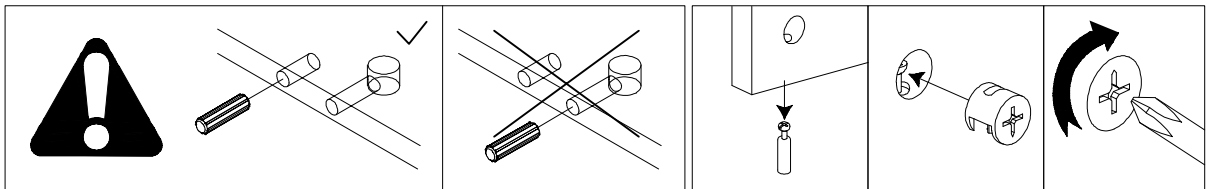
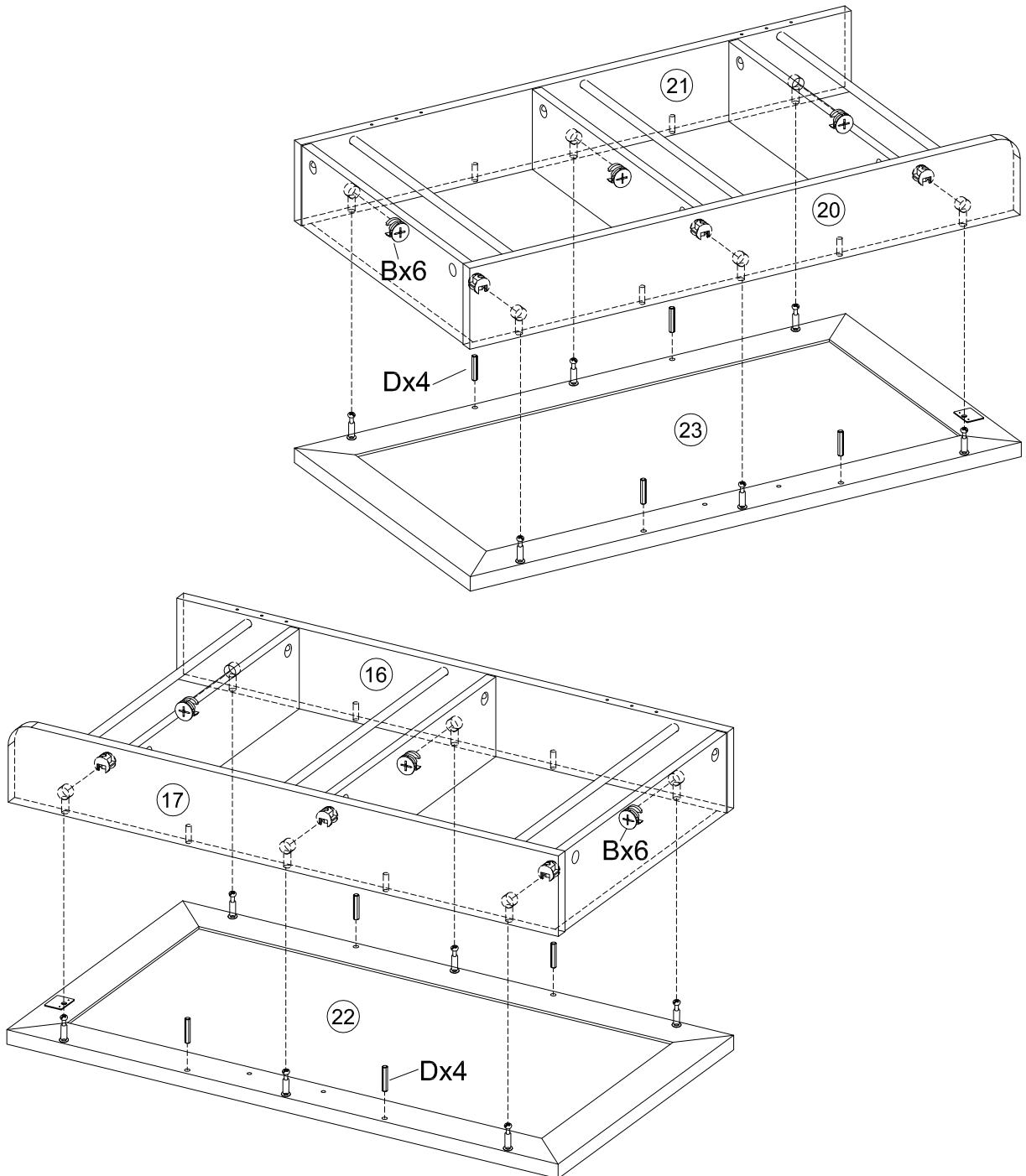
25



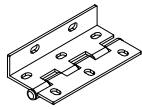
Bx12



Dx8



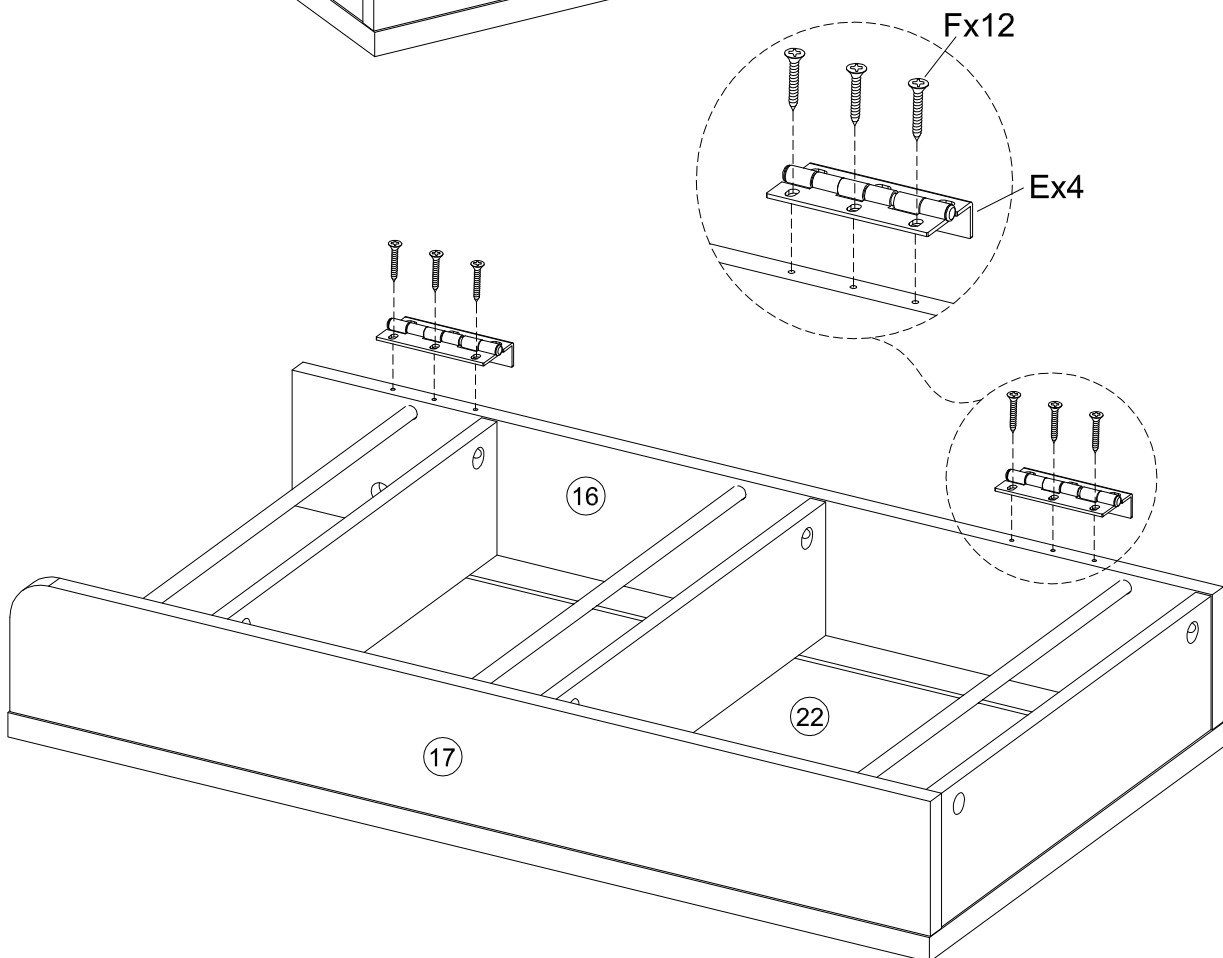
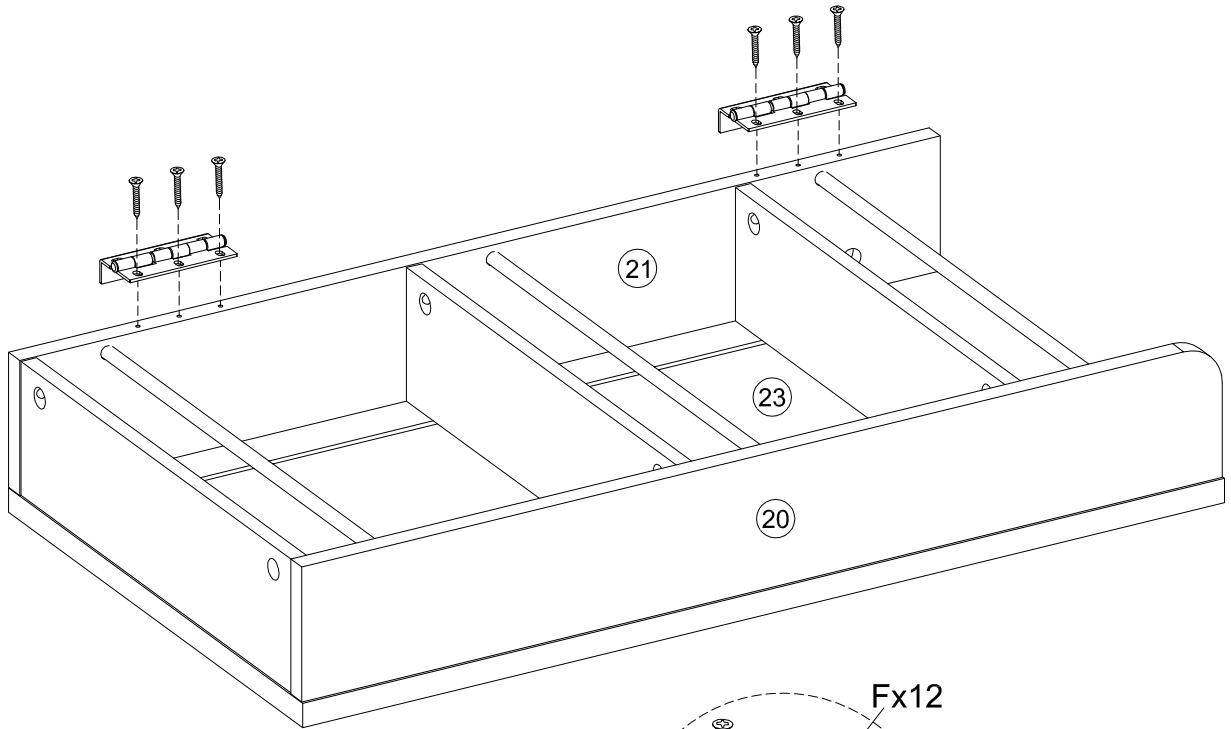
26



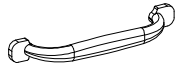
Ex4



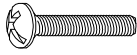
Fx12



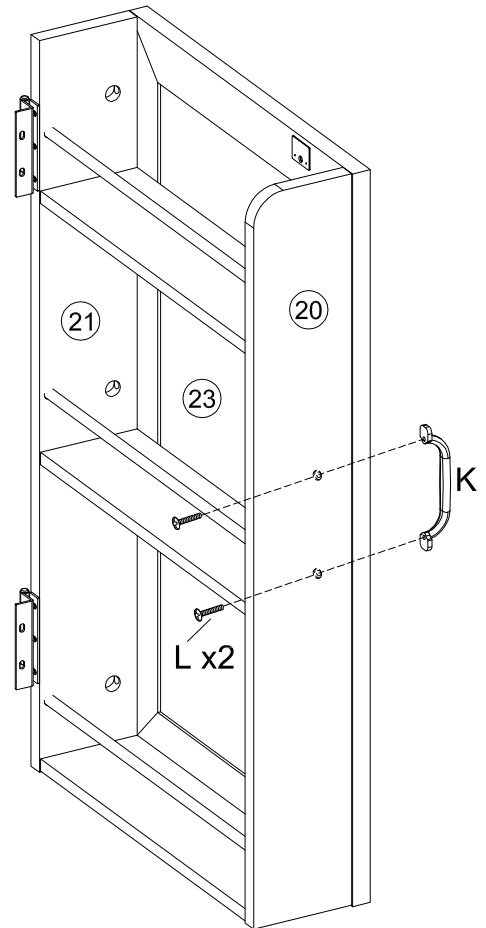
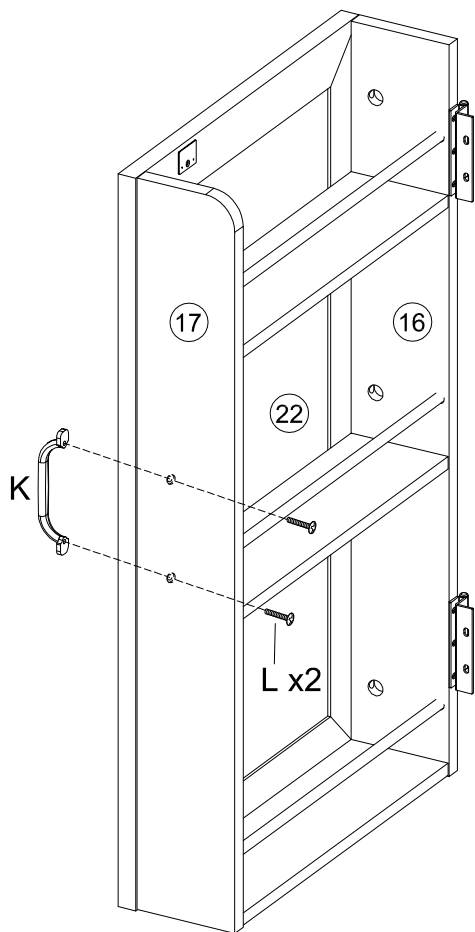
27



Kx2



Lx4



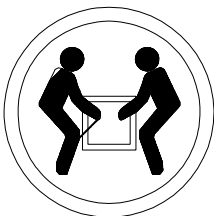
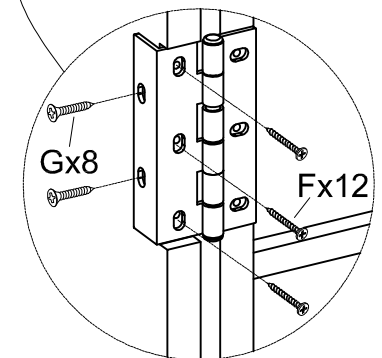
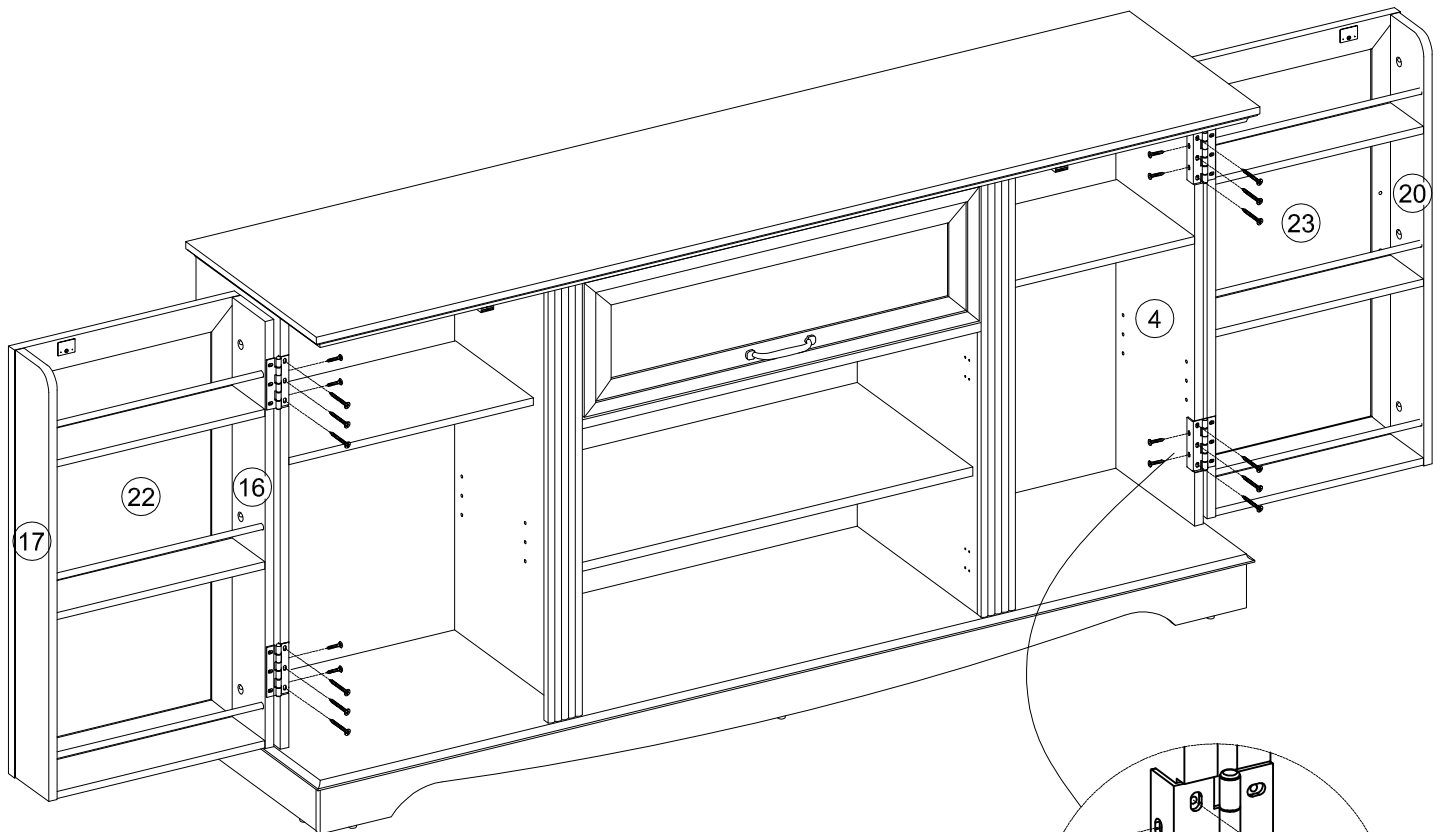
28



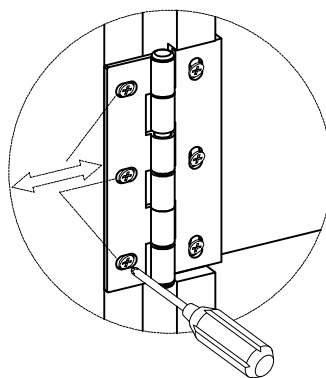
Gx8



Fx12



CAUTION: Heavy! You may need assistance with this step.

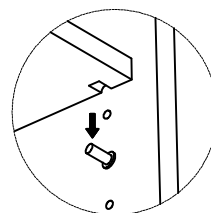
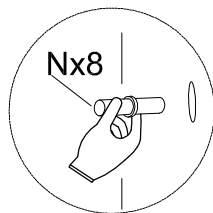
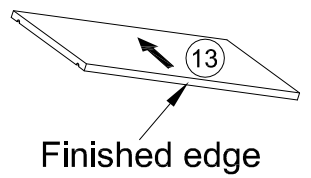
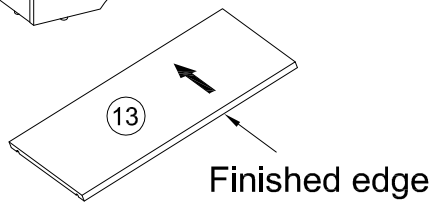
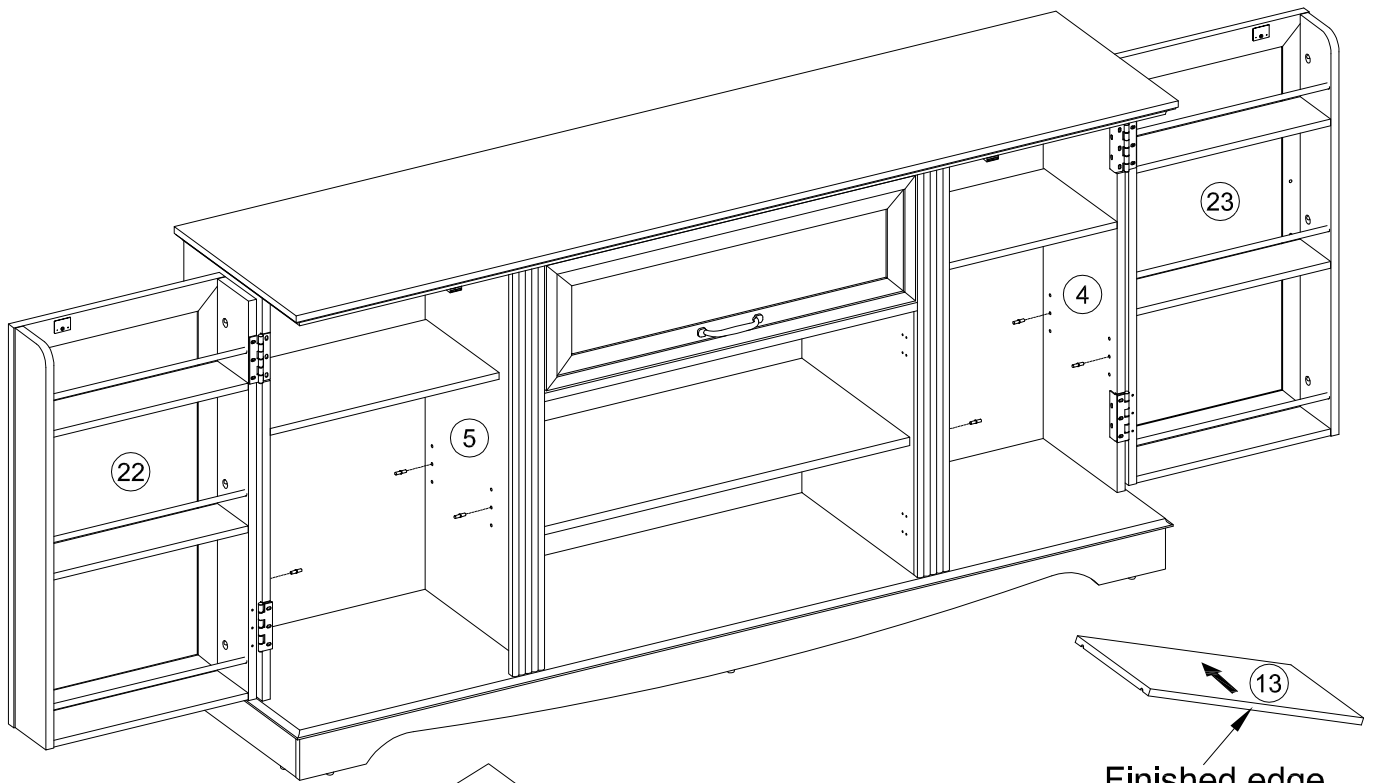


Note: The Side gap can be adjusted as shown

29



Nx8



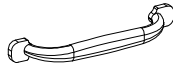
30



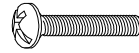
Wx8



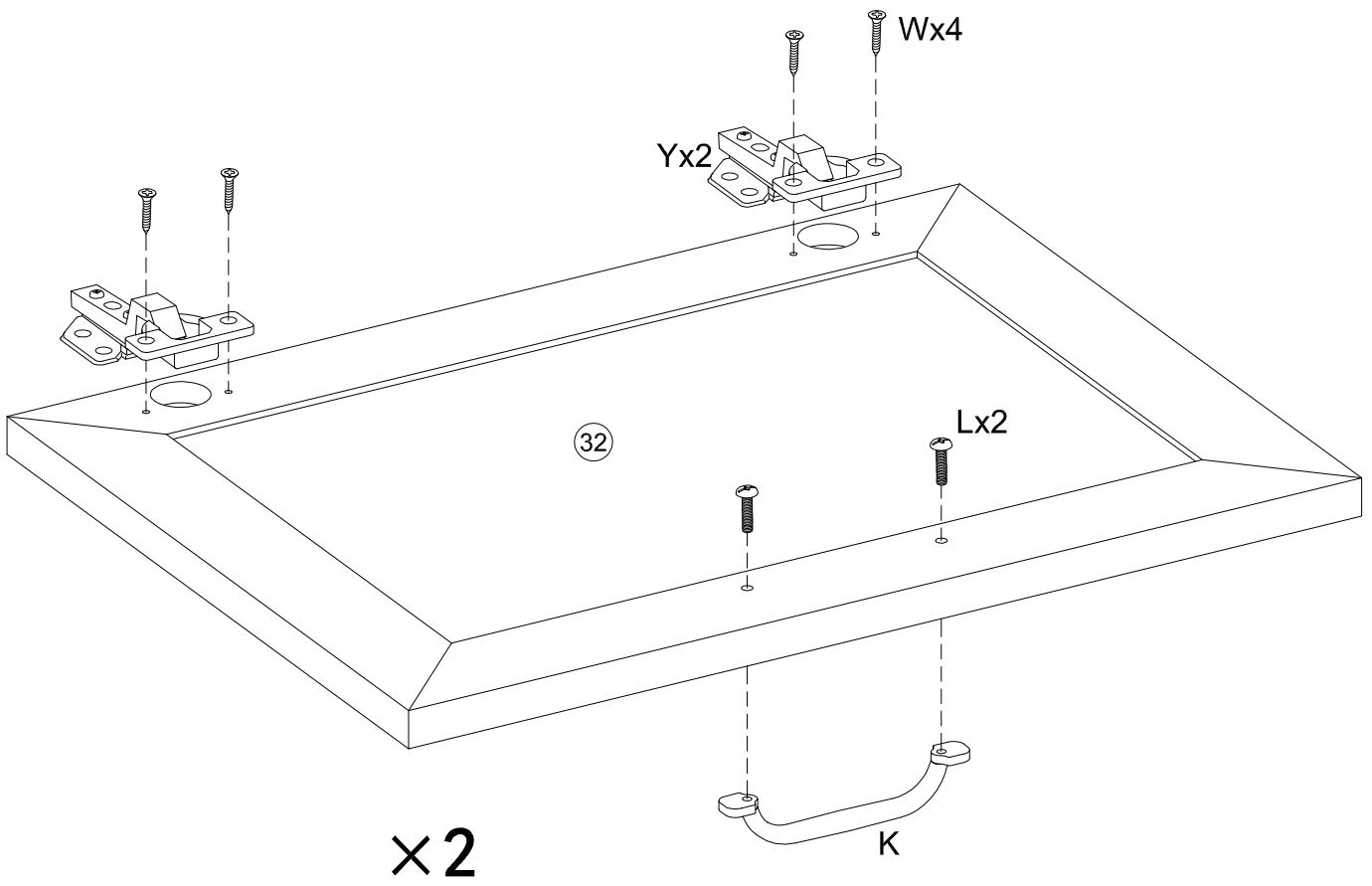
Yx4



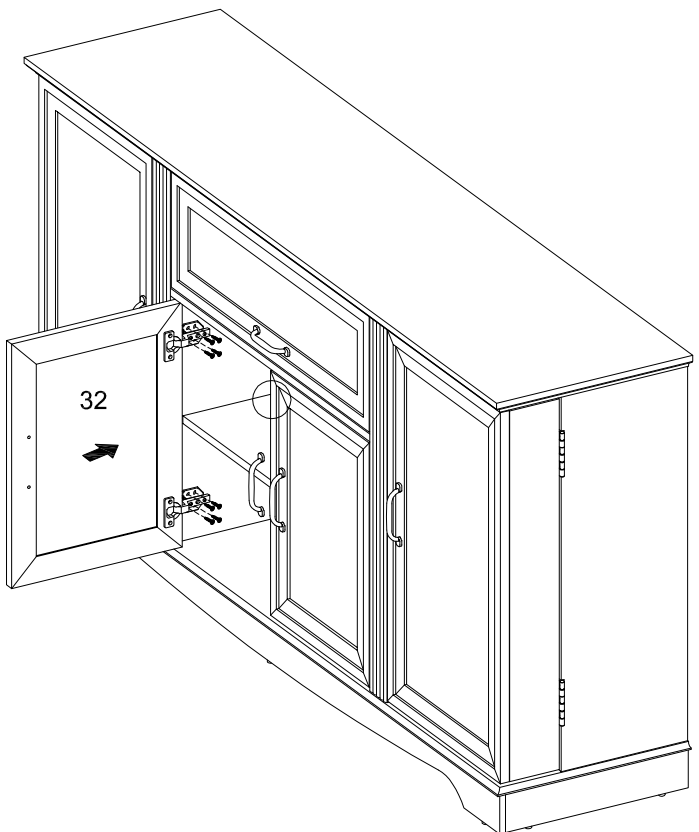
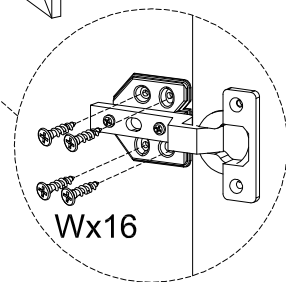
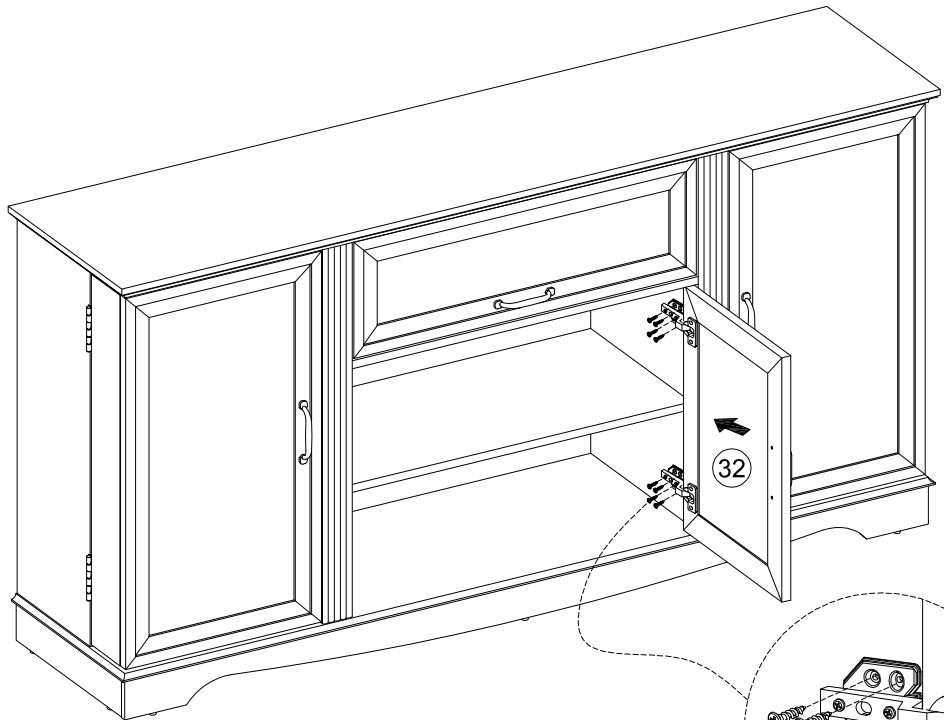
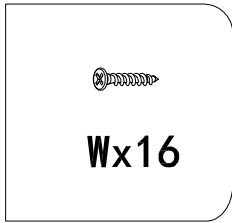
Kx2



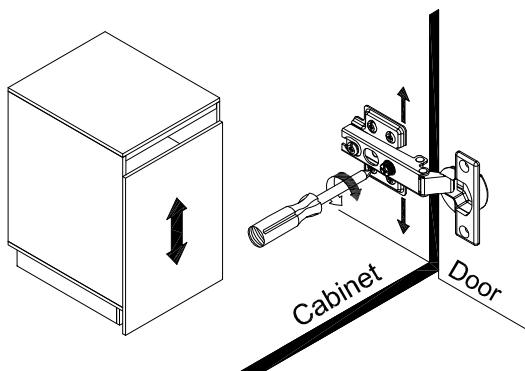
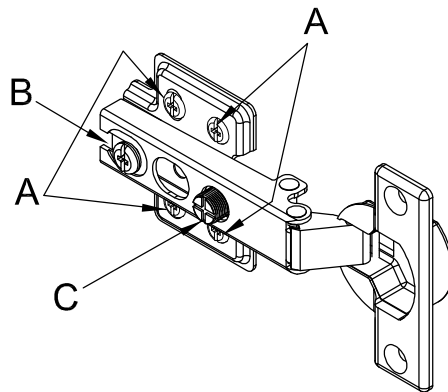
Lx4



31

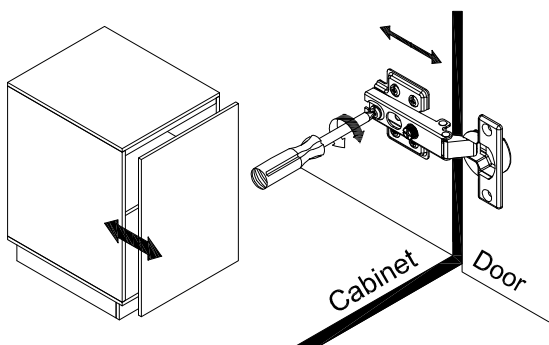


Tight all hinge screws after the door adjustment is finished. Please tighten those screws with hand screwdriver to ensure the panels are not broken.



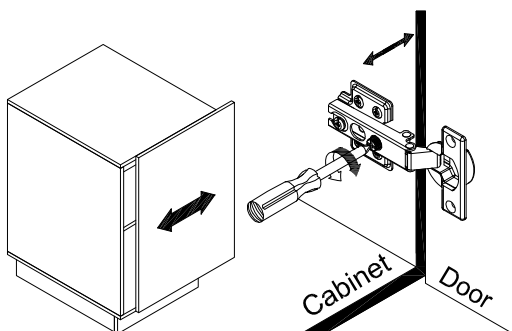
To adjust the vertical height.

Loosen the four screws "A" on both hinges. Two of them are usually in slotted holes which allows you to adjust up or down by a few mm. Then tighten back up.



To adjust depth.

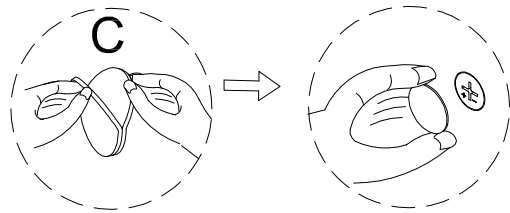
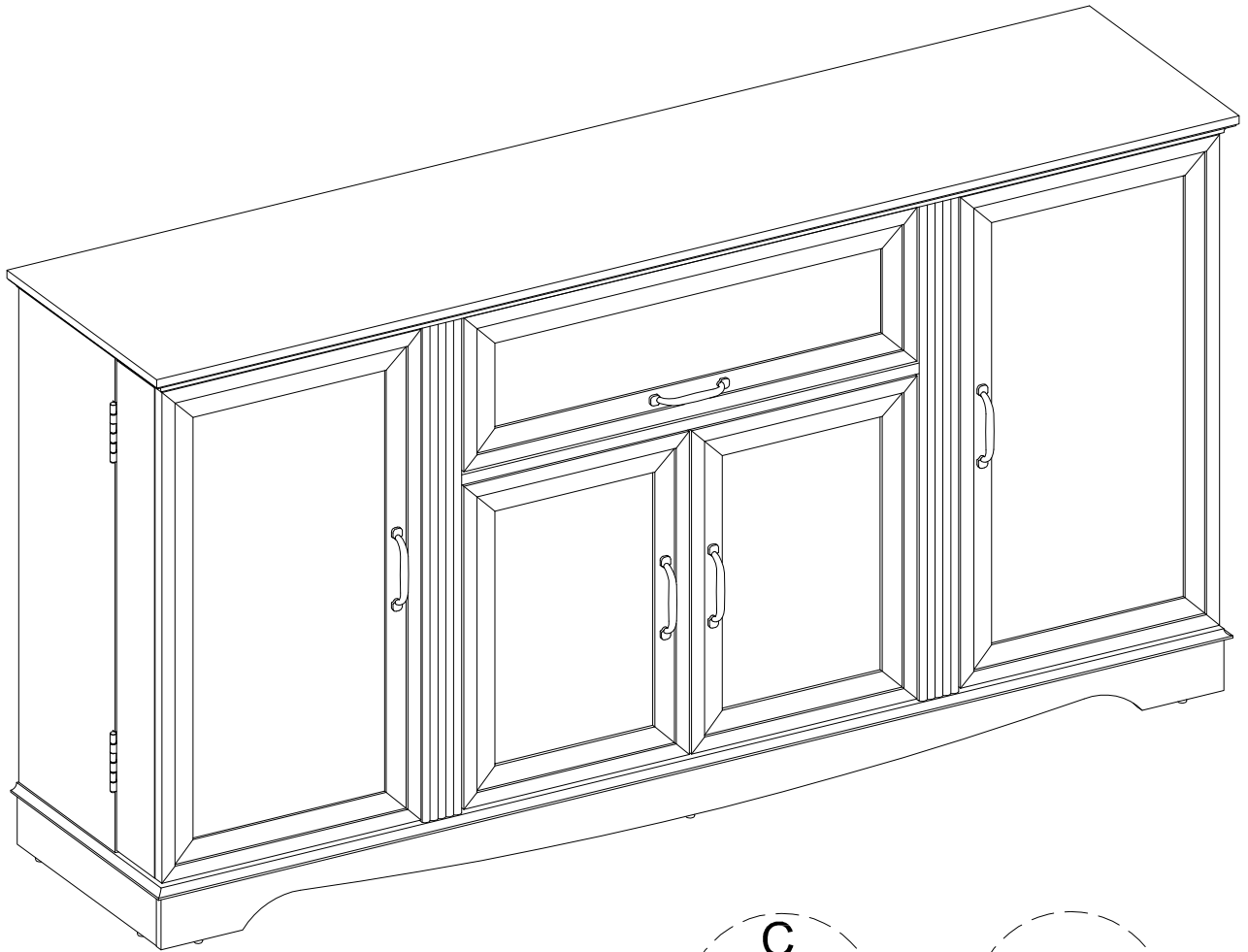
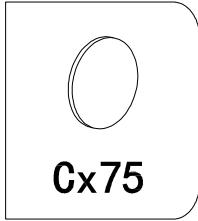
Loosen screw "B" and adjust door, if the door can not be adjusted, please loosen screw "C", then try again. Tighten screw "B" and "C".



To adjust side ways.

Turning the screw "C" on BOTH hinges on each door.

33



· Stick stickers (C) on cam locks (B).

Installation Completed