

A



24PCS

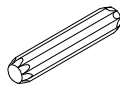
B



24PCS

C

8*40



9PCS

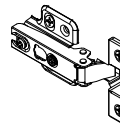
D

3.5*14



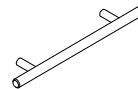
16PCS

E



4PCS

F



1PCS

G

4*18



2PCS

H



8PCS

I

3*12



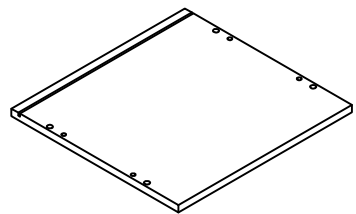
10PCS

J



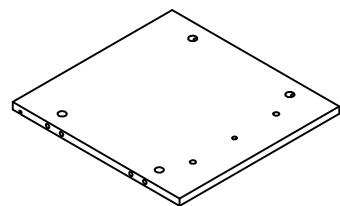
10PCS

1



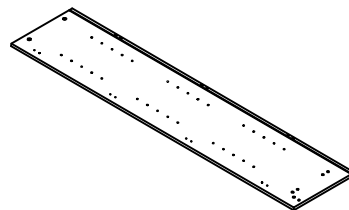
400*385 1PS

2



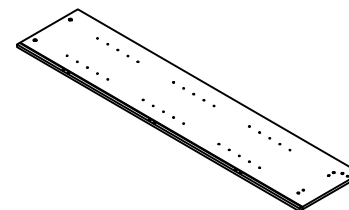
368*385 1PS

3



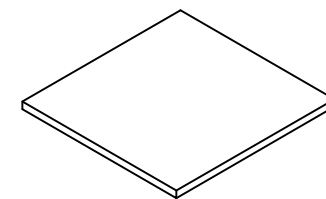
1785*385 1PS

4



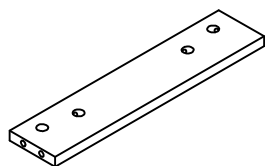
1785*385 1PS

5



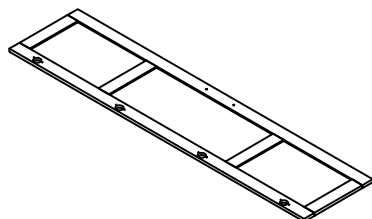
365*335 2PS

6



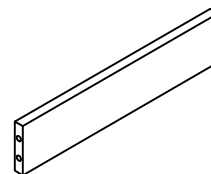
386*80 1PS

7



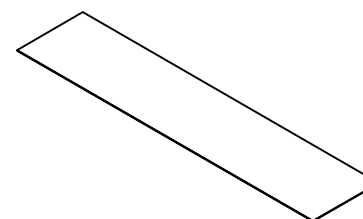
1720*400 1PS

8



386*80 1PS

9



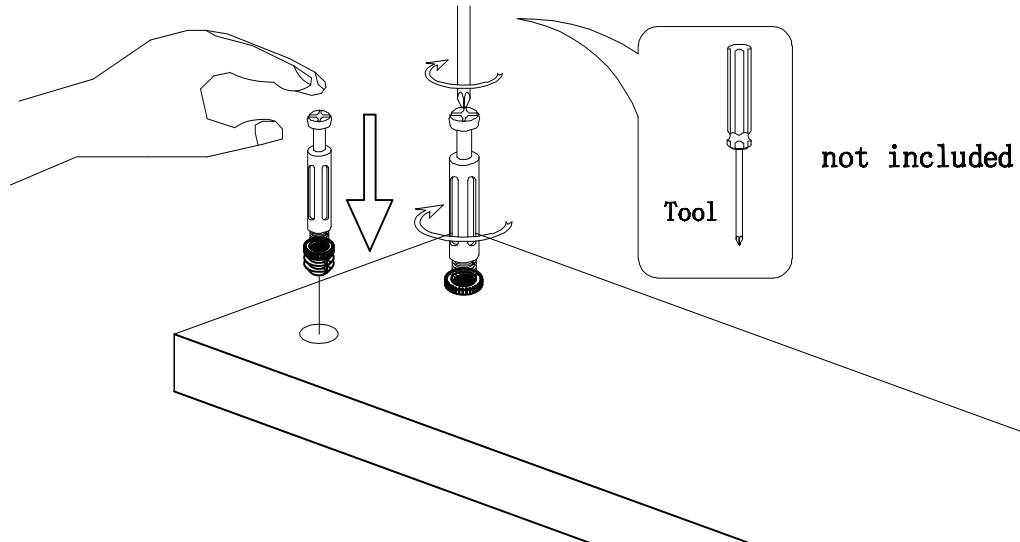
1700*378 1PS



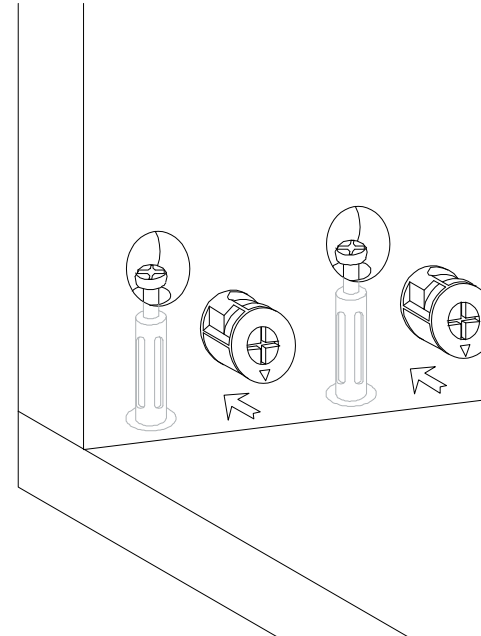
Hardware installation demonstration

NOTE: Please make sure "A" hardware tightened and can't be pulled out!

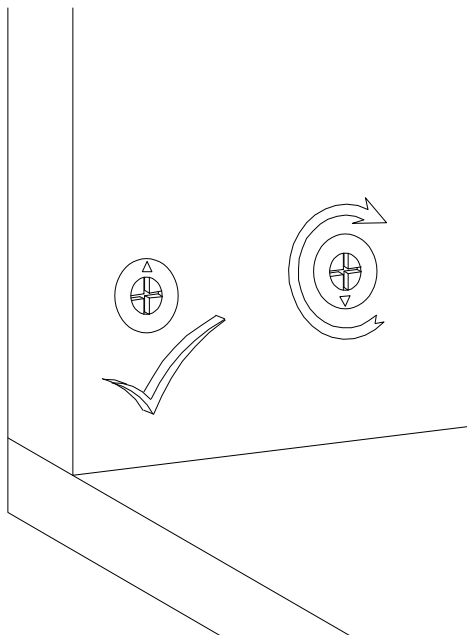
I



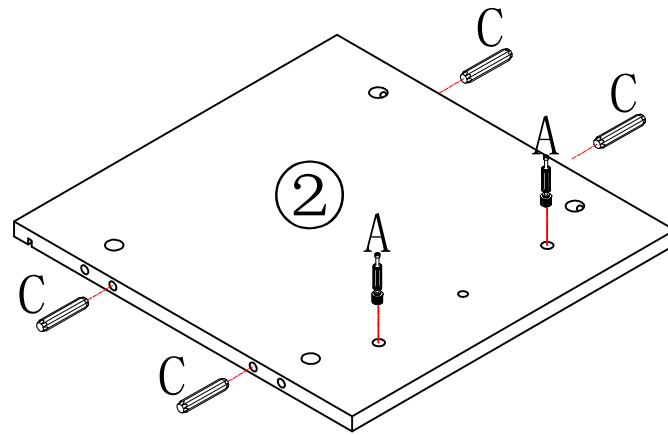
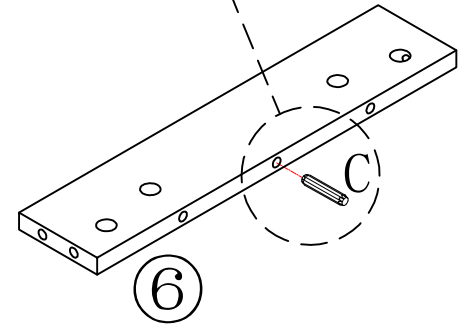
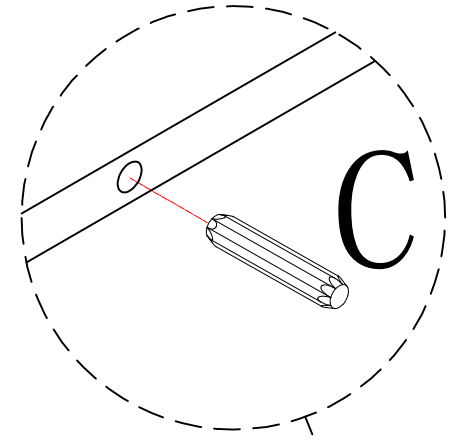
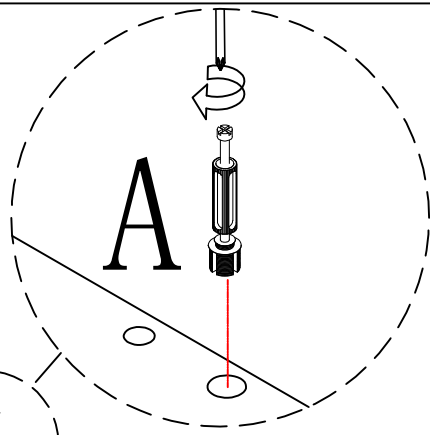
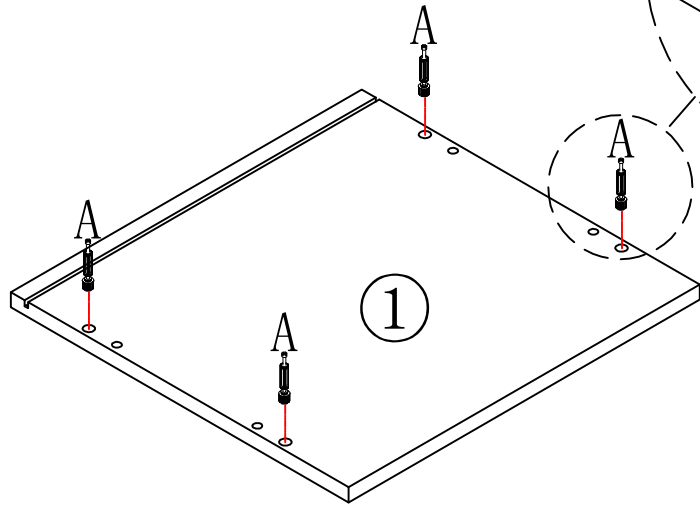
II



III



①



A*6

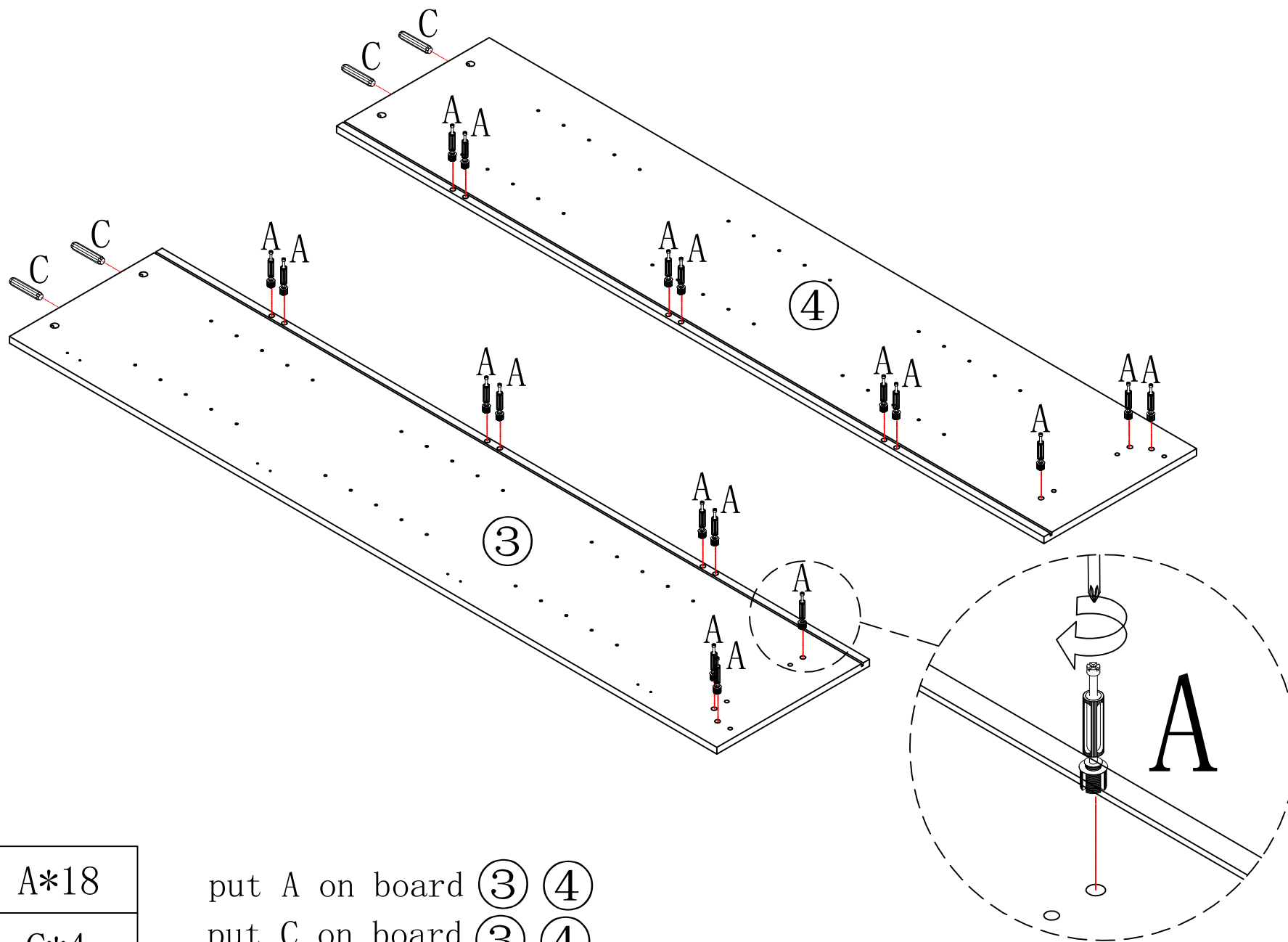



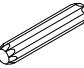
C*5

put A on board ① ②

put C on board ⑥

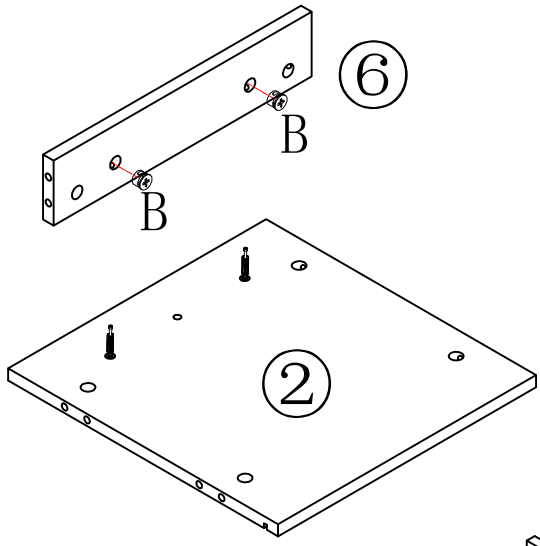
2



	A*18
	C*4

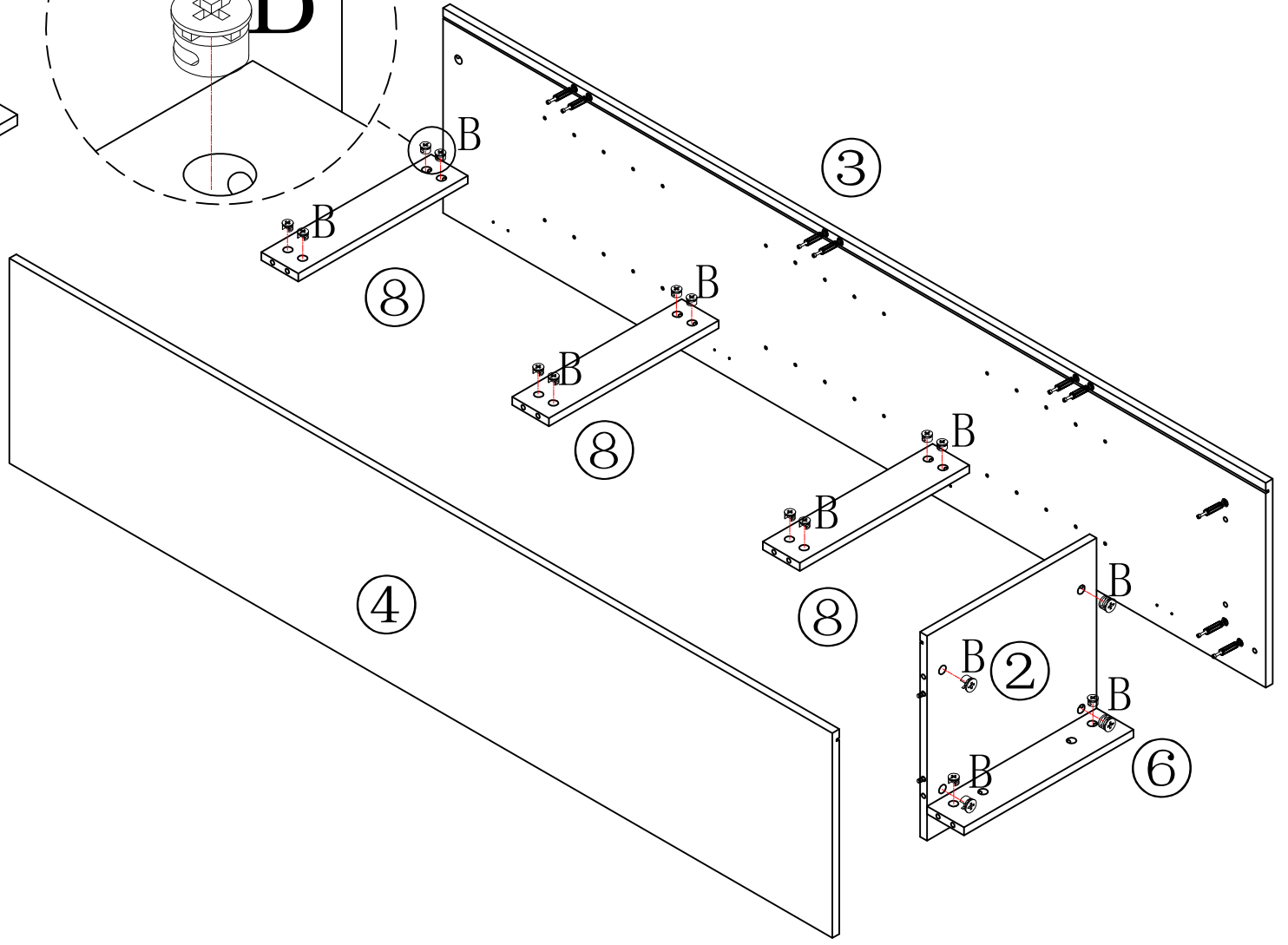
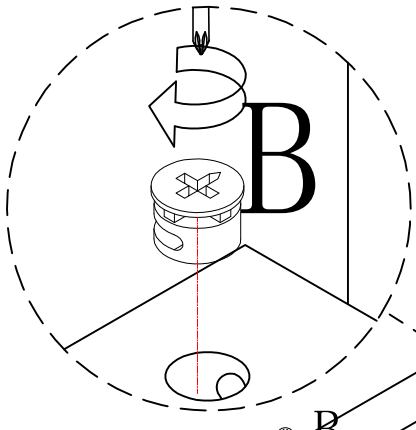
put A on board (3) (4)
put C on board (3) (4)

3



6

Make sure the arrow on the screw align to the hole on the side



8

3

8

8

4

2

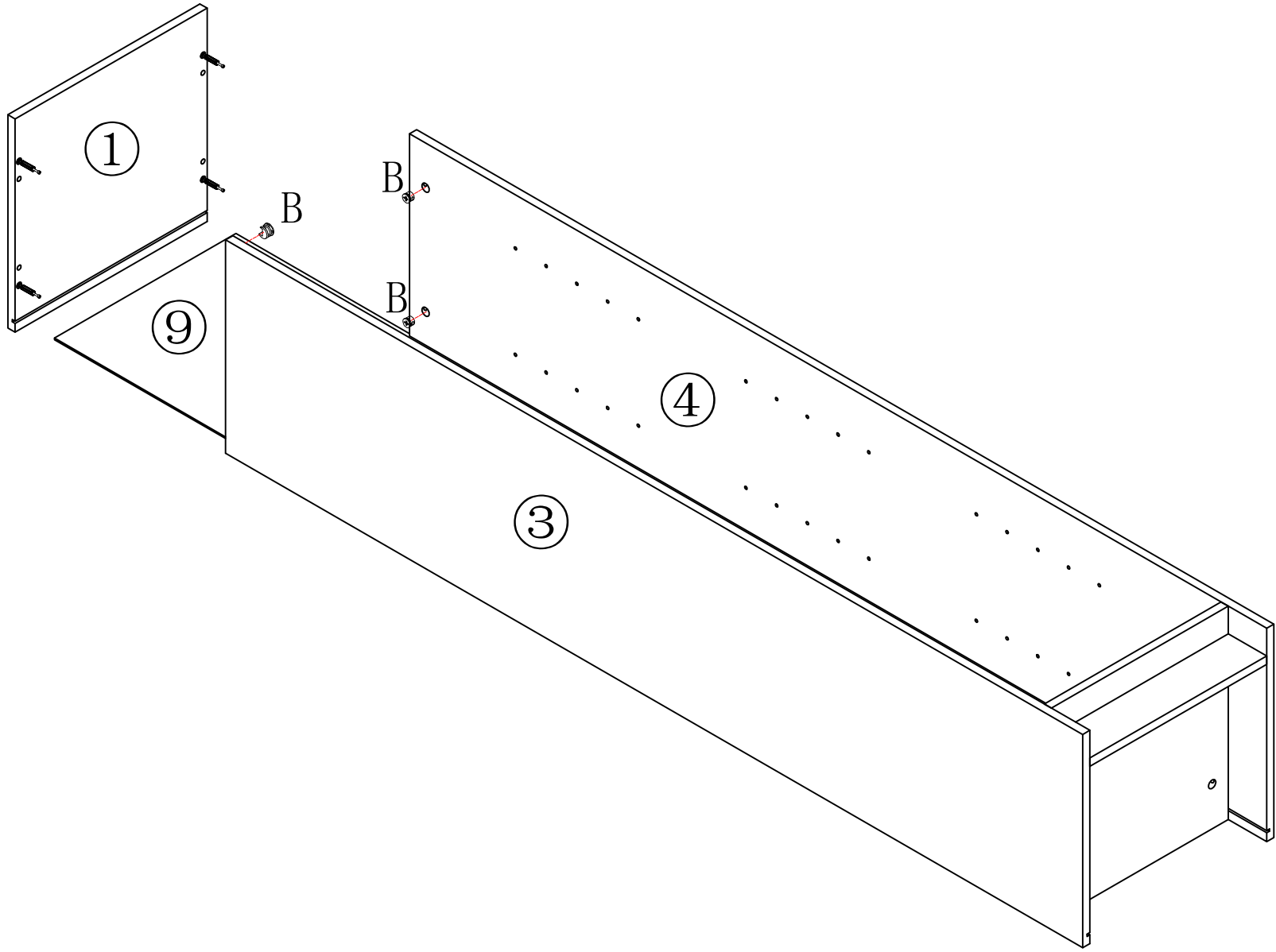
6



B*20

put B on board 2 6 8

4

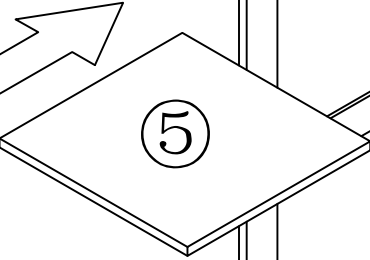
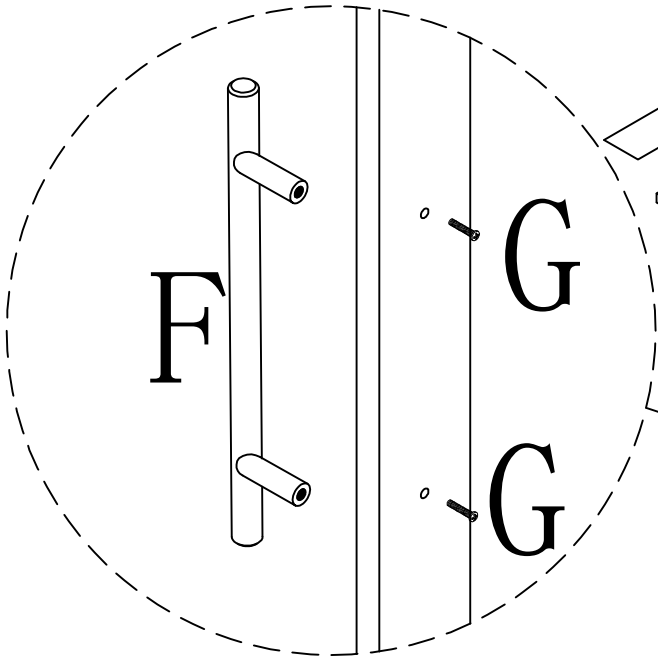


put B on board 3 4



B*4

5

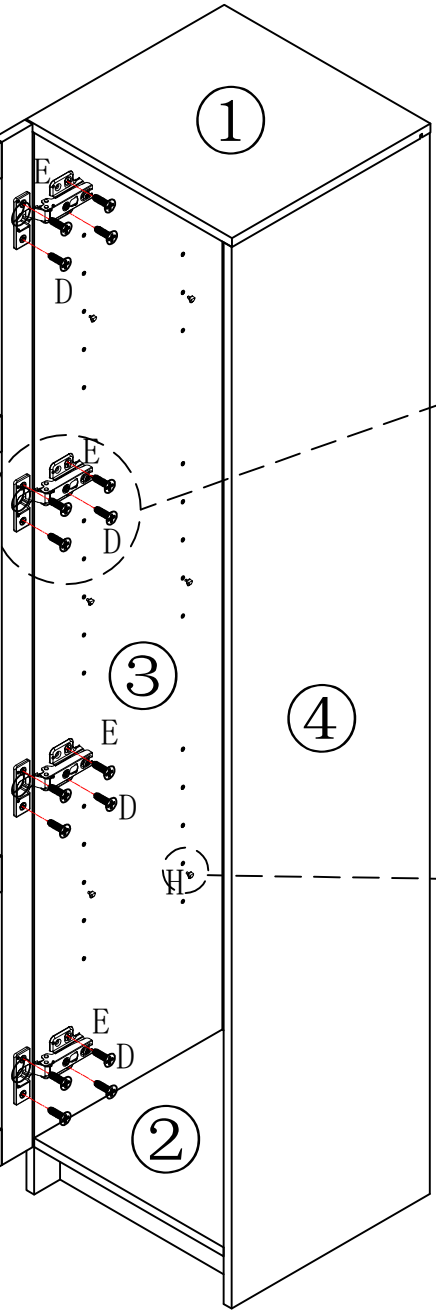


5

5

F

G

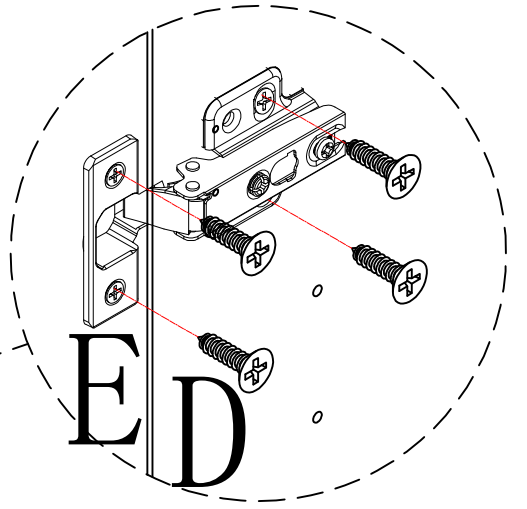


1

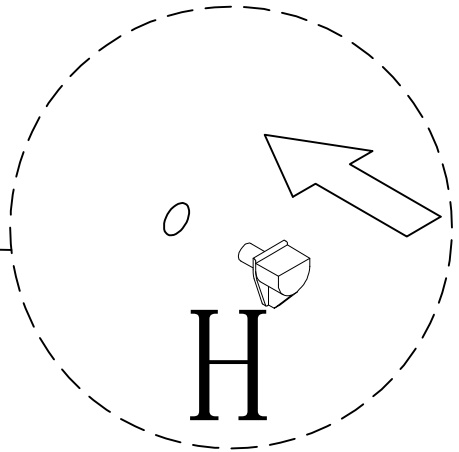
3

4



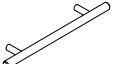


2



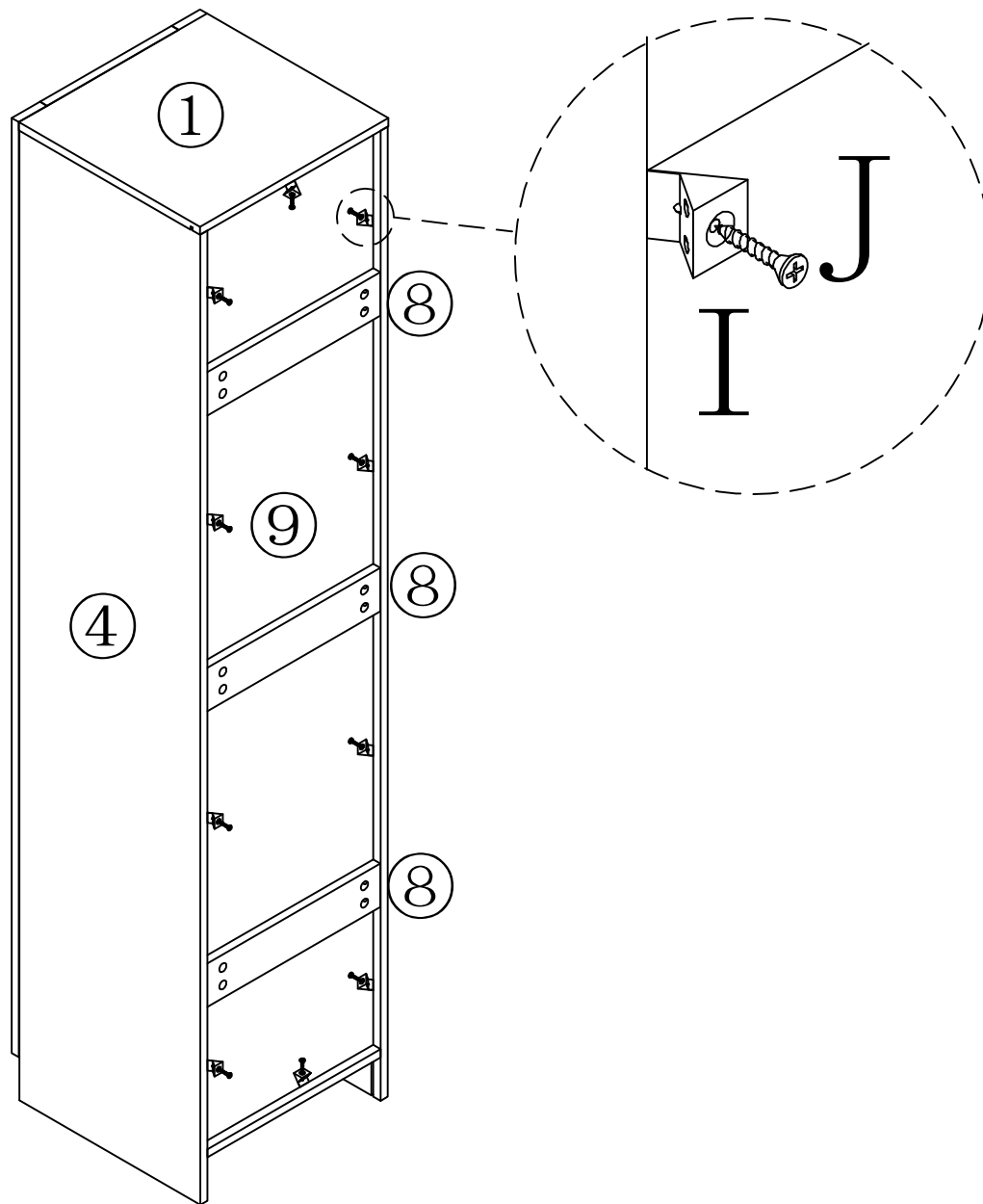
E
D



H

	D*16
	E*4
	F*1
	G*2
	H*8

6

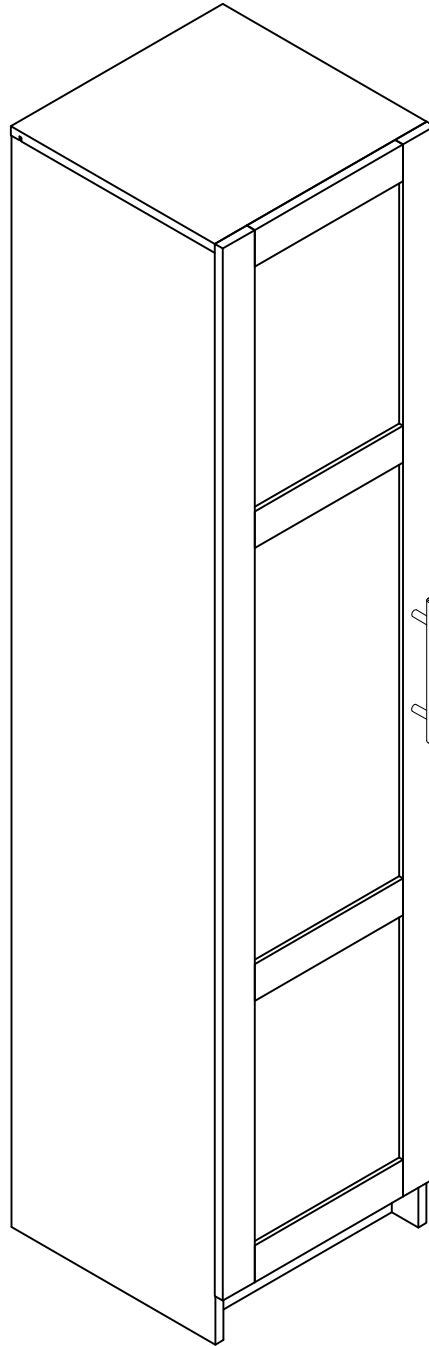


I*10



J*10

7



END