

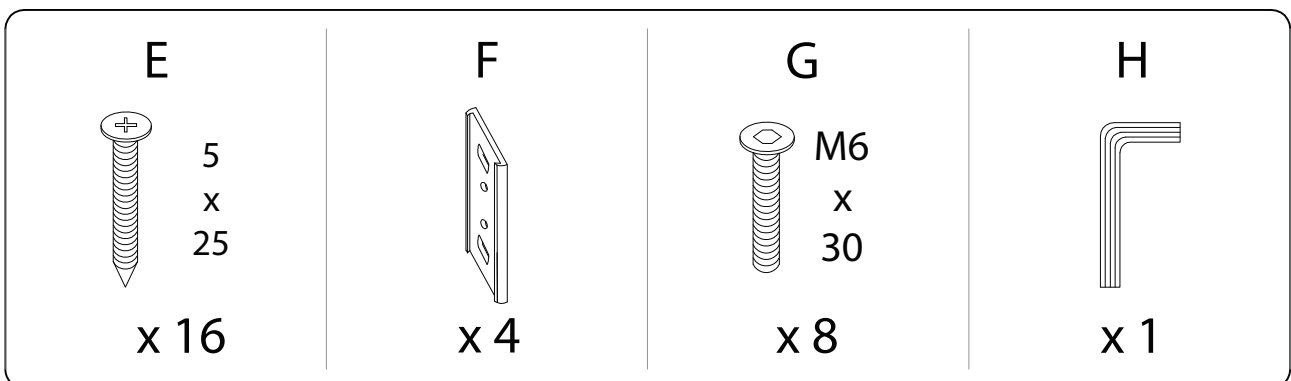
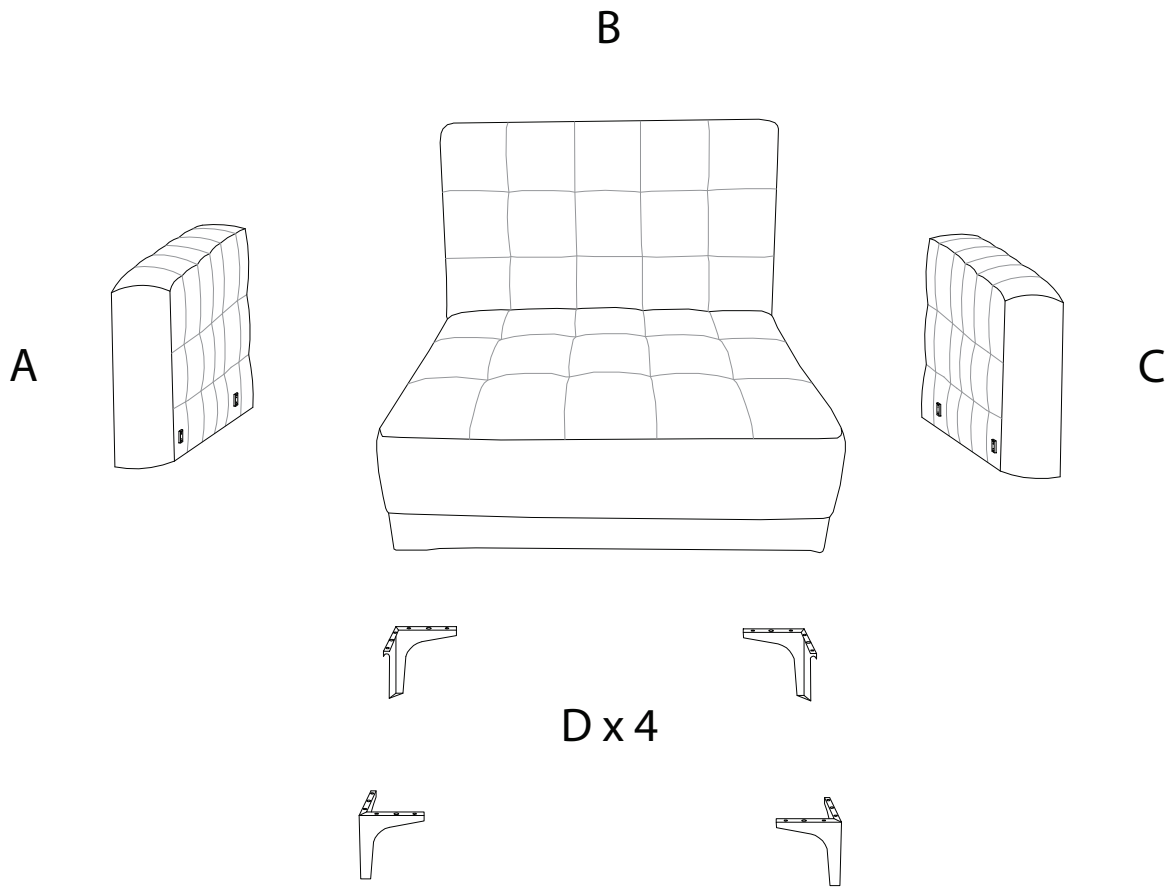
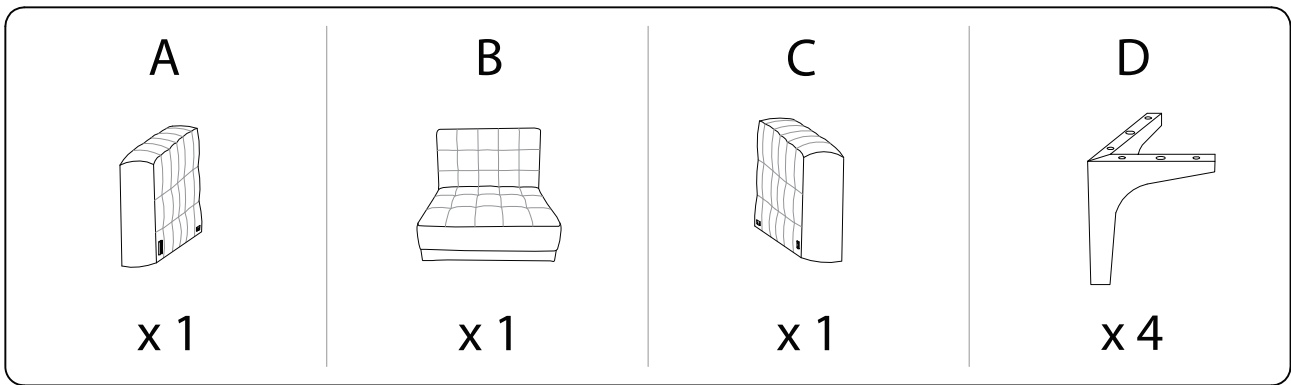
Assembly instructions for the chair, including tool requirements, safety warnings, and estimated time.

Tools: An icon in a circle shows an Allen key and a screwdriver. A power drill is shown with a diagonal line through it, indicating it is not required.

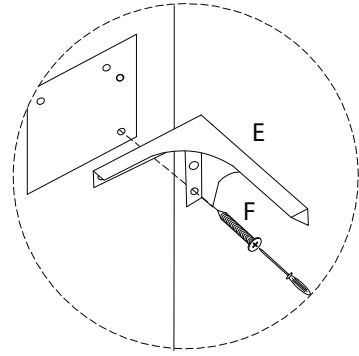
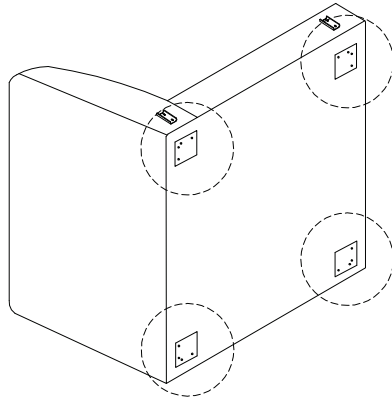
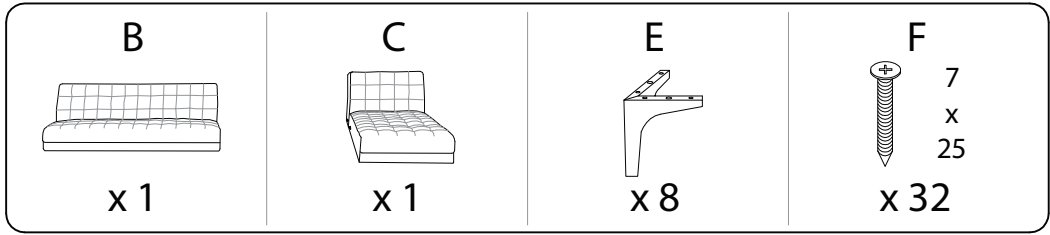
Warnings: Two warning triangles (exclamation marks) are present. The top one is connected to the tool icons, and the bottom one is connected to the material icon.

Time: A clock icon is shown with the text "30'" below it, indicating an estimated assembly time of 30 minutes.

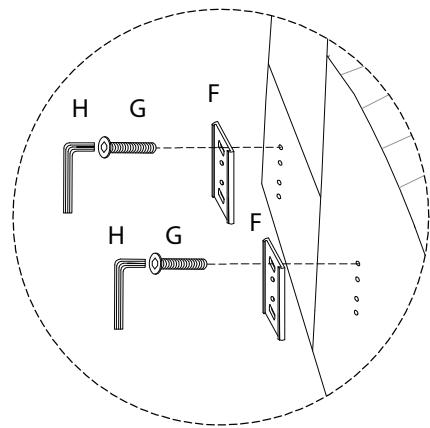
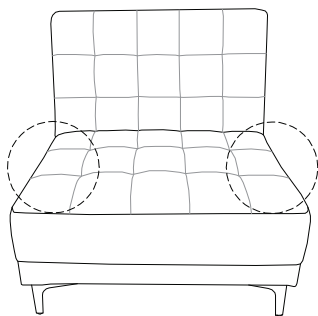
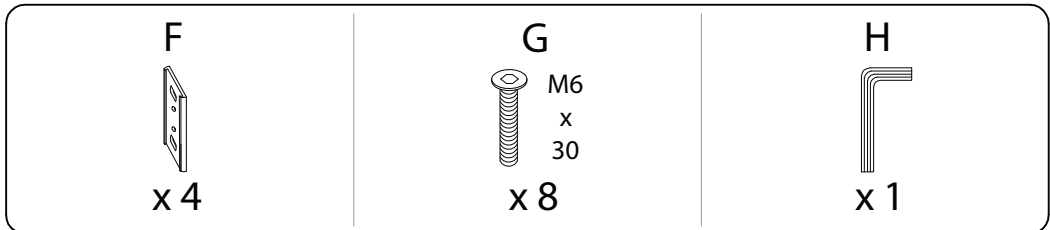
Personnel: An icon of a person is shown with the number "2" below it, indicating that two people are required for assembly.



1



2



3

A



x 1

B



x 1

