





# Installation Instructions





## 1. Parts Included



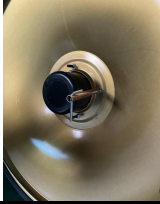

			
Base	Pump Cover	Pump	Step Pedal
			
Backrest	Footrest	Seat	Screws & Tool



## 2. Installation Instruction

### Step 1. Install the pump to the base

1. Parts you will need for this step.

			
Base	Pump Cover	Pump	Step Pedal & Screws

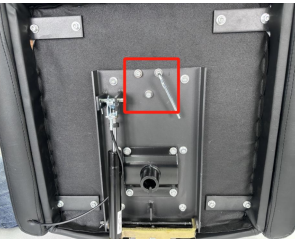
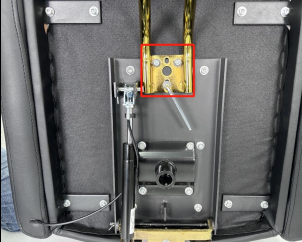

			
1-1. Align the 4 screw holes on the pump and the base, and insert the pump into the base.	1-2. Put the long end of the wrench through the sleeve.	1-3. Tighten the 4 nuts with the tool to secure the base and pump. (Make sure the screws are tightened to avoid wobbly of the chair)	1-4. Insert the step pedal into the pump, and tight the screws on both sides of the pump.

	
1-5. Put on the pump cover to the pump.	1-6. Align the cover with the screw hole of the pump, use the "cross" end of the wrench to tighten the screws to secure the cover.


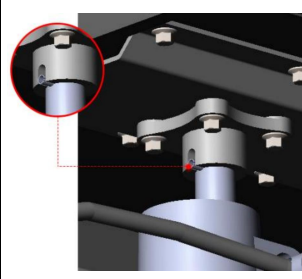

## Step 2. Install the footrest to the seat

Parts you will need for this step.

		
<p>Seat</p>	<p>Footrest</p>	<p>Tool</p>

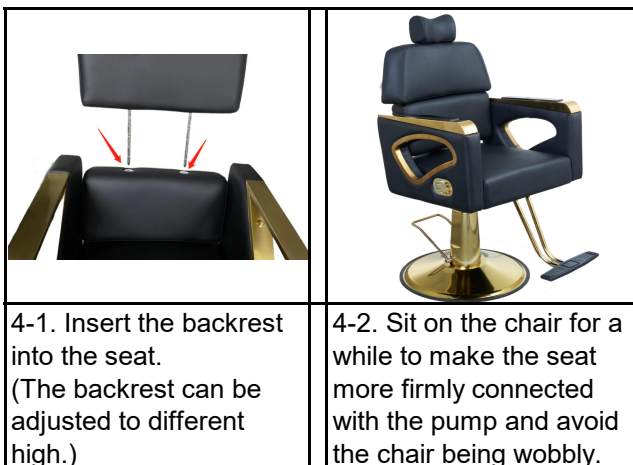
		
<p>2-1. Remove 3 pre-installed screws with the tool provided, keep them for the next step.</p>	<p>2-2. Align the footrest and the 3 screw holes on the seat, insert the screws and tighten.</p>	

## Step 3. Install the seat to the pump

		
<p>3-1. Lift the seat to align with the pump and insert to the pump. (Two people is recommended to complete this step)</p>	<p>3-2. Adjust the direction of seat. (Please note the pinon the pump toward the gap of the pump joint).</p>	

#### Step 4. Install the backrest to the seat

Parts you will need for this step.



**Please feel free to contact us if there are any problems with installation or items. We will reply to you within 24 hours.**