



LIGHT SOURCE DATA

- 40W Max E14 SES (required)
- Lamp direction - Downwards
- Lamp shape - Standard
- Dimmable
- Energy range: A++, A+, A, B, C, D, E

DIMENSION DATA

- Height 200mm
- Width 170mm
- Depth 280mm

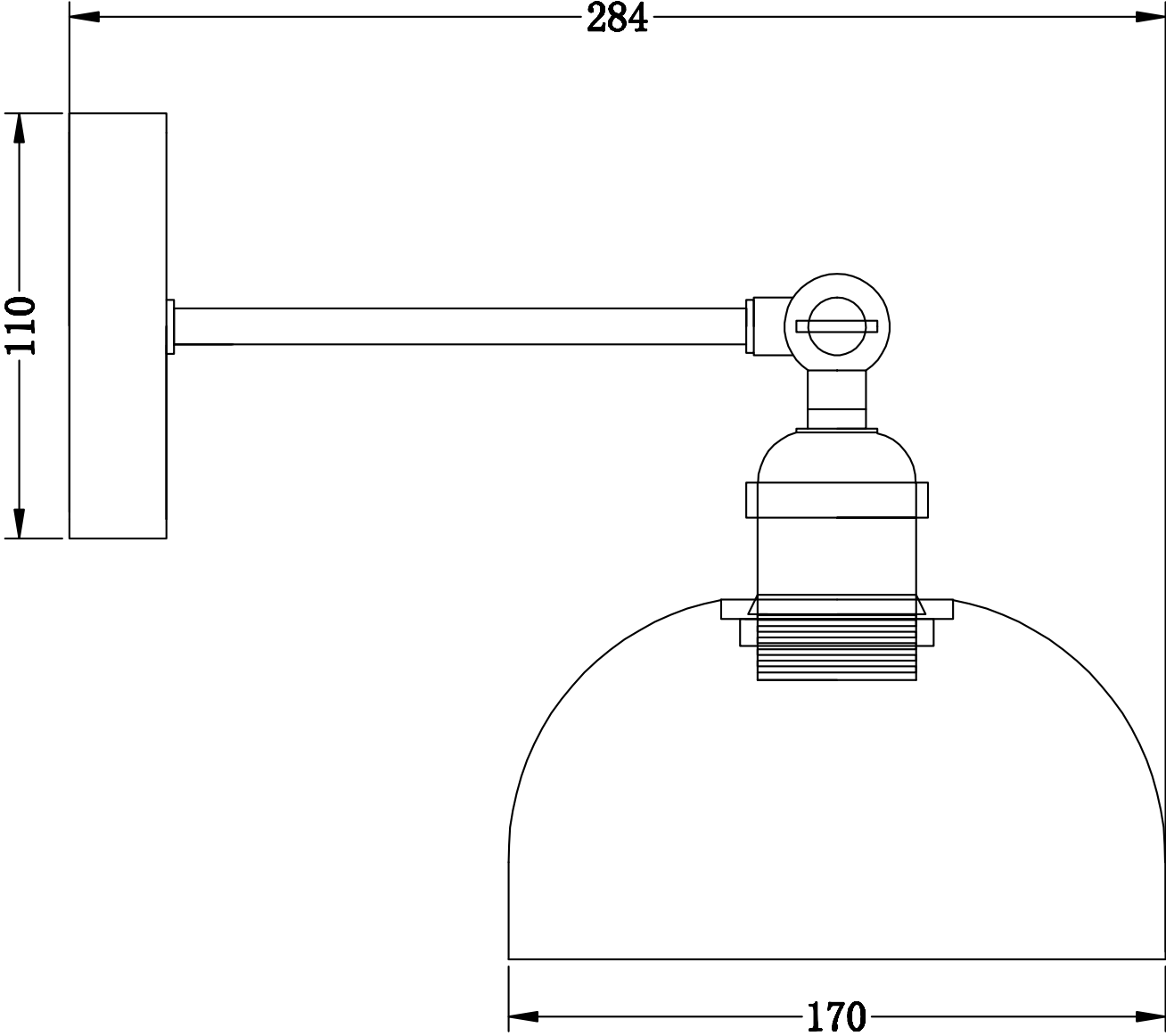
- Weight .54kg

SPECIFICATION

- Manufacturer warranty for 2 years from date of purchase
- Industrial nickel plate with antique copper plate detail
- IP20
- Class I - Single Insulated, Earthed
- 240V
- Assembly required? No
- CE Marking, Energy Efficient, Energy Saving

CERTIFICATION





CERTIFICATION



CONTACT