



20 : 00

estimated
assembly time



2 or more

people required

Ok, let's
get started!



- Put on mood music!
- To prevent damage to product, use the clean side of package carton or rug as working surface.
- In the event of missing or damaged parts, delivery problems etc., please reach out to our team.
We will be happy to fix the problem!

care guide

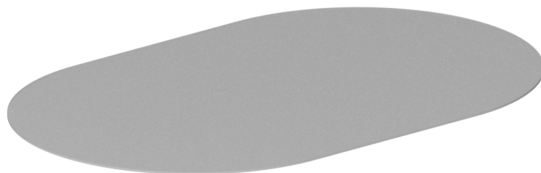
- Clean regularly with a soft and dry cloth.
- To protect finish, avoid use of abrasive cleaners.
- Wipe up spills immediately. Please!



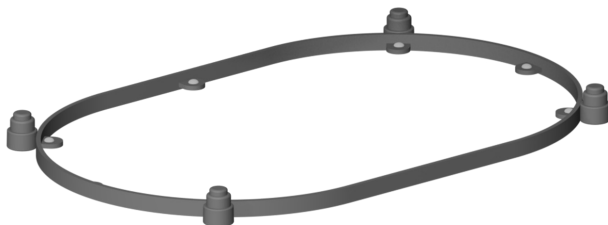
ⓘ While assembling the product, tighten the bolts up to 50%. Once all parts are in place, only then fully tighten the bolts.



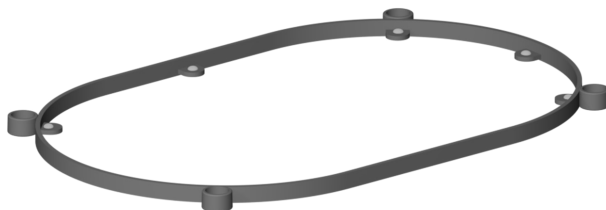
product parts



(A)
Glasses
x2



(B)
Top metal frame
x1



(C)
Metal frames
x1

product parts



(D)
Metal Rods
x4



(E)
Metal legs
x4

Note: Bumpons are preattached on the metal frames and they should be facing upwards when placing the glasses.

assembly instructions

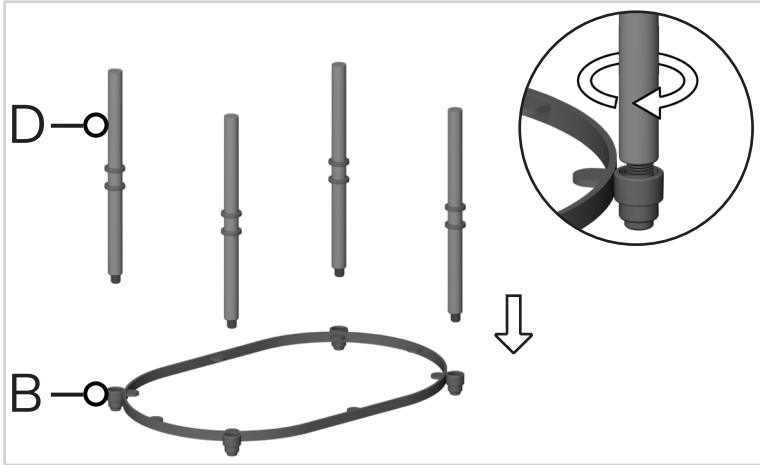
Friendly Tip: Take a deep breath going in. This may be a tricky part, but nothing too overwhelming. Just follow these steps to the T and the outcome will be worth it!



- ⓘ While assembling the product, tighten the bolts up to 50%. Once all parts are in place, only then fully tighten the bolts.

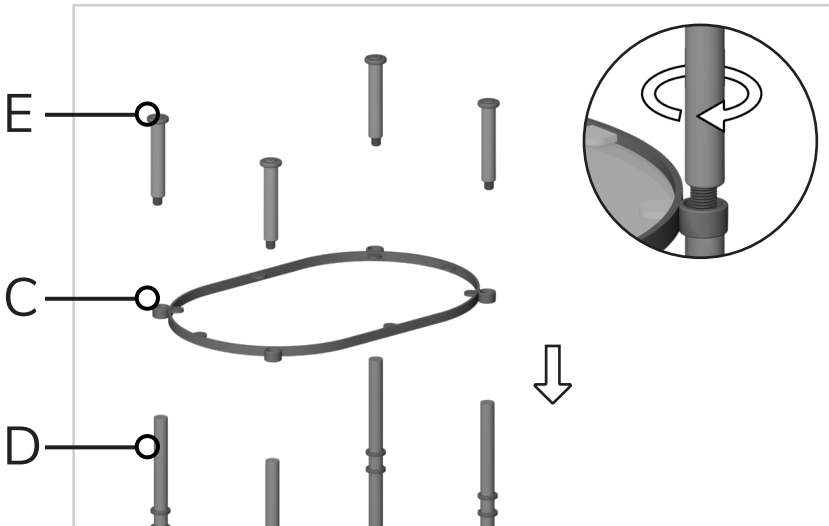
step 1:

Place Top Metal Frame (B) upside down and attach the metal rods (D) by rotating them clockwise as shown below. Tighten them upto 80%.



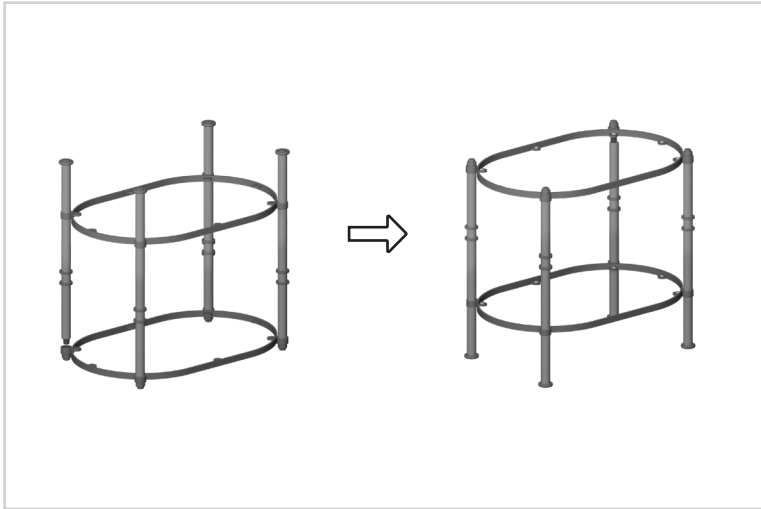
step 2:

Similarly, attach the metal legs (E) to the metal frames (C) by rotating clockwise as shown below.



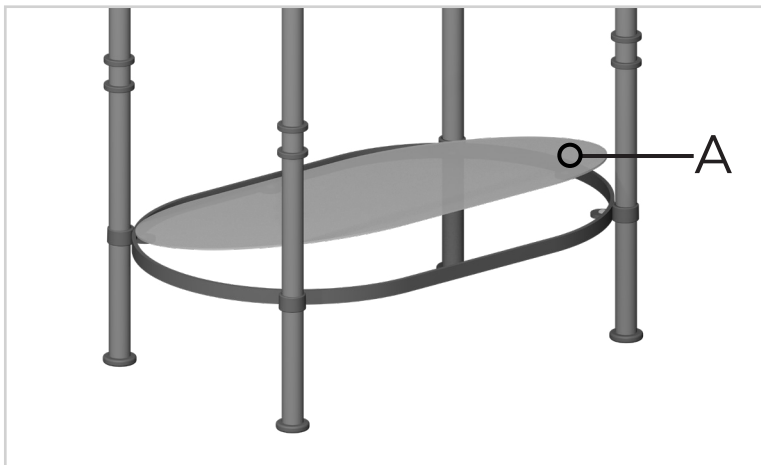
step 3:

Once all the parts are aligned, tighten them fully to ensure maximum sturdiness and flip the assembled end table upside down.



step 4:

Now, start by placing the glasses (A) from bottom to top over the preattached bumpons. Ensure that they are held securely and fixed properly in place.





Voila! Your table is now assembled and secure!

you've
got
a home
with us

