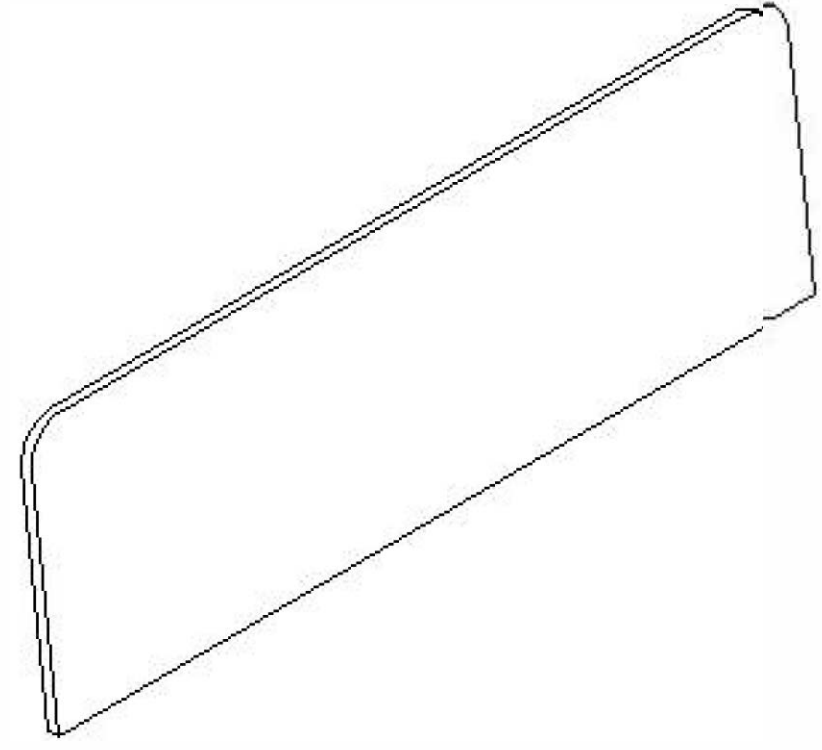


ASSEMBLY INSTRUCTION

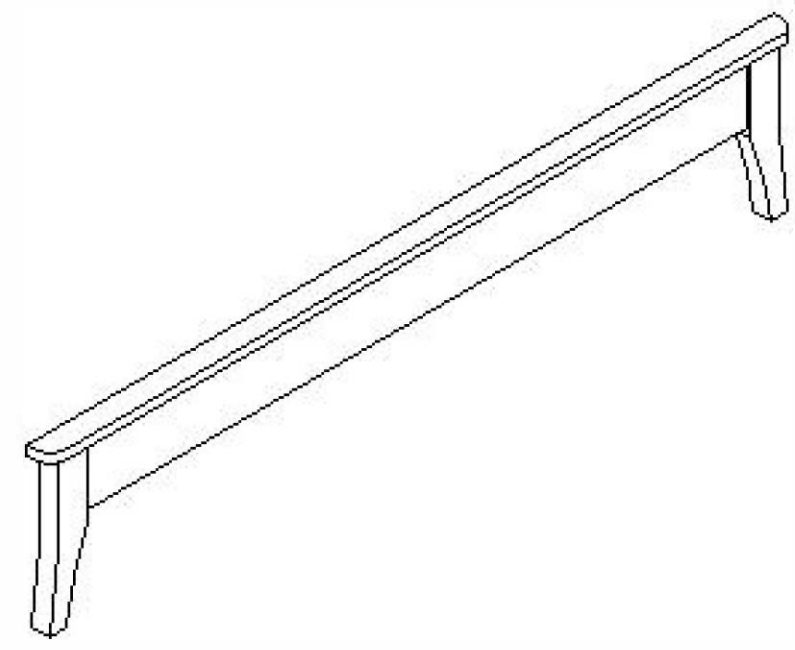
FULL BED
QUEEN BED

A Headboard



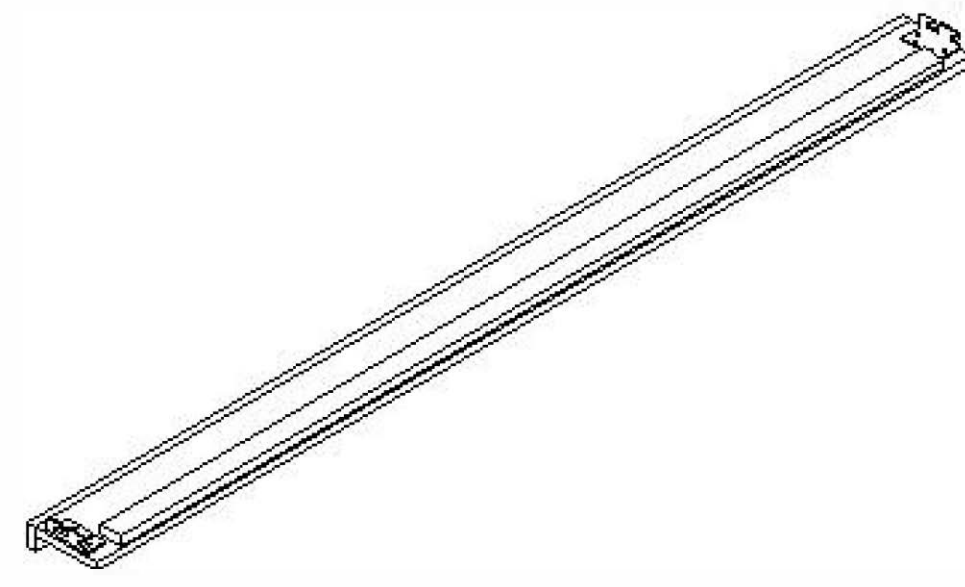
1pc

B Footboard



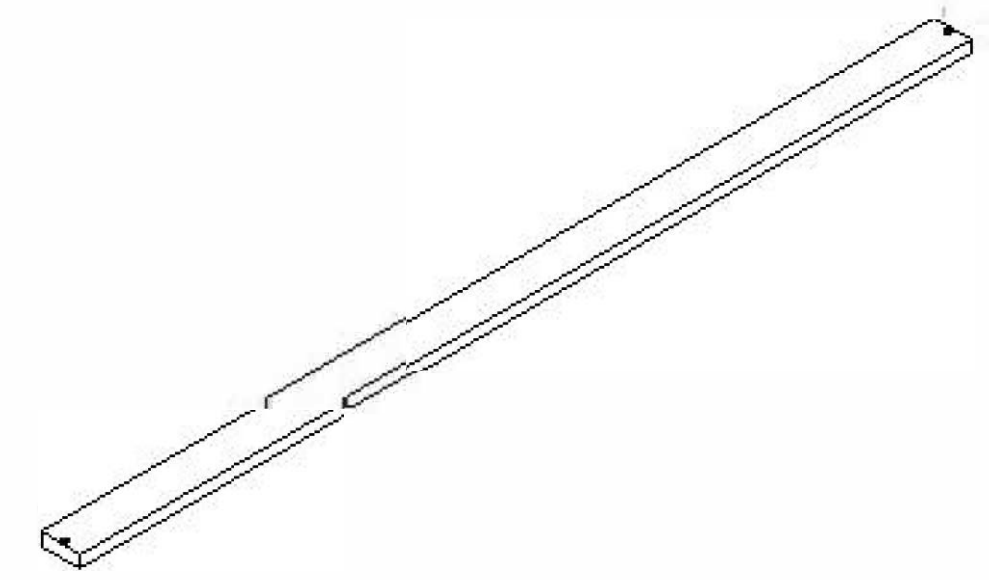
1pc

C Side Rail



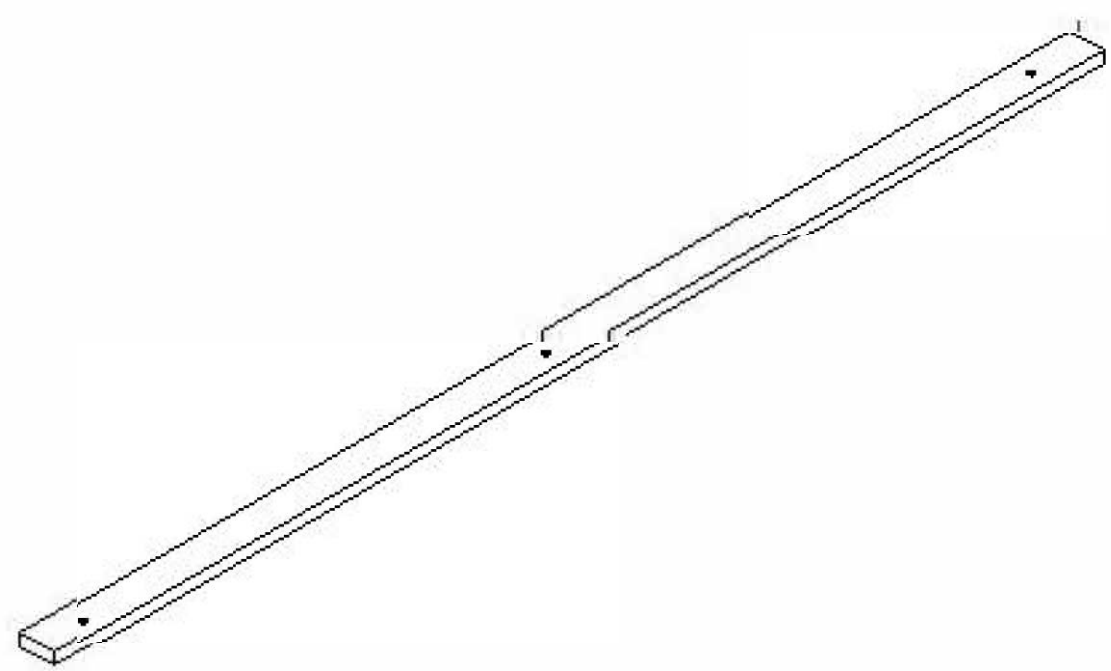
2pcs

D Bed Slat



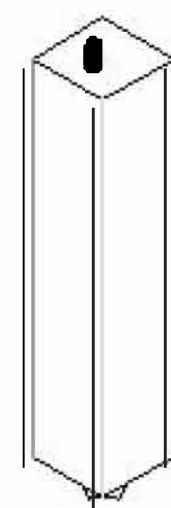
8pcs

E Center Bar



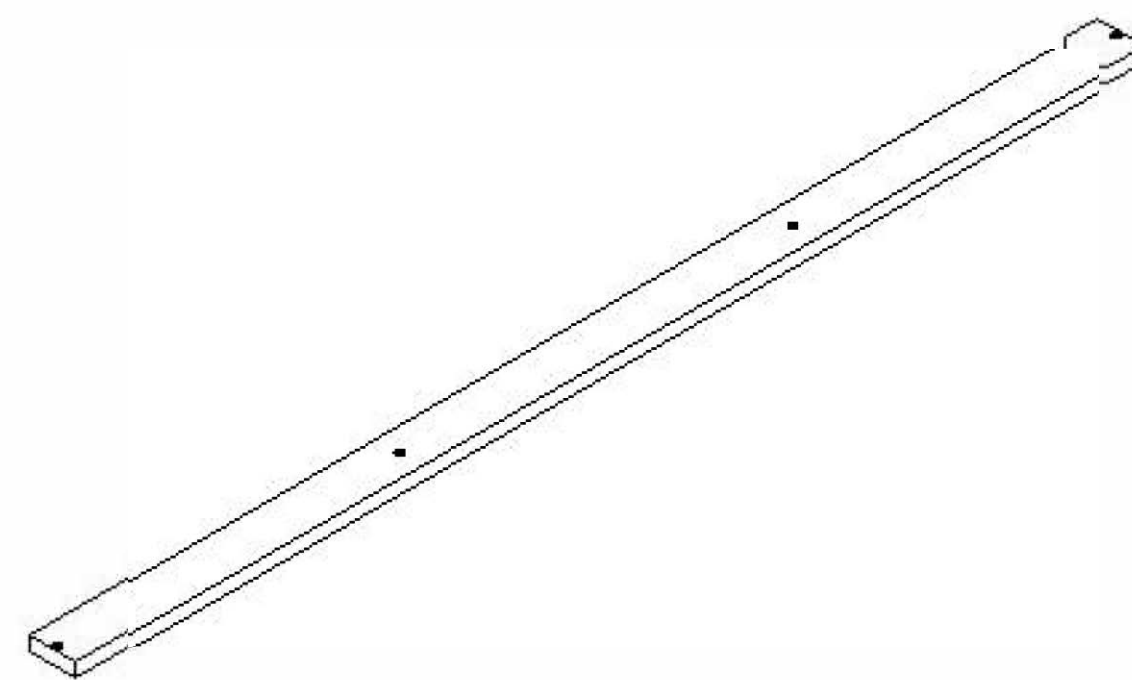
2pcs

F Support Stand



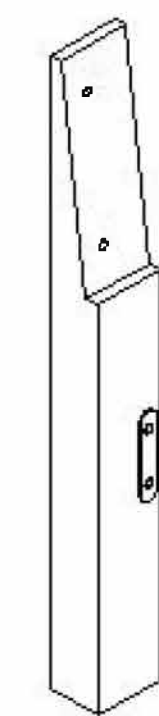
6pcs

G Bed Slat with 4 Holes



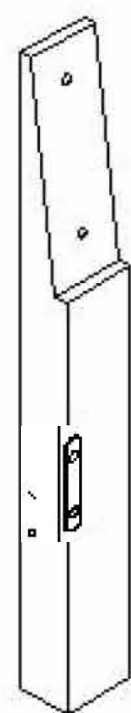
4pcs

H Headboard Post (Left)

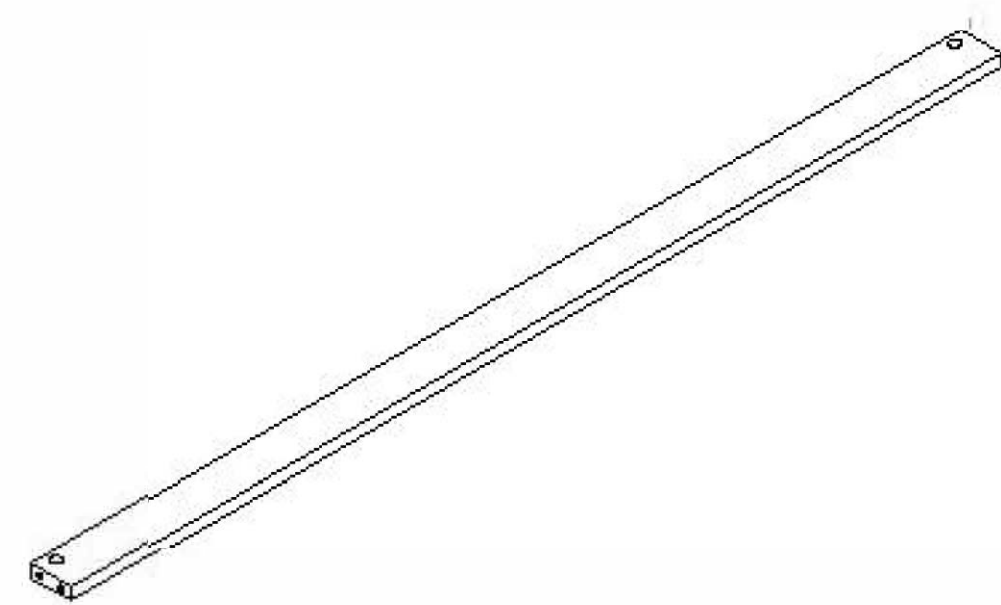


1pc

I Headboard Post (Right)

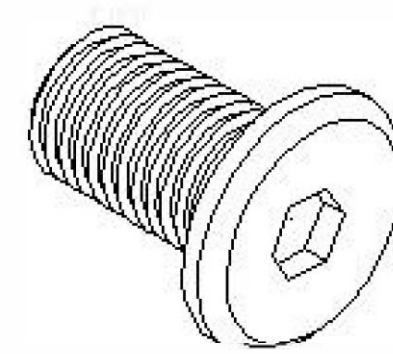


J Headboard Bar



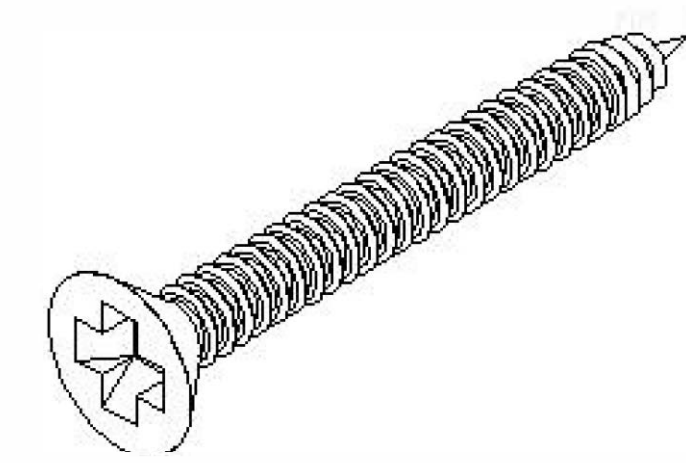
1pc

K JCBB Bolt
M8*20mm



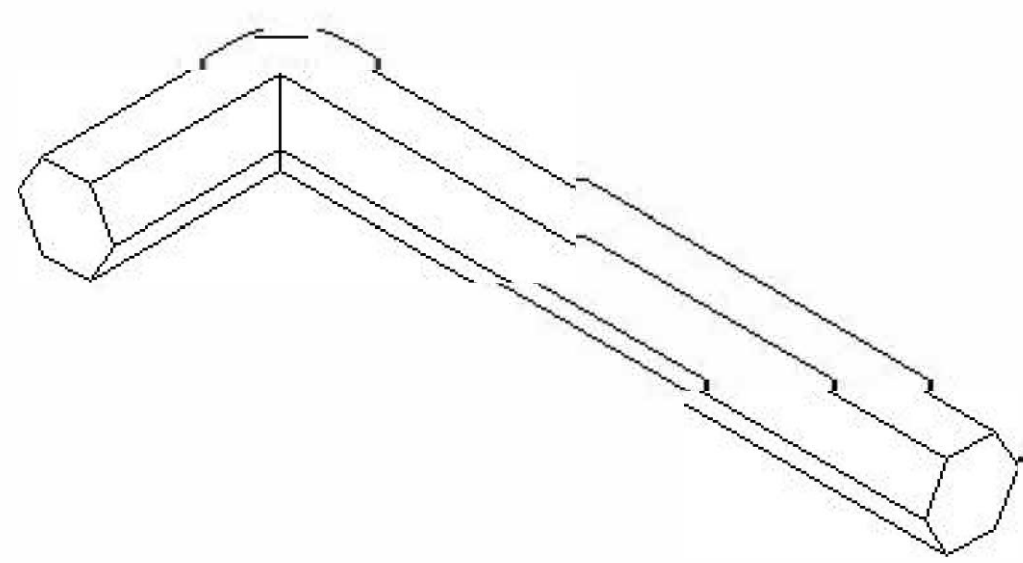
8pcs

L Screw
M4*32mm



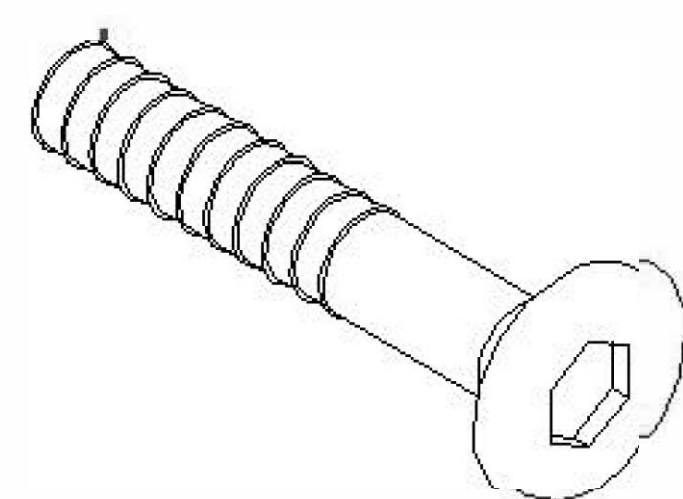
32pcs

M Allen Key
M5



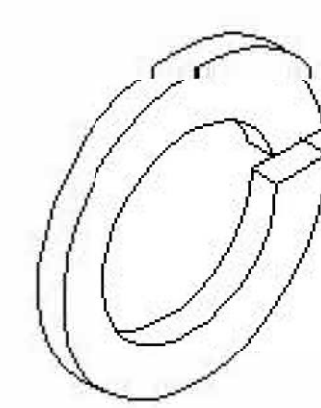
1pc

N JCBC Bolt
M6*30mm



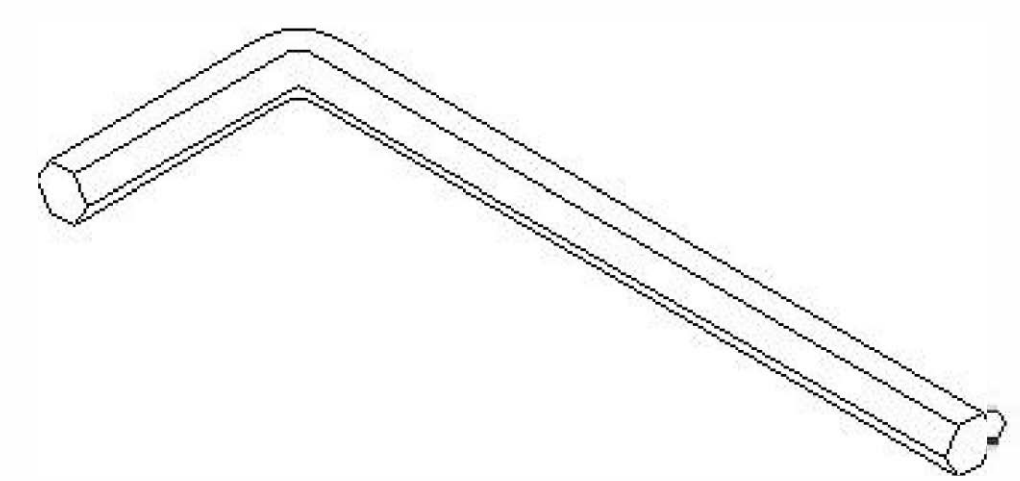
4pcs

O Spring Washer
M6



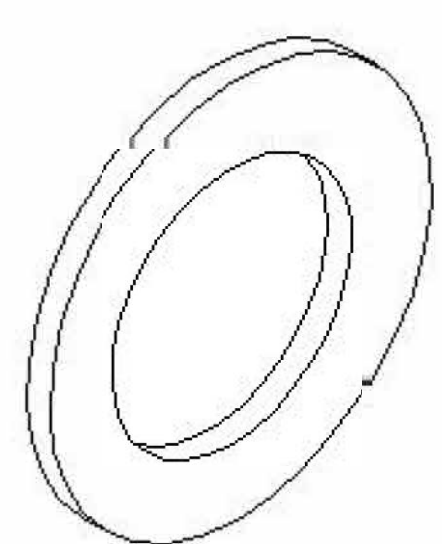
4pcs

P Allen Key
M4



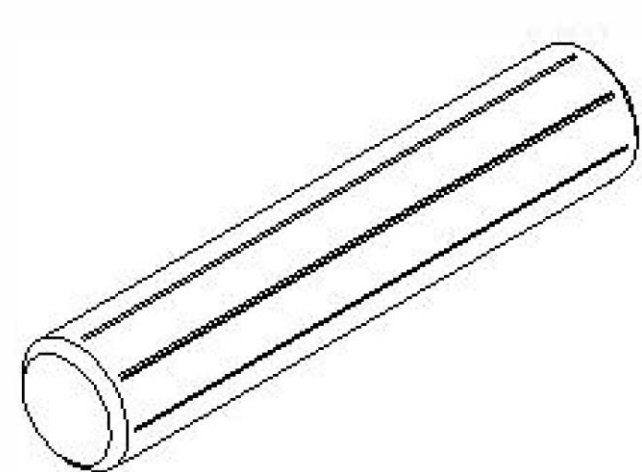
1pc

Q Flat Washer
M6



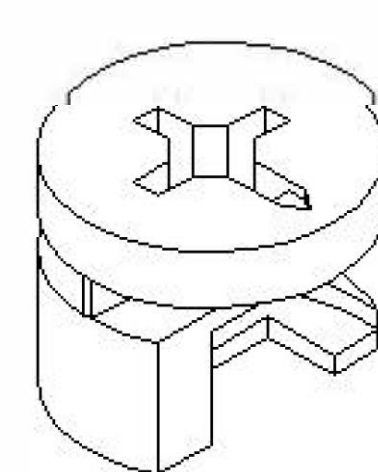
4pcs

R Dowel
M8*35mm



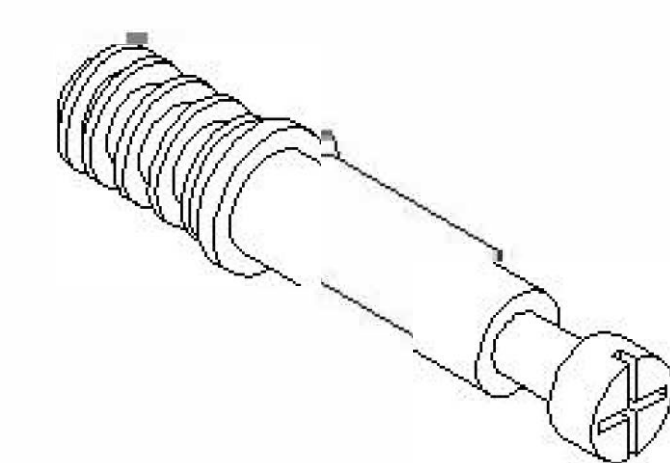
2pcs

S Cam Lock
15*12mm



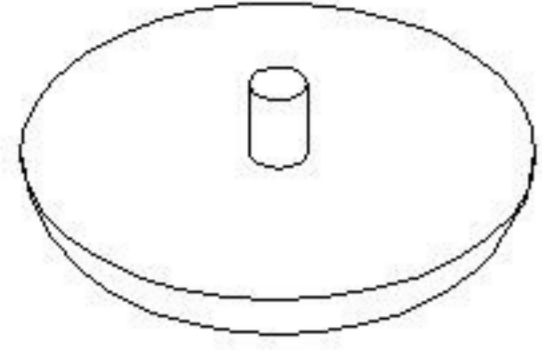
2pcs

T Cam Bolt
5*25mm

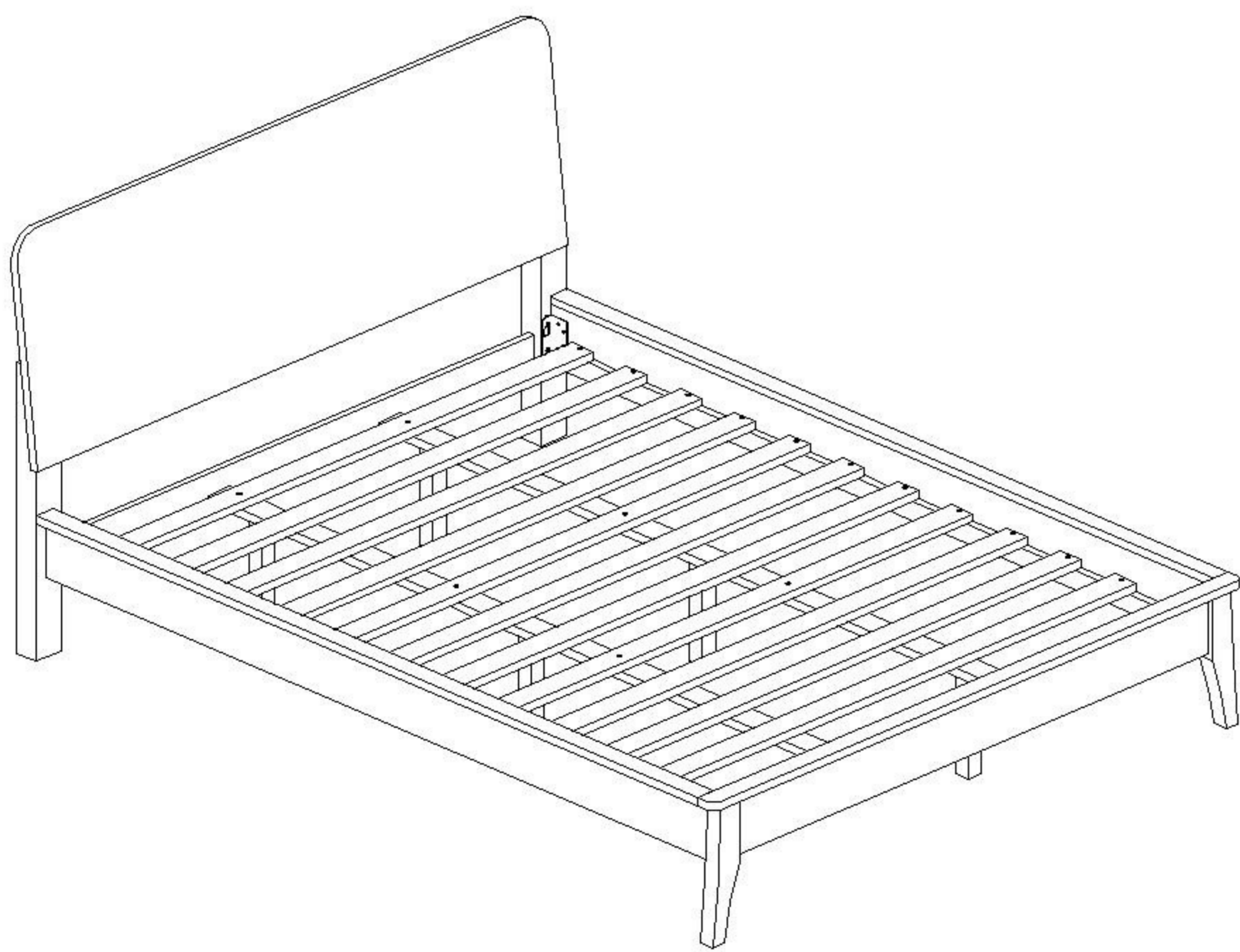


2pcs

U Cam Lock Cover
17*5mm

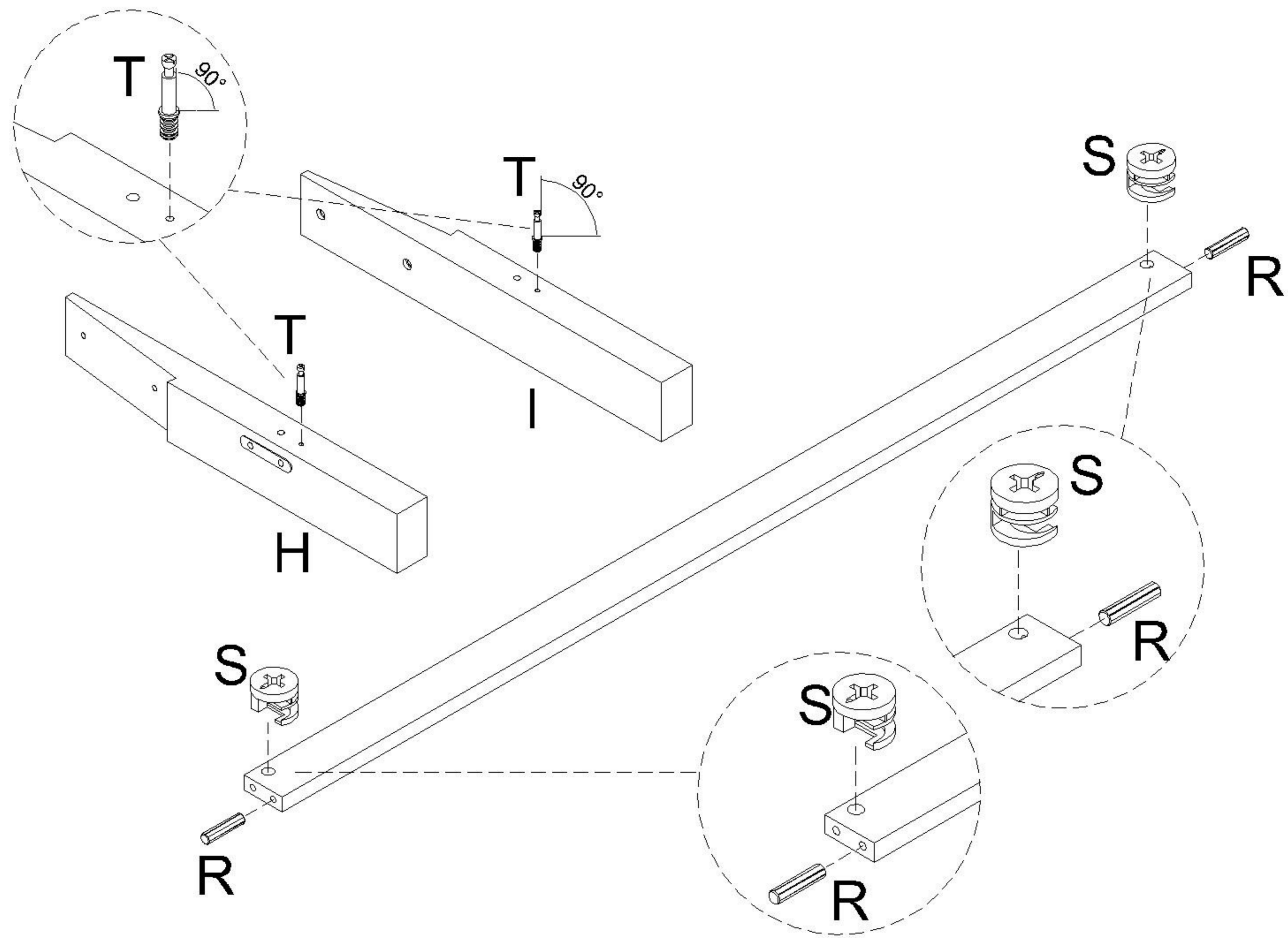


2pcs

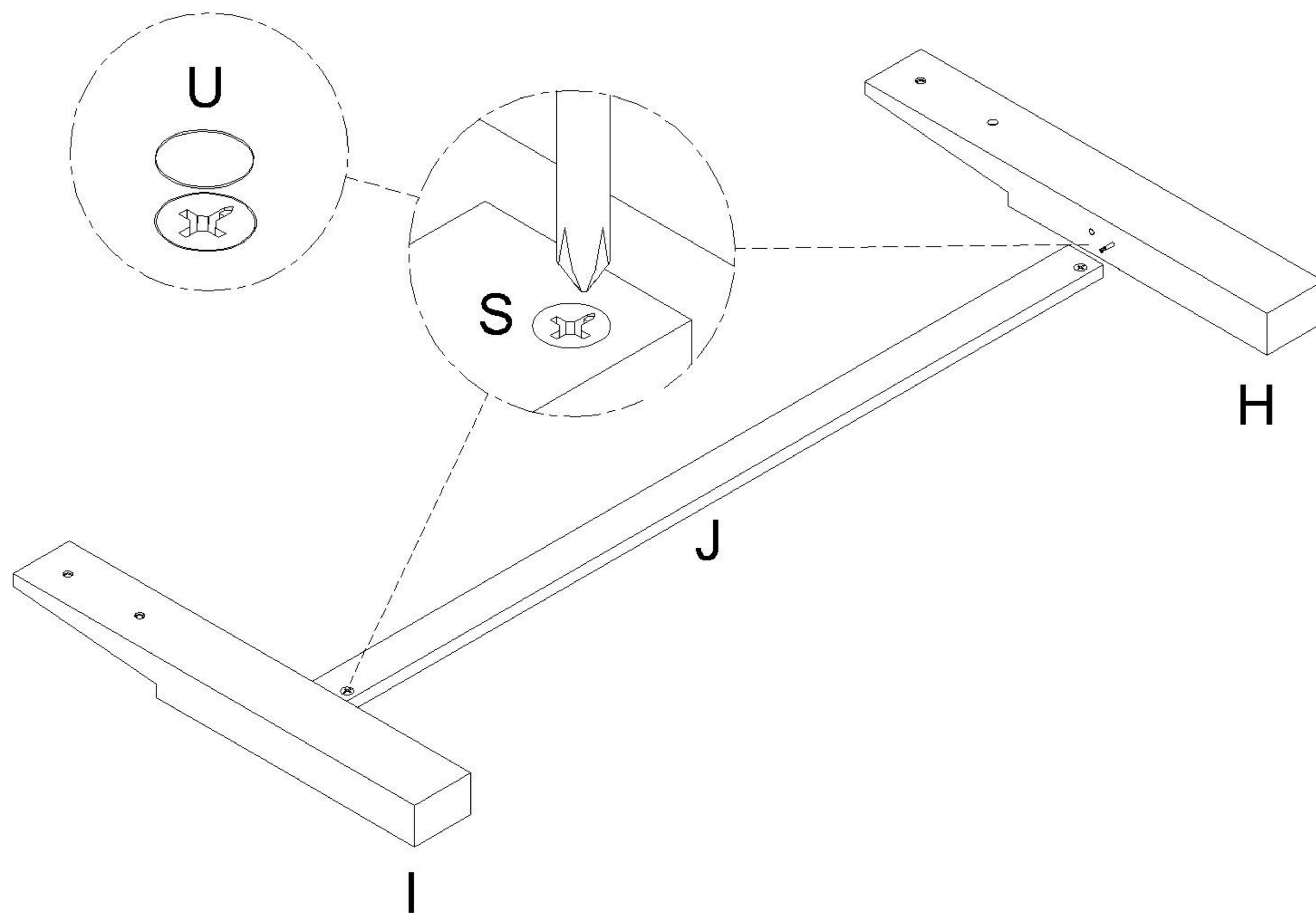


This pages lists all the contents included in the box. Please take the time to identify the hardware as well as the individual components to this product. As you unpack and prepare for assembly, place the contents on a carpeted or padded area to protect them from damage.

1 Insert Cam Bolt (T) to Left & Right Headboard Post (H & I). Insert Cam Lock (S) & Dowel (R) to Headboard Bar (J).

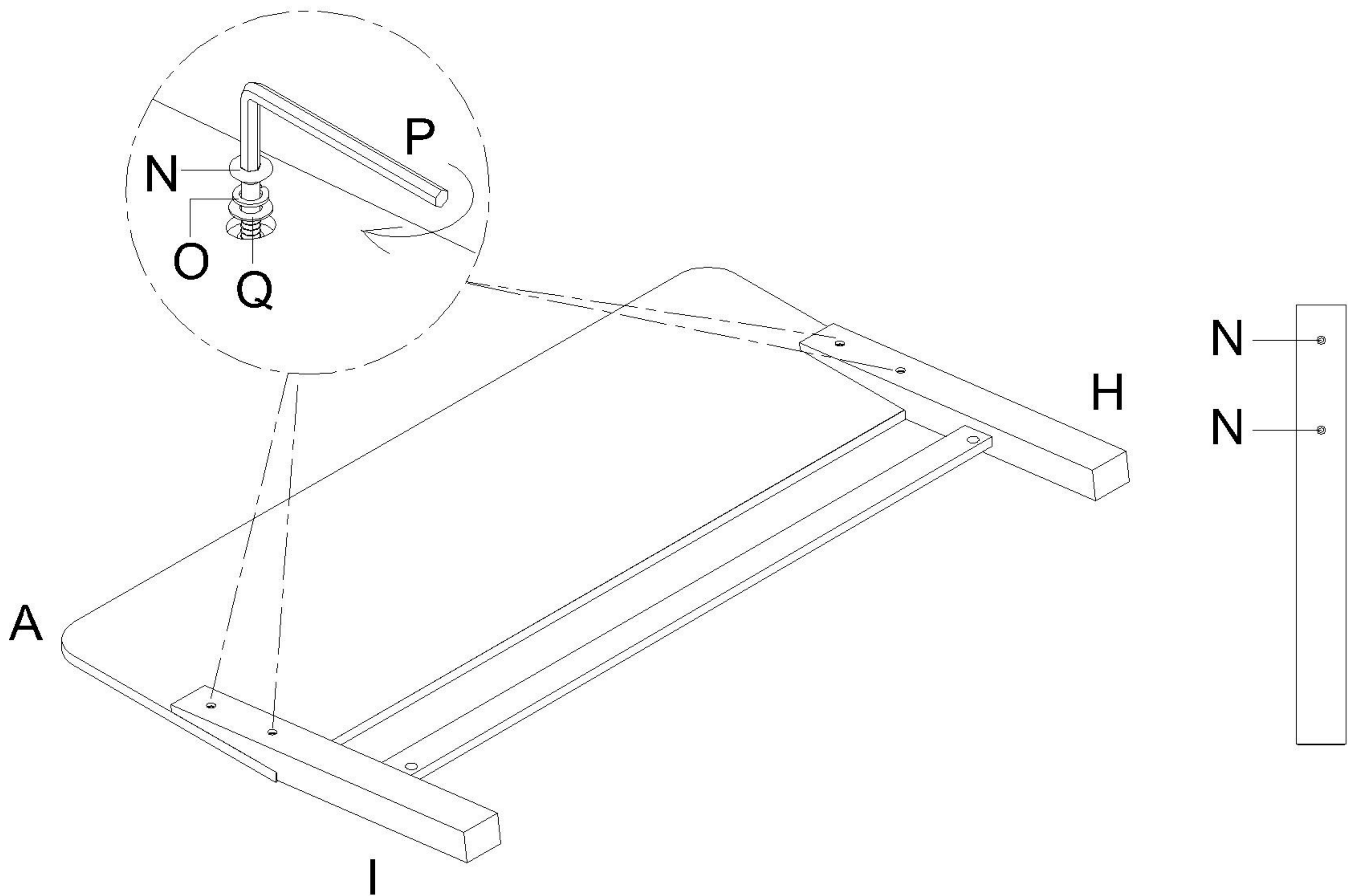


2 Attach Left & Right Headboard Post (H & I) to Headboard Bar (J) and secure with Cam Lock (S). Cover Cam Lock (S) with Cam Lock Cover (U).

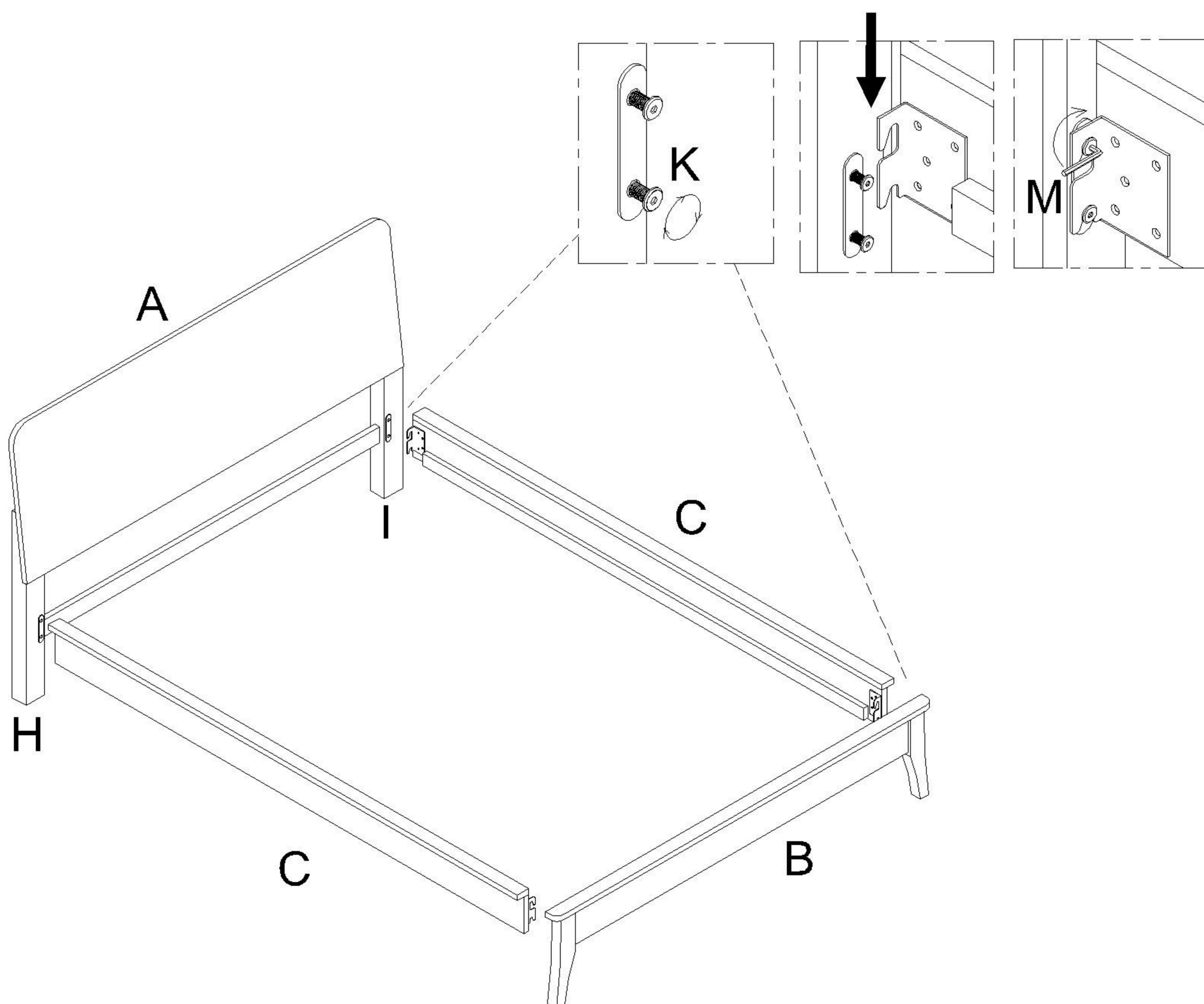


3

Attach Left & Right Headboard Post (H & I) to Headboard (A) and secure with Spring Washer (O), Flat Washer (Q) and JCBC Bolt (N) and tighten with Allen Key (P) clockwise.

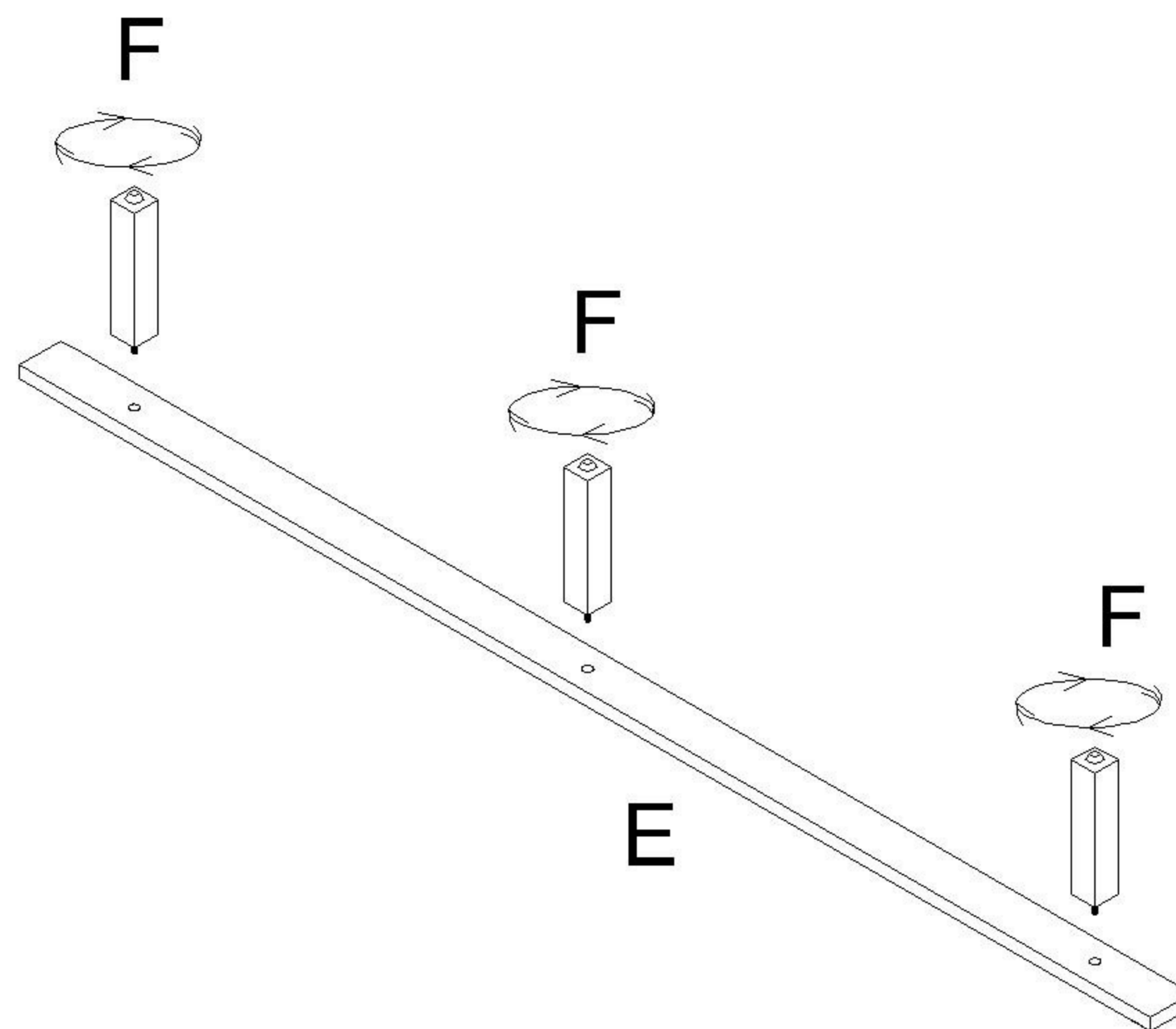
**4**

Attach JCBB Bolt (K) loosely to brackets in Left & Right Headboard Post (H & I) & Footboard (B). Attach Side Rail (C) to Left & Right Headboard Post (H & I) & Footboard (B) & fully tighten JCBB Bolt (K) with Allen Key (M).

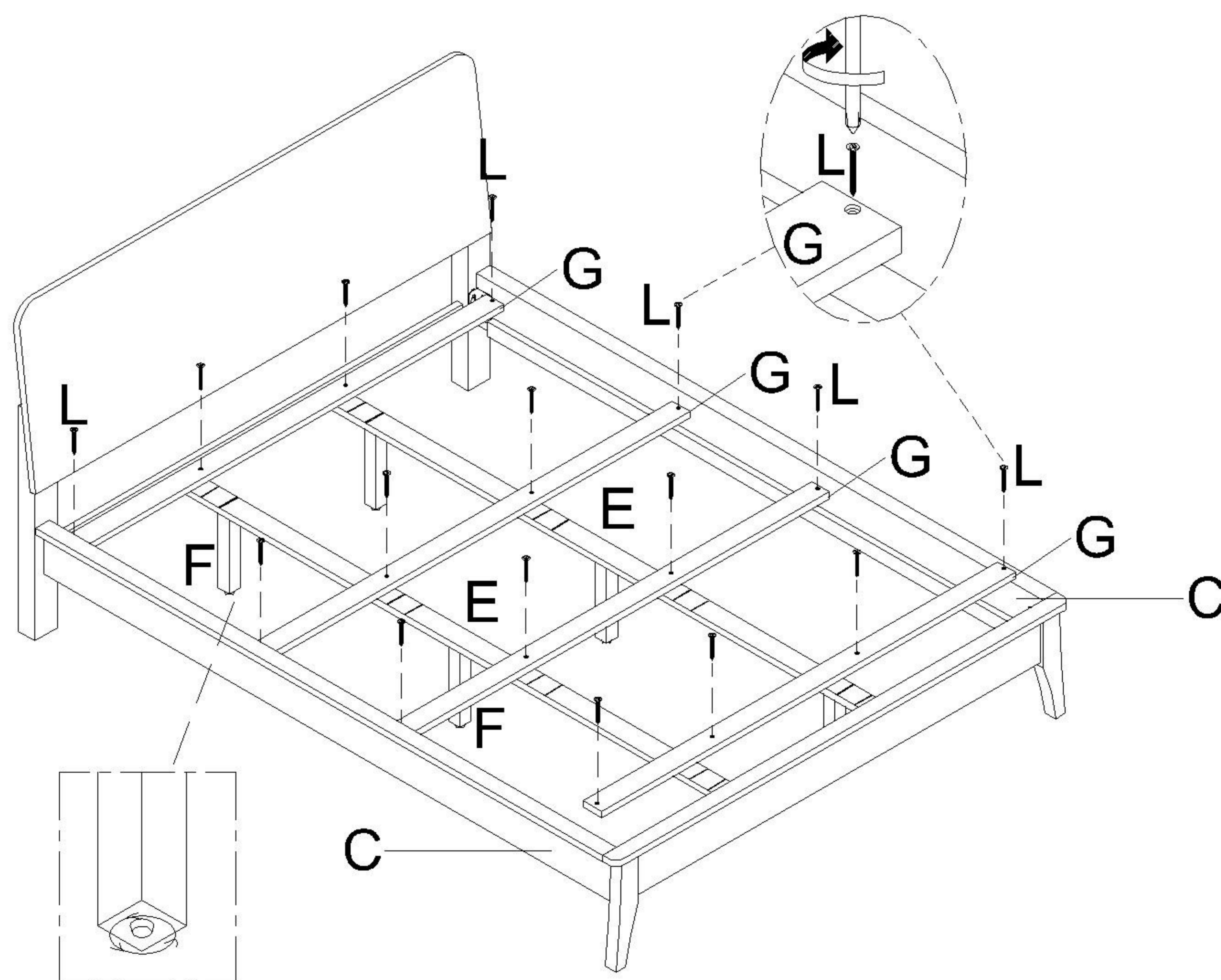


5

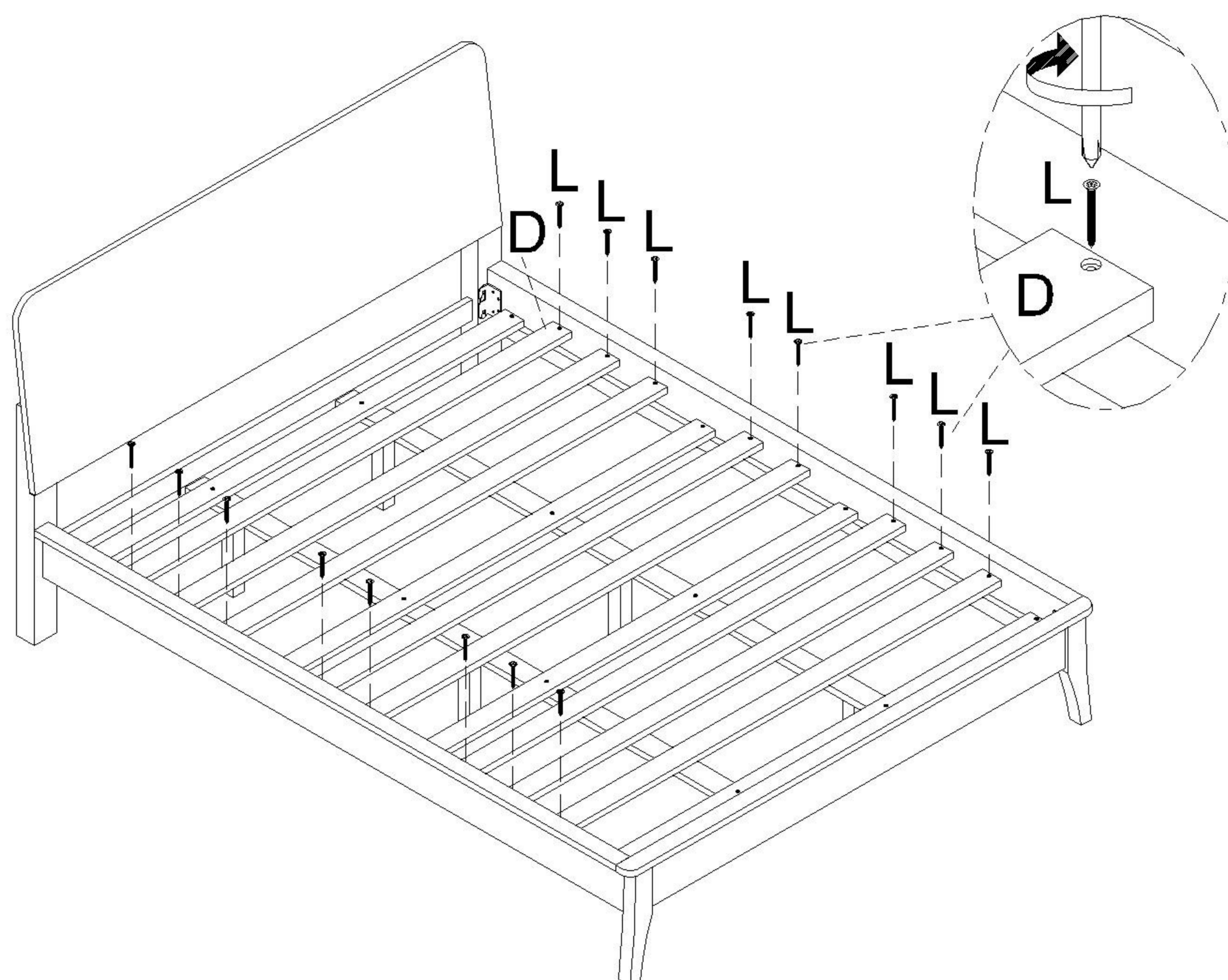
Screw in Support Stand (F) to Center Bar (E).

**6**

Place both Center Bar (E) & Support Stand (F). Attach Bed Slat (G) to Side Rail (C) using Screw (L) to secure. Adjust levelers as needed.



7 Attach Bed Slat (D) to Side Rail (C) using Screw (L) to secure.



Cleaning & Care

Treat surface with care. Surface is resistant to scratches but is not scratch resistant. Clean surfaces with a dry or damp soft cloth. Do not use abrasive cleaners. Hardware may loosen over time. Periodically check that all connections are tight.