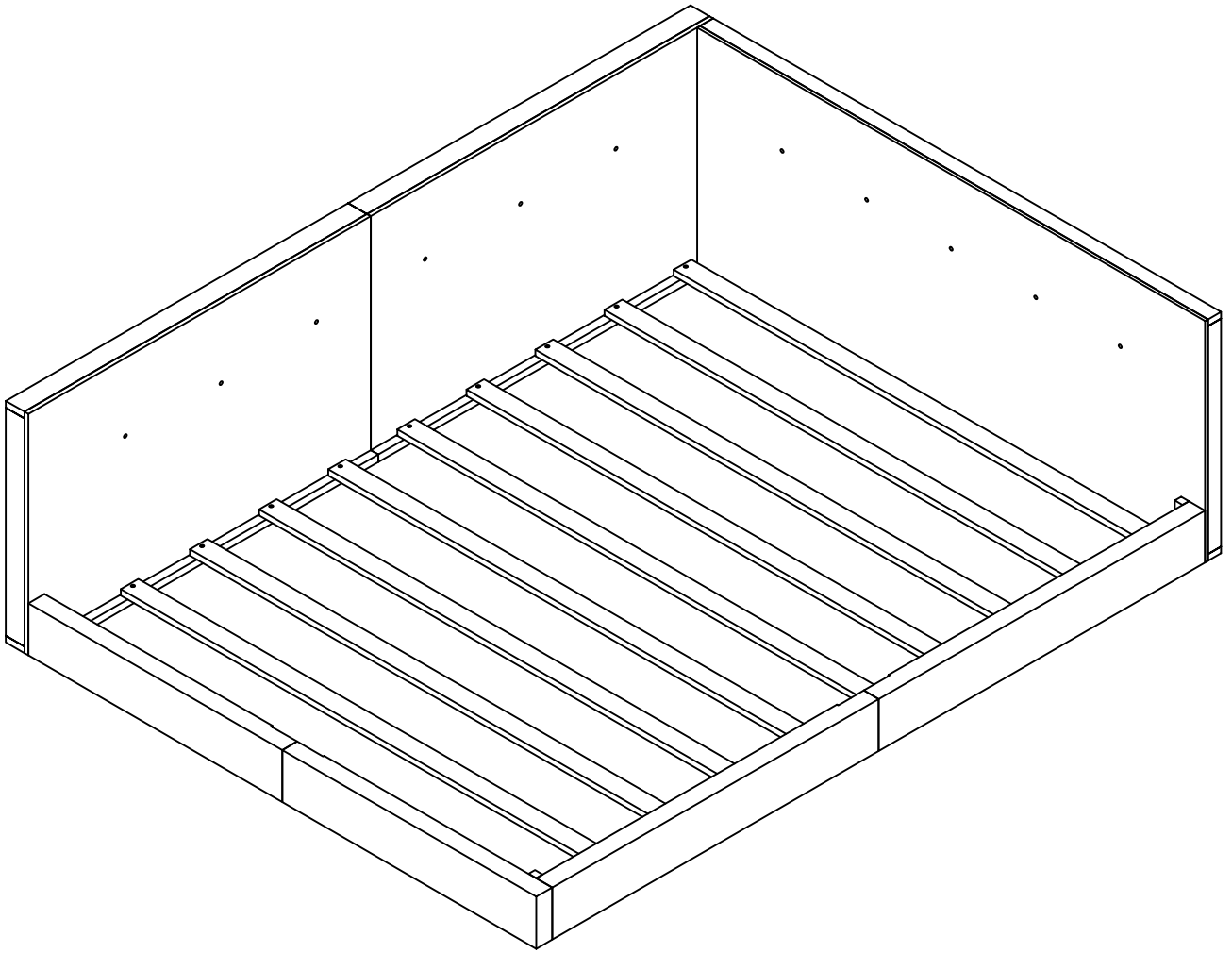
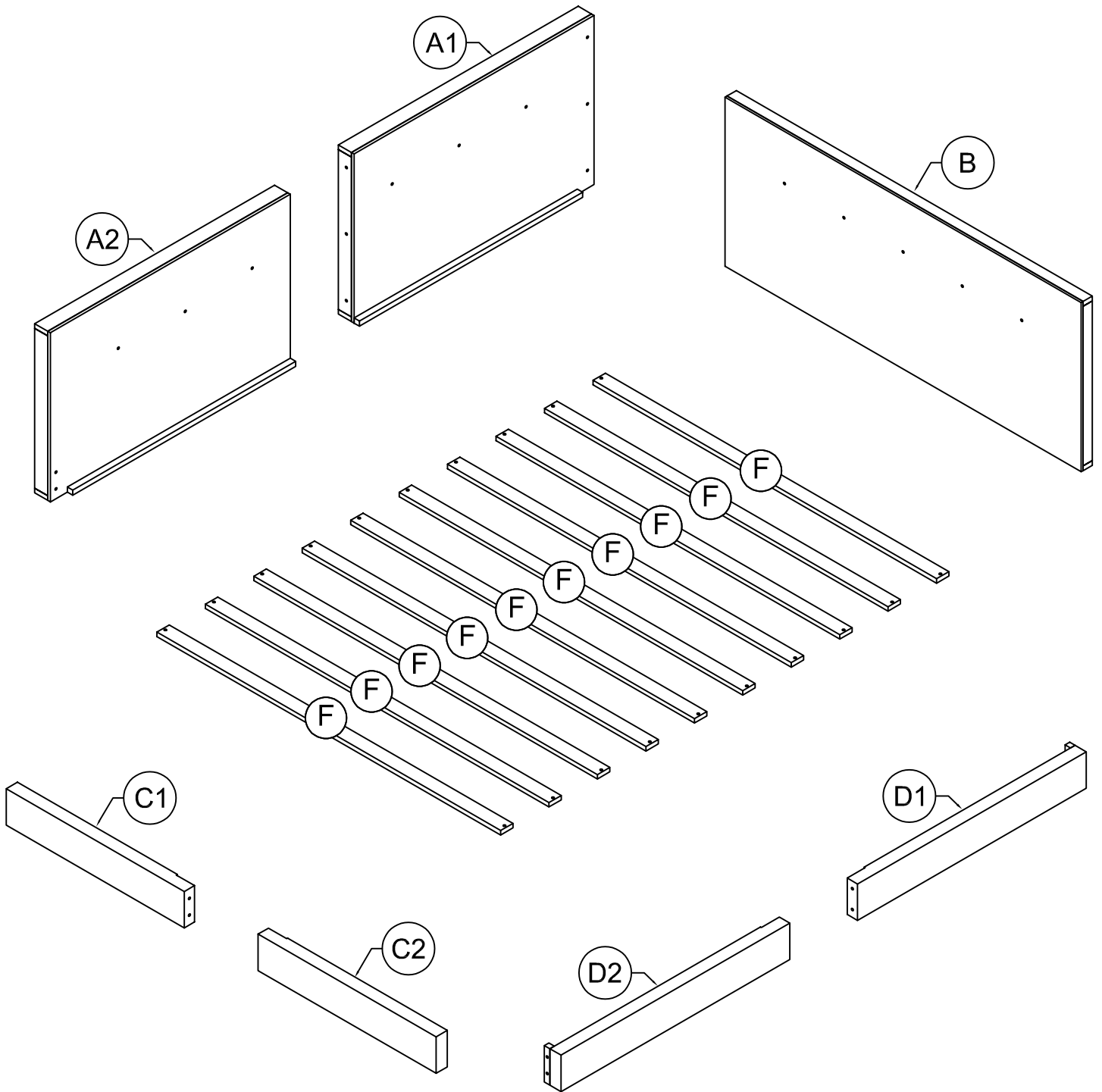


ASSEMBLY INSTRUCTION

SKU CODE: (WF311155/WF311156)

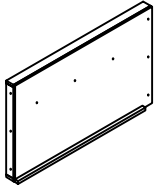


ASSEMBLY INSTRUCTION



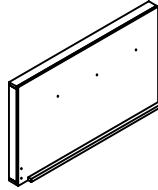
Part List (WF311155)

A1



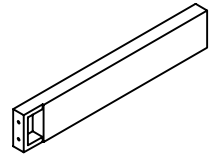
Leg - 1pc

A2



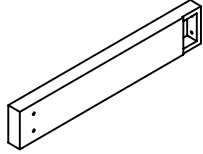
HB Frames - 1pc

C1



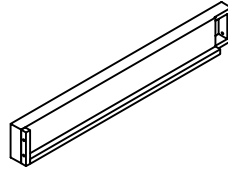
FB Frames - 1pcs

C2



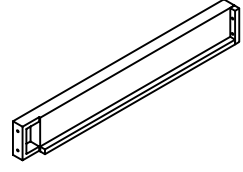
Leg - 1pc

D1



HB Frames - 1pc

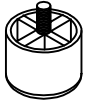
D2



FB Frames - 1pcs

Hardware List (WF311155)

1



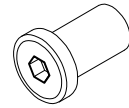
Plastic Feet(Ø50x40)
12pcs

2



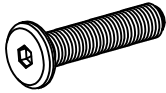
Allen Key 2pcs

3



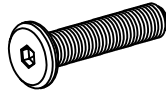
1/4" x 25mm
Sleeve Nut 10pcs

4



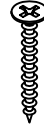
1/4" x 50mm
Hex-Head bolts 6pcs

5

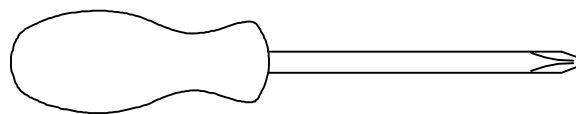


1/4" x 30mm
Hex-Head bolts 10pcs

6



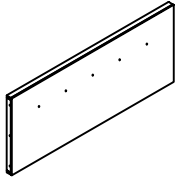
M4 x 30 mm
Wood Screws 20pcs



Assembly Tools Required (Not Included)

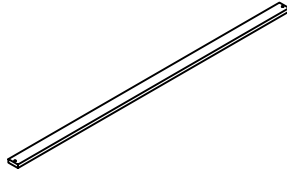
Part List (WF311156)

B



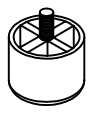
HB Frames - 1pc

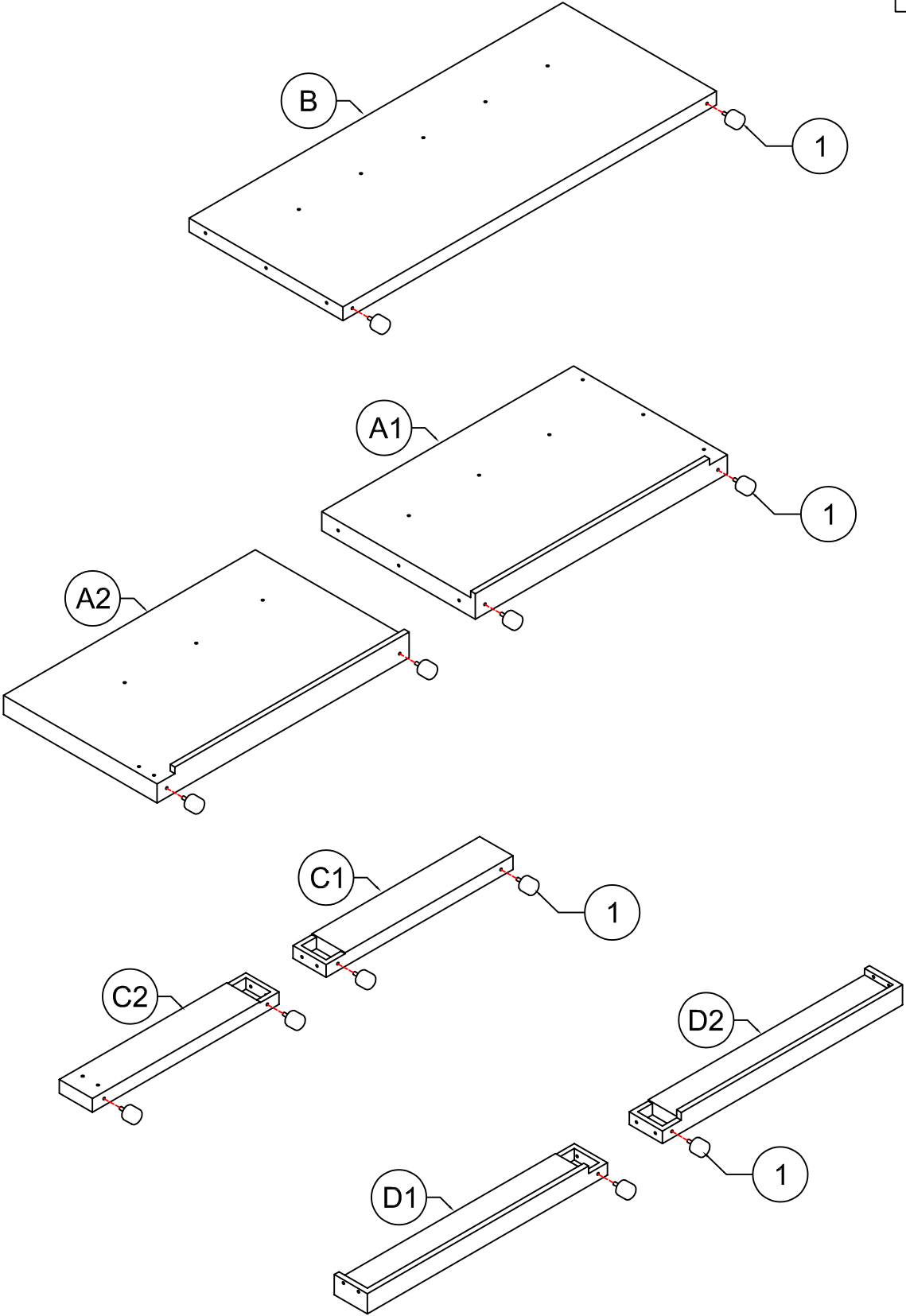
F



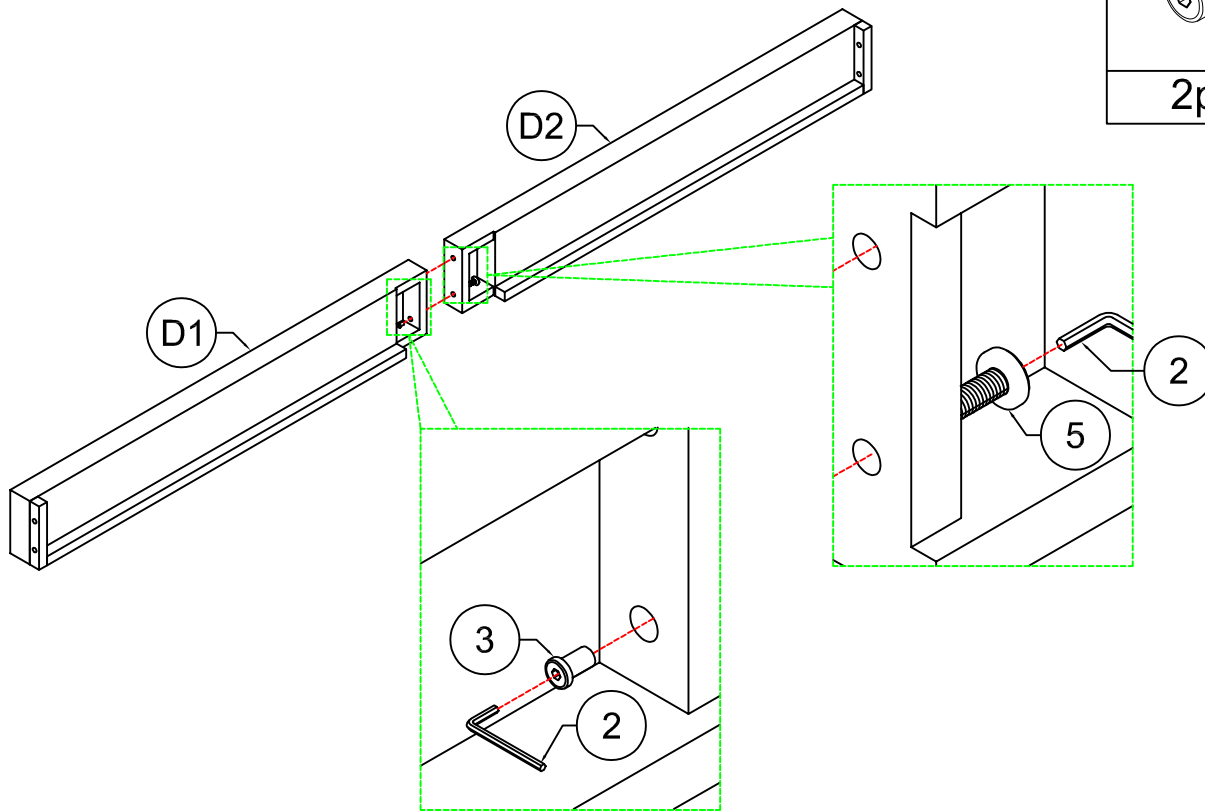
Slats - 10pcs

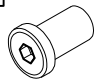
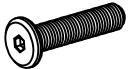
STEP 1: Following below illustration:

4	
12pcs	

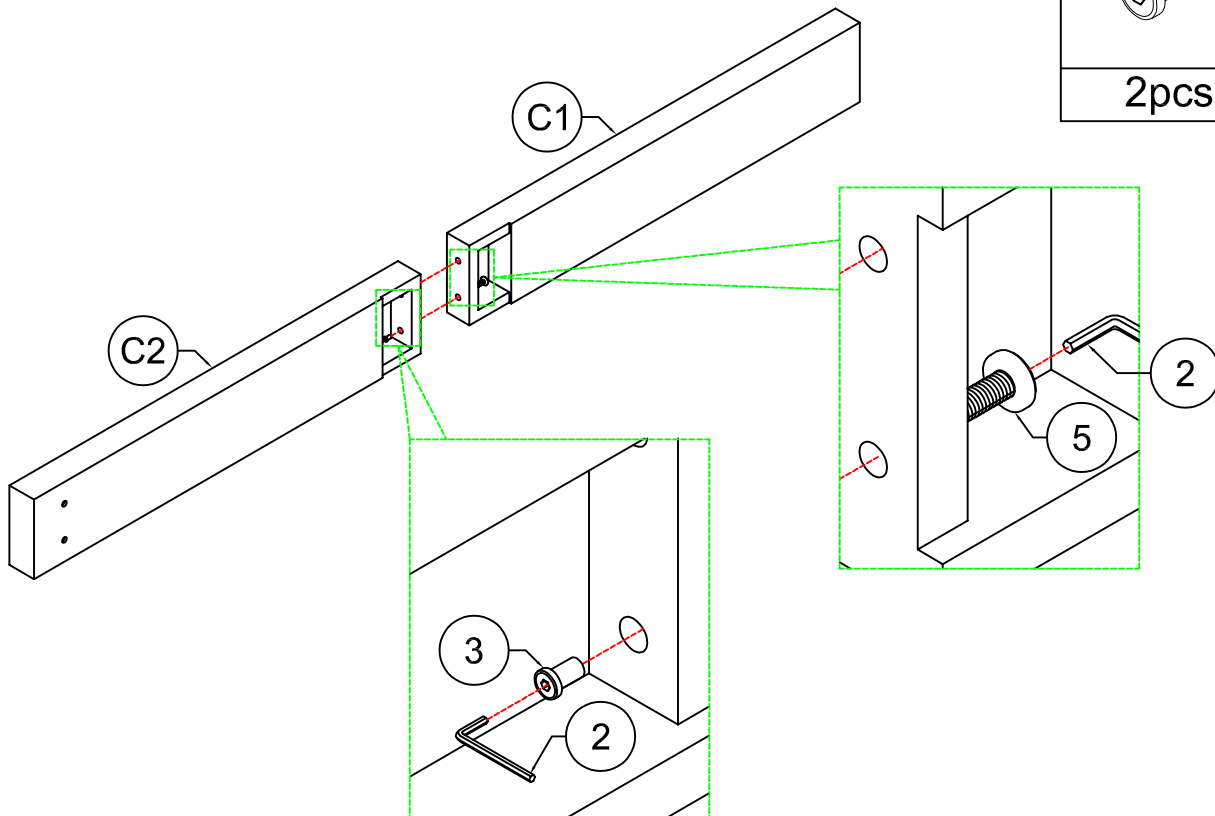


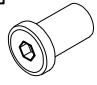

STEP 2-1: Following below illustration:



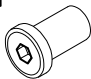
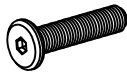
3	5
	
2pcs	2pcs

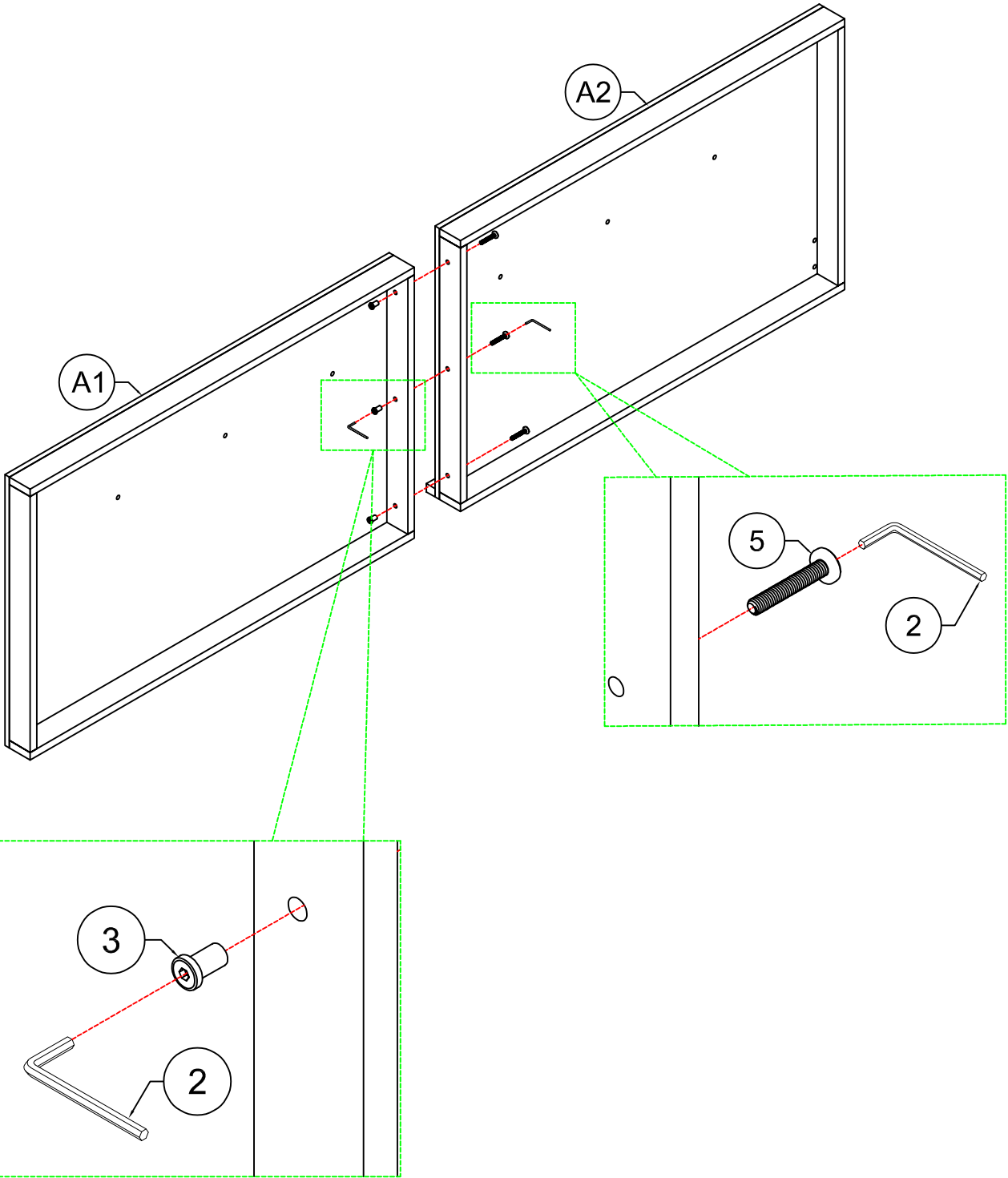
STEP 2-2: Following below illustration:



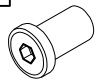


3	5
	
2pcs	2pcs

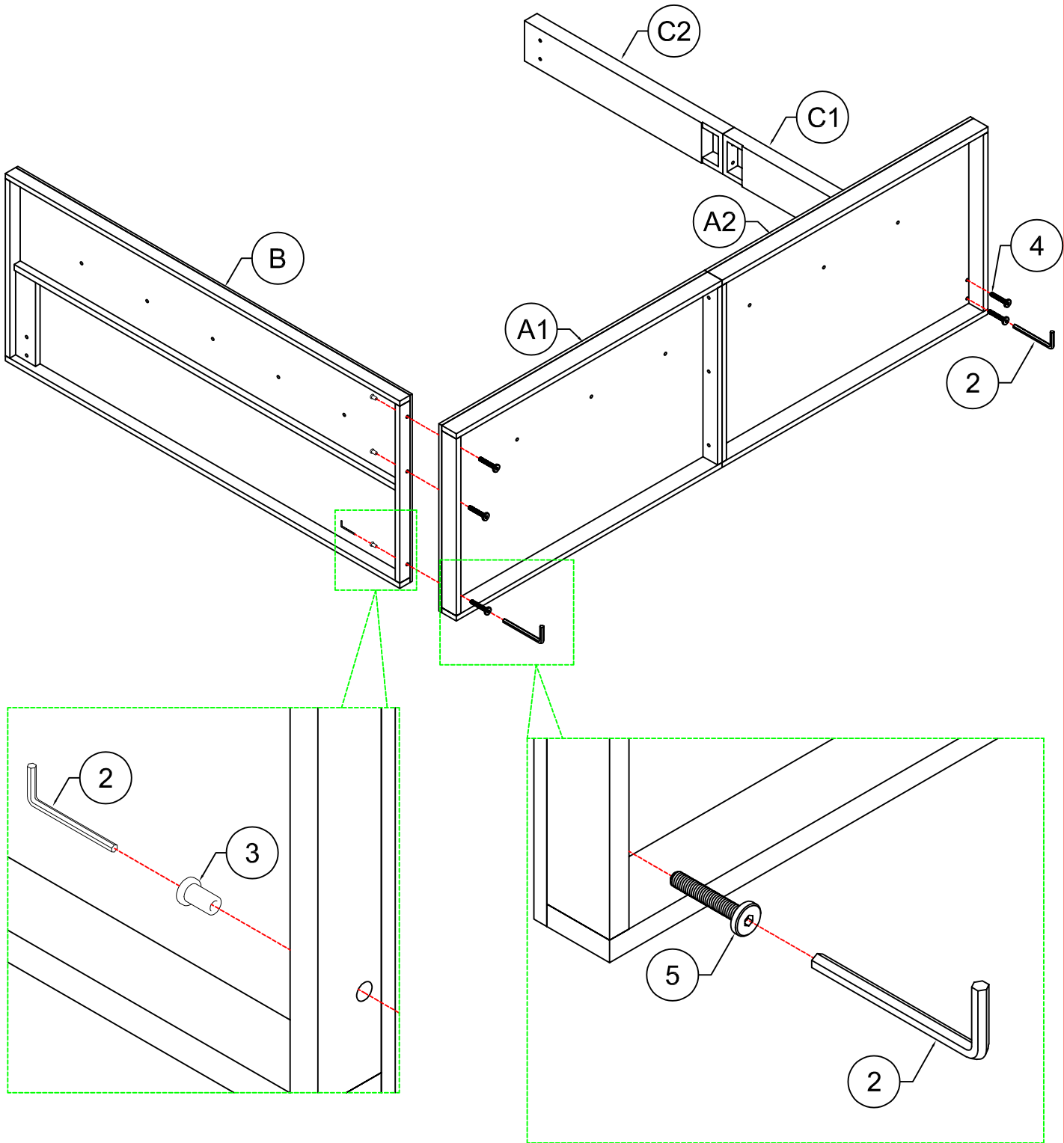
STEP 2-3: Following below illustration:

3	5
	
3pcs	3pcs




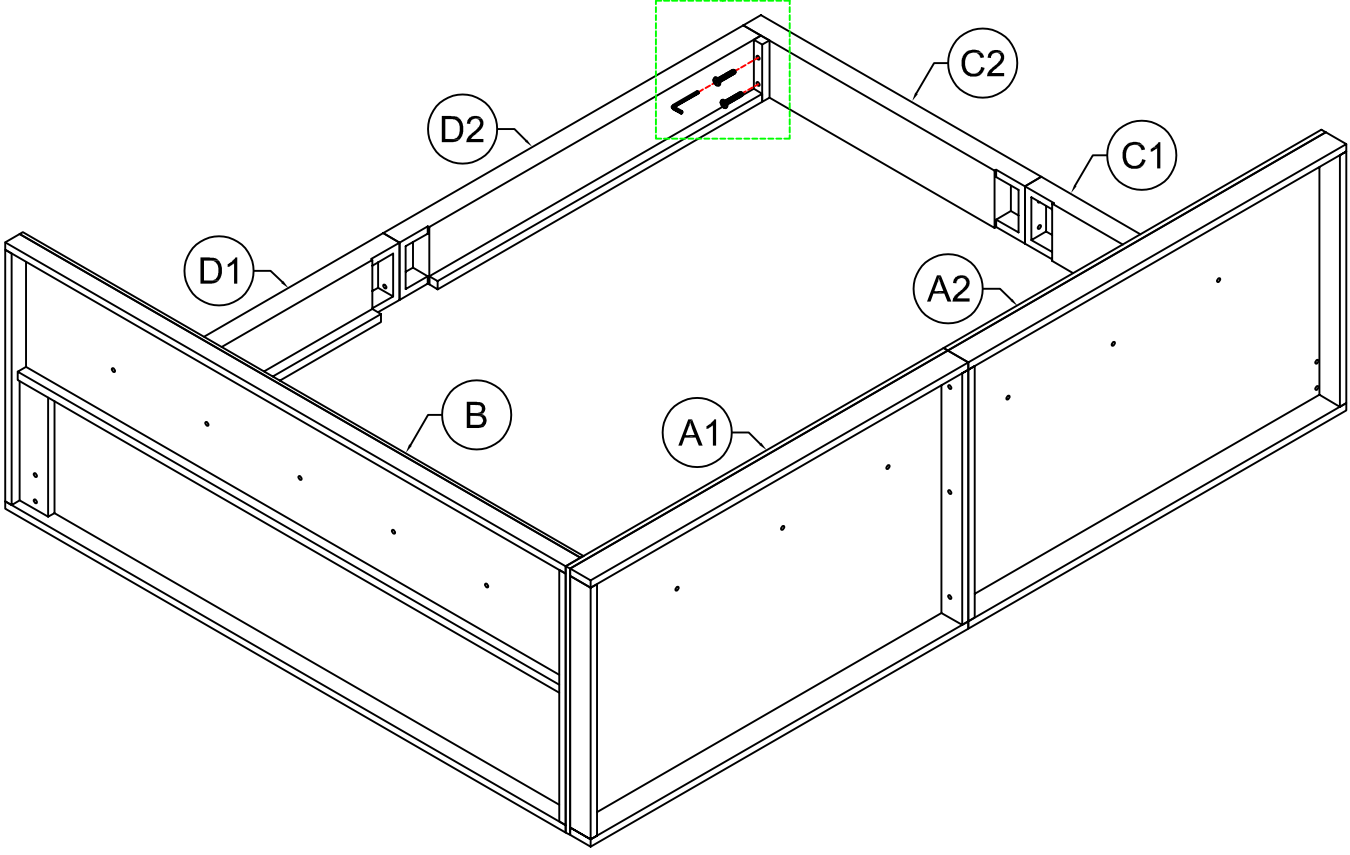
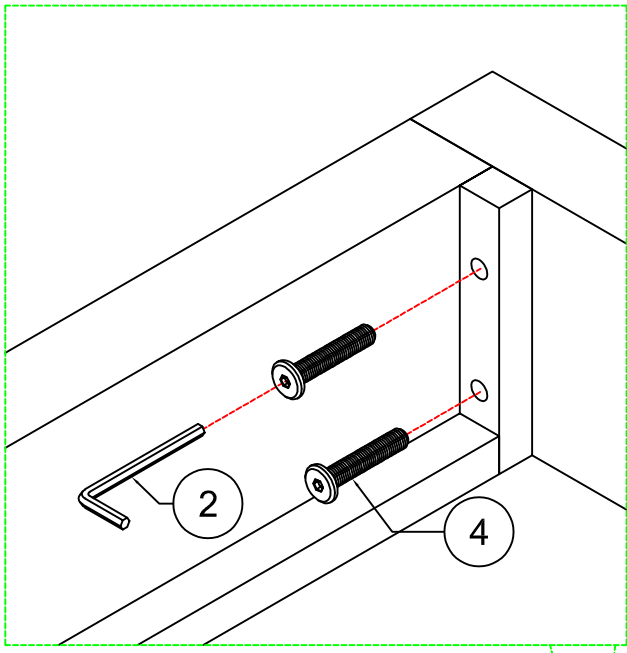
STEP 3: Following below illustration:

3	4	5
		
3pcs	3pcs	2pcs

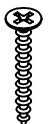


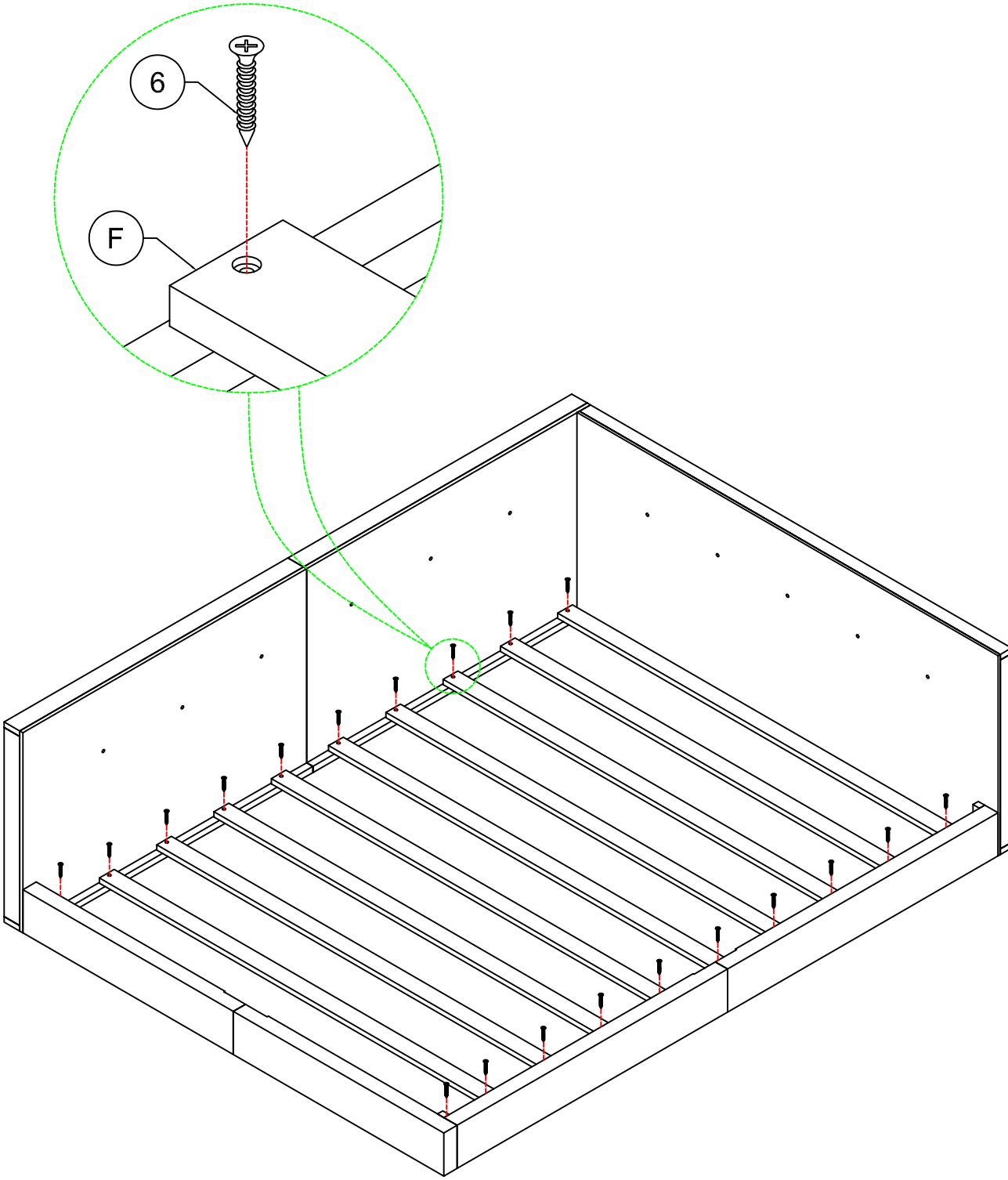
STEP 4: Following below illustration:

4

4pcs



STEP 5: Following below illustration:

6	
20pcs	



FINISH

