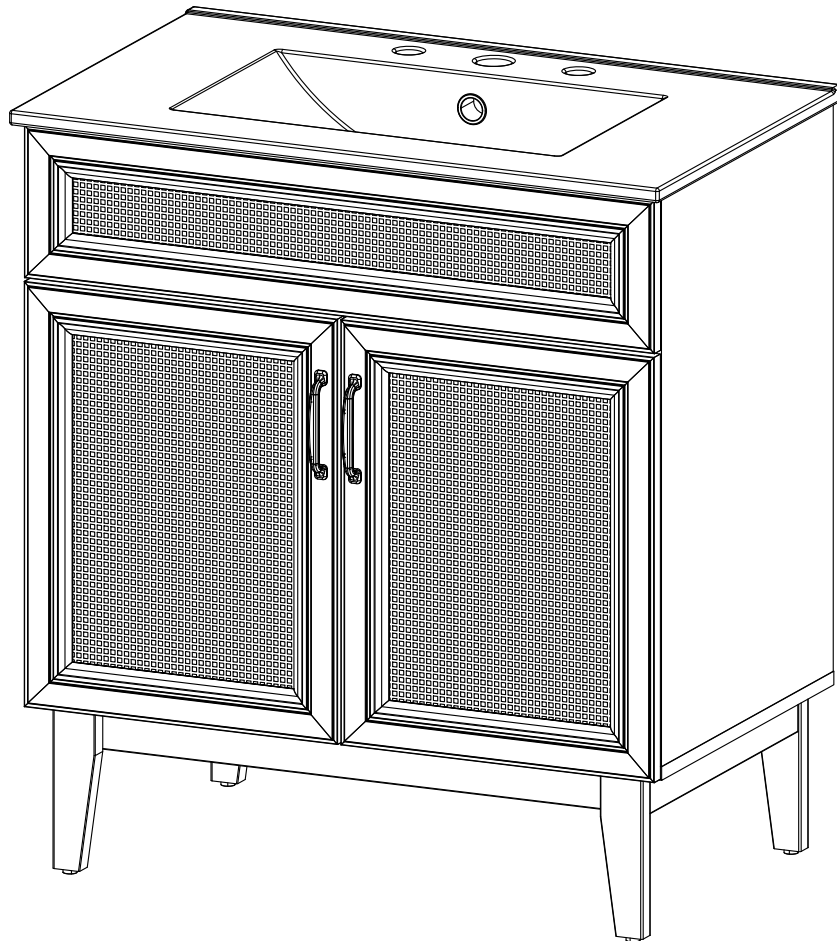


JONATHAN Y

Model# VAN1010

Product Dimensions: 29"Wx18"Dx33"H



WARNING :

WEIGHT CAPACITY: 42 LBS

SHELF LOAD CAPACITY: 24 LBS

Warning : Do not stand on Vanity.

Warning : Do not over torque bolts.



WARNING

Inspect item carefully before attempting to install if there is any damage or obvious defect, do not install item may not be returned once it has been installed.

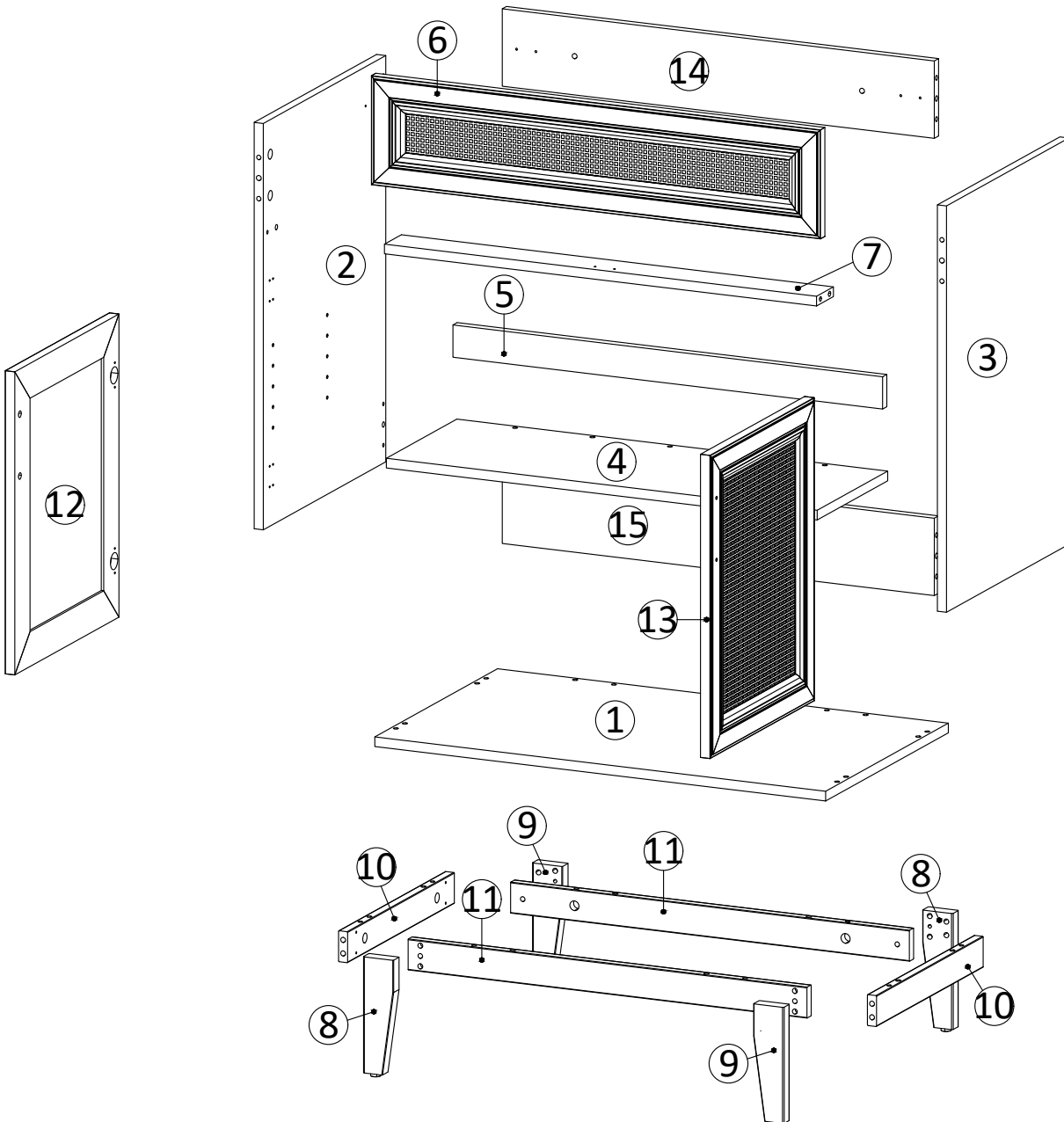
CARE AND MAINTENANCE

Always use felt pads under all articles to prevent discoloration or softening of the lacquer. Plastic and rubber bases on items can discolor wood. Wipe up spills immediately and avoid common hazards such as hot dishes, harsh solvents and abrasives. Cleaning should be done with a soft lint free cotton cloth dampened with water or furniture polish. On highly used surfaces we recommend applying a quality paste wax which should be used on a regular basis to provide additional protection from scratches and spills. How often you apply the wax depends on how much wear the furniture receives.

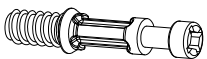


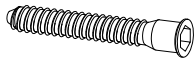
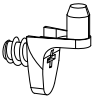


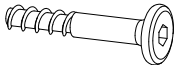
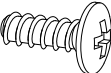
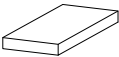

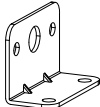
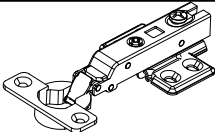
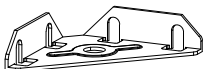
NOTICE & IMPORTANT SAFETY INSTRUCTIONS

Please make sure that you have all parts indicated before you begin assembly of this item

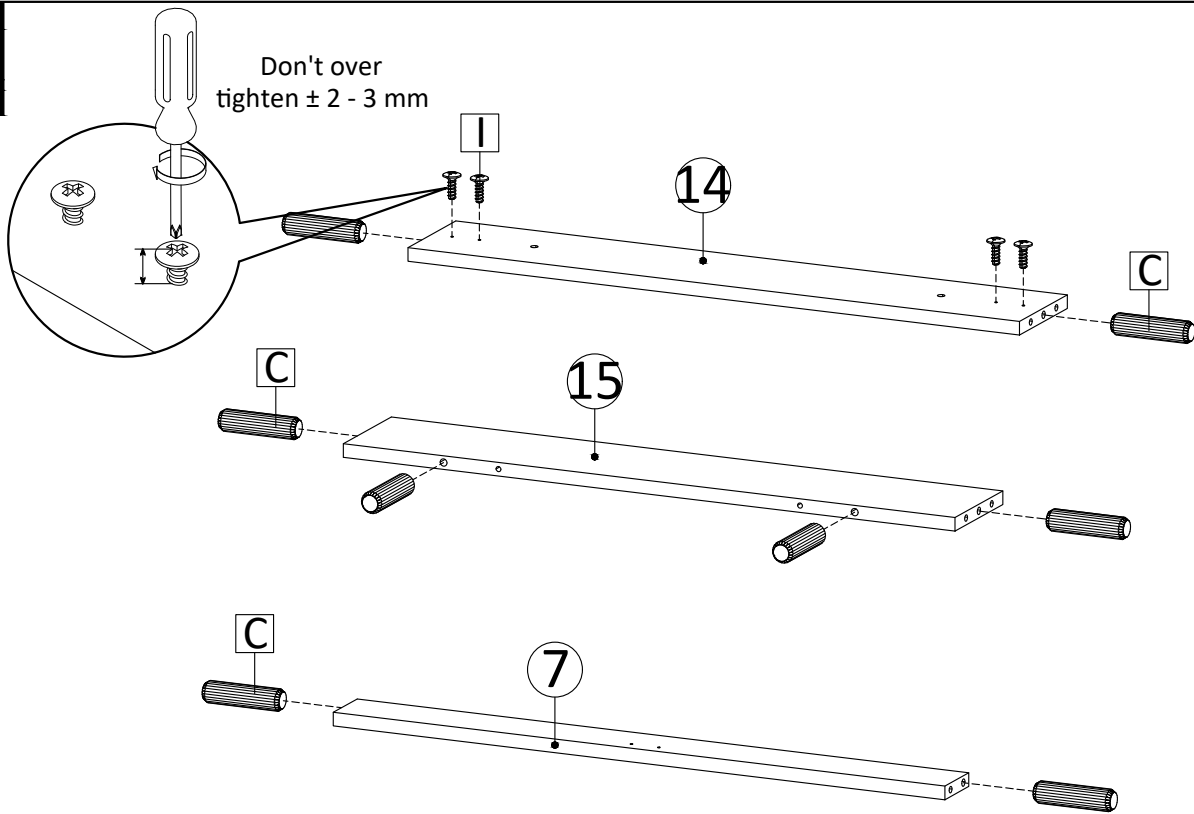
- * This item should be assembled on a soft surface to prevent scratching the finish during assembly.
- * This item may require periodic tightening.
- * If there are any questions relating to defects, missing parts, assembly issues, replacements, etc, please send a detailed email to cs@jonathany.com

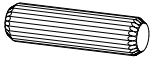
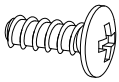


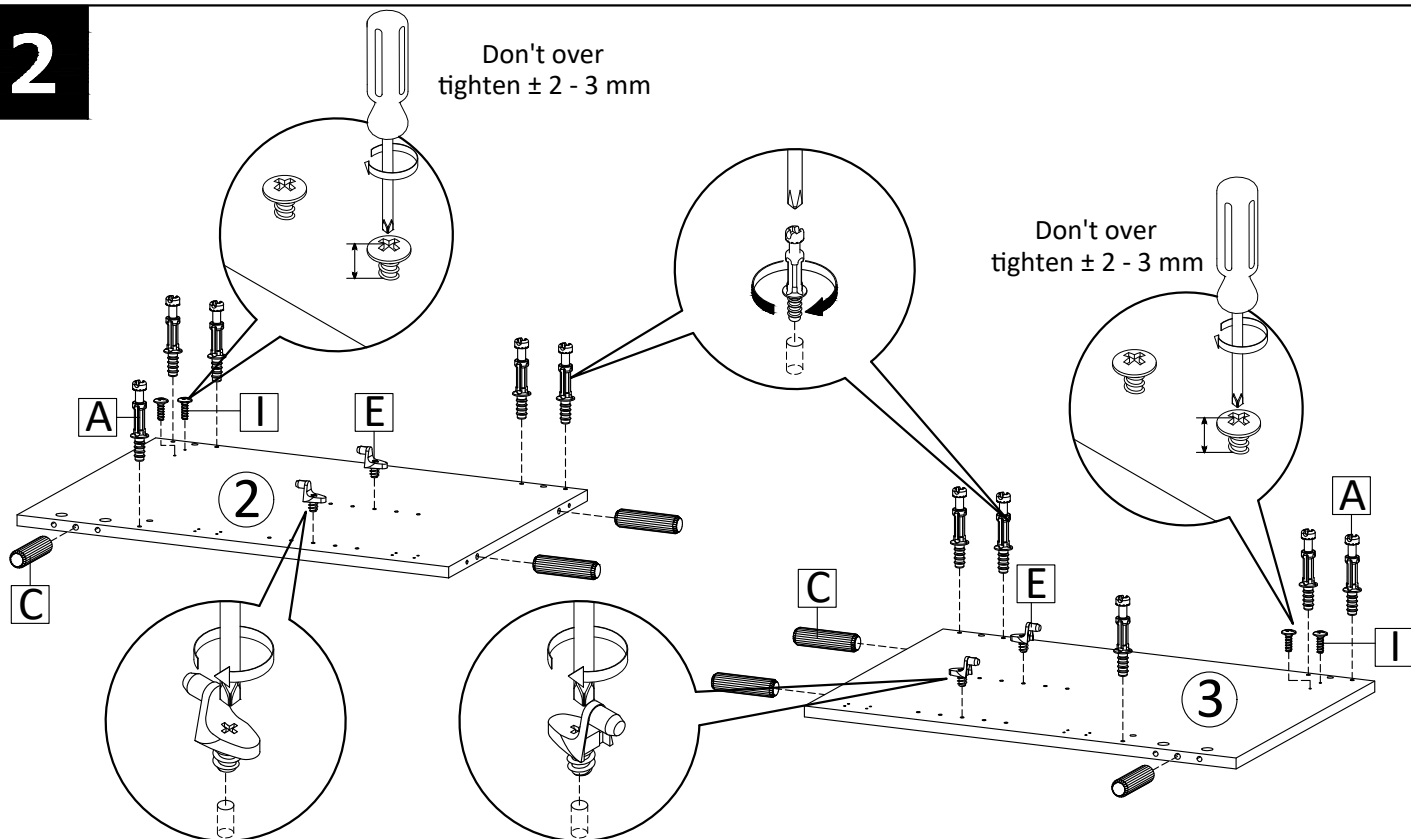
Hardware

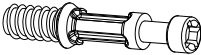

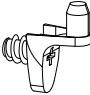
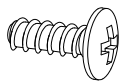
<p>A x 22</p> 	<p>B x 22</p> 	<p>C x 40</p> 	<p>D x 9</p> 
<p>E x 4</p> 	<p>F x 2</p> 	<p>G x 4</p> 	<p>H x 4</p> 
<p>I x 44</p> 	<p>J x 8</p> 	<p>K x 2</p> 	<p>L x 5</p> 
<p>HS26A x 4</p> 	<p>BC67 x 2</p> 		

 <p>SET-UP TIME : 60 MINUTES</p>	 <p>NUMBER OF PERSONS : 02</p>	 <p>TOOLS :</p> 
--	---	--

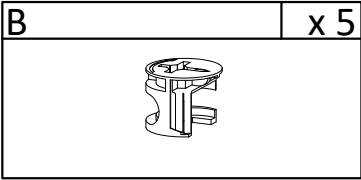
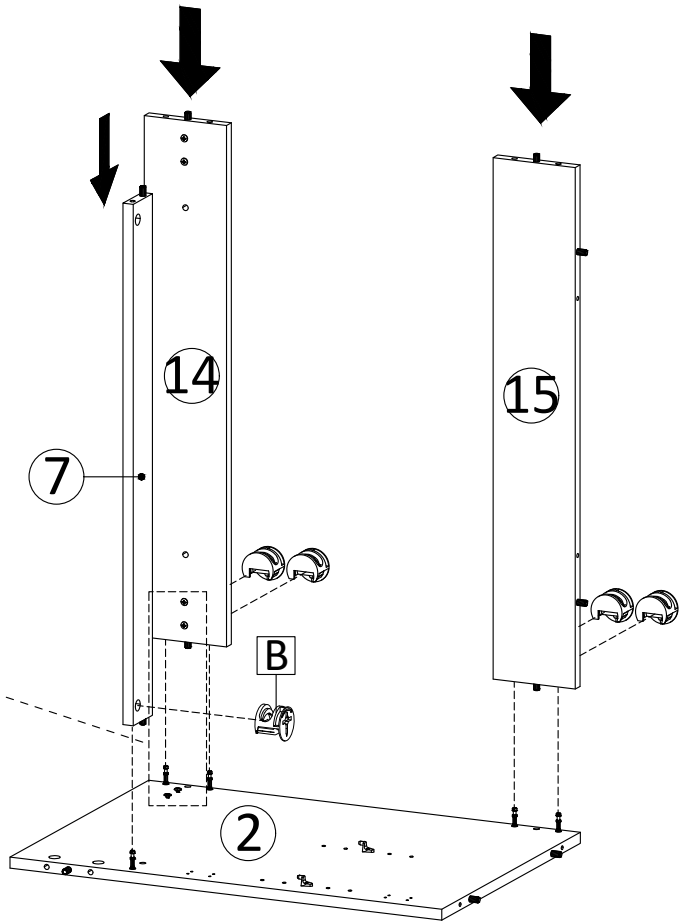
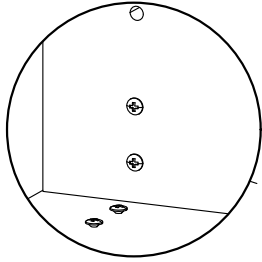
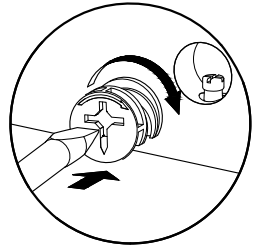
1Don't over tighten $\pm 2 - 3$ mm

C	x 8	I	x 4
			

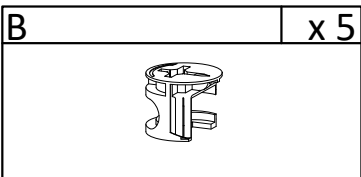
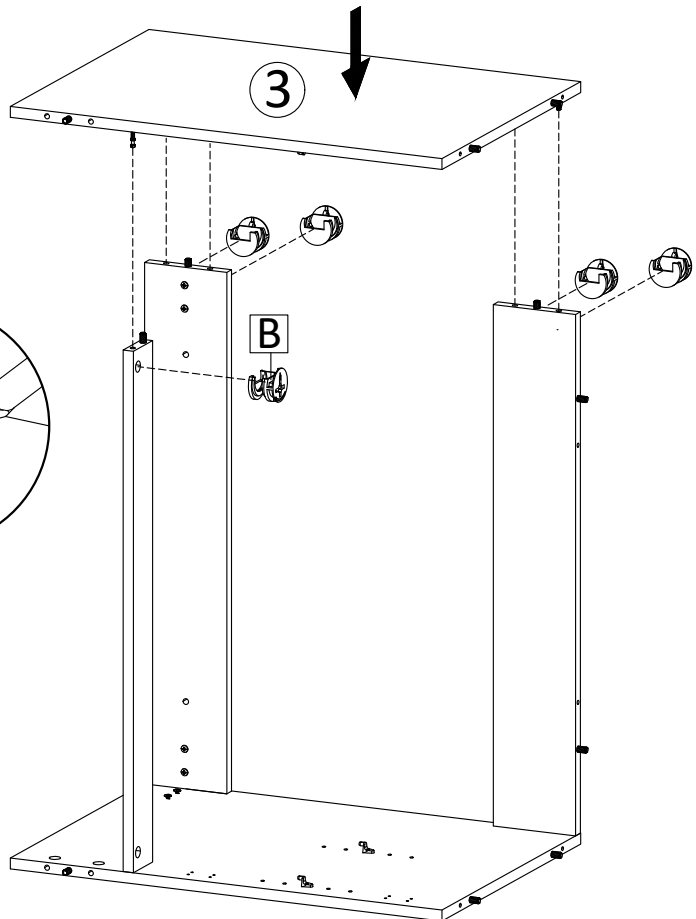
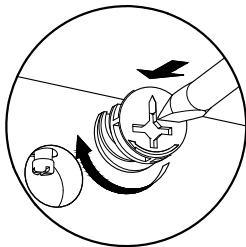
2Don't over tighten $\pm 2 - 3$ mm

A	x 10	C	x 6	E	x 4	I	x 4
							

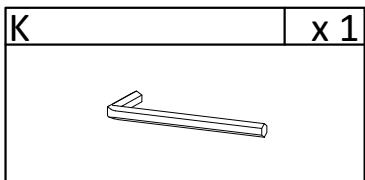
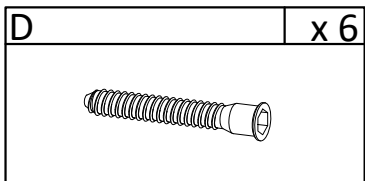
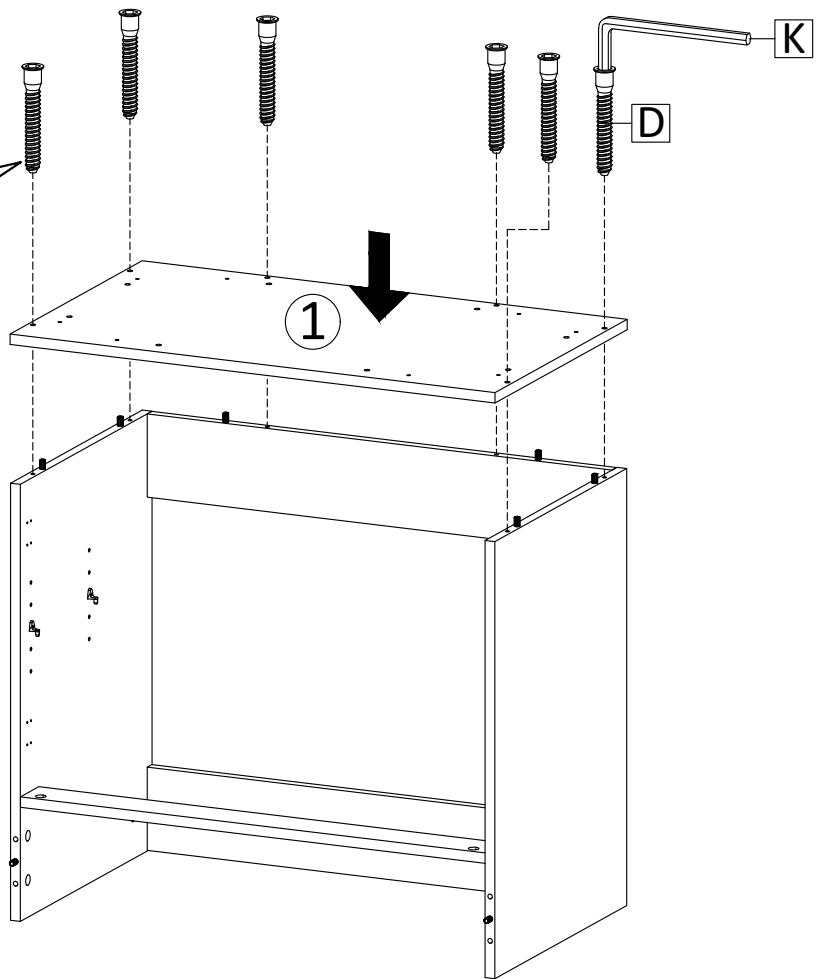
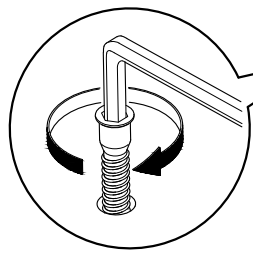
3



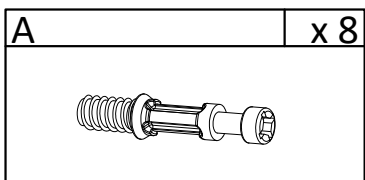
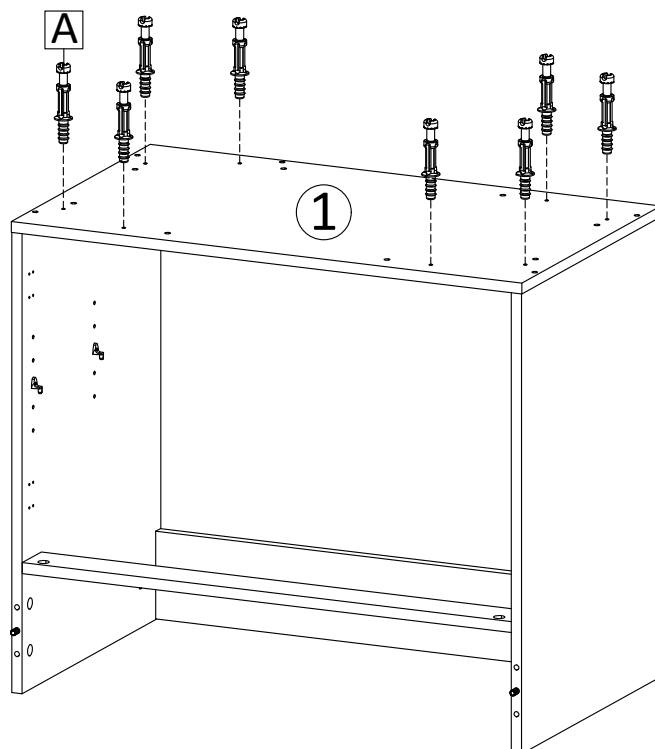
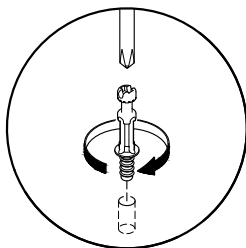
4



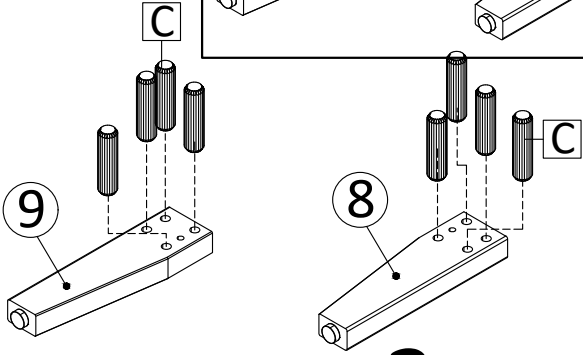
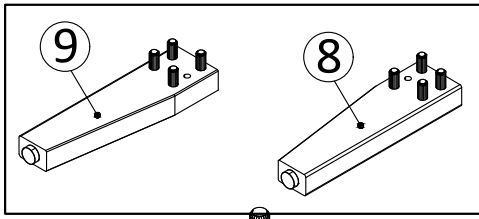
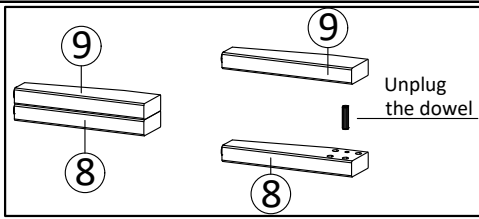
5



6

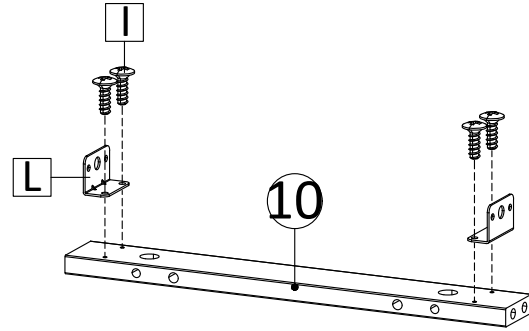


7

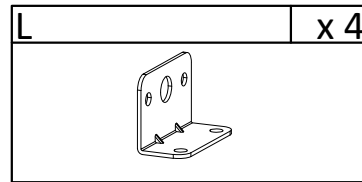
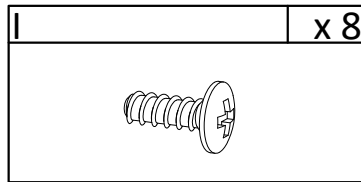
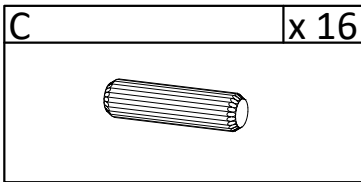


x 2

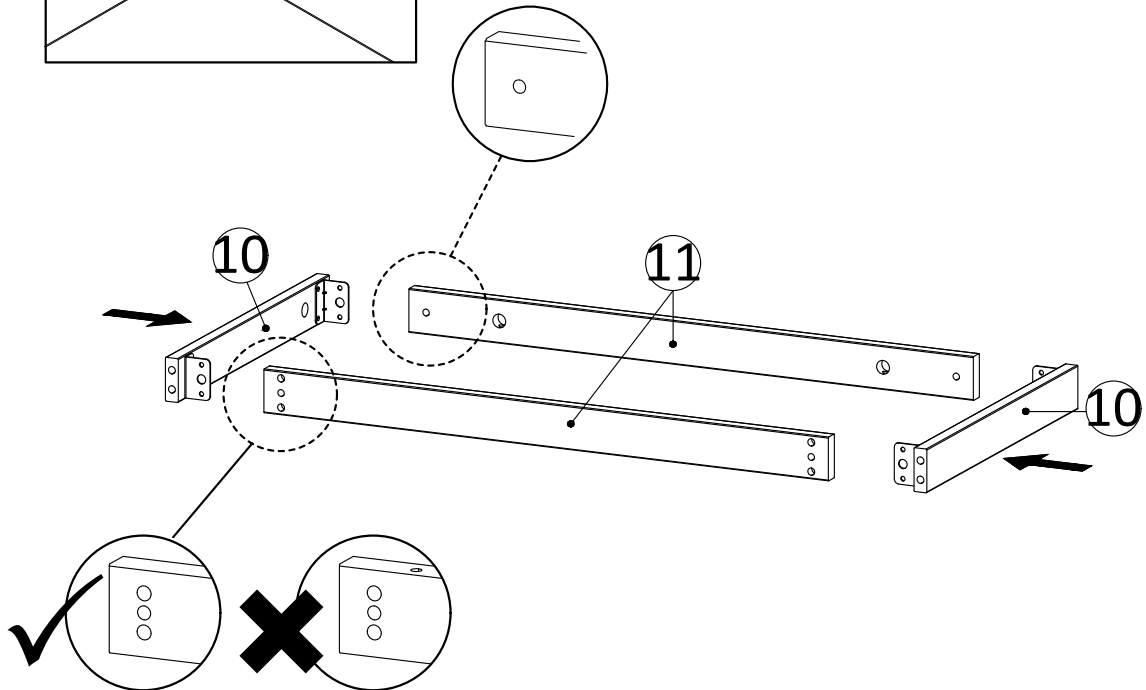
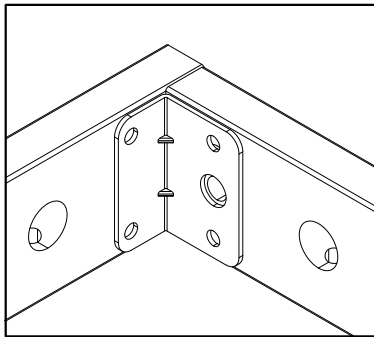
x 2



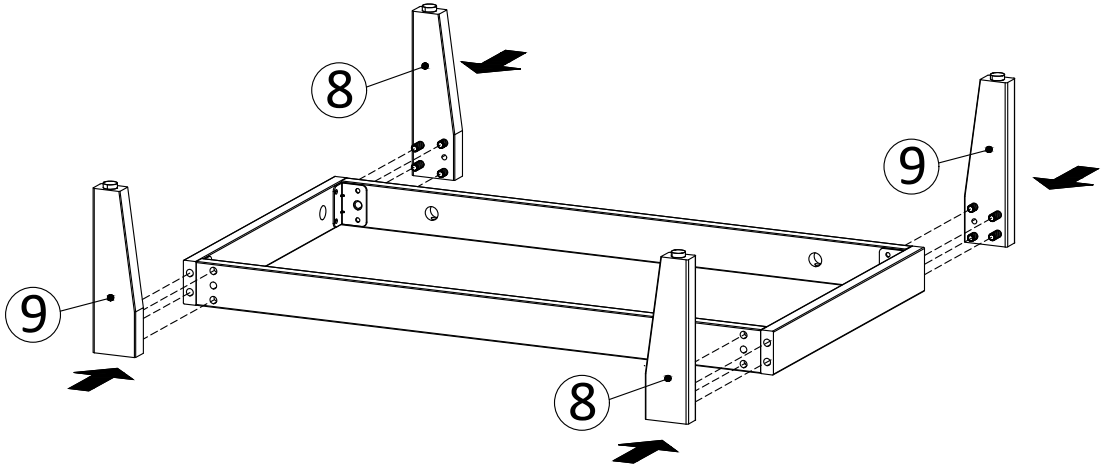
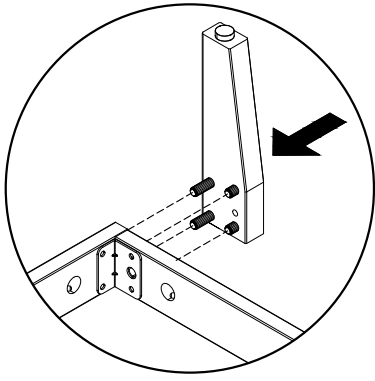
x 2



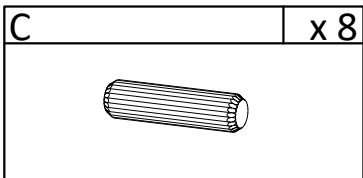
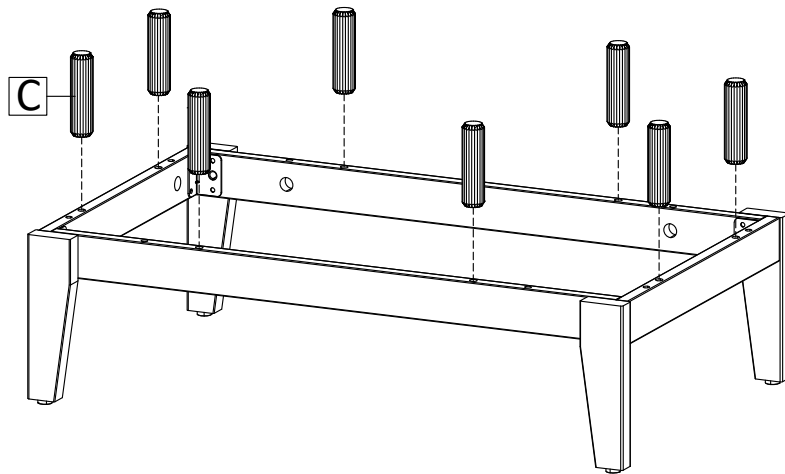
8



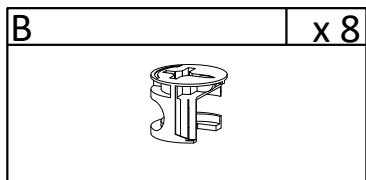
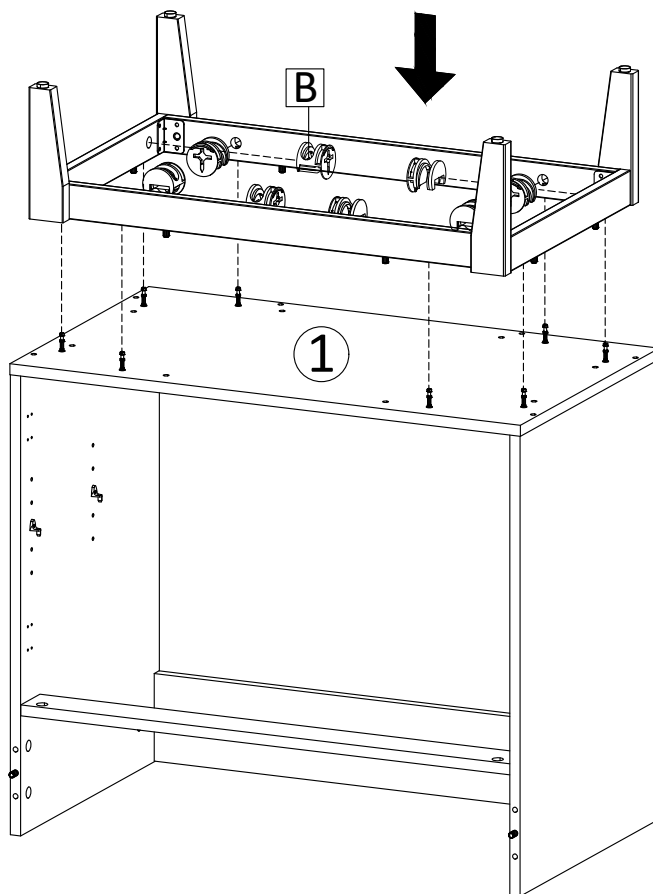
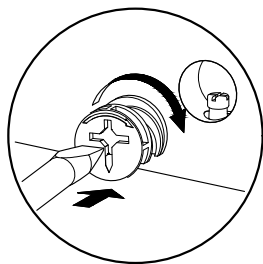
9



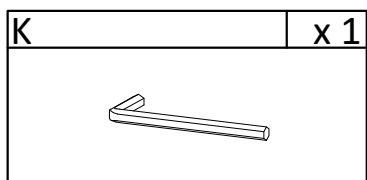
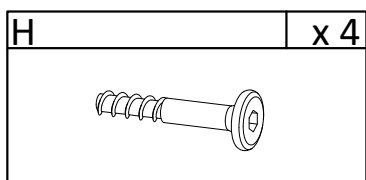
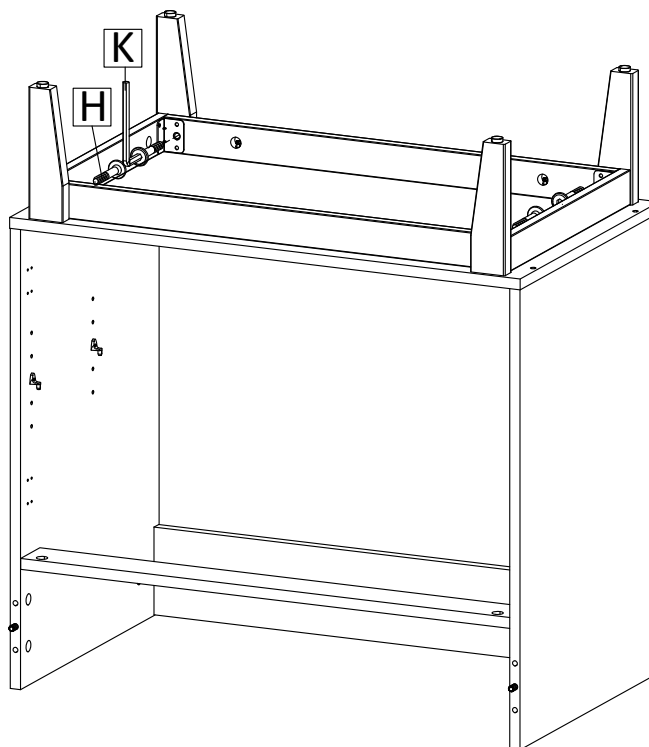
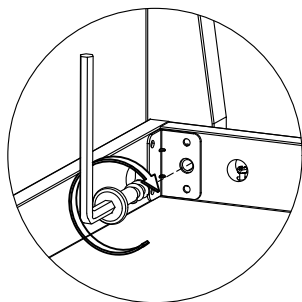
10



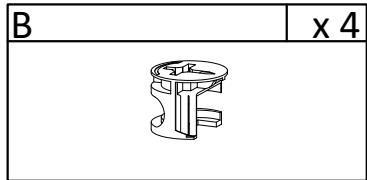
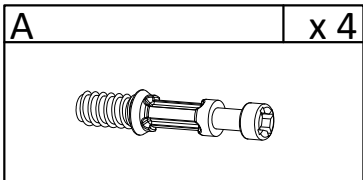
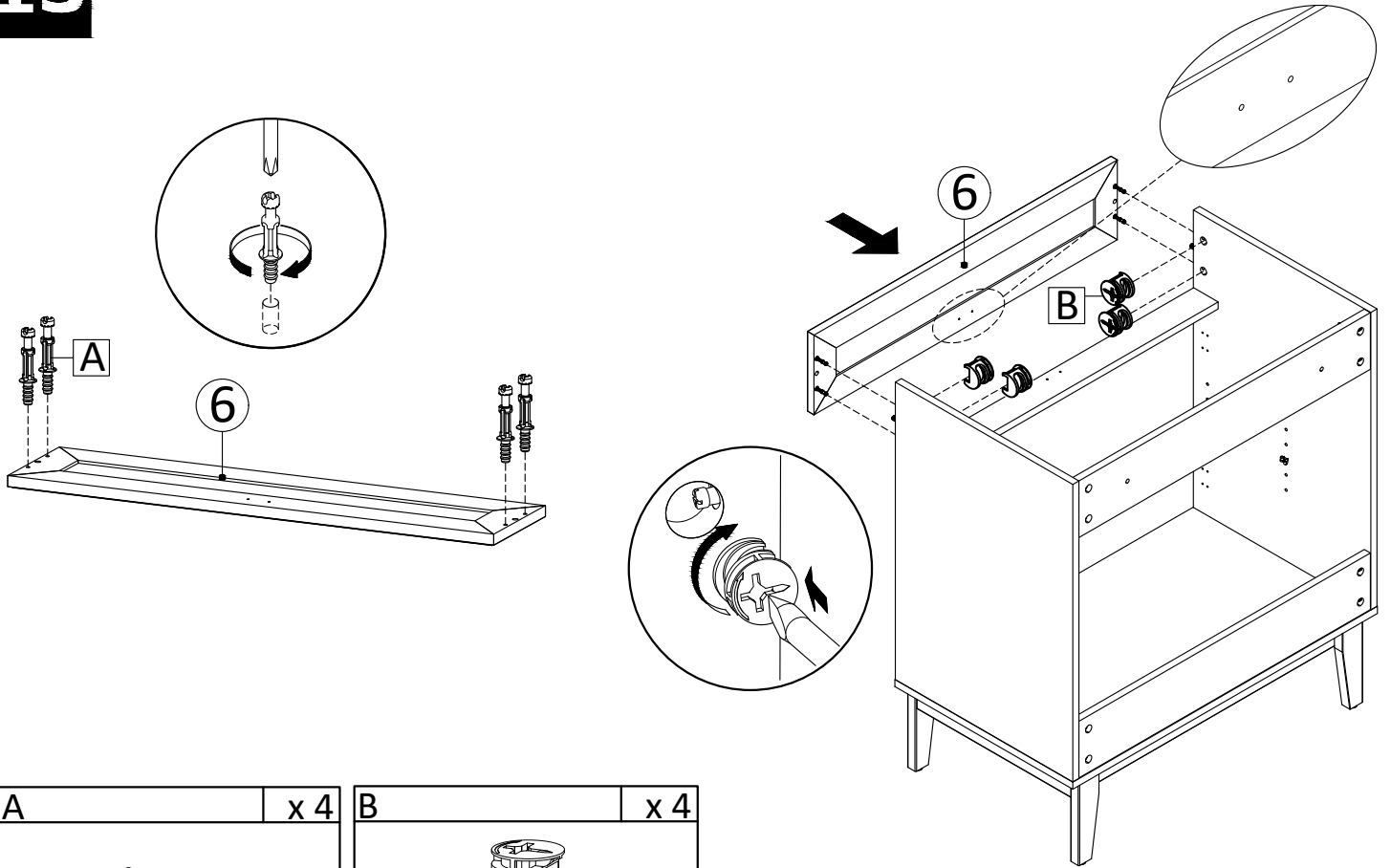
11



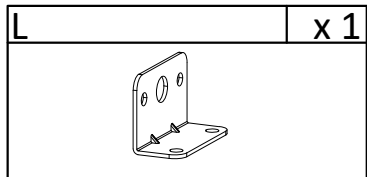
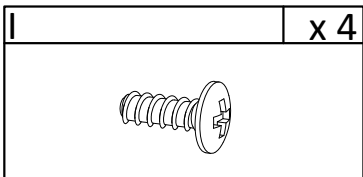
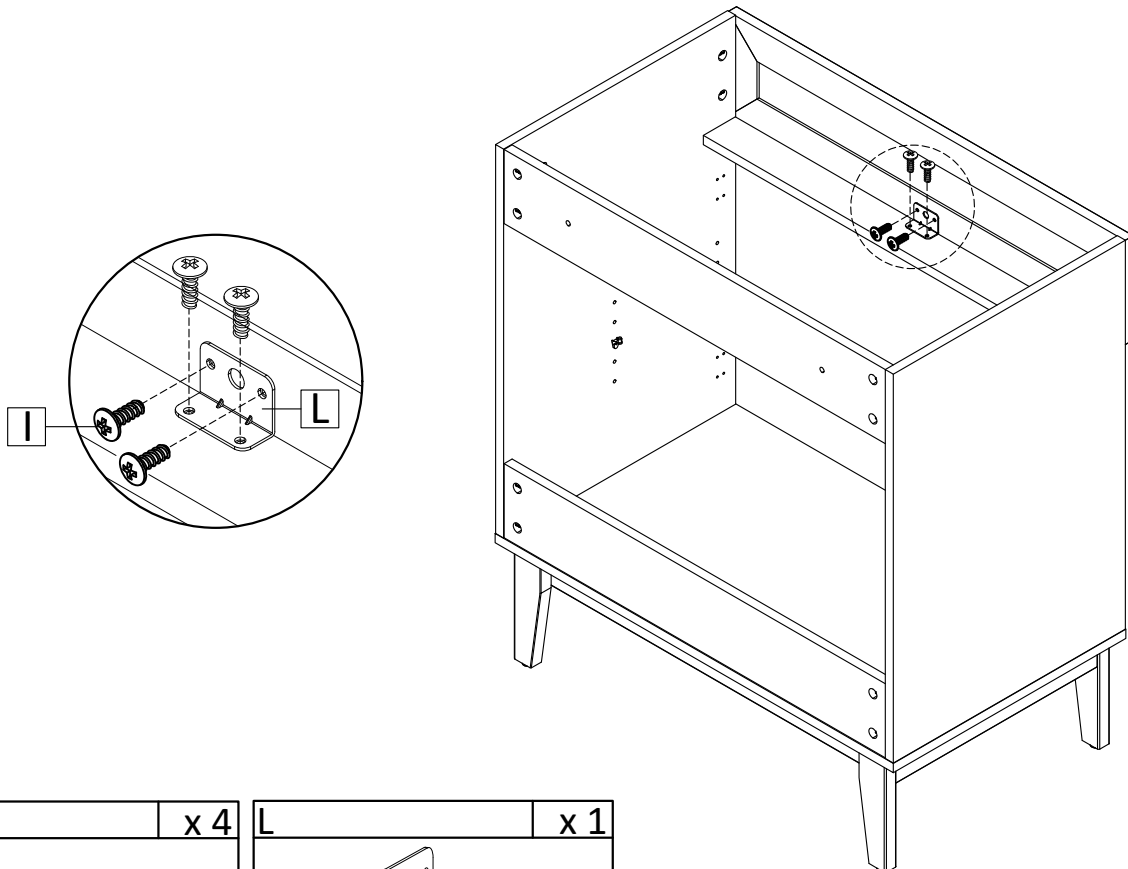
12



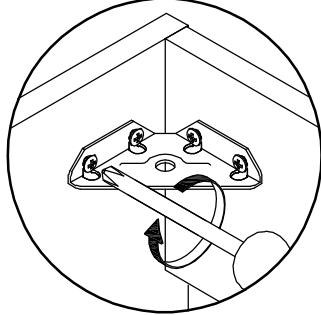
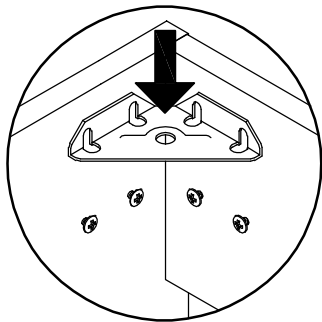
13



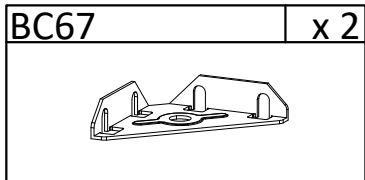
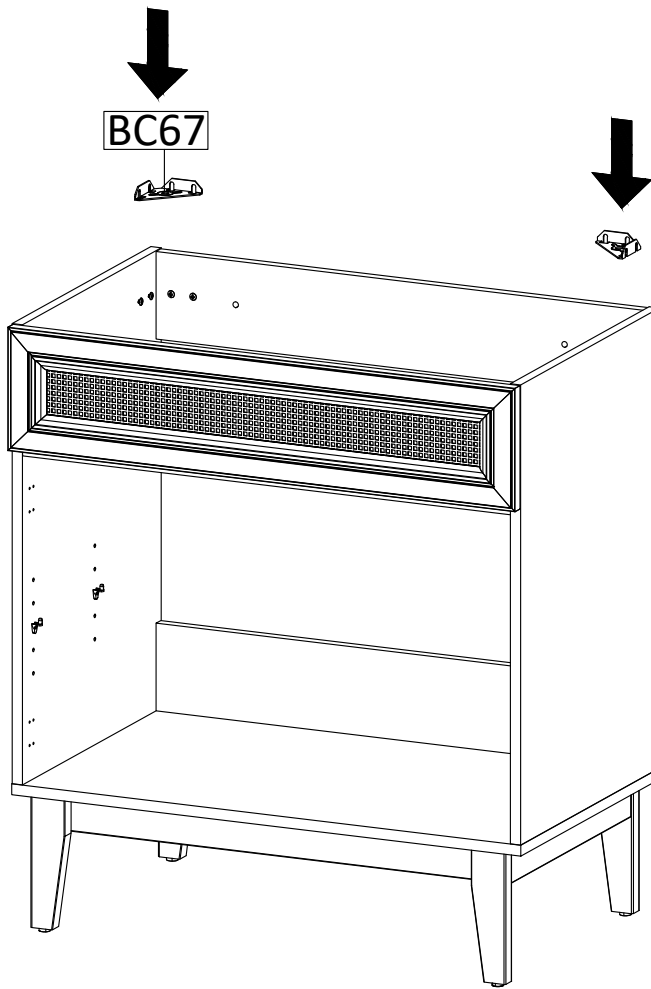
14



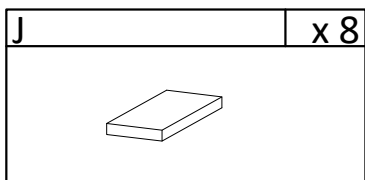
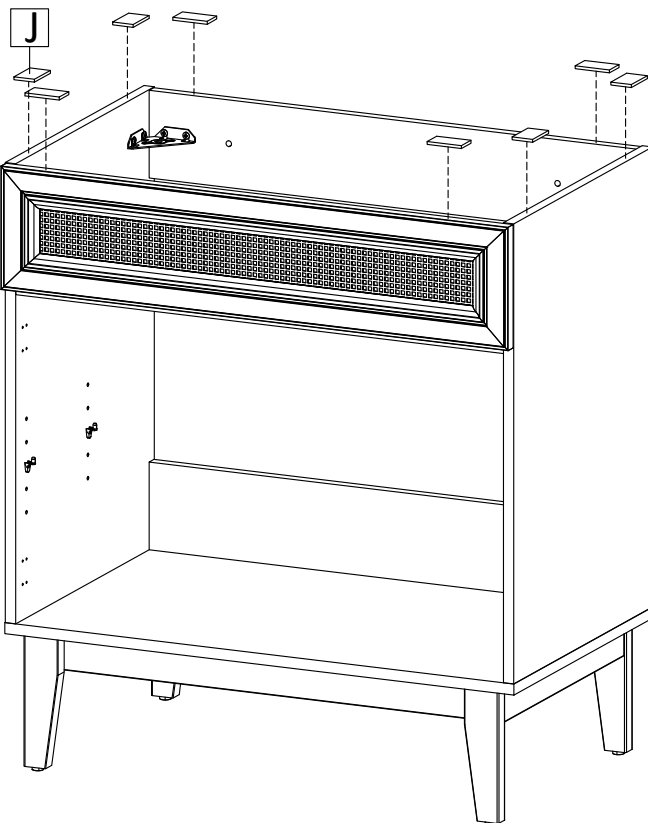
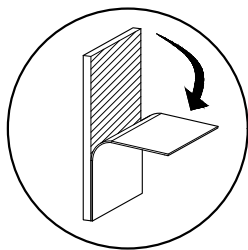
15



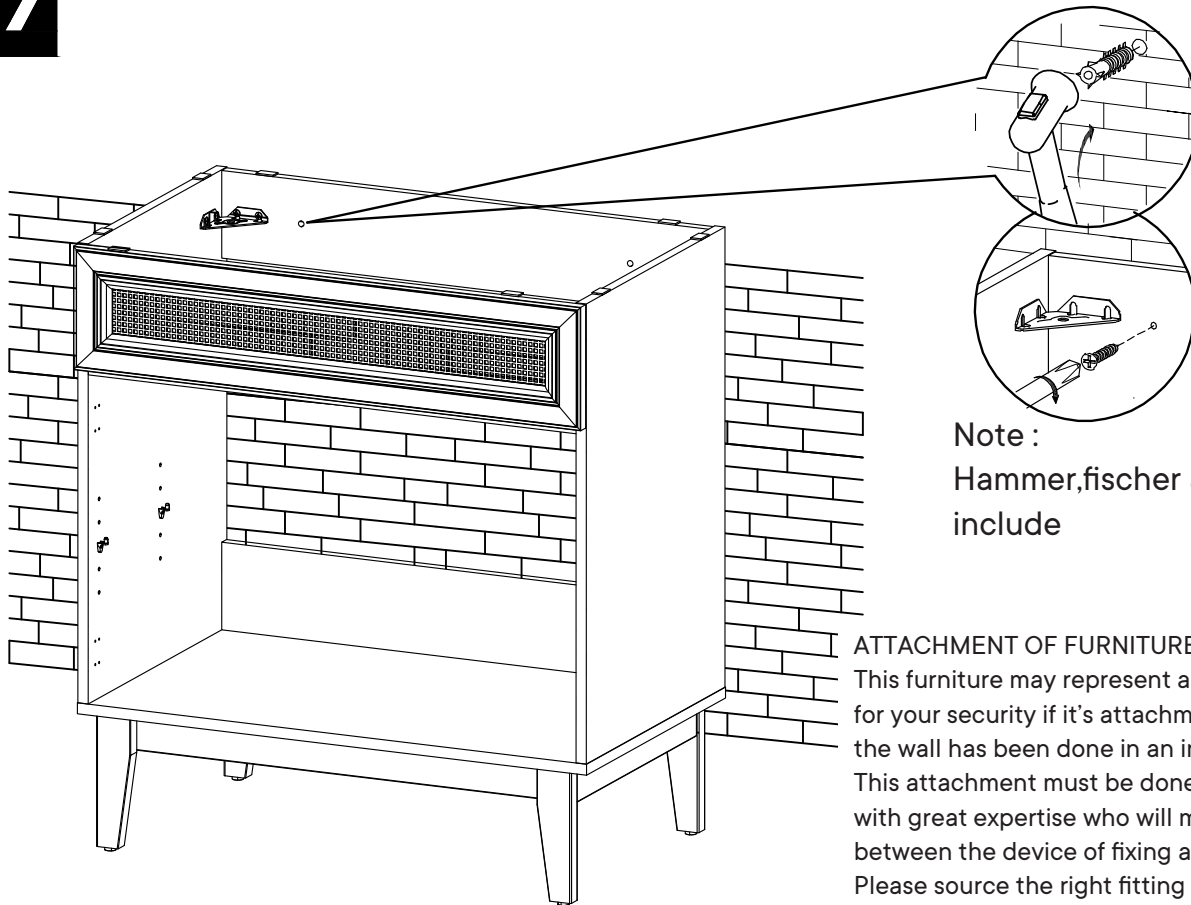
NOTE :
Tighten all the screw



16



17

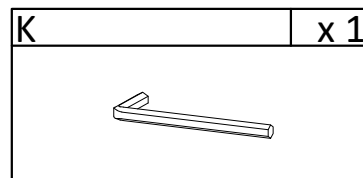
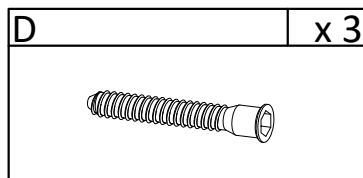
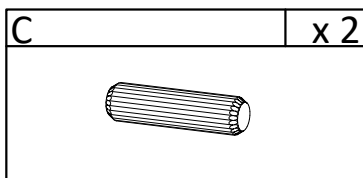
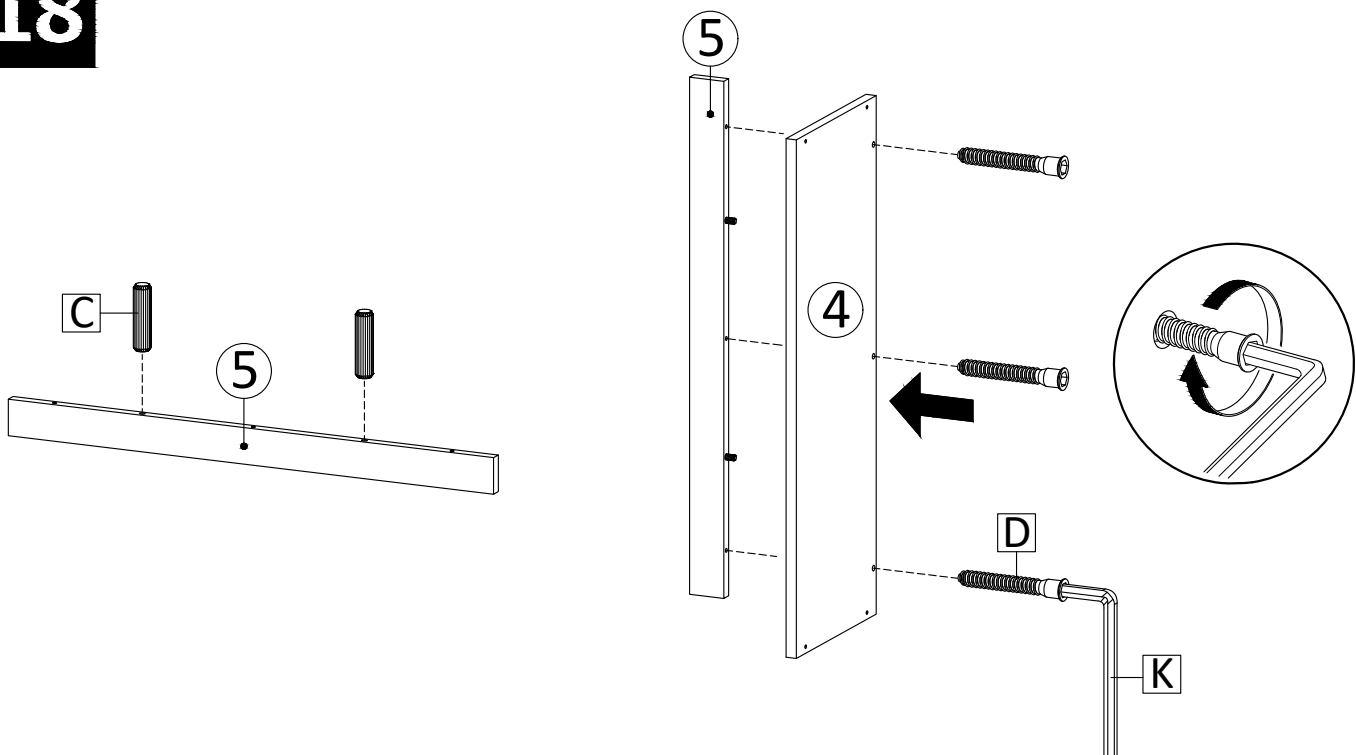


Note :
Hammer, fischer and screw not include

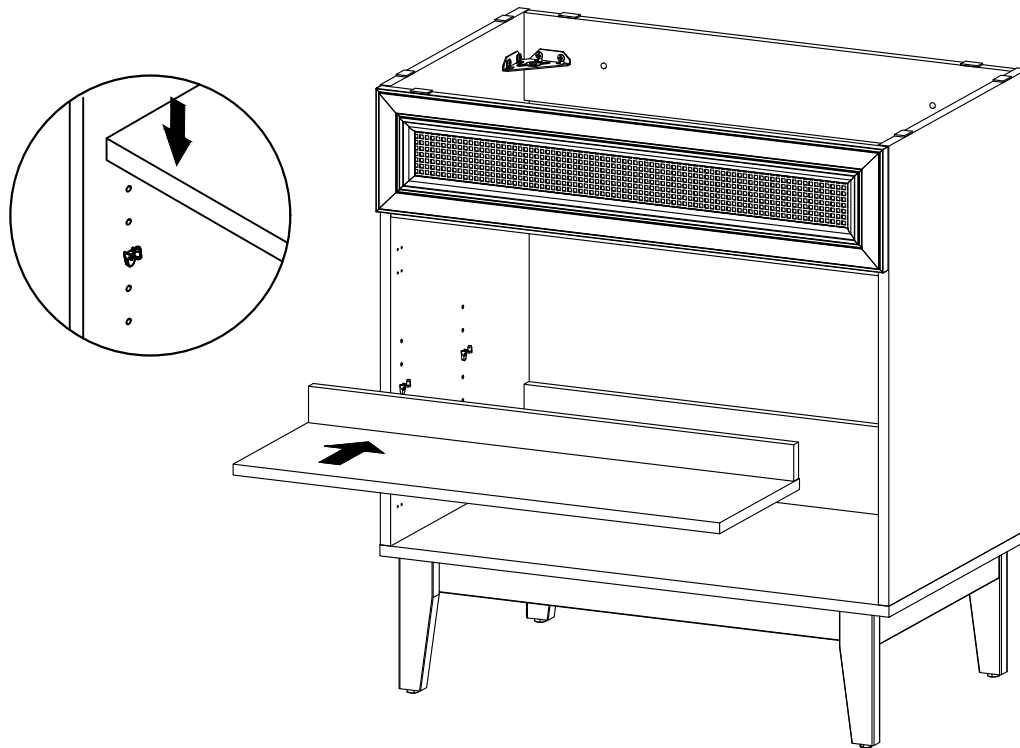
ATTACHMENT OF FURNITURE

This furniture may represent a danger for your security if its attachment on the wall has been done in an incorrect way. This attachment must be done by a person with great expertise who will make sure adequacy between the device of fixing and the wall. Please source the right fitting according to the wall type. For your safety, it is imperative to fix your furniture to the wall

18

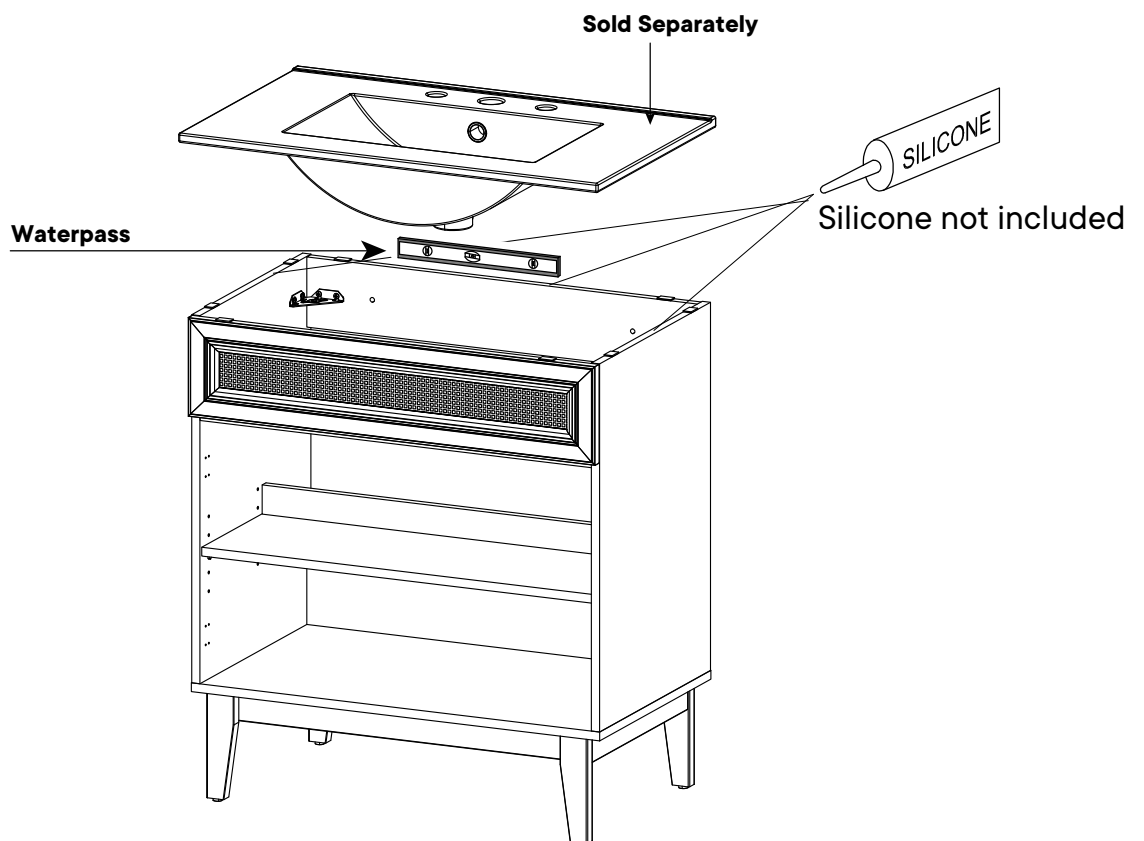


19

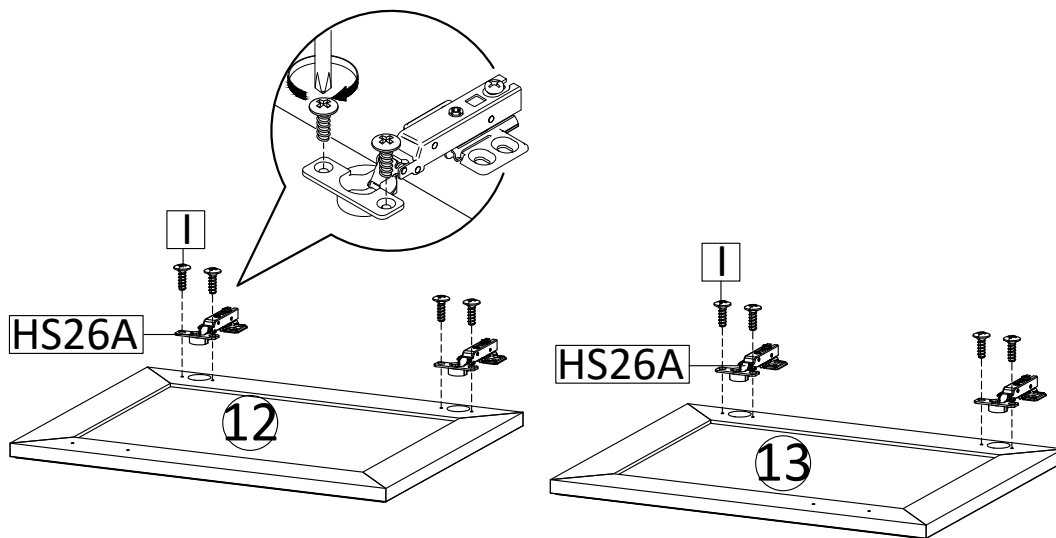


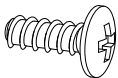
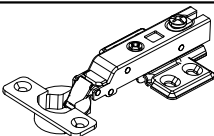
20

Apply a thin bead of silicone compound around the vanity base and set the vanity top carefully in place. Remove any excess silicone compound with a wet rag

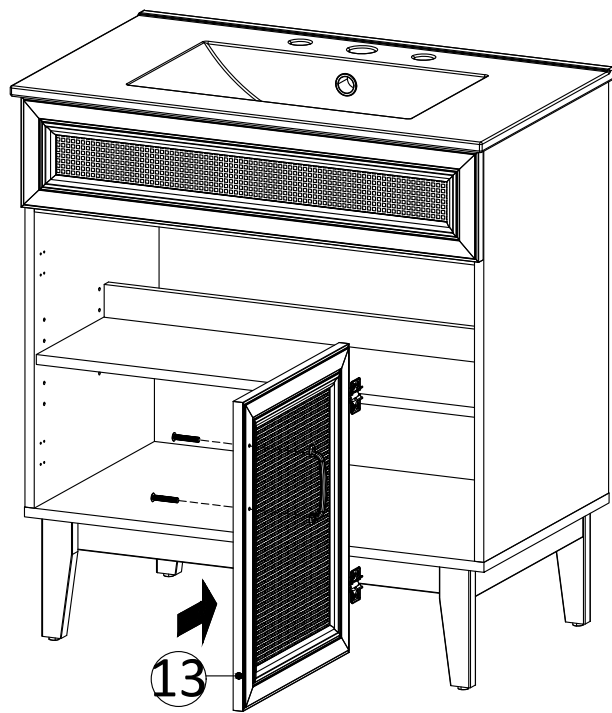
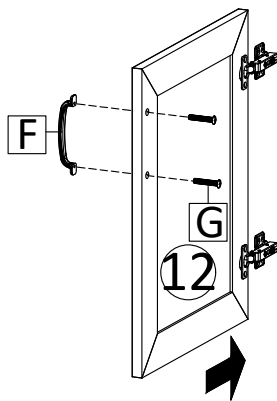
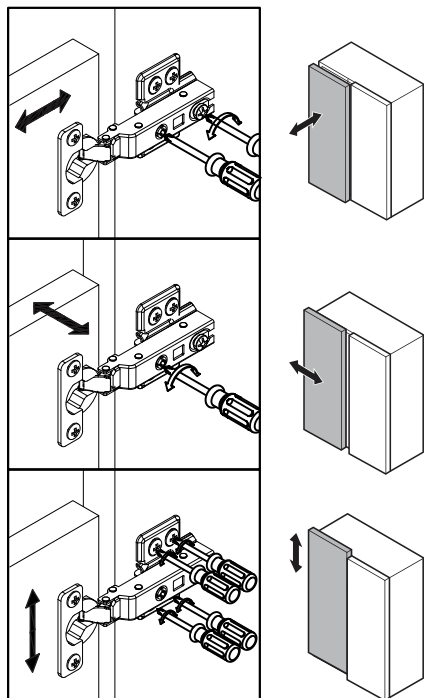
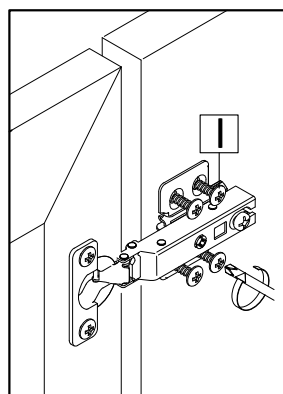


21



I	x 8	HS26A	x 4
			

22



F	x 2	G	x 4	I	x 16
