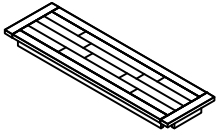
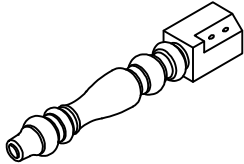


ASSEMBLY INSTRUCTIONS




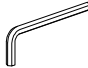
DESCRIPTION : BENCH

Thank you for purchasing this quality product. Be sure to check all packing material carefully for small Hardware which may have some loose inside the carton during shipment. Identify and count all Hardware. Identify and all Hardware and compare with the Hardware List Below.

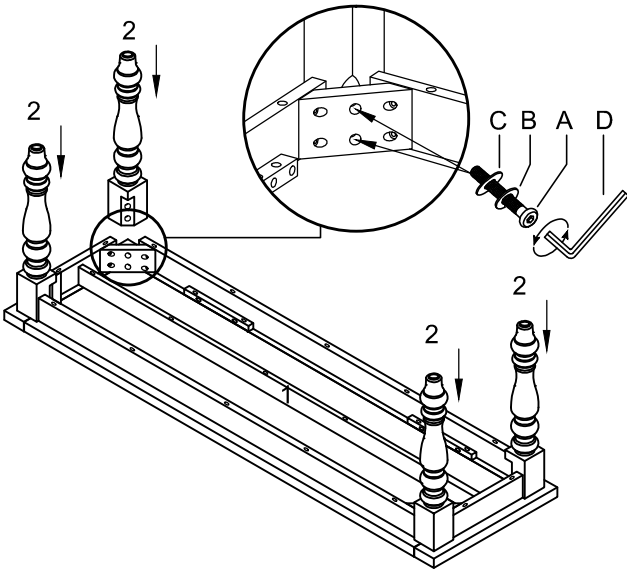
"PART LISTS"

STT	DESC	OUTLOOK	Q'TY
1	BENCH TOP		1pc
2	BENCH LEGS		4pcs

"HARDWARE LISTS"

STT	OUTLOOK	SIZE	Q'TY
A		5/16"x60mm BOLT	8pcs
B		5/16" SPRING WASHER	8pcs
C		5/16"x19mm LOCK WASHER	8pcs
D		4mm ALLEN WRENCH	1pc

STEP 1



COMPLETE

