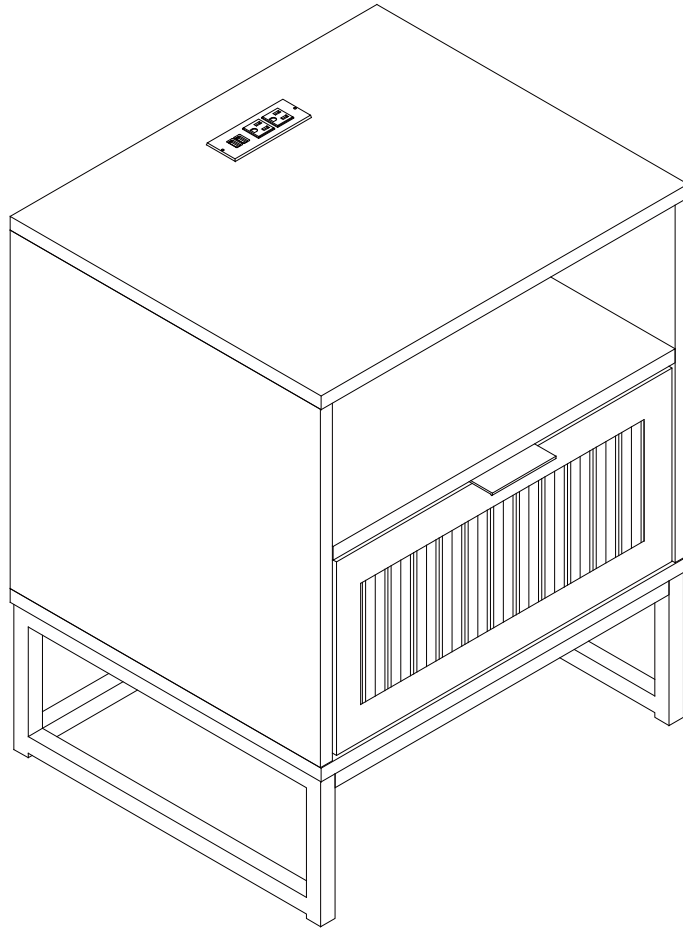


Installation Instruction



Product name

1 Drawer End Table

Ver.1.0 20220831

Assembling

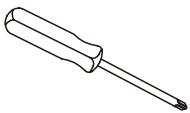
Estimated time for assembly



25 : 00

What you need

- Use the packaging carton as a working surface to prevent product damage during assembly
- Phillips head screwdriver



Weight Limitation

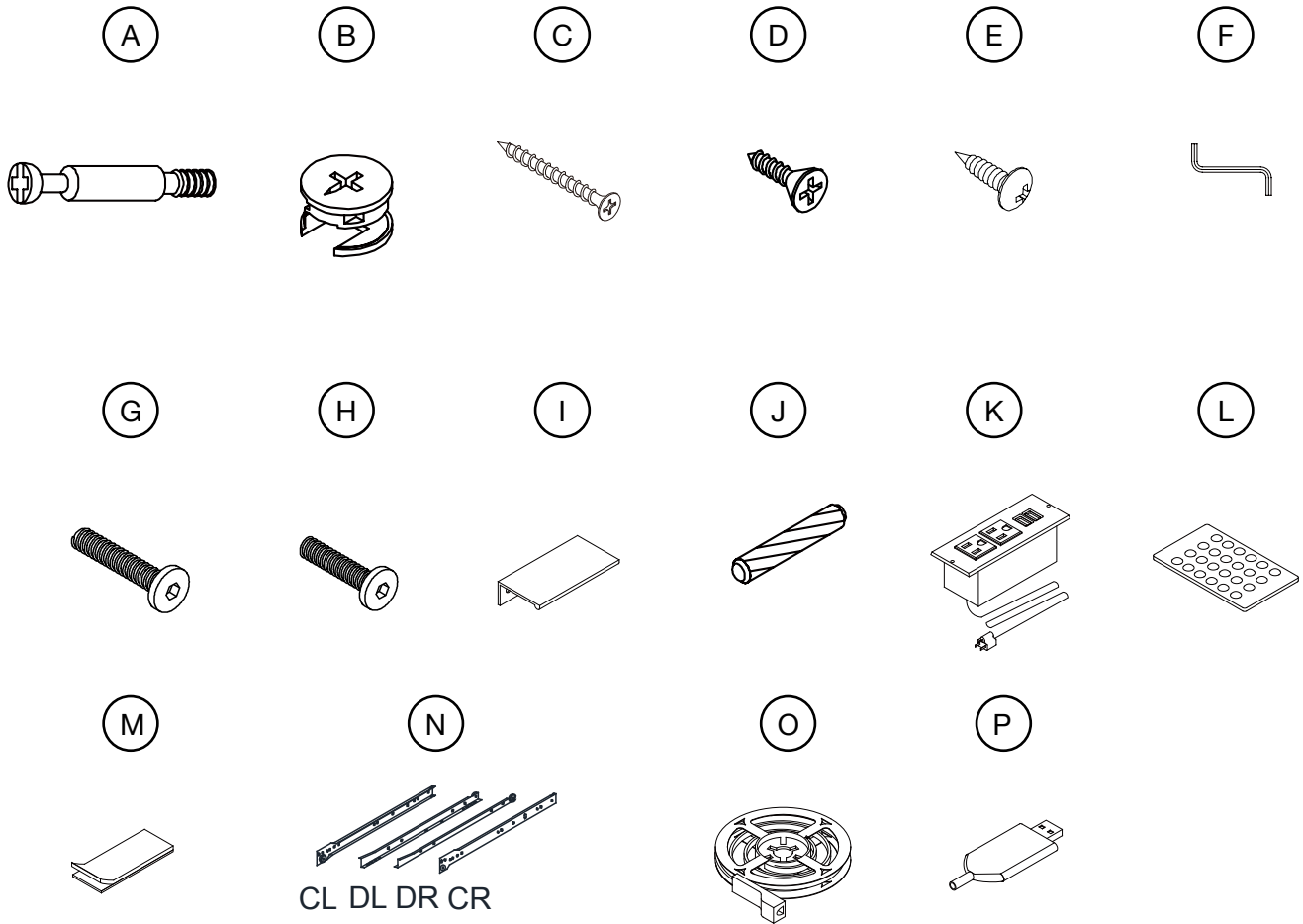


44 | **22**
lbs table top | lbs per shelf

What's included

Code	Description	Qty
A	Cam Bolt M6X35MM	12
B	Cam Lock 15X10MM	12
C	Screw M4X35MM	8
D	Screw M3.5X12MM	14
E	Screw M4X12MM	2
F	Allen Key	1
G	Bolt M6X40MM	6
H	Bolt M6X30MM	8
I	Handle	1
J	Wooden Dowel M6X30MM	12
K	Power Socket	1
L	Remote Control	1
M	Fixed Lable	2
N	Slide Set	1
O	Light Strip	1
P	Transverter	1

The Hardwares



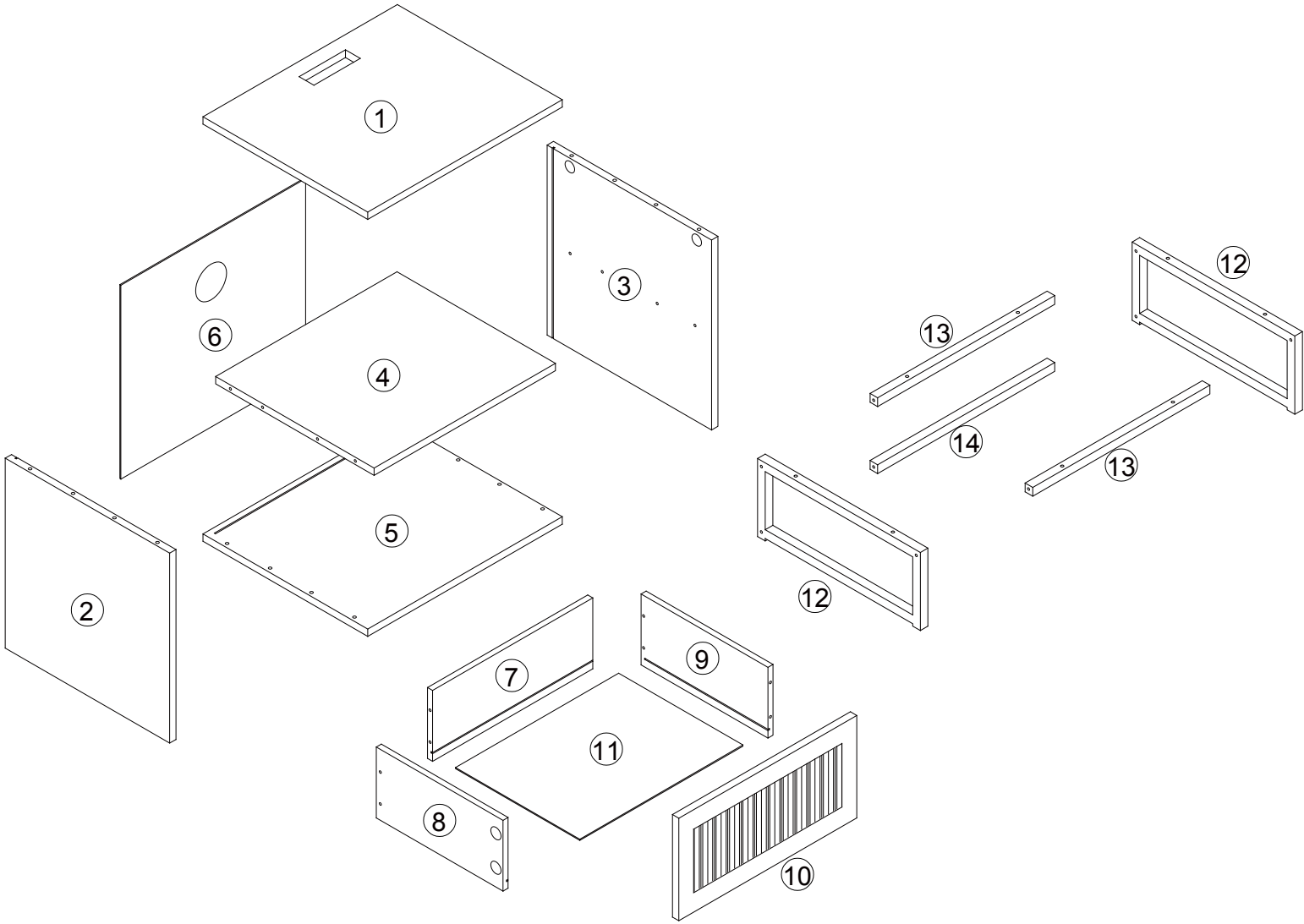
IMPORTANT:

1. Do not tighten bolts / screws completely until all bolts / screws are lined up and inserted into holes.
2. Do not over tighten screws and bolts to avoid stripping.
3. Please use hand tools to assemble this product. Do not use power tools.

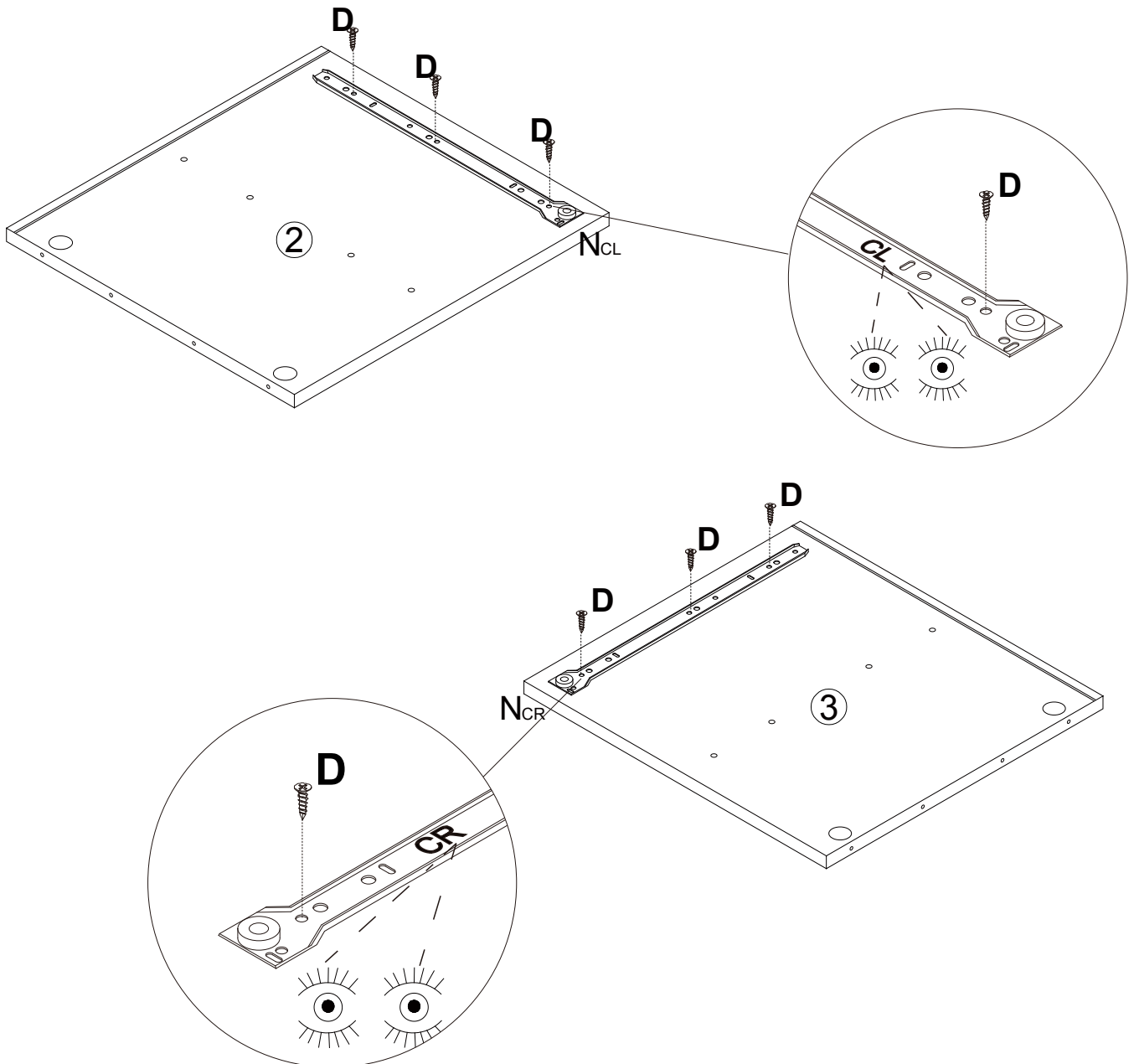
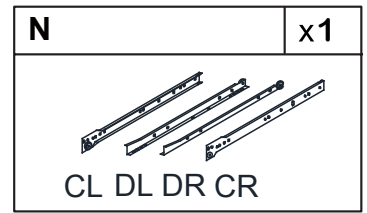
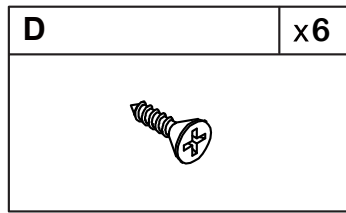
Included Accessories

Code	Description	Qty
1	Cabinet Top	1
2	Left Side Panel	1
3	Right Side Panel	1
4	Shelf	1
5	Bottom Panel	1
6	Back Panel	1
7	Drawer Back Panel	1
8	Drawer Left Side Panel	1
9	Drawer Right Side Panel	1
10	Drawer Front Panel	1
11	Drawer Bottom Panel	1
12	Side Frame	2
13	Top Metal Stretcher	2
14	Bottom Metal Stretcher	1

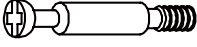

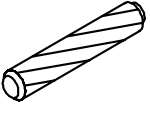
The Accessoriess

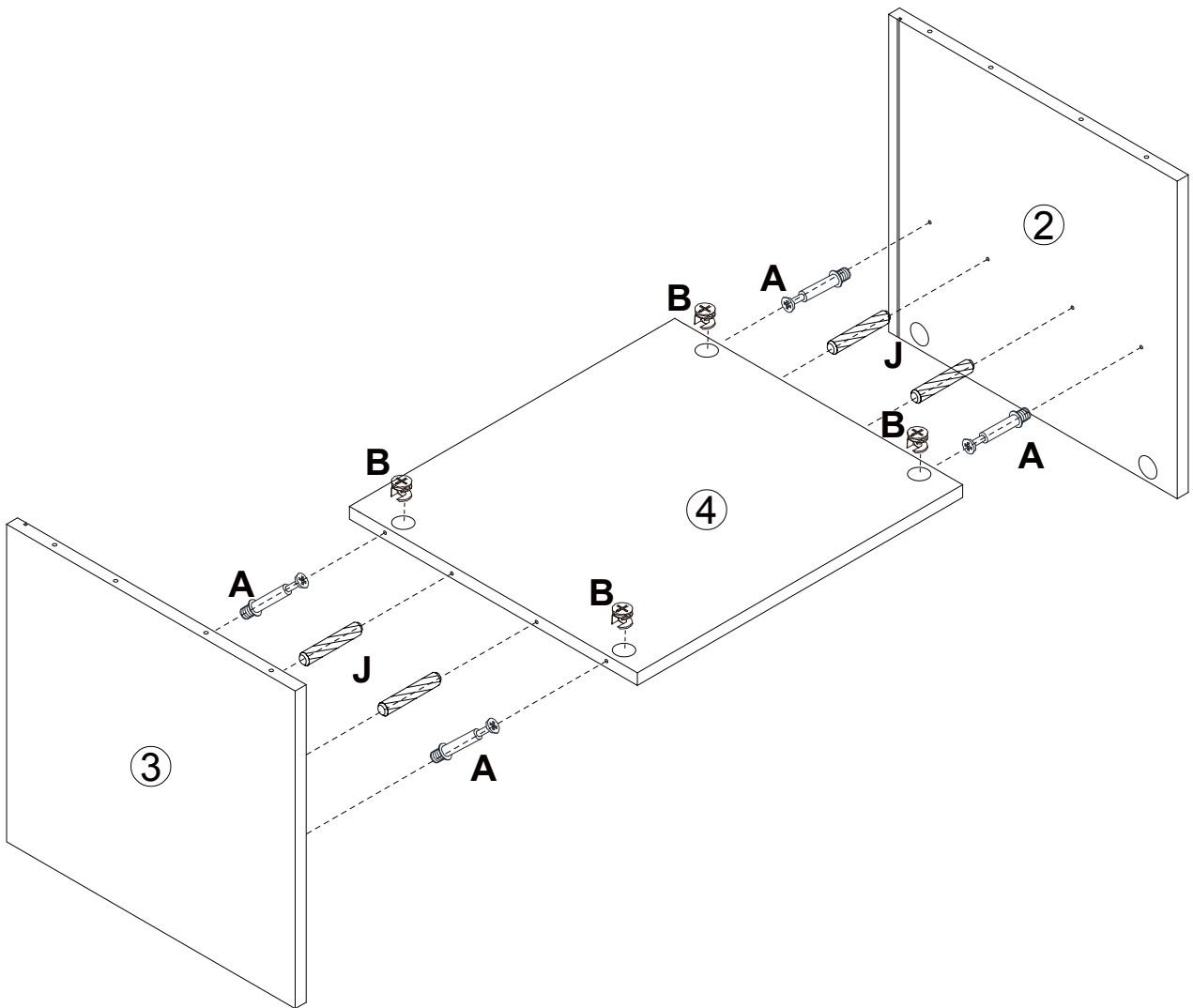


Step 1

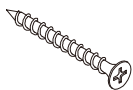
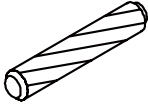


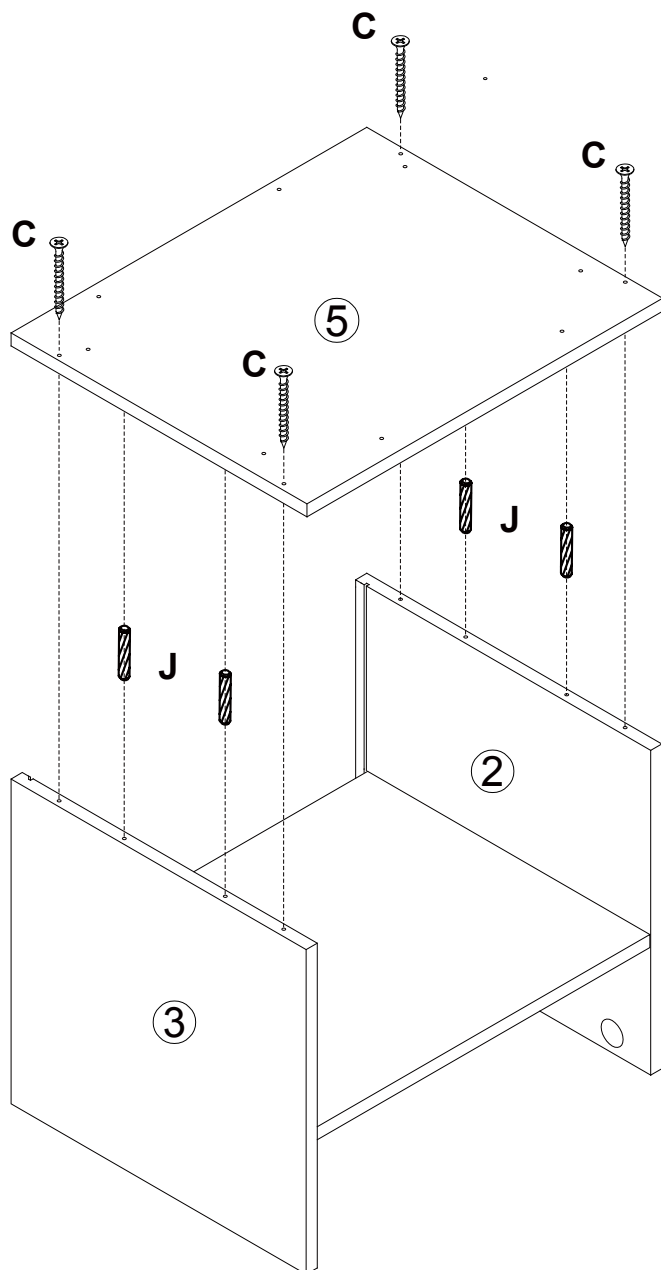
Step 2

A	x4	B	x4	J	x4
					

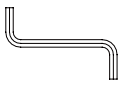
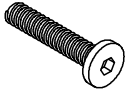


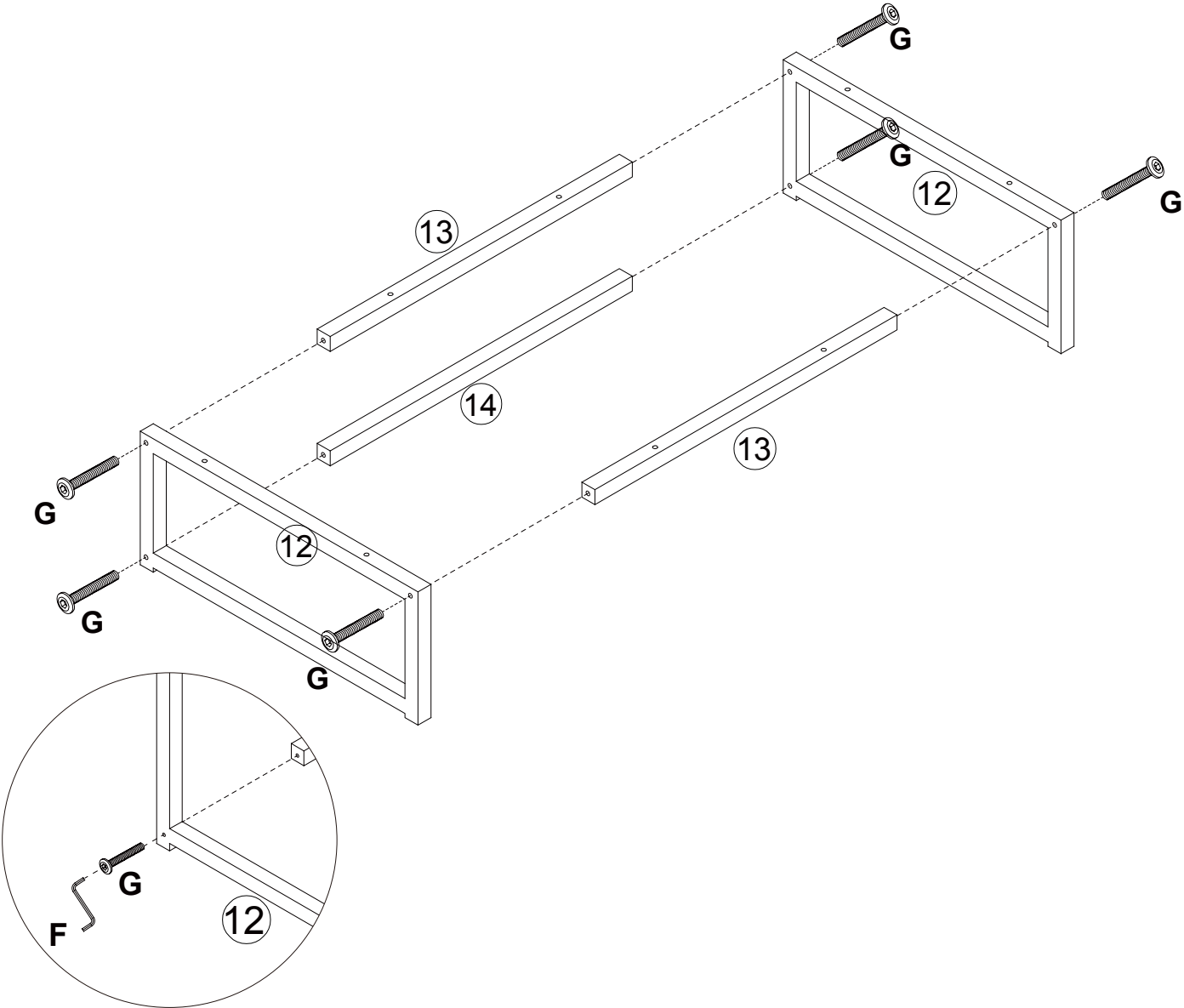
Step 3

C	x4	J	x4
			

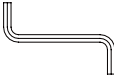
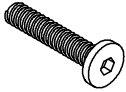


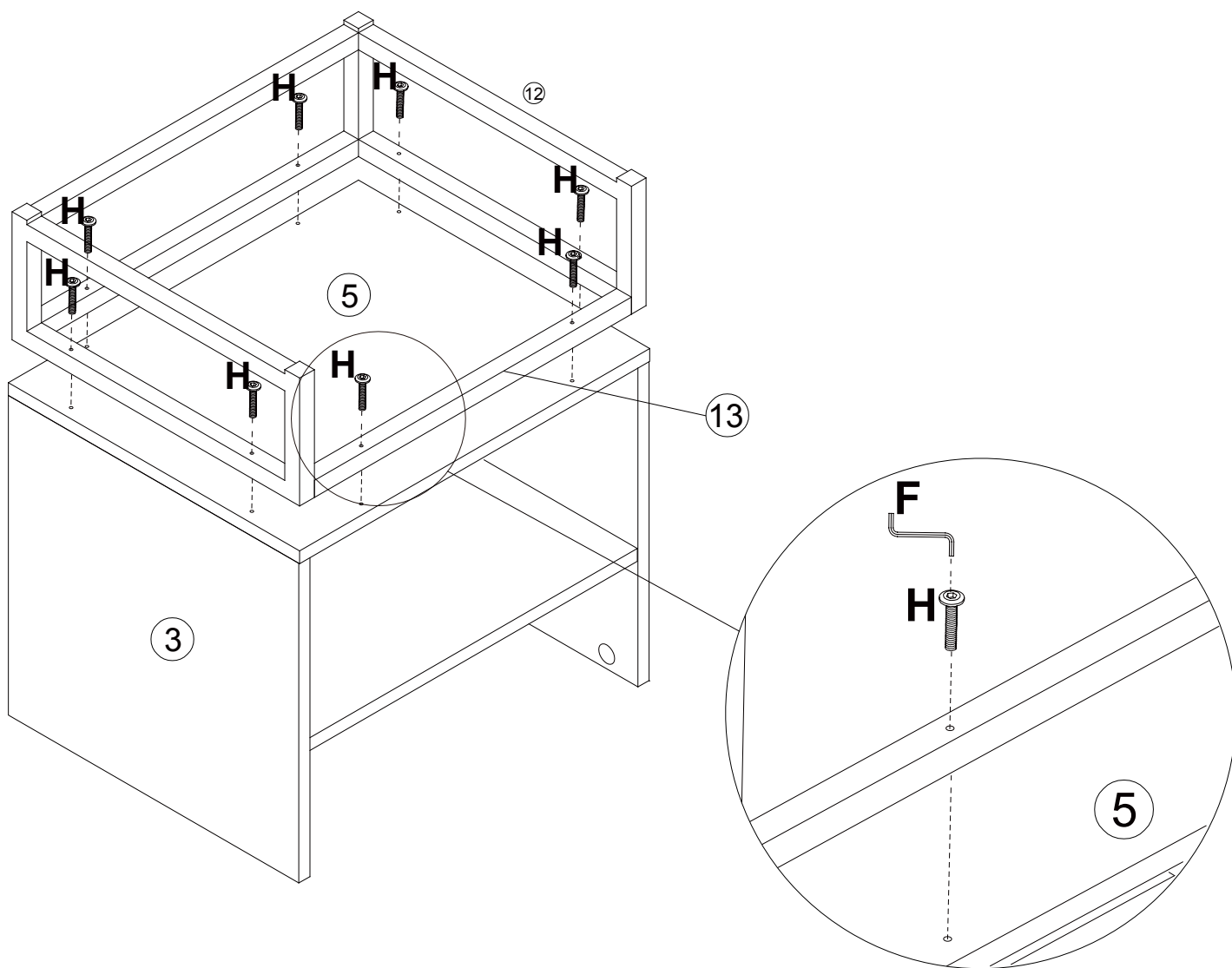
Step 4

F	x1	G	x6
			

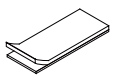
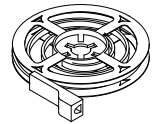


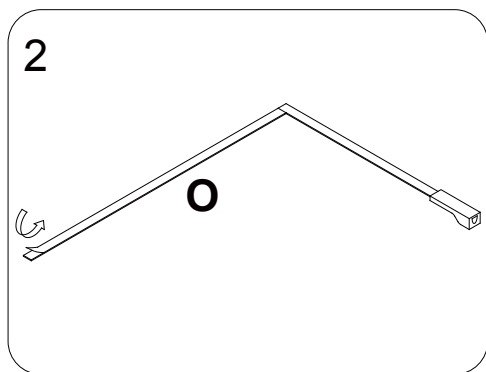
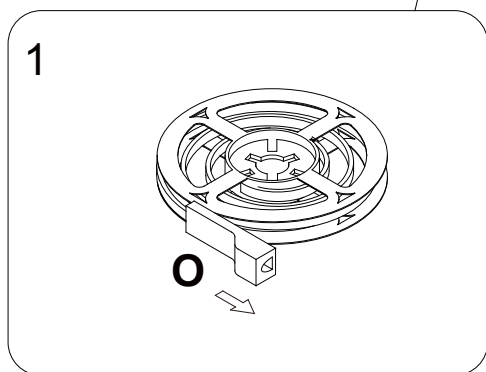
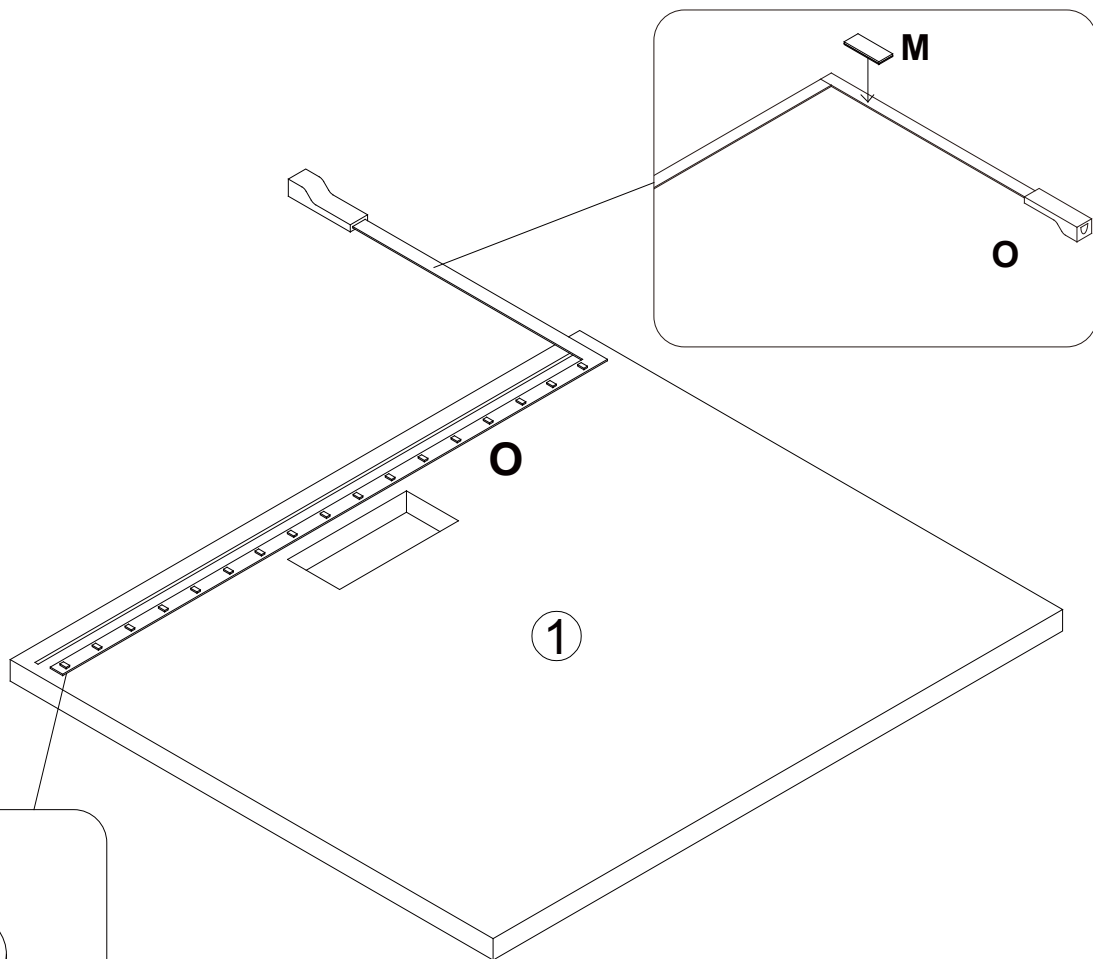
Step 5

F	x1	H	x8
			

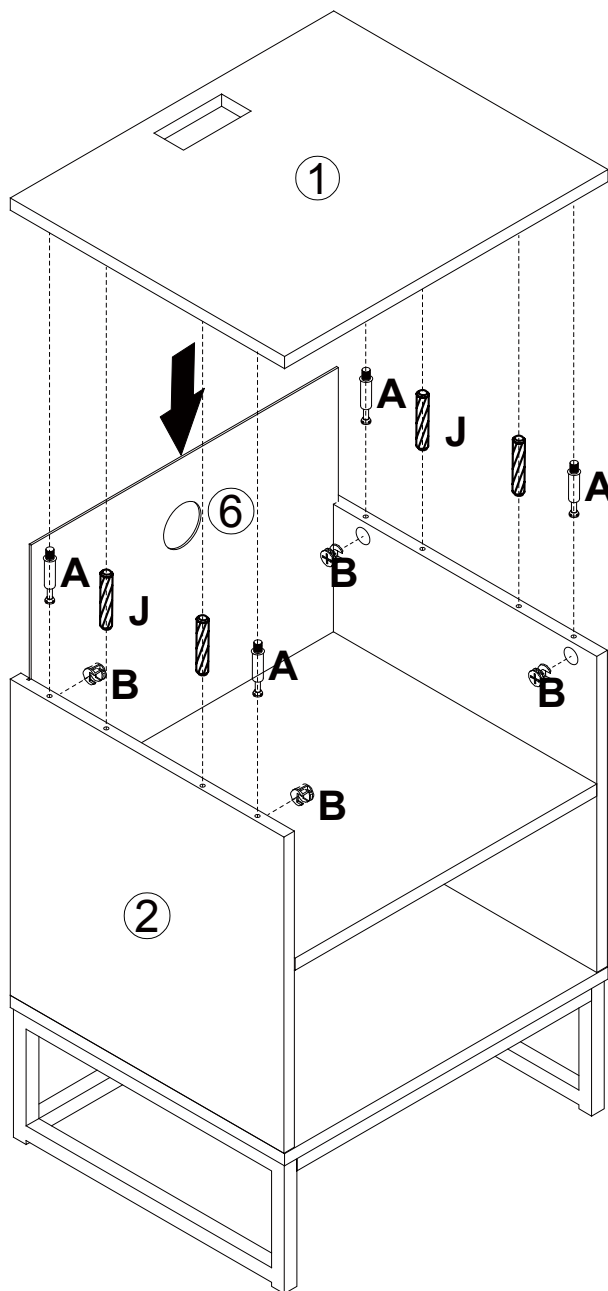
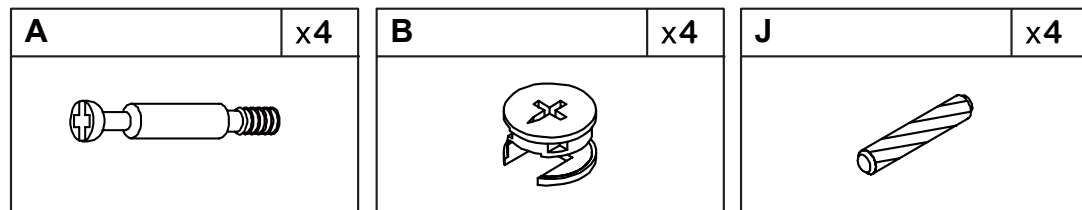


Step 6


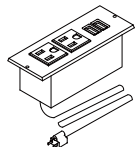
M	x2	O	x1
			

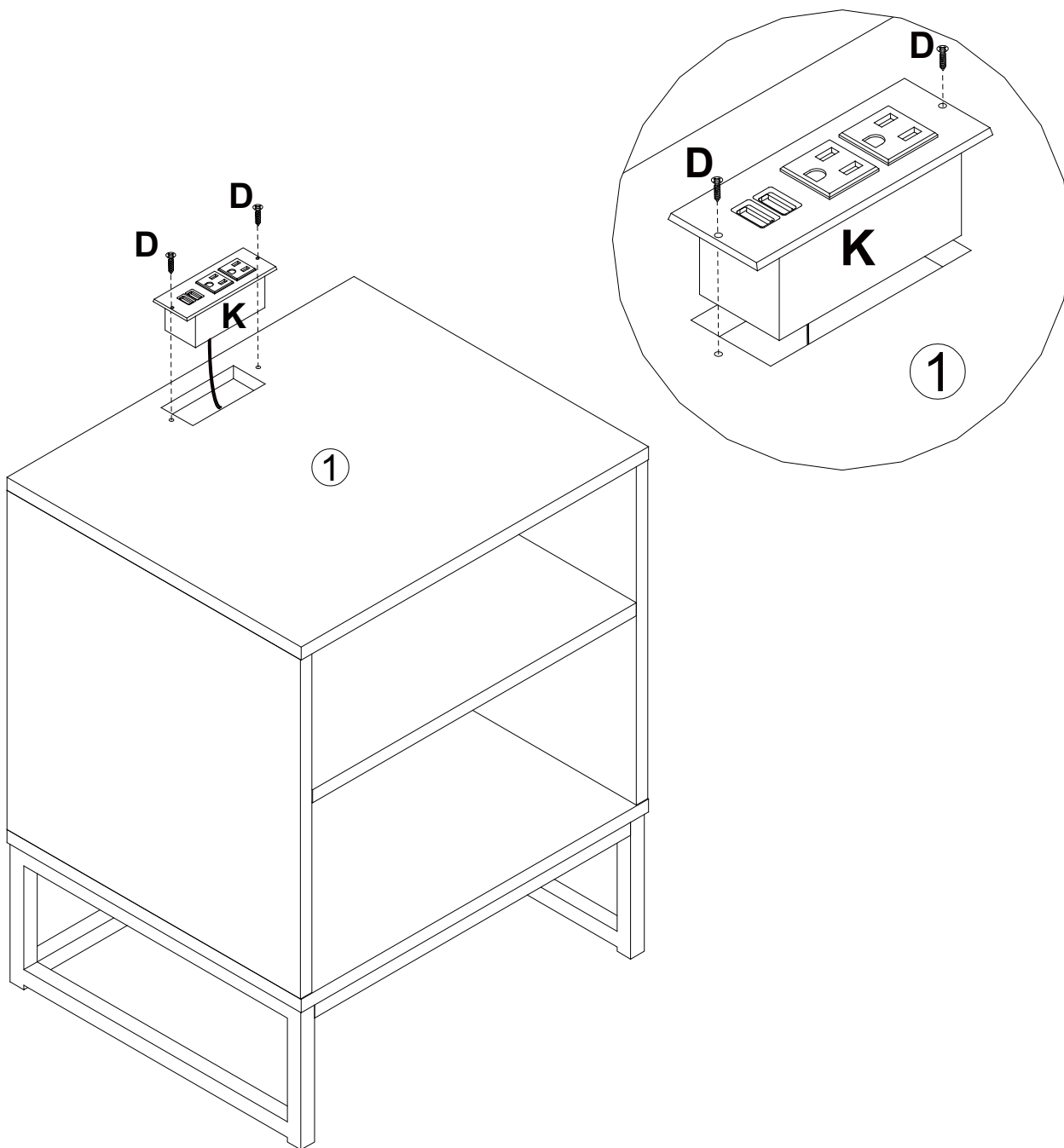


Step 7

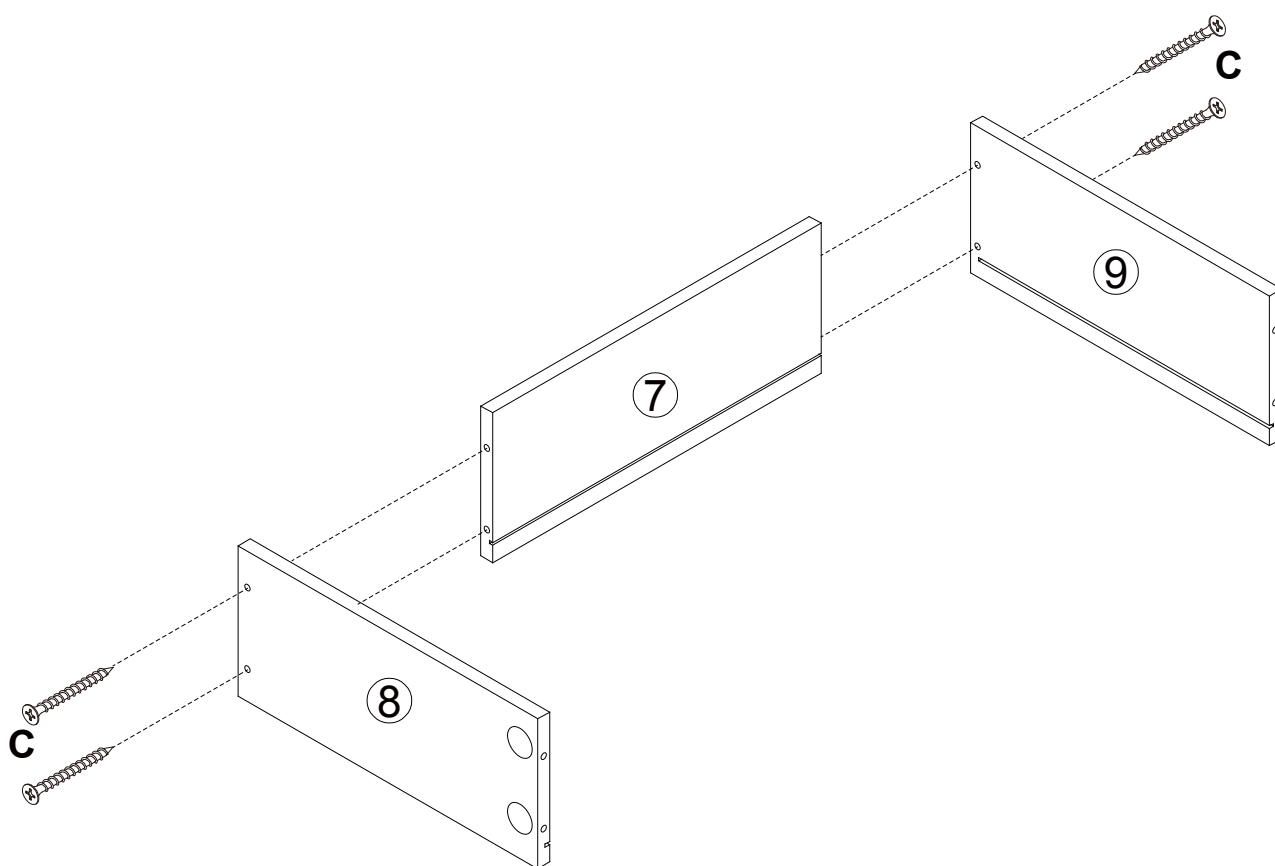
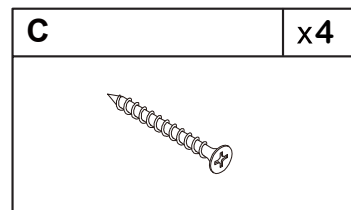


Step 8

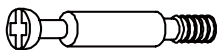

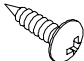
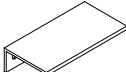
D	x2	K	x1
			

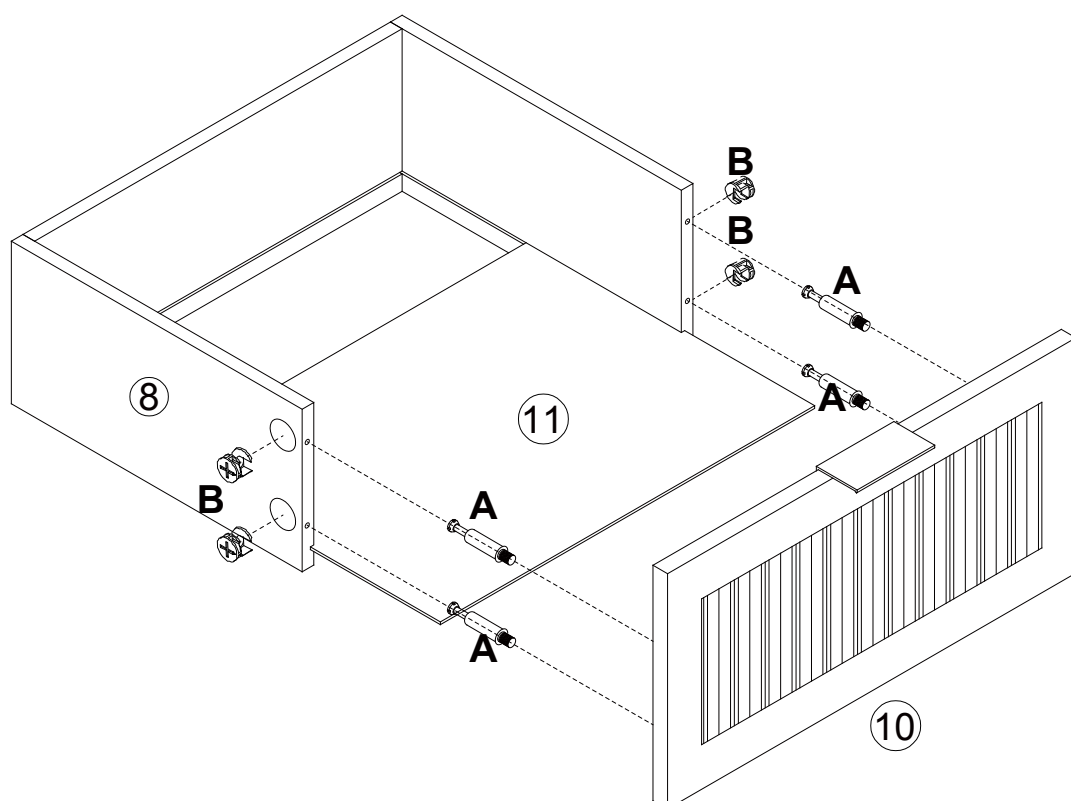
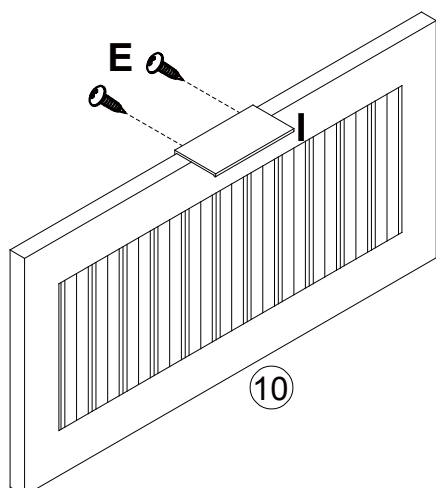


Step 9

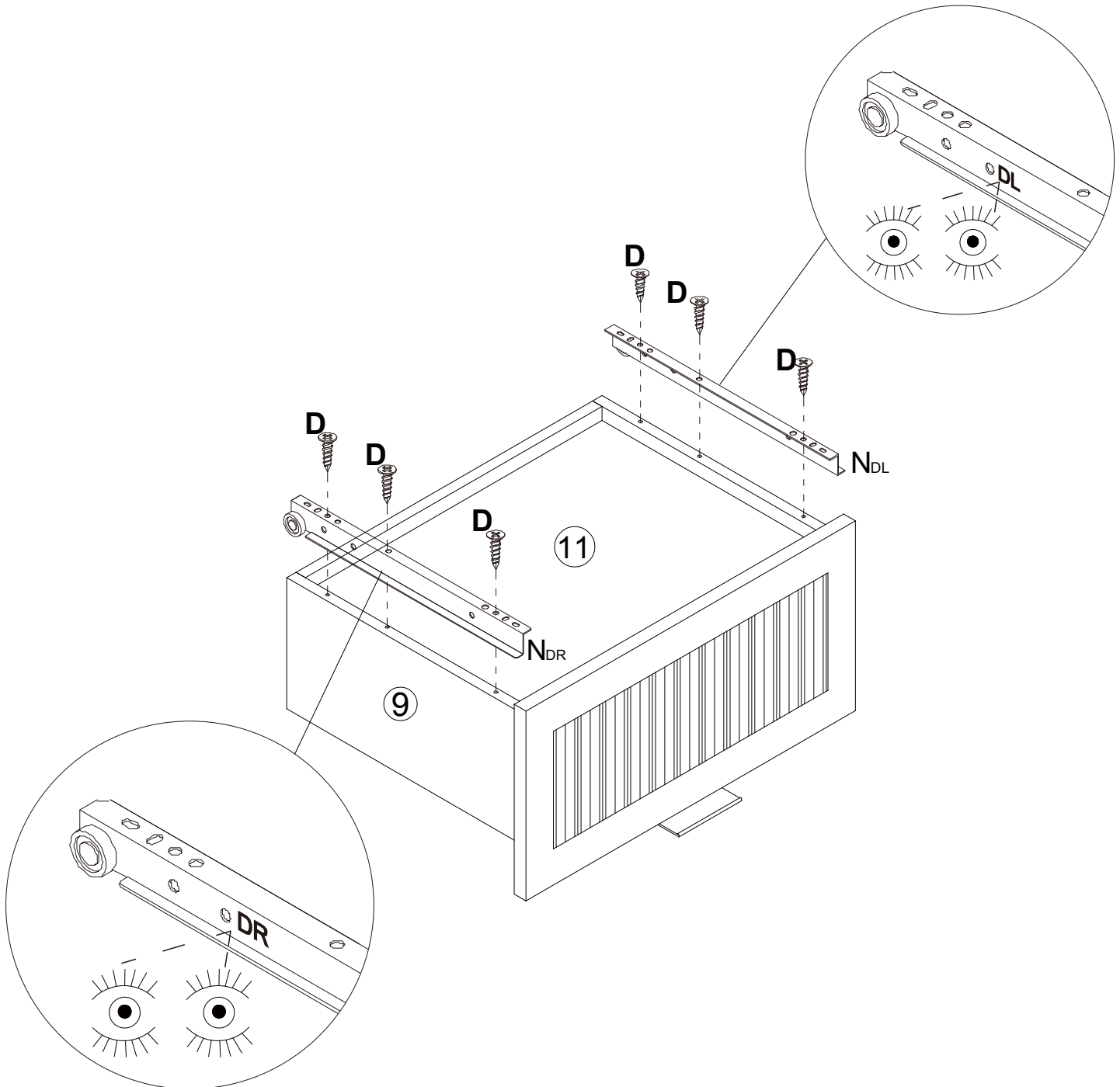
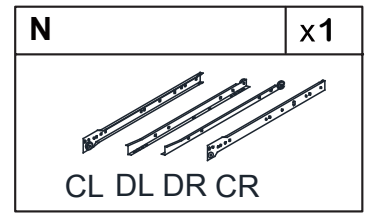
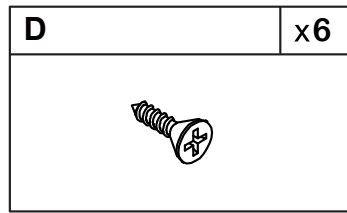


Step 10

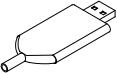
A	x4	B	x4
			
E	x2	I	x1
			

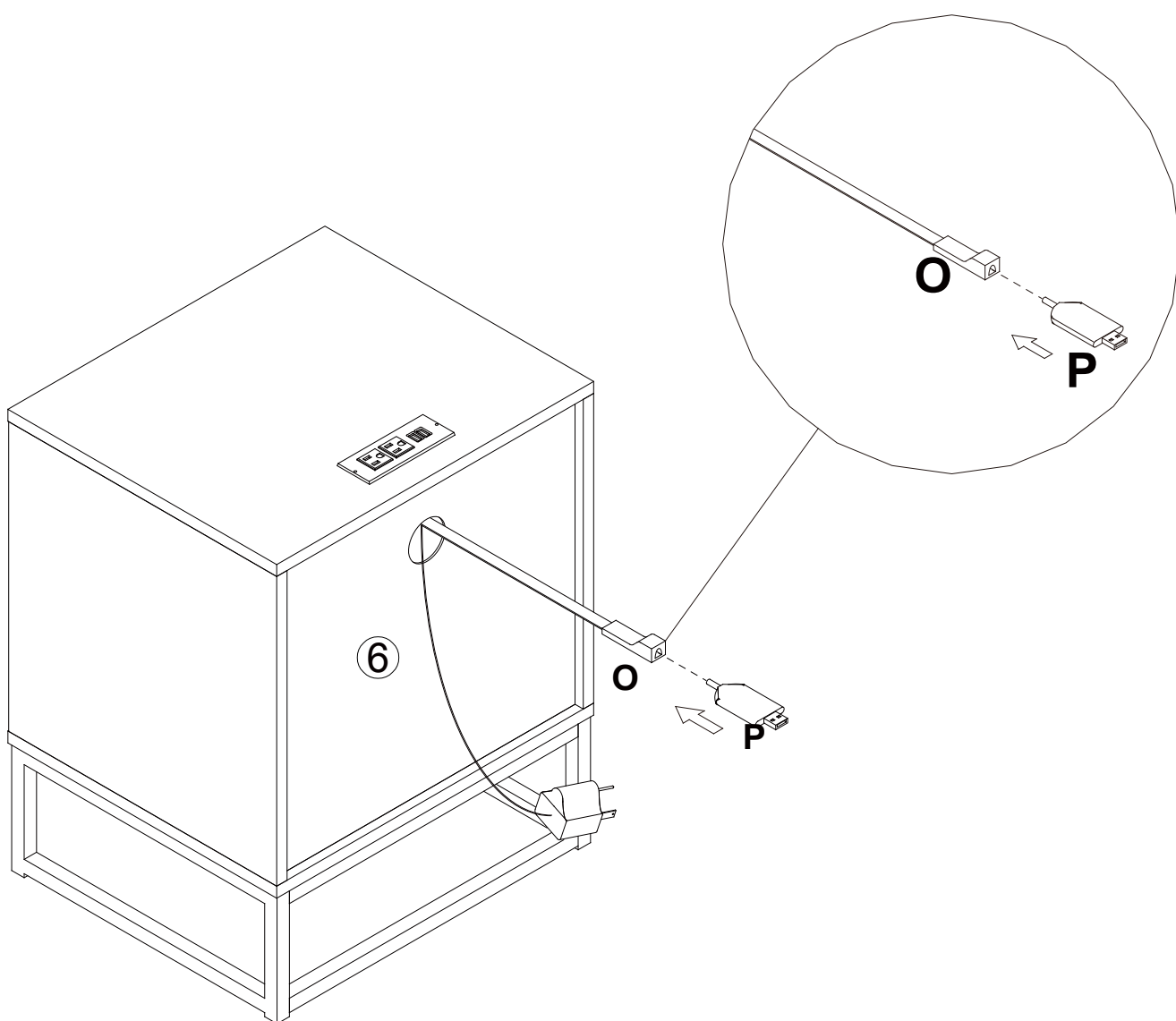


Step 11

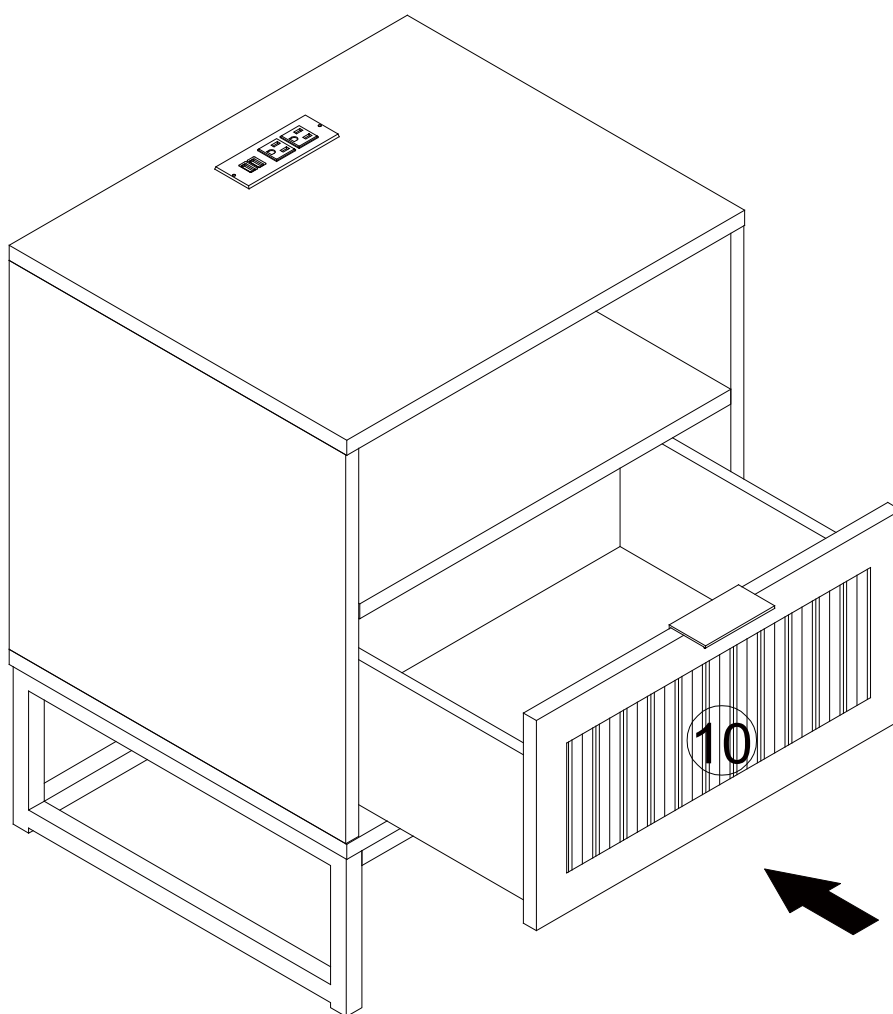


Step 12

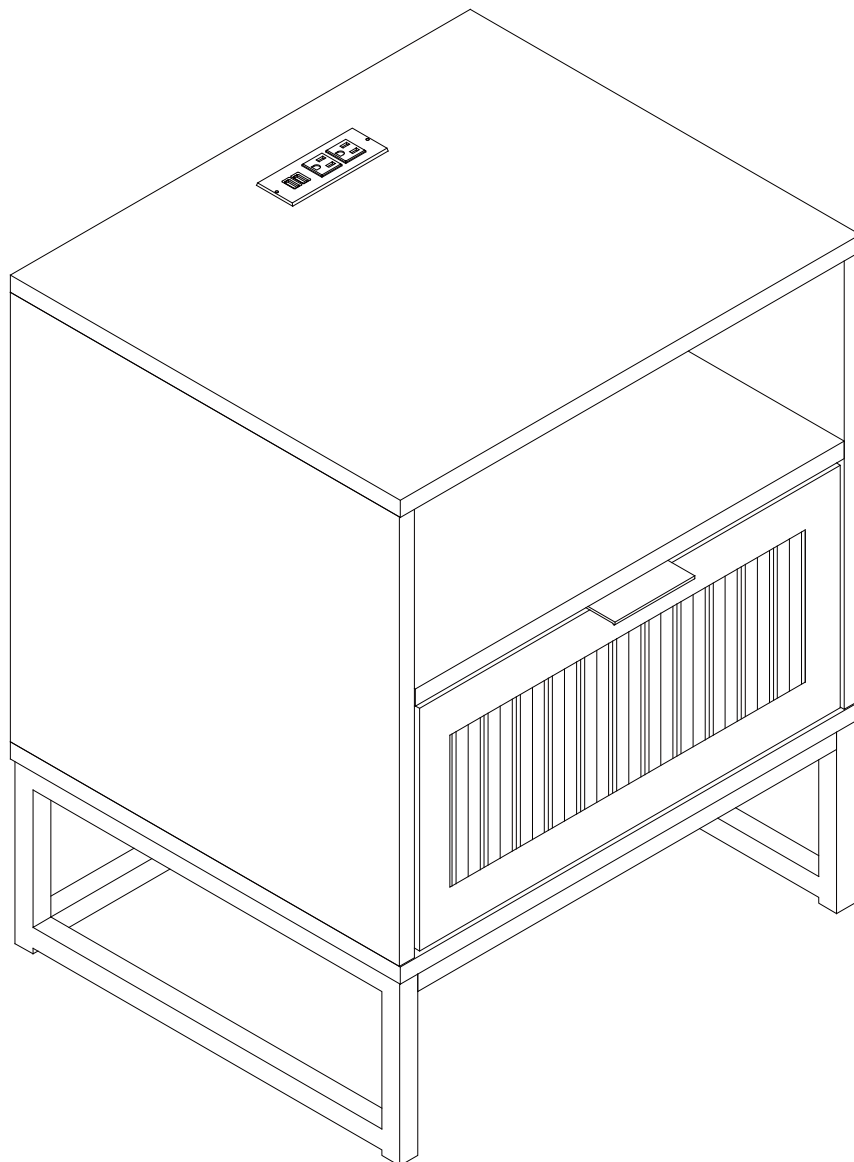
P	x1
	



Step 13



Step 14



Proper Use

- DO NOT** use for commercial purposes
- DO NOT** use as a step stool or stand on table
- DO NOT** put hot serving liquid directly on the table top
- DO NOT** leave spilled liquid on the table top
- DO NOT** use table if damaged
- DO NOT** exceed weight limit
- DO NOT** make temporary repairs
- DO NOT** use outdoor