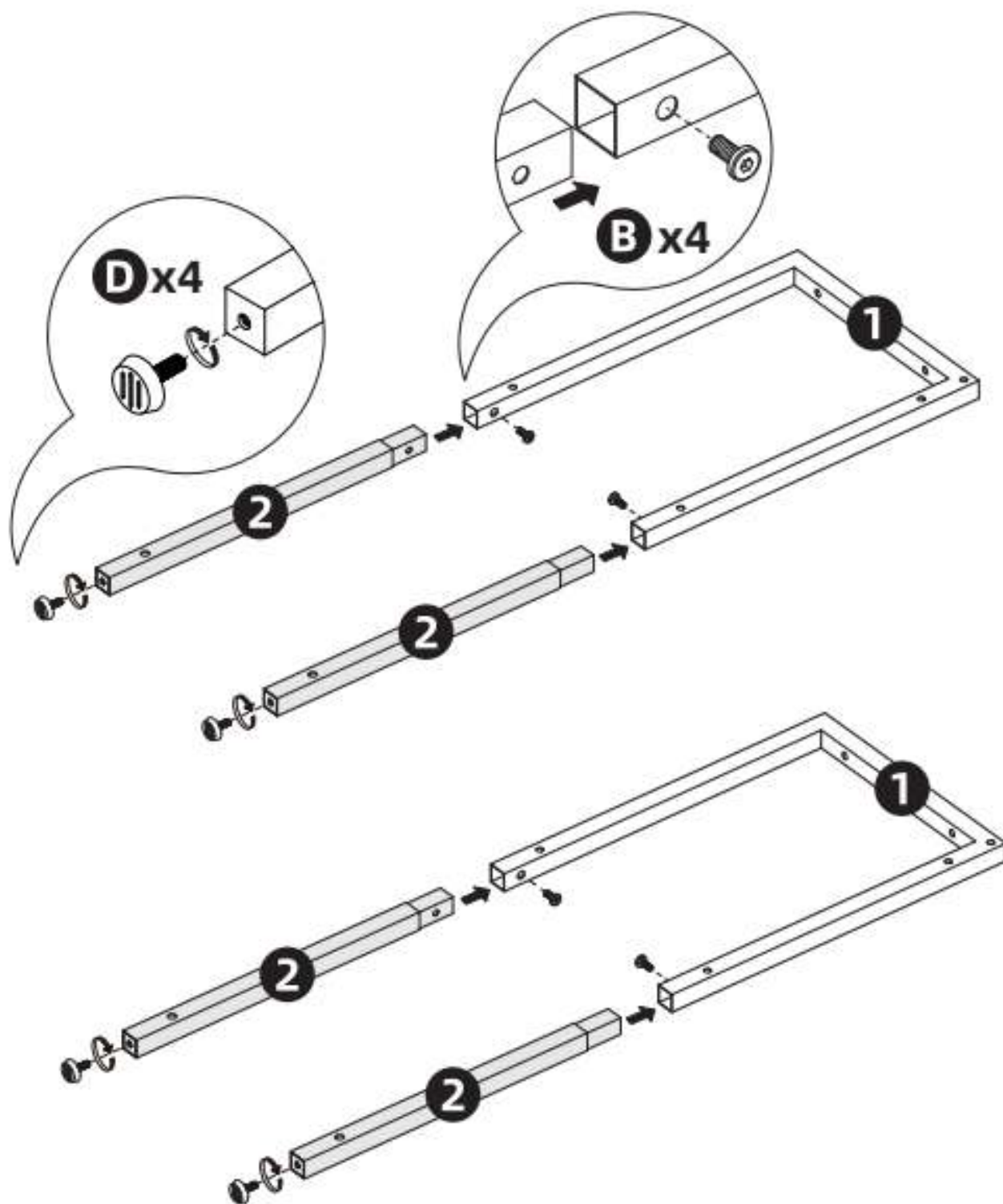
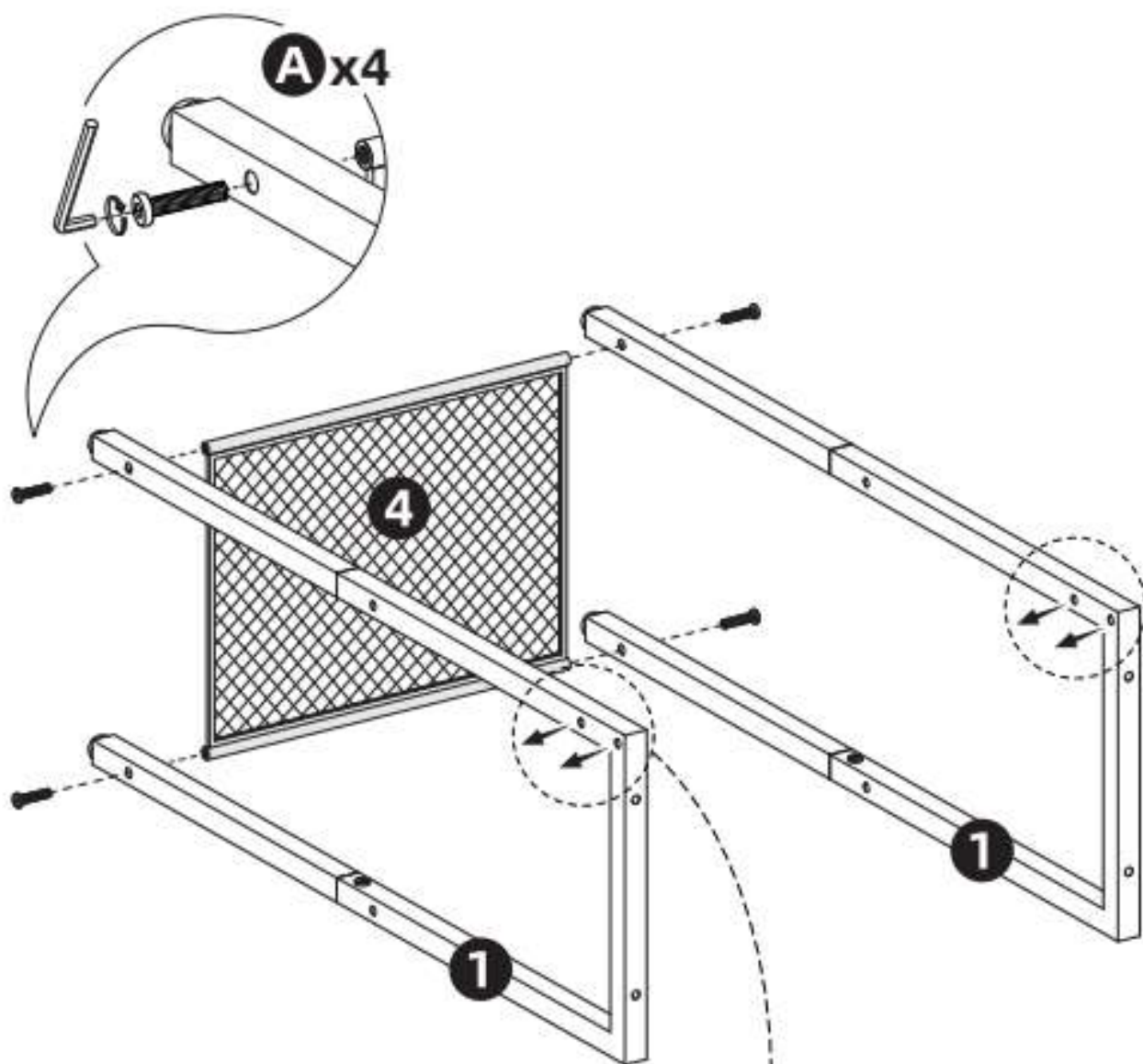



1 ATTENTION

- During assembly, first loosely align all screws with the corresponding pre-drilled holes and then tighten the screws one by one.
- Note: It is recommended to complete the assembly on flat ground or carpet.

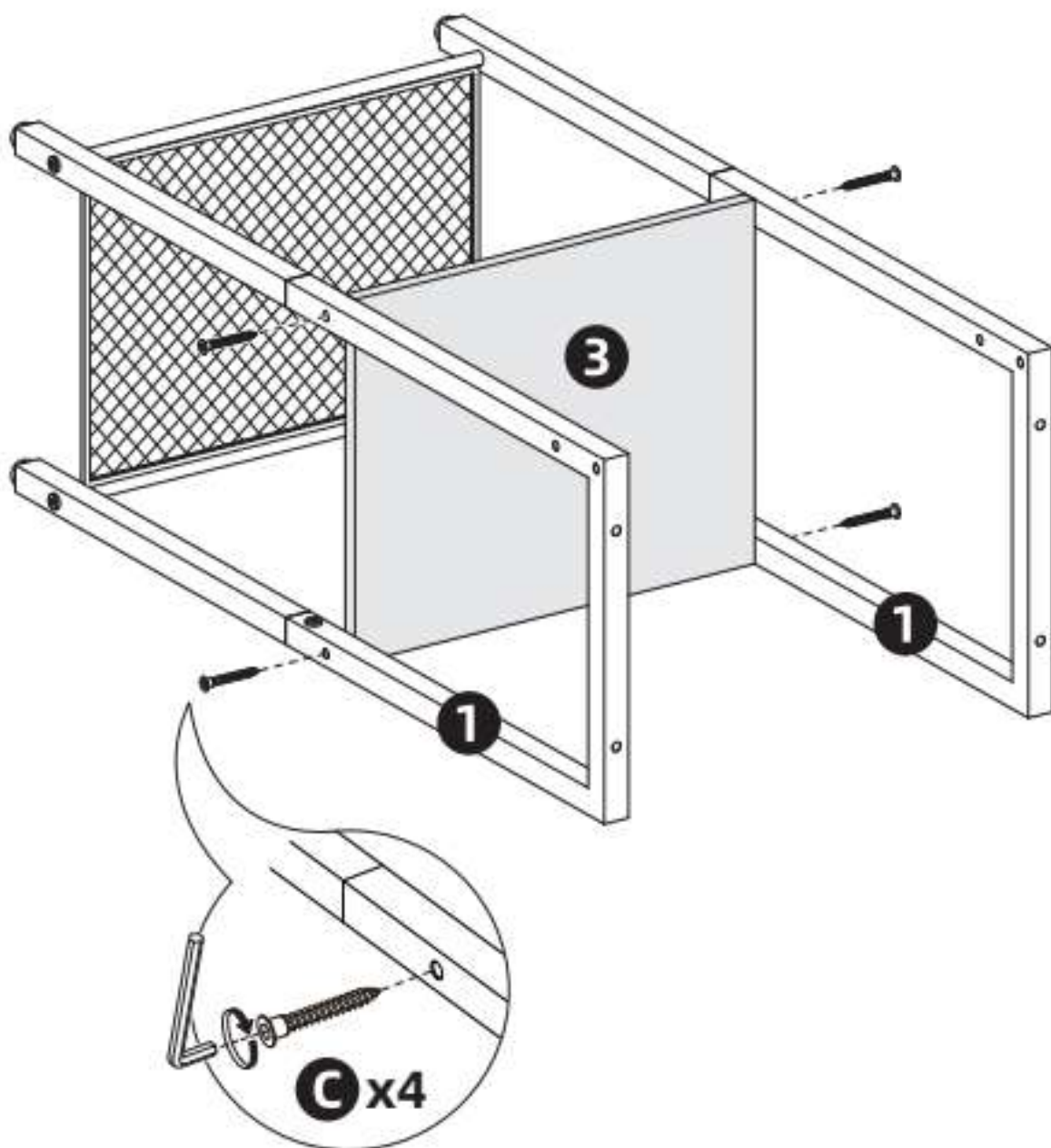


2 ATTENTION



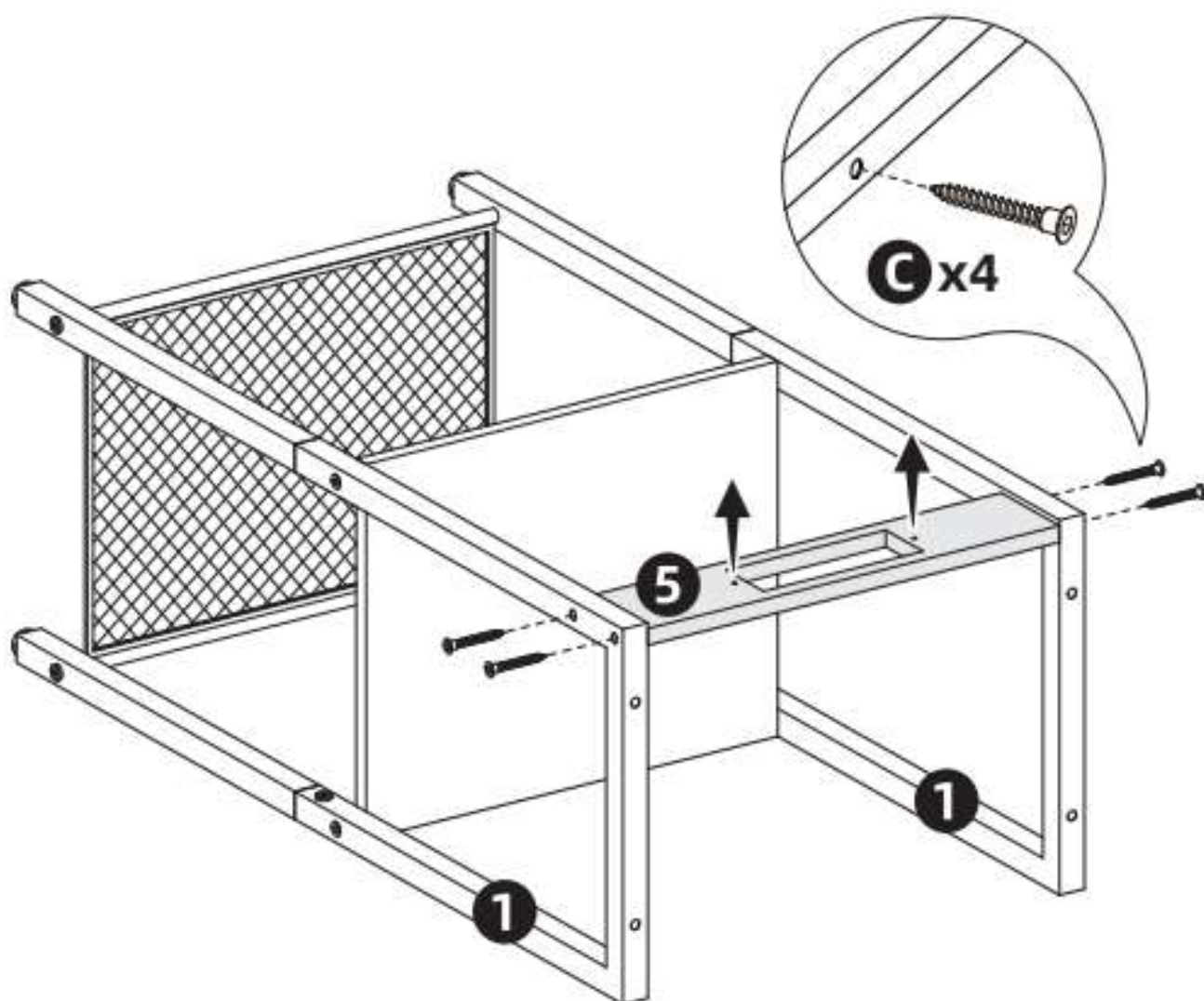
 Note the direction of the holes.

3

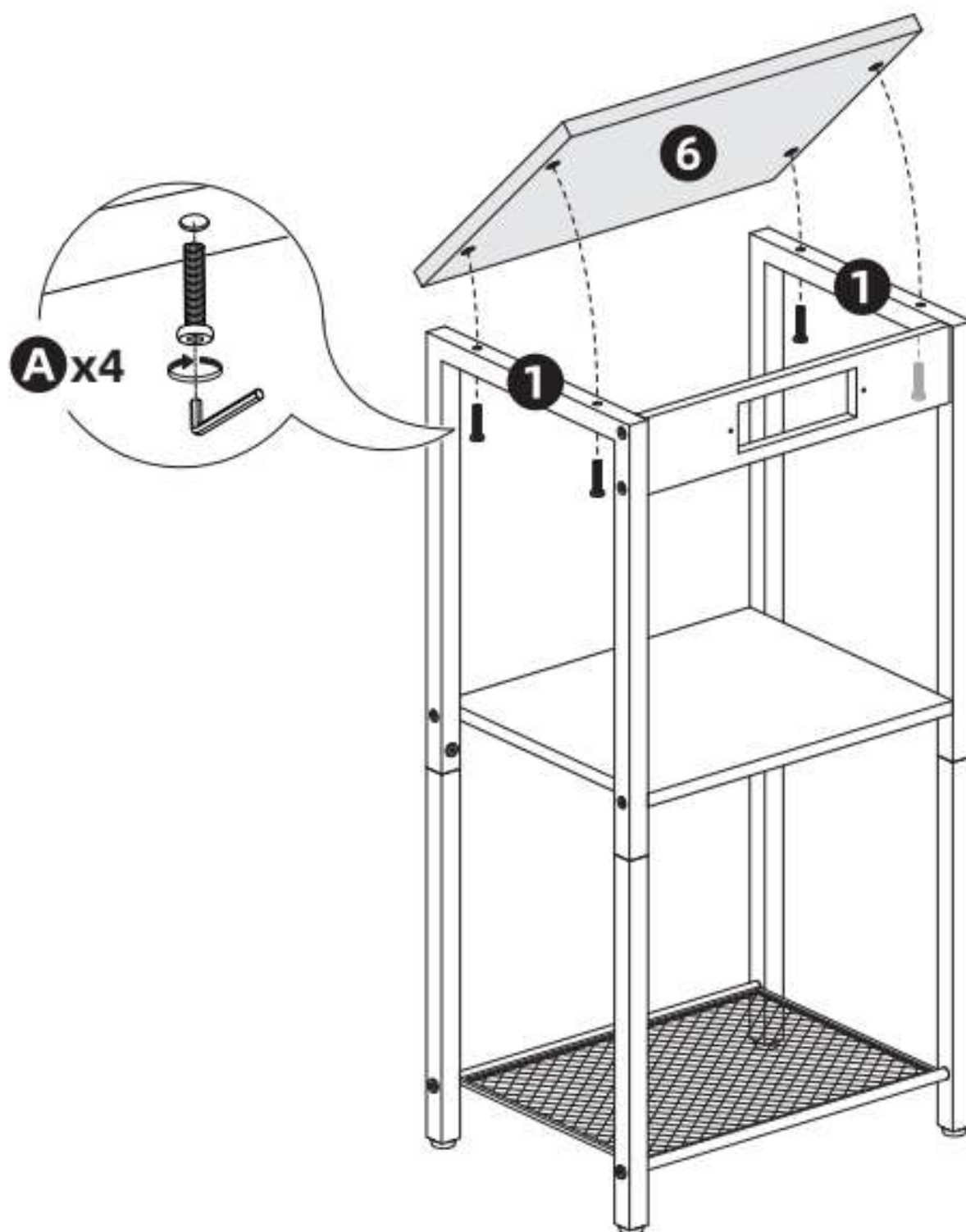


4 ATTENTION

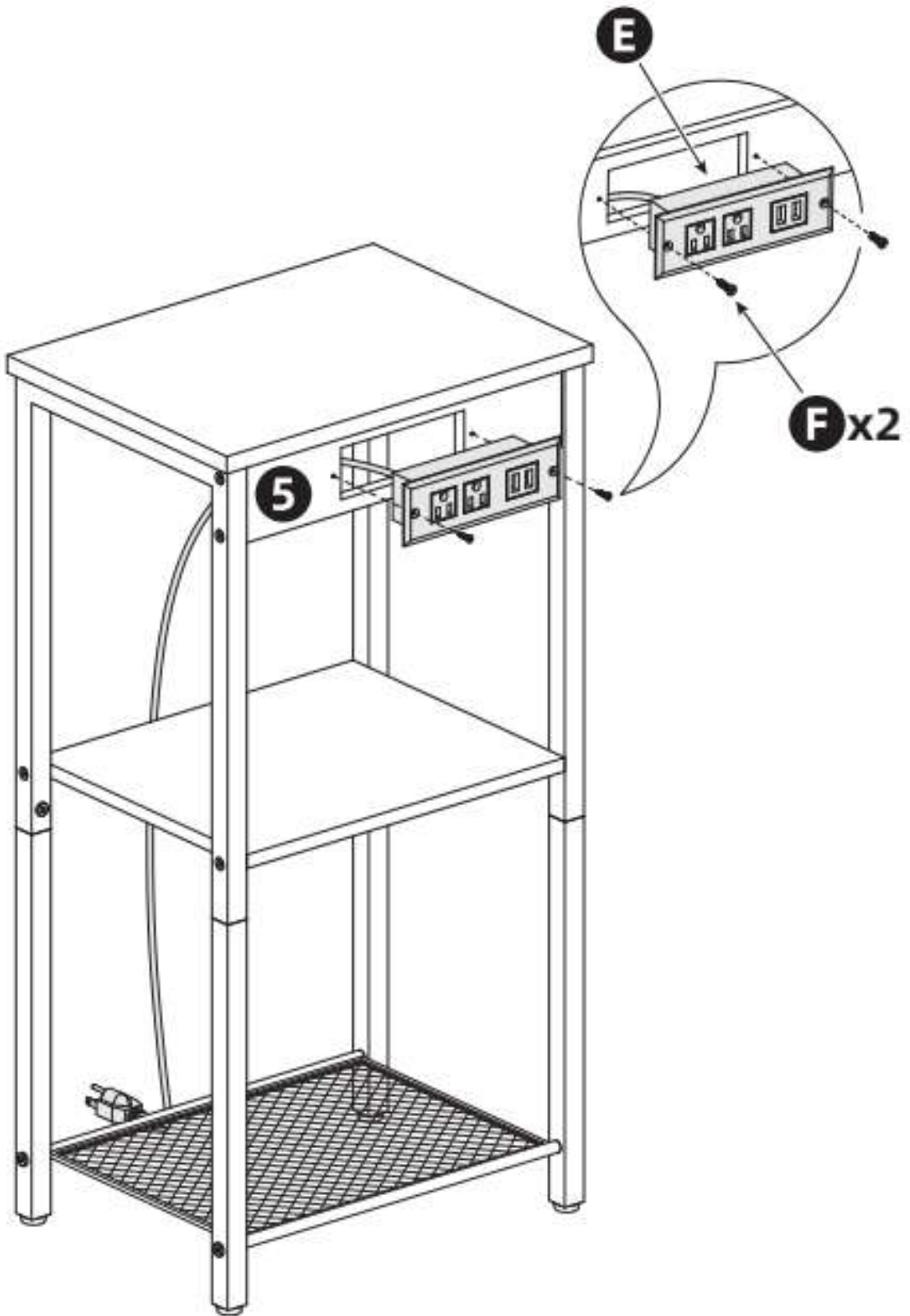
- Please note the direction of the holes .



5



6



7

