

# Premium Platform Bed Base

## Headboard Bracket Instructions Use with bolt-on headboards.

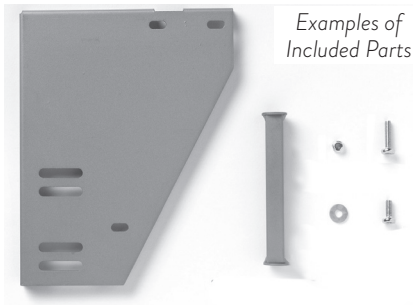
### Parts included:

(2) Headboard Brackets  
(2) Support Bars

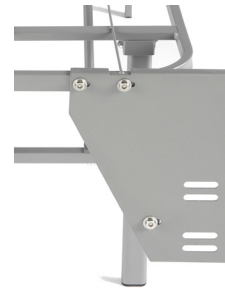
(2) Short Bolts  
(4) Nuts

(6) Long Bolts  
(10) Washers

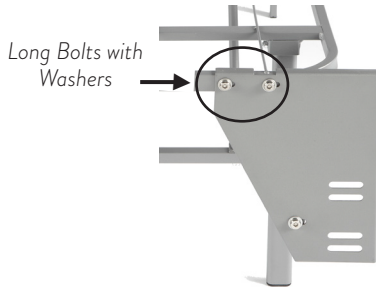
1 Remove all parts from the carton.



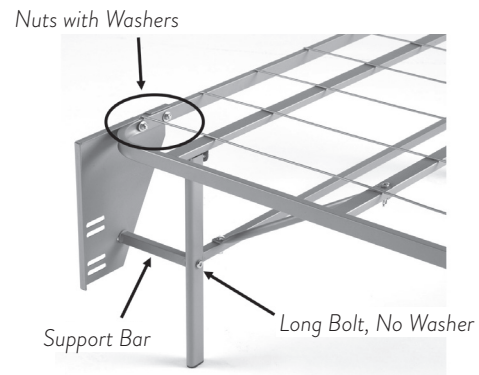
2 Align the first bracket to the top of the base at the head of the bed. The slots should be facing out.



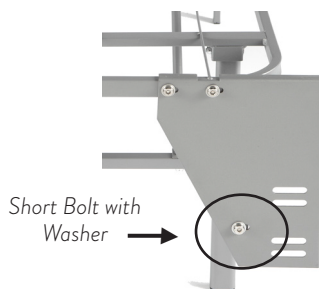
3 Attach the bracket by inserting 2 long bolts with washers into the holes at the top of the bracket and through the holes at the top of the base frame. Use nuts with washers to secure.



4 Attach the support bar to the leg of the bed base with a long bolt through the back of the leg and into the support bar. Do not use washer.



5 Attach the support bar to the bracket using a short bolt with a washer inserted through the lower hole on the bracket and into the support bar.



6 Repeat on the other side. You can now attach a bolt-on headboard to your base using the attachment hardware that came with the headboard.