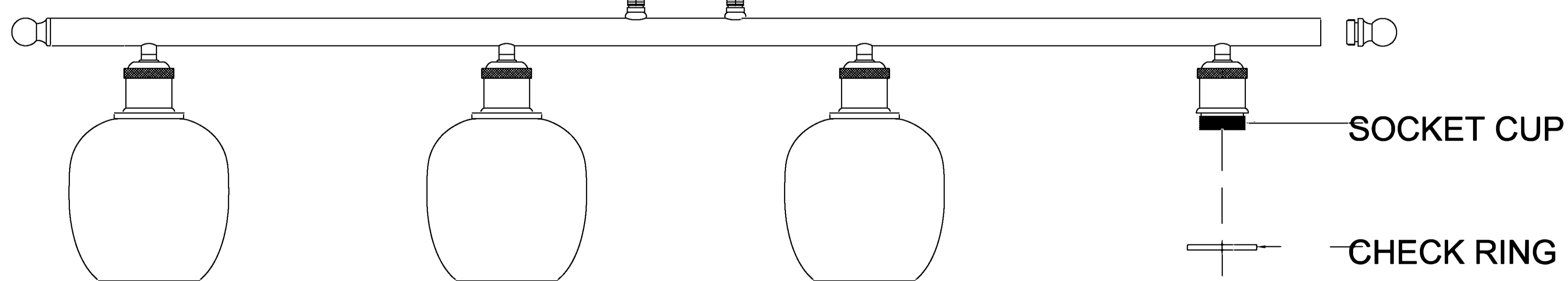


CHOOSE THE NUMBER OF STEMS NEEDED FOR THE CEILING HEIGHT, THEN FEED THE WIRES THROUGH THE STEMS, THEN SCREW SWIVEL POST TO THE TOP OF THE STEMS. PLACE THE CANOPY OVER THE THREADED POST OF THE TOP ROD. LOCK THE WASHER AND CANOPY WITH THE NUT AND THREADED POST

SCREW DECORATIVE NUT TO THE ROD

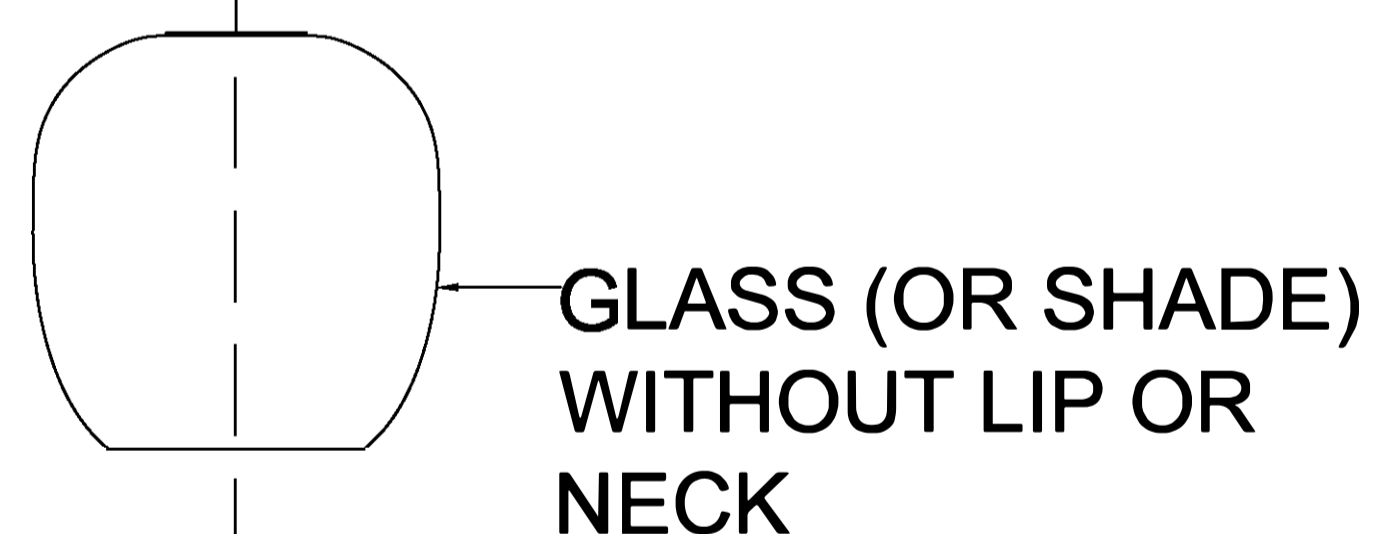


SOCKET CUP

CHECK RING

BALLSTON ASSEMBLY

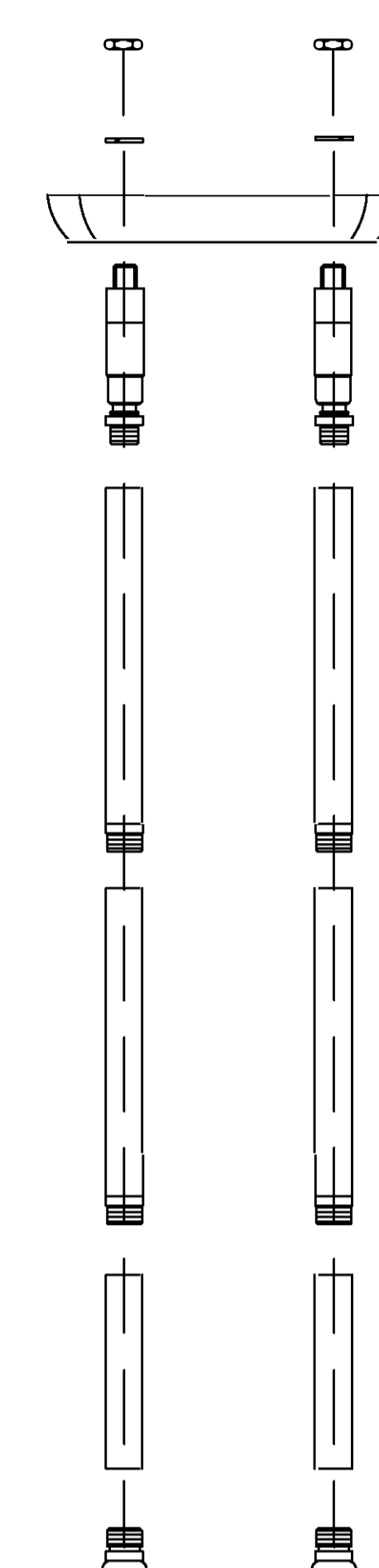
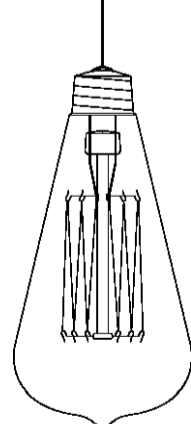
SLIDE DECORATIVE CHECK RING AND SHADE ONTO THREADED SOCKET CUP AND SECURE USING THREADED SOCKET RING. DO NOT OVER TIGHTEN THREADED SOCKET RING TO AVOID BREAKING THE GLASS



GLASS (OR SHADE) WITHOUT LIP OR NECK

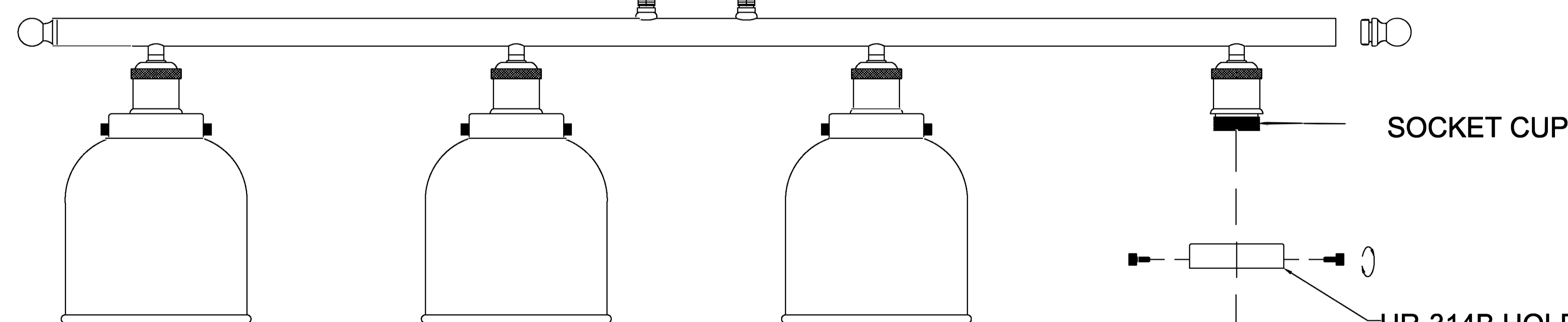
THREADED SOCKET RING

SHADE STYLE & BULB OPTIONAL IF THE GLASS YOU SELECTED DOES NOT HAVE A LIP OR NECK THE HR-314B HOLDER IS NOT NEEDED TO ATTACH THE GLASS --- PLEASE DISCARD IT



CHOOSE THE NUMBER OF STEMS NEEDED FOR THE CEILING HEIGHT, THEN FEED THE WIRES THROUGH THE STEMS, THEN SCREW SWIVEL POST TO THE TOP OF THE STEMS. PLACE THE CANOPY OVER THE THREADED POST OF THE TOP ROD. LOCK THE WASHER AND CANOPY WITH THE NUT AND THREADED POST

SCREW DECORATIVE NUT TO THE ROD

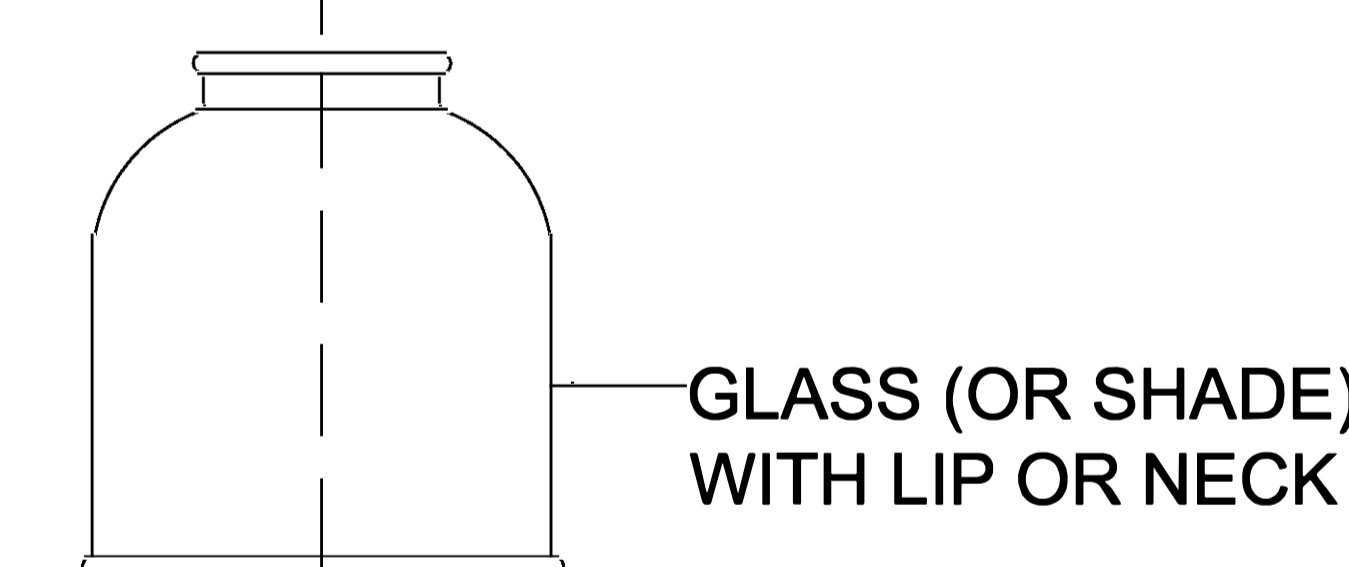


SOCKET CUP

HR-314B HOLDER

BALLSTON URBAN ASSEMBLY

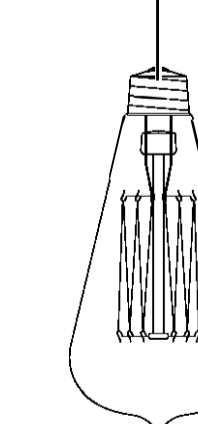
ATTACH THE HR-314B HOLDER TO THREADED SOCKET CUP USING THREADED SOCKET RING SLIDE SHADE INTO THE HR-314B HOLDER TIGHTEN THE (3) THUMB, TIGHTEN THE (3) THUMB SCREWS EVENLY TO HOLD GLASS IN PLACE DOT NOT OVER TIGHTEN THUMB SCREWS TO AVOID BREAKING THE GLASS



GLASS (OR SHADE) WITH LIP OR NECK

THREADED SOCKET RING

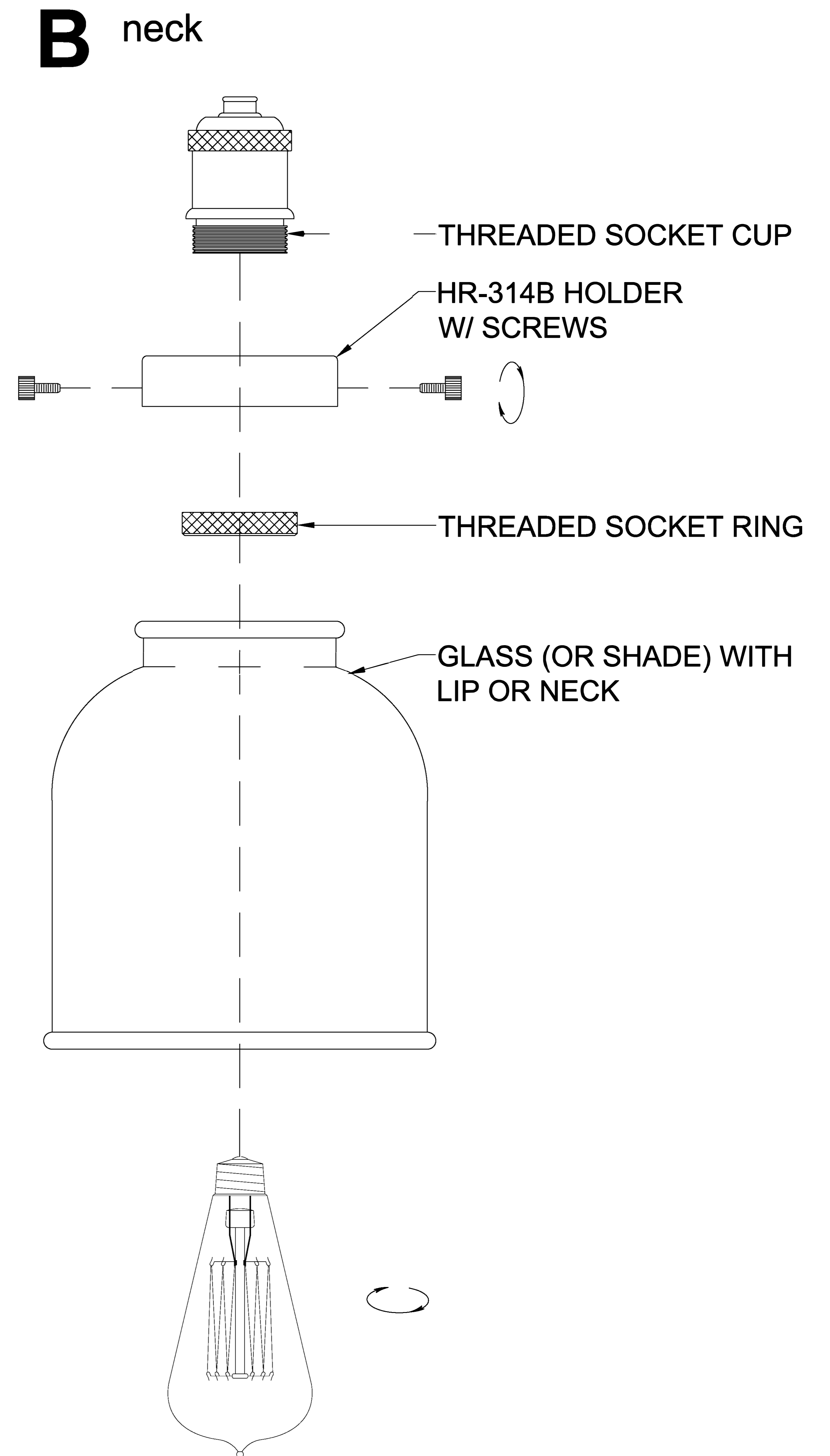
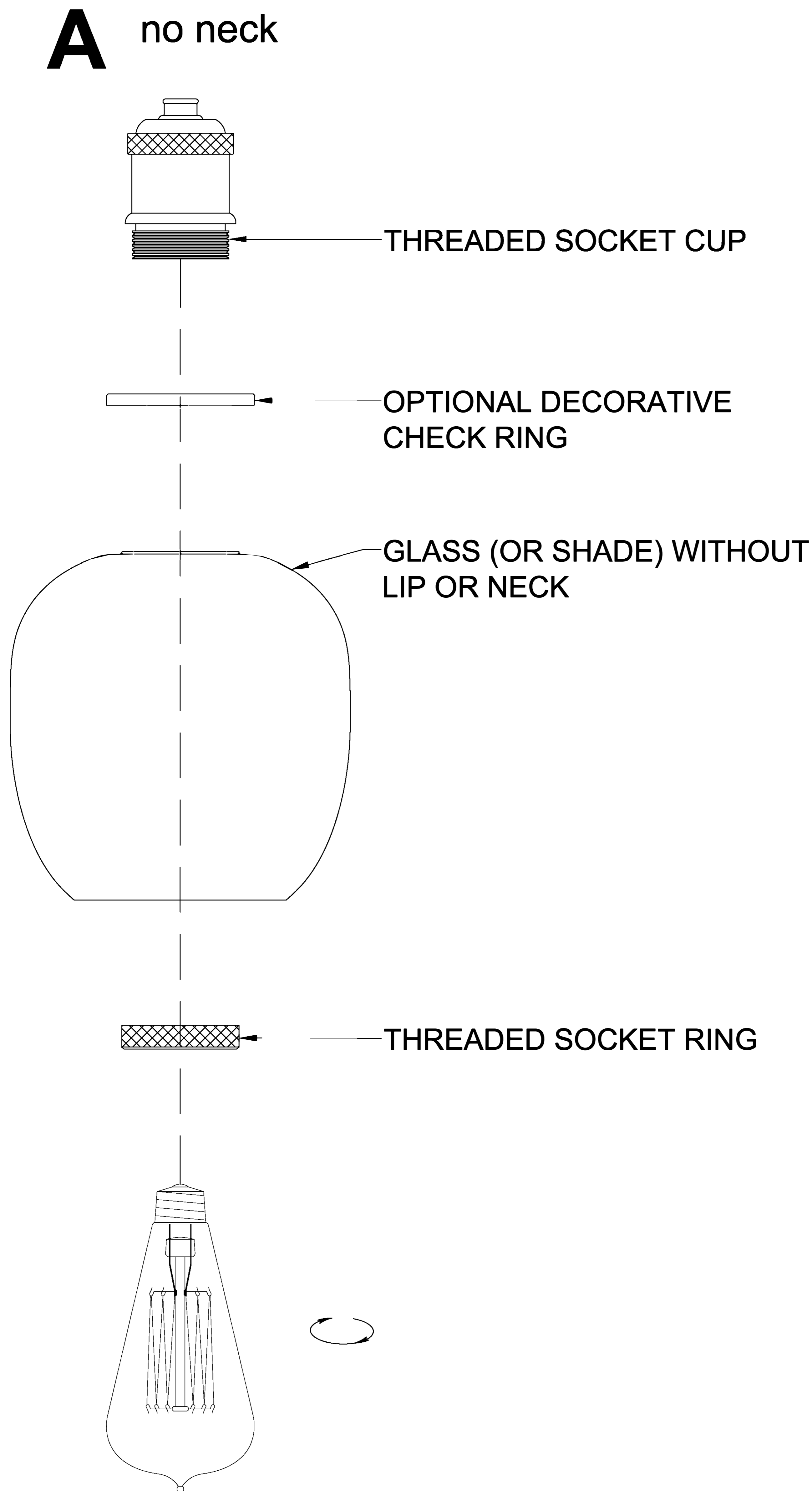
SHADE STYLE & BULB OPTIONAL IF THE GLASS YOU SELECTED HAS A LIP OR NECK THE HR-314B HOLDER IS NEEDED TO ATTACH THE GLASS



THANK YOU FOR PURCHASING A FIXTURE FROM OUR BALLSTON COLLECTION

Please **FIRST** take a look at your glass/metal shade to see if it looks like A (no neck) or B (with a neck)
YOU WILL FIND BOTH THE CHECK RING (for A - which might not be needed depending on the thickness of the glass)
AND the HOLDER with screw (FOR B)

Please continue to follow the below graphic illustration as shown.
WE ENCOURAGE YOU TO SAVE THE EXTRA PART. You might decide to change your glass and will need it in the future
(instead of replacing the entire fixture for a new look)



Glass Assembly (glass without lip or neck)

SLIDE OPTIONAL DECORATIVE CHECK RING AND SHADE ONTO THREADED SOCKET CUP AND SECURE USING THREADED SOCKET RING

DO NOT OVER TIGHTEN THREADED SOCKET RING TO AVOID BREAKING THE GLASS OR METAL SHADE

THIS ASSEMBLY DOES NOT USE HR-314B HOLDER.

Glass Assembly (glass with lip or neck)

ATTACH THE HR-314B HOLDER TO THREADED SOCKET CUP USING THREADED SOCKET RING,

SLIDE SHADE INTO THE HR-314B HOLDER, TIGHTEN THE (3) THUMB SCREWS EVENLY TO HOLD SHADE IN PLACE

DO NOT OVER TIGHTEN THUMB SCREWS TO AVOID BREAKING THIS GLASS OR METAL SHADE

THIS ASSEMBLY DOES NOT USE DECORATIVE CHECK RING. (might not be needed if glass is thick)

STANDARD MOUNTING PLATE INSTALLATION INSTRUCTIONS

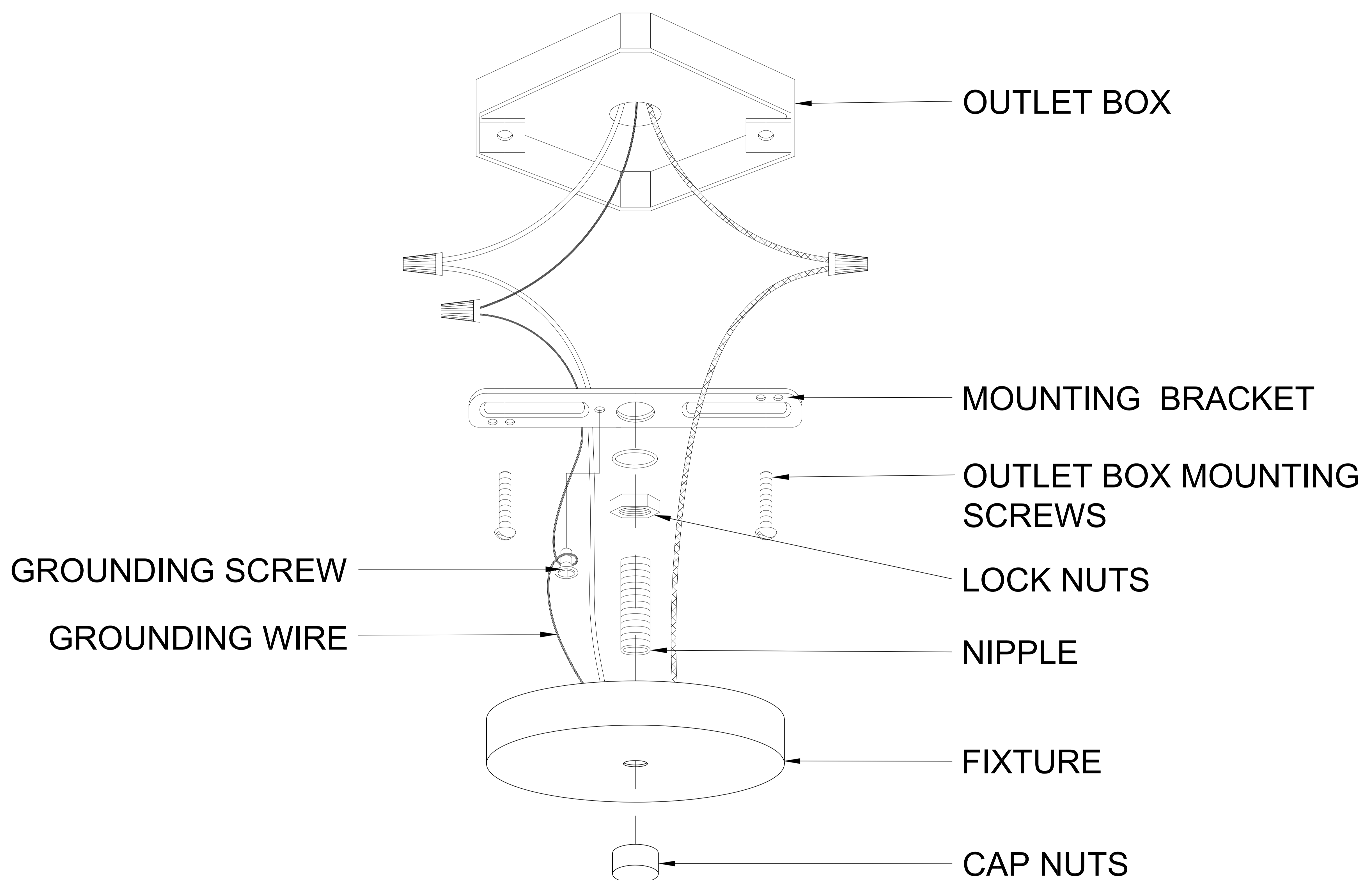
FOR YOUR SAFETY WARNING

Risk of Fire, Consult a qualified electrician to ensure correct branch circuit conductor.

Turn off the main power at the circuit breaker before installing the fixture in order to prevent possible shock.

General

All electrical connections must be in accordance with local and National Electrical Code (N.E.C.) standards. If you are unfamiliar with proper electrical wiring connections obtain the services of a qualified electrician. Remove the fixture and the mounting package from the box and make sure that no parts are missing by referencing the illustration.



CAUTION: DISCONNECT POWER DURING INSTALLATION

- 1.) If you are replacing an existing fixture, disconnect and remove the old fixture. Expose the supply wiring from the outlet box.
- 2.) Thread the nipple into the opposite side of the mounting bracket from the green ground screw, lock the machine screws into place with lock nuts.
- 3.) Fasten the mounting bracket to the outlet box using the two box screws supplied with the outlet box.
- 4.) Spread the electrical wires so that the black wires are on one side of the outlet box and the white wires are on the other side.
- 5.) Grounding instructions:
 - A.) On fixtures where mounting bracket is provided with a green ground screw and two raised dimples, Wrap ground wire from outlet box around green ground screw and tighten.
 - B.) On fixtures where mounting bracket is provided with a green ground wire attached. Connect mounting bracket ground wire to ground wire from outlet box with wire connector(not provided).
- 6.) To make electrical connections: Connect the white wire(s) from the fixture to the white wire of this outlet box. Connect the black wire(s) from the fixture to the black wire of the outlet box. NOTE: Black wire from outlet box may be red, round & smooth and/or have copper conductor. White wire from outlet box may be square & ridged and/or have a silver conductor. After wires are connected, tuck them carefully inside outlet box.
- 7.) Place fixture against mounting bracket allowing the machine nipple to pass through the fixture canopy. Secure with cap nuts.