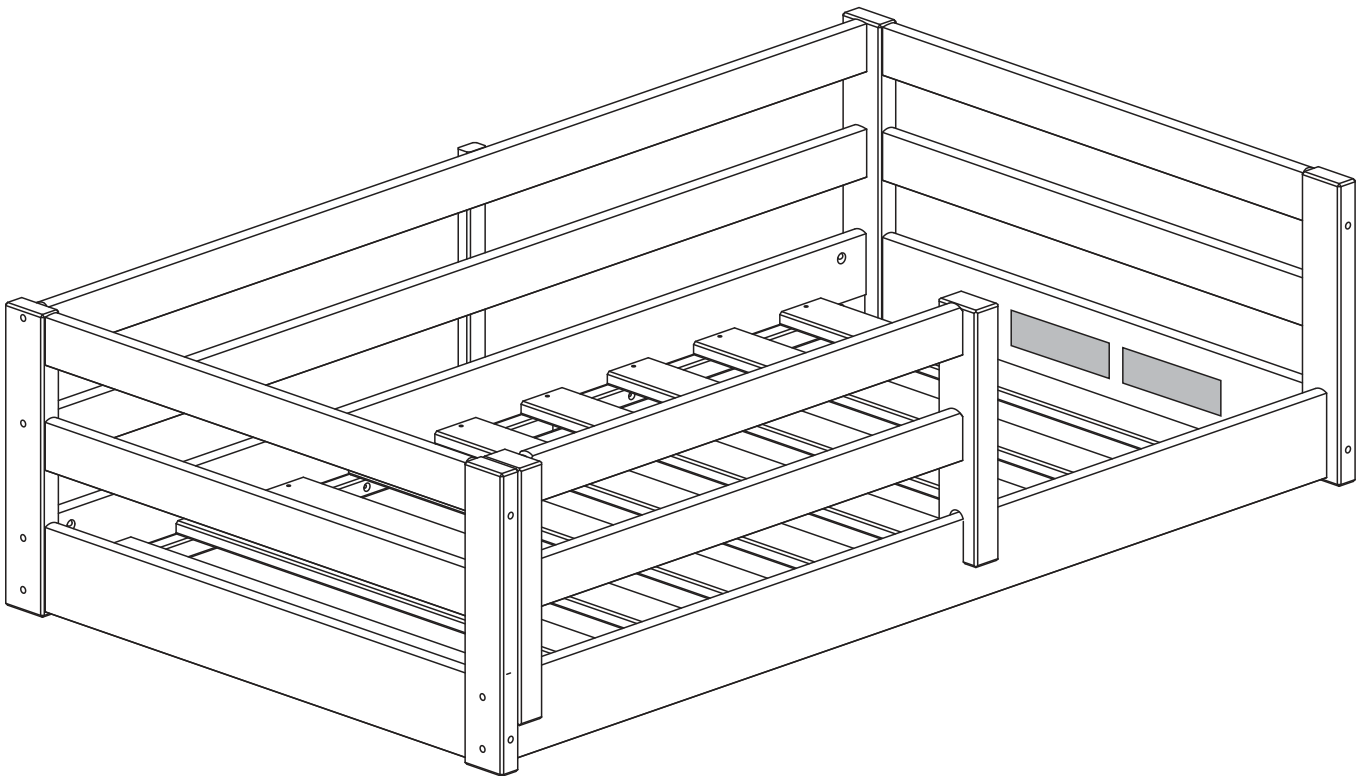


TODDLER GUARDRAILS BED



ASSEMBLY INSTRUCTIONS

SAFETY WARNINGS!

- Failure to follow these warnings and the assembly instructions could result in serious injury or death.
- Read all instructions before assembling. Keep instructions for future use.
- Upon completion of assembly, make sure all screws, bolts and fasteners have been securely tightened.
- A frequent and periodically check should be made to confirm all the screws and nuts remain tight.
- Never use this product if there are any loose, missing fasteners, loose joints, broken parts, or torn mesh/fabric.

Contact us for replacement parts and instructional literature if needed.

- Never substitute parts, the product including side rails, must be fully erected prior to use.
- Never use bed for infants, this toddler bed is not a substitute for a crib, the toddler bed is used for a child between the age of 15 months to 5 years with a maximum weight of 50 pounds
- Never use plastic shipping bag or other plastic film as a mattress covers not sold and intended for that purpose, they can cause suffocation.
- Caution entrapment hazard: to avoid dangerous gaps, any mattress used in this bed shall be full size crib mattress at least 51 5/8 in (1310mm) in length, 27 1/4 in (690mm) in width and 5 in (127mm) in thickness, or greater, but not exceed 6 in. (150mm).

- Never use a water mattress with this toddler bed.

- **Warning** strangulation hazard: strings can cause strangulation!

Never place bed near window where cords from blinds or drapes may strangle a child. Never suspend strings over bed.

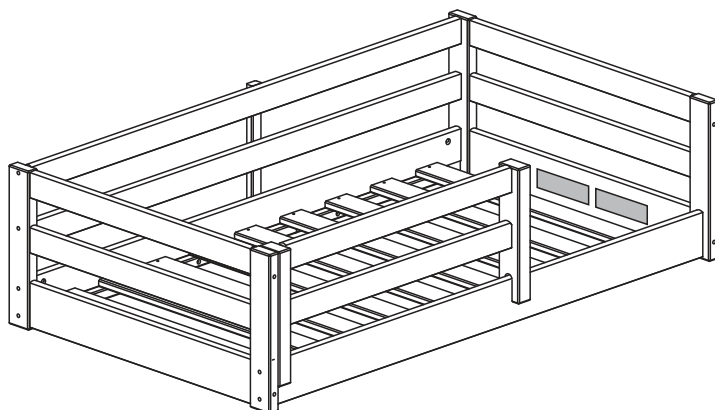
Never place items with a string cord, or ribbon, such as hood strings, pacifier cords around a child's neck. These items may catch on bed parts.

- **Warning:** infants have died in toddler beds from entrapment. Openings in and between bed parts can entrap head and neck of a small child. Never use bed with children under 15 months. Always follow the assembly instructions.

- To reduce the risk of sids, pediatricians recommend healthy infants be placed on their back to sleep, or advised by your physician.

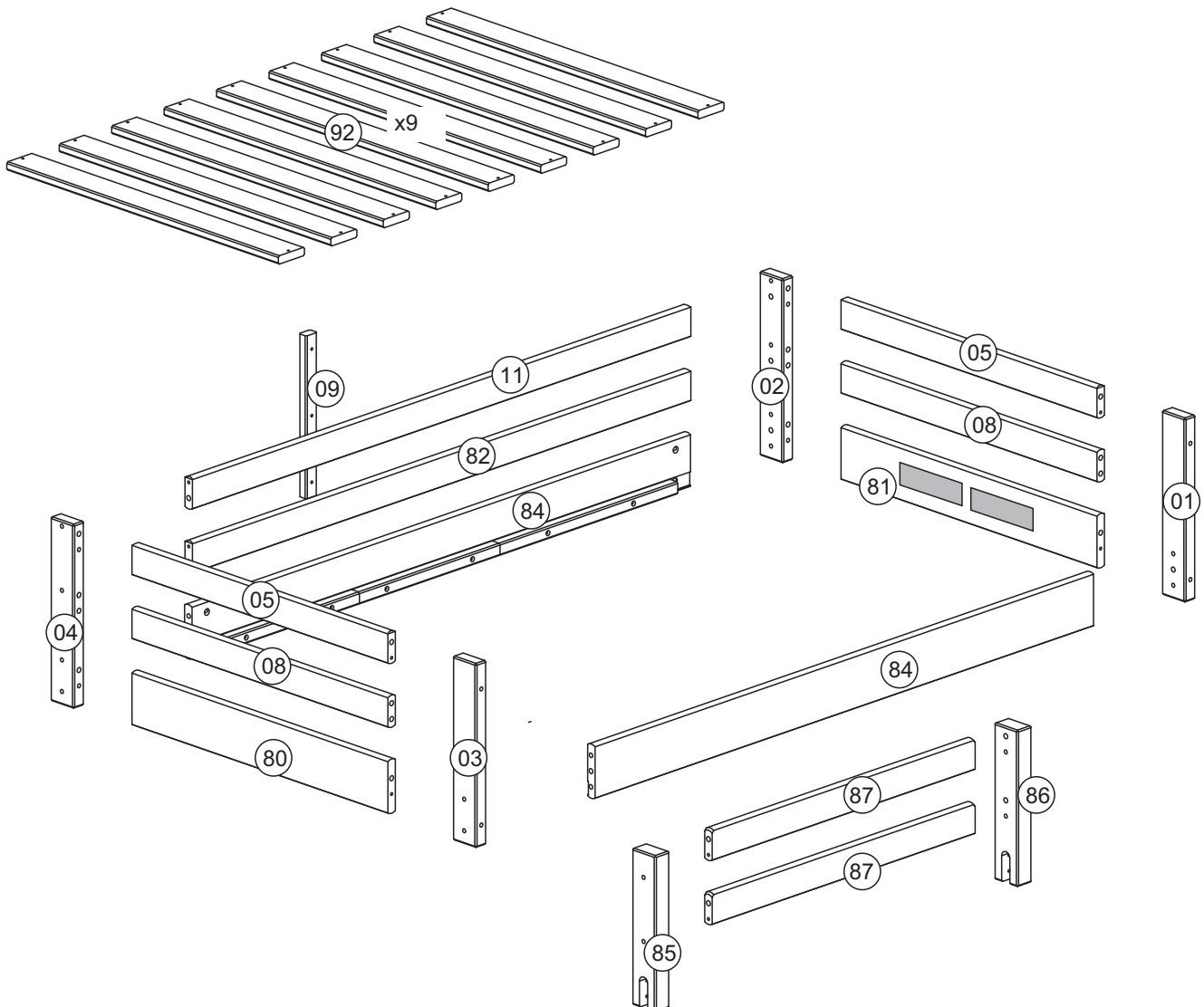
- Do not use bed if the space between bed and solid objects is less than 12in(31cm), a child could slide into the space and suffocate.

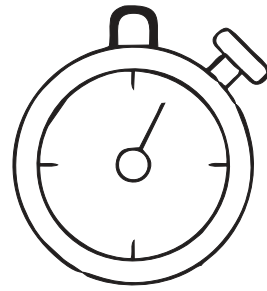
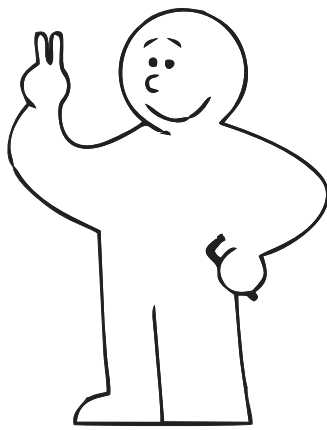
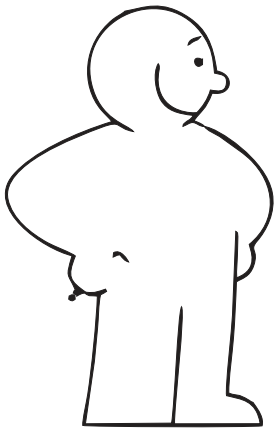
- If refinishing, use a non-toxic finish specified for children's products. To wash, clean with mild soap and damp cloth. To store, please keep in a cool place.



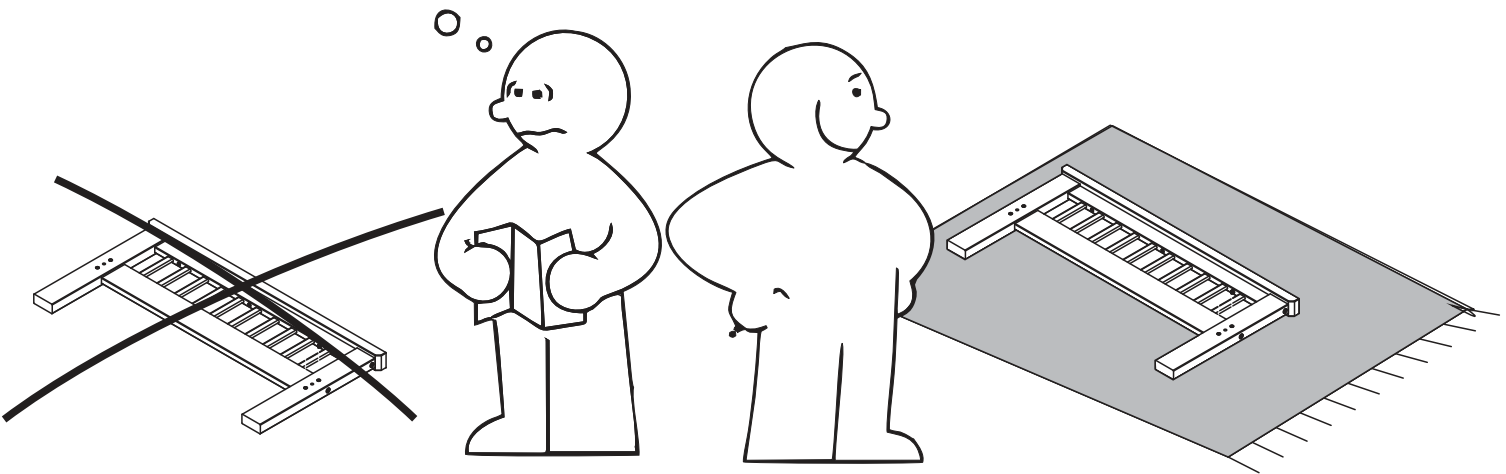
IMPORTANT: PLEASE READ INSTRUCTIONS BEFORE STARTING THE ASSEMBLY

Part	Description	Dimensions (in)	Qty.
01	Right foot	14,68 x 2,48	01
02	Left foot	14,68 x 2,48	01
03	Right foot	14,68 x 2,48	01
04	Left foot	14,68 x 2,48	01
05	Rail	27,09 x 2,56	02
08	Rail	27,09 x 2,56	02
09	Support	12,99 x 1,18	01
11	Rail	52,76 x 2,56	01
81	Large rail	27,09 x 4,33	01
80	Large rail	27,09 x 4,33	01
82	Rail	52,76 x 2,56	01
84	Side rails	52,76 x 4,33	02
85	Support	12,48 x 2,48	01
86	Support	12,48 x 2,48	01
87	Rail	25,28 x 2,56	02
92	Slats	28,74 x 2,76	09

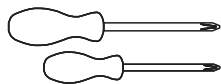
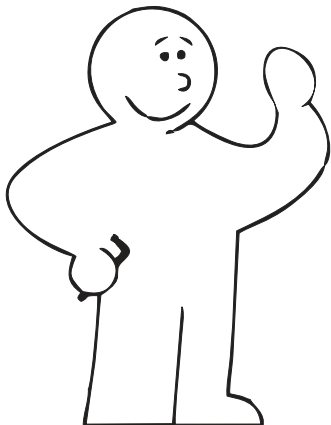




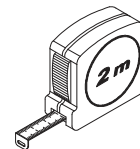
60 Min



Tools required



Phillips screwdriver
(medium & large)



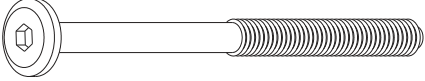
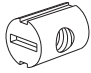
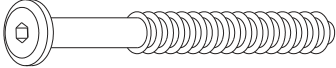

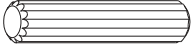

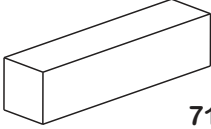

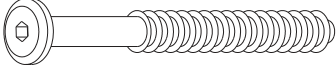
Ruler/tape
measure



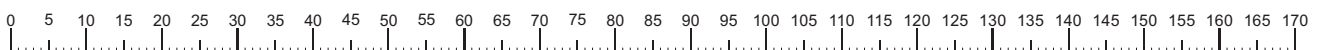
Small
hammer



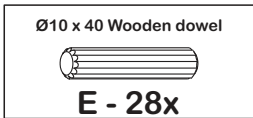
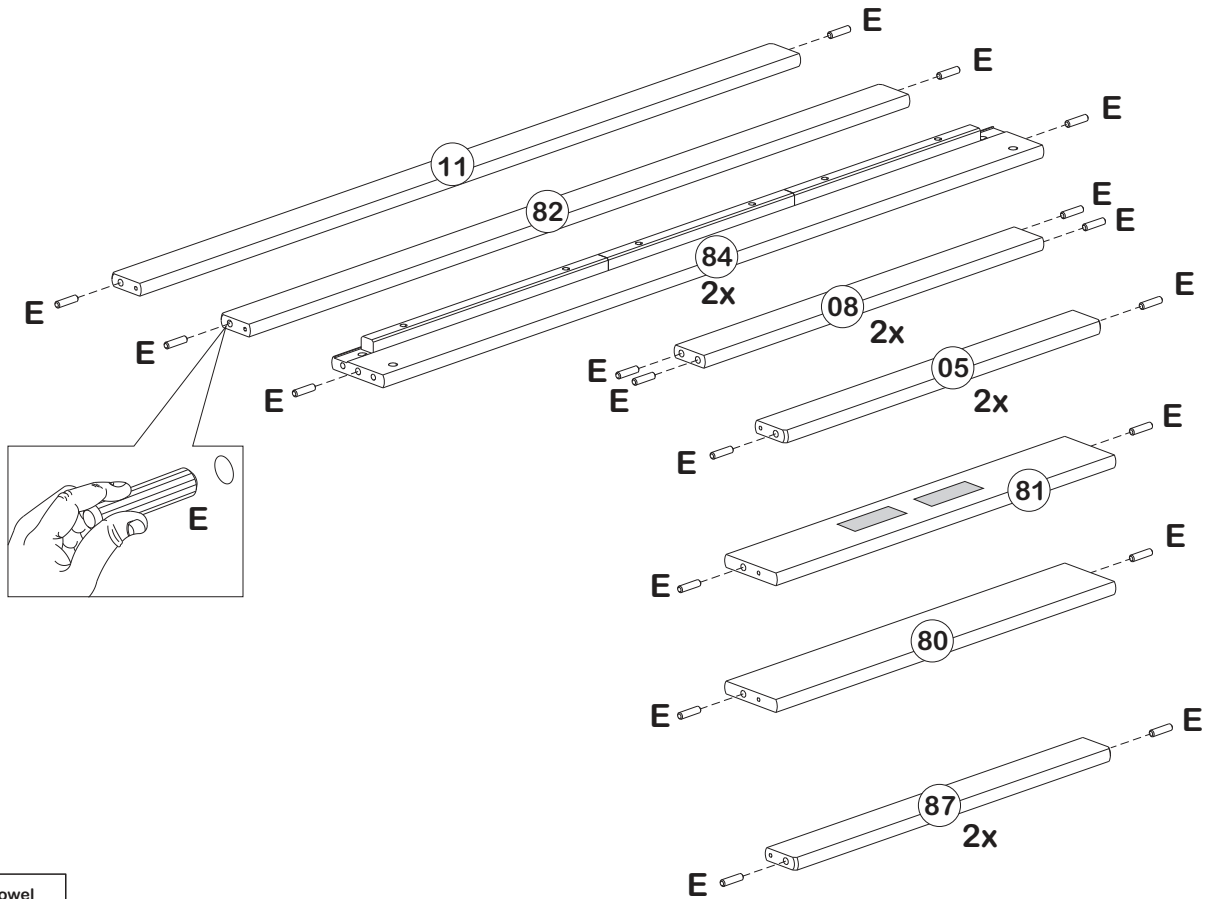
Eye protection
(when using a
hammer or glue)

A	 1/4 X 80 X 17mm Bolt	08
B	 1/4 Nut	08
C	 Ø7 X 80 X 17mm Bolt	04
D	 Ø7 X 100 X 17mm Bolt	08
E	 Ø10 X 40mm Wooden dowel	28
F	 Ø4,0 X 35mm Screw	25
G	 71mm Wood Block	02
H	 ALLEN KEY	01
J	 Ø7 X 70 X 17mm Bolt	04

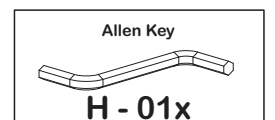
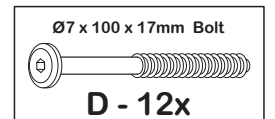
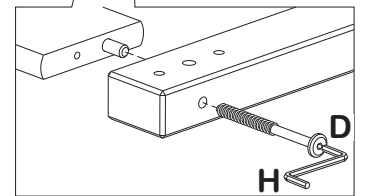
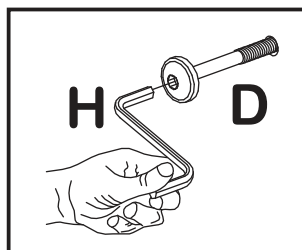
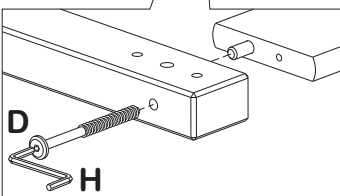
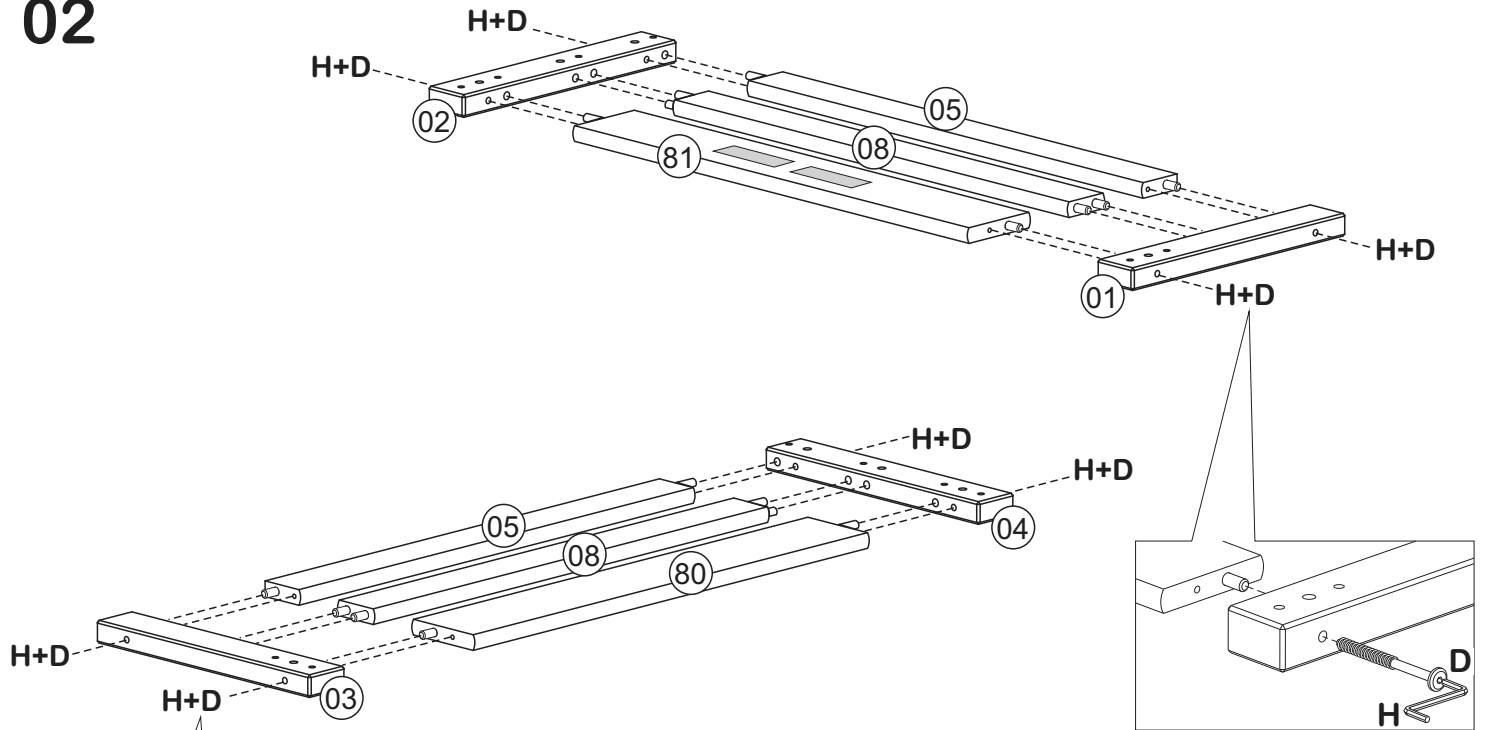
Ruler - Use this ruler to help correctly identify the screws



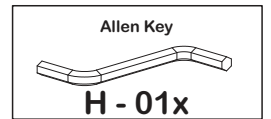
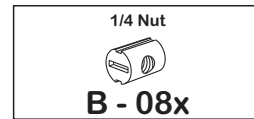
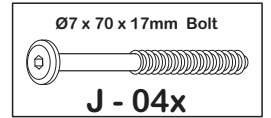
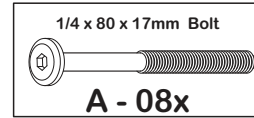
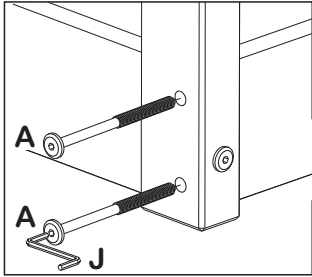
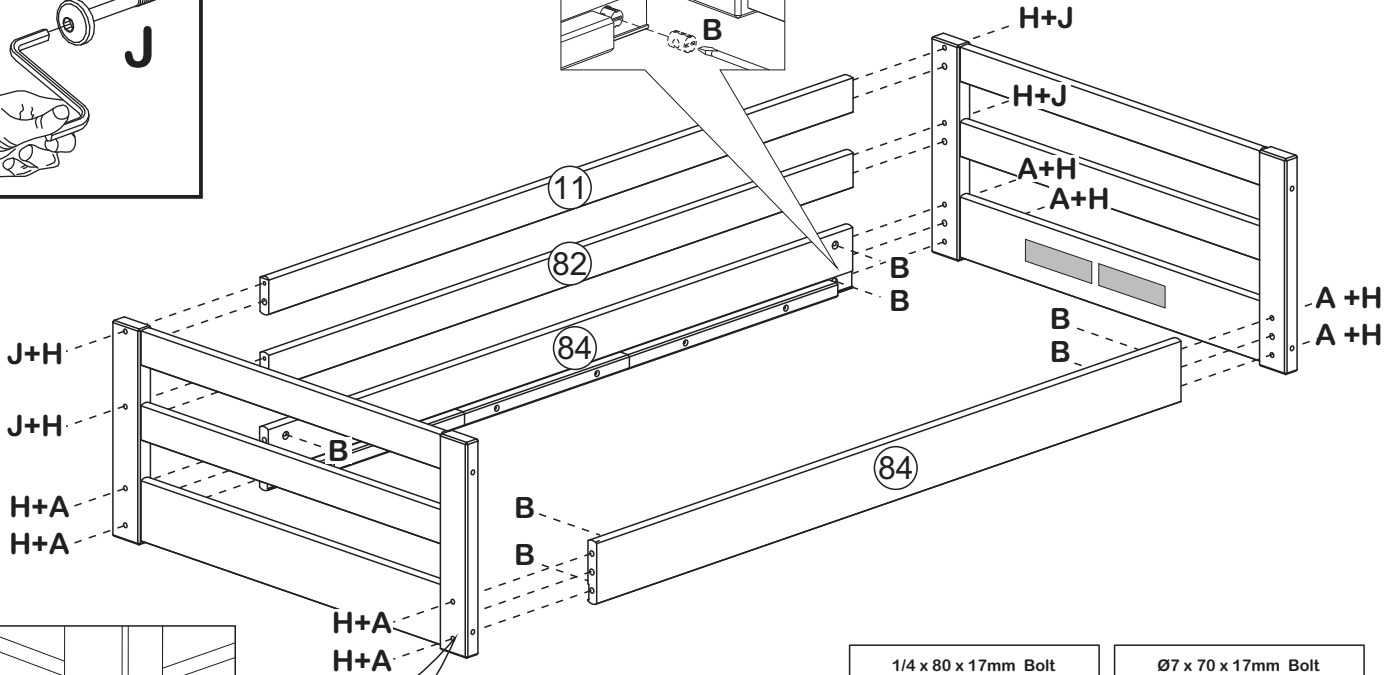
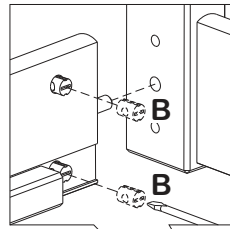
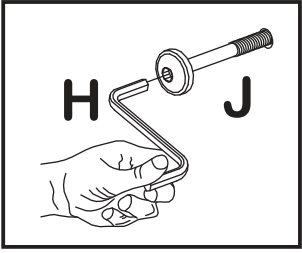
01



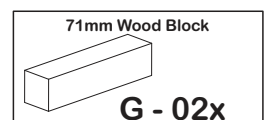
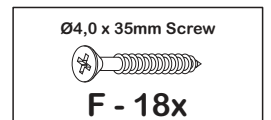
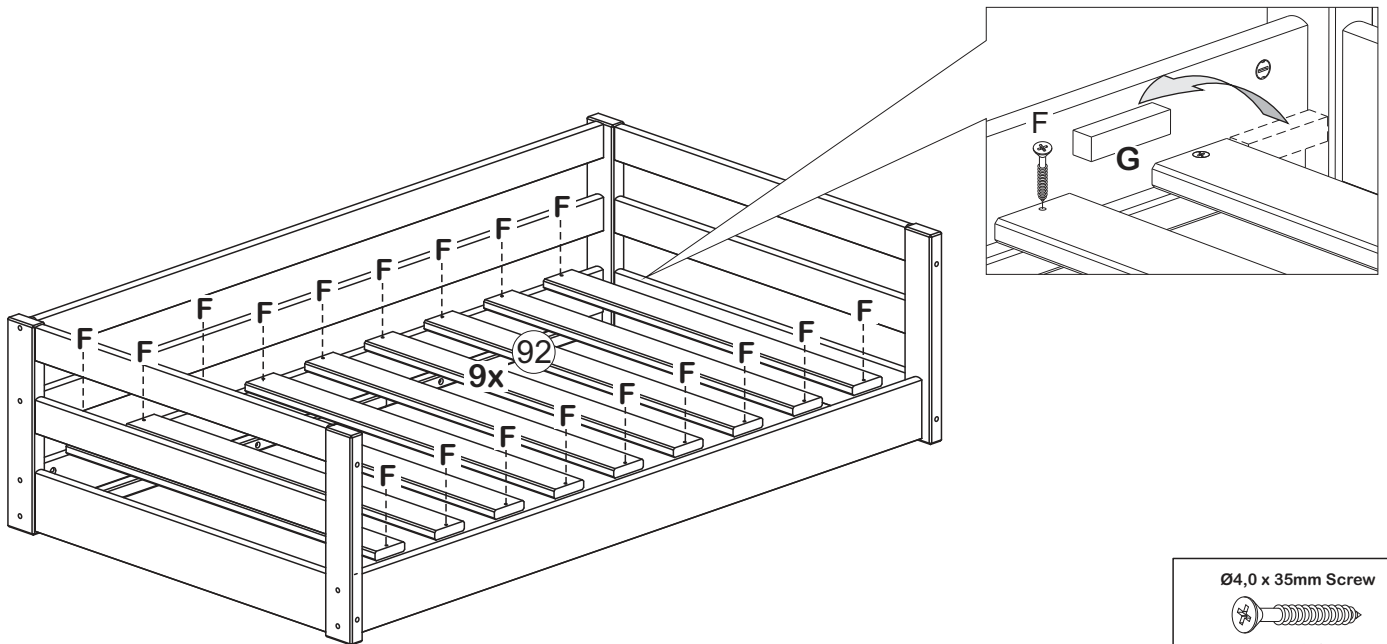
02



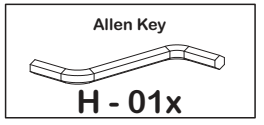
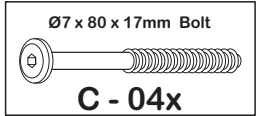
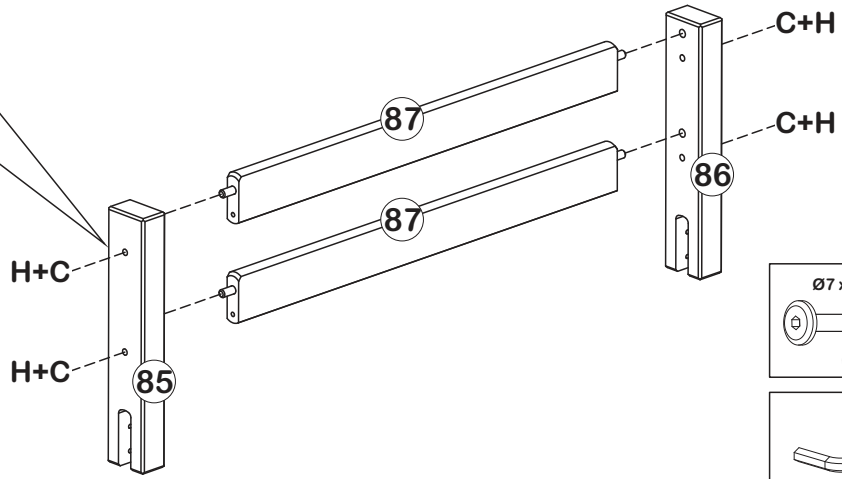
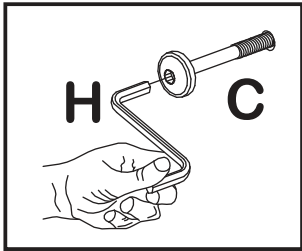
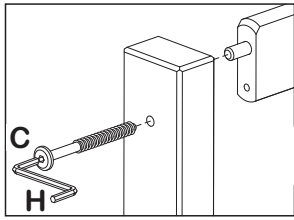
03



04



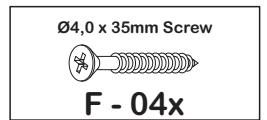
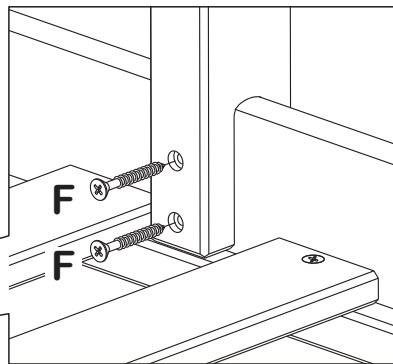
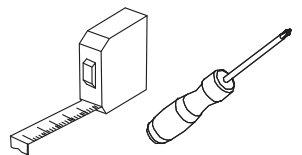
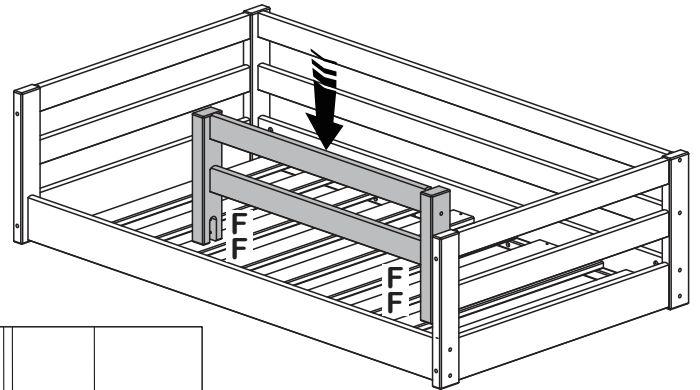
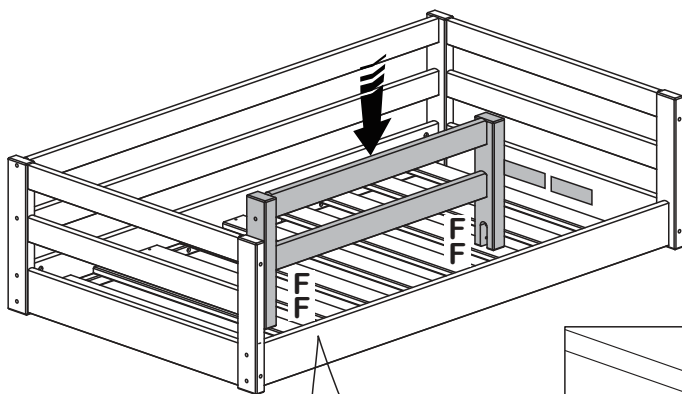
05



06

Option 01

Option 02



07

