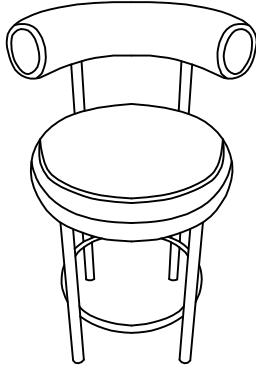


ASSEMBLY INSTRUCTIONS



+ Do Not Use PowerTools



+ Suggested Adults



NOTE:

- 1 Read instructions cover to cover.
- 2 Save all packaging until assembly is completed.

1 IMPORTANT SAFETY INFORMATION

Do not assemble the product if any of the following parts arrived damaged:

- Part ① Chair back
- Part ② Cushion
- Part ③ Upper leg frame
- Part ④ Lower leg frame
- Part ⑤ Foot rest

Do not assemble if any of the following Hardware parts are missing:

- Part A Bolt 1/4"*1-1/2"
- Part B Spring washer 1/4"
- Part C Flat washer 1/4"
- Part D Allen wrench 1/4"

2 IMPORTANT ASSEMBLY INFORMATION

Assembly Step If loosening persists, Please make sure to tighten all the bolts periodically, or use a thread locker adhesive.

+ Parts Included

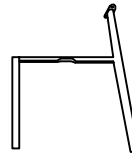
- ① Chair back
1PC



- ② Cushion
1PC



- ③ Upper leg frame
1PC



- ④ Lower leg frame
1PC



- ⑤ Foot rest
1PC



+ Hardware Included

- A Bolt 1/4"*1-1/2"
13PCS



- B Spring washer 1/4"
9PCS



- C Flat washer 1/4"
9PCS

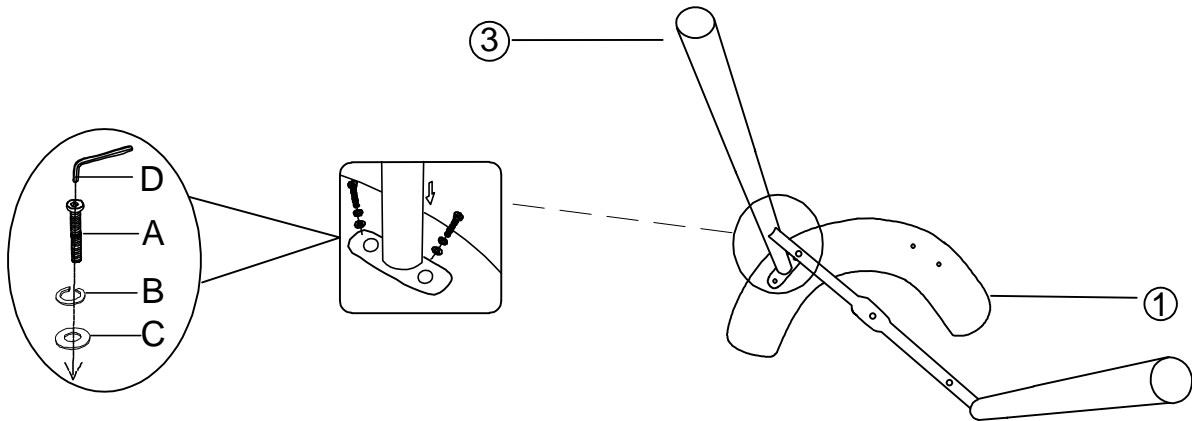


- D Allen wrench 1/4"
1PC



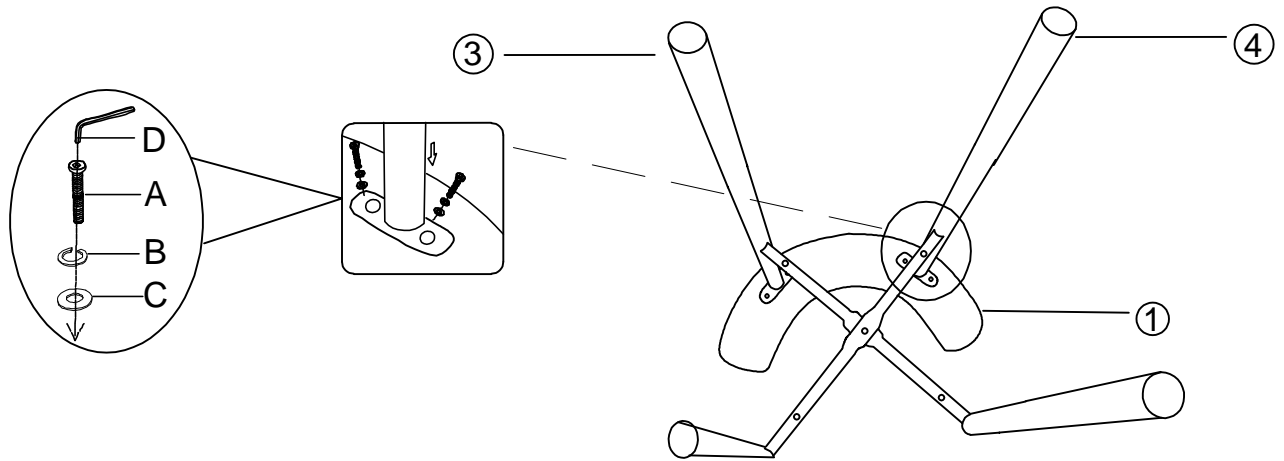
ASSEMBLY INSTRUCTIONS

1



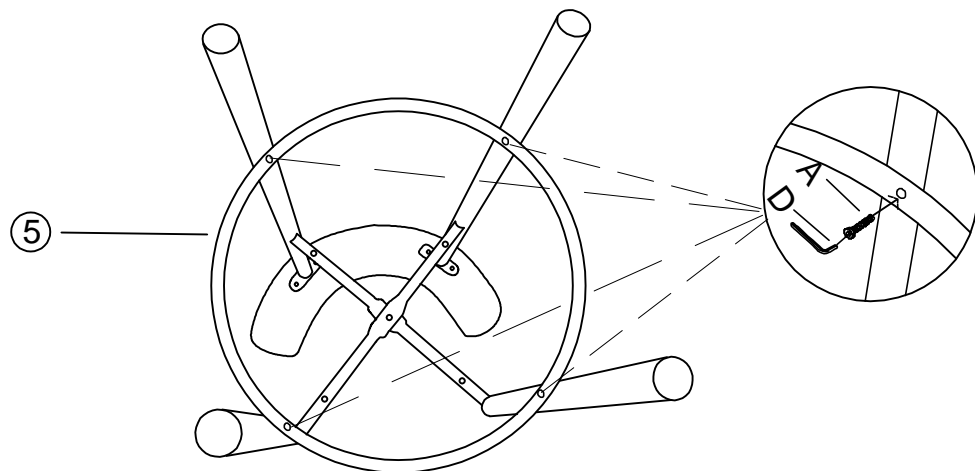
Note: At this stage, do not fully tighten the bolts.

2



Note: At this stage, do not fully tighten the bolts.

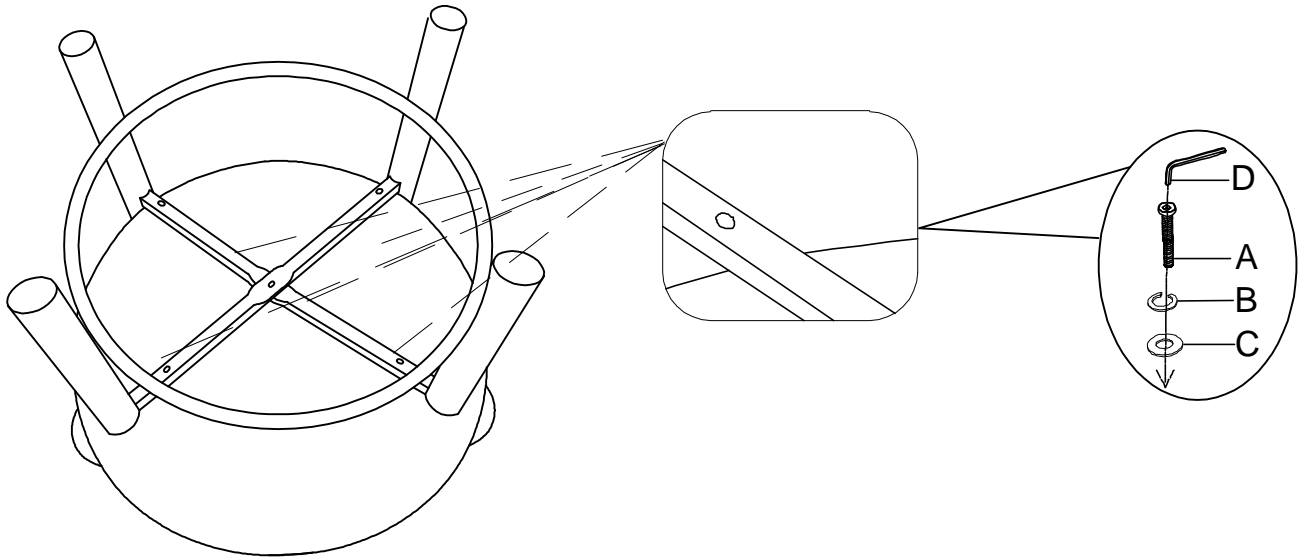
3



Note: At this stage, do not fully tighten the bolts.

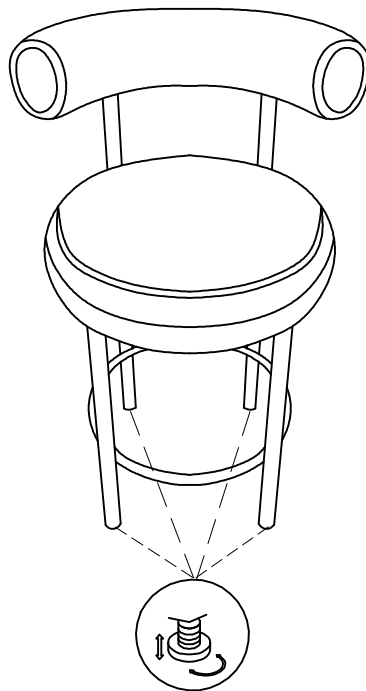
ASSEMBLY INSTRUCTIONS

4



Note: At this stage, fully tighten the bolts.

5



Adjust pre-installed levelers height to achieve balance.