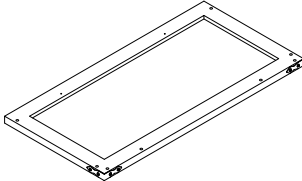
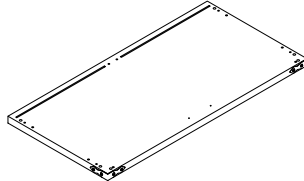
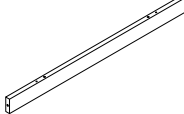
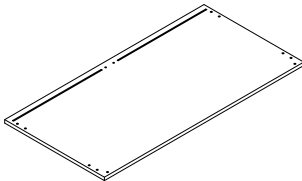
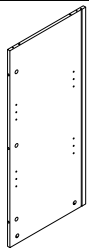
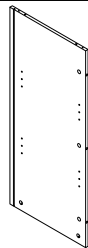


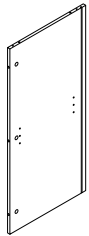

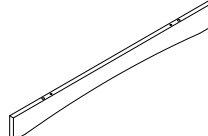
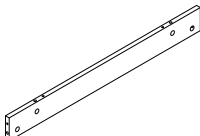
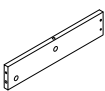
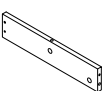
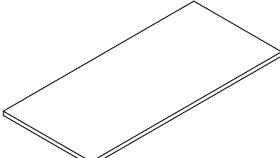
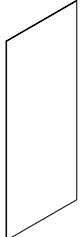



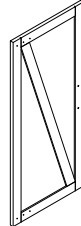
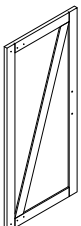
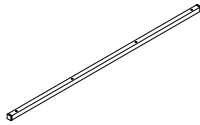
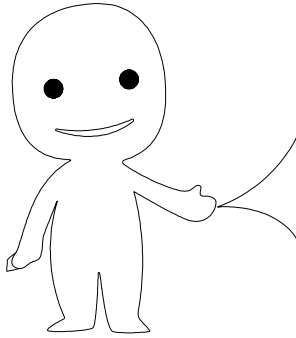
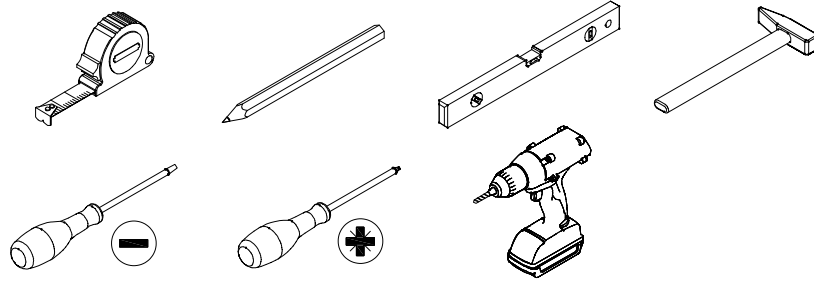


PARTS LIST

			
①X1	②X1	③X1	④X1
			
⑤X1	⑥X1	⑦X1	⑧X1
			
⑨X2	⑩X2	⑪X1	⑫X1
			
⑬X1	⑭X1	⑮X3	⑯X2
			
⑰X1	⑱X2	⑲X1	⑳X2
			
㉑X2	㉒X3		



Please prepare the following tools



<p>A x 34+2</p> <p>Ø15 x 9.5 mm</p>	<p>B x 34+2</p>	<p>C x 34+2</p>	<p>D x 30+2</p> <p>Ø6 x30 mm</p>
<p>E x 20+2</p> <p>Ø5 x40 mm</p>	<p>F x 8</p>	<p>G x 40+2</p> <p>Ø3.5 x 12</p>	<p>H x 4</p>
<p>I x 8+2</p> <p>M4 x 18</p>	<p>J x 12+2</p> <p>Ø5 x 15</p>	<p>K x 2</p> <p>K1 K2</p>	<p>L x 4+1</p> <p>Ø3 x 12</p>
<p>M x 20+2</p>	<p>N x 24+2</p> <p>Ø3 x 16</p>	<p>O x 12+2</p> <p>Ø3.5 x 25</p>	<p>P x 2</p> <p>P1 P2 P3 P4 Ø4 x 15 Ø4 x 40</p>
<p>Q x 4+1</p>			

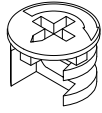
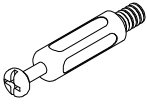
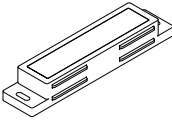



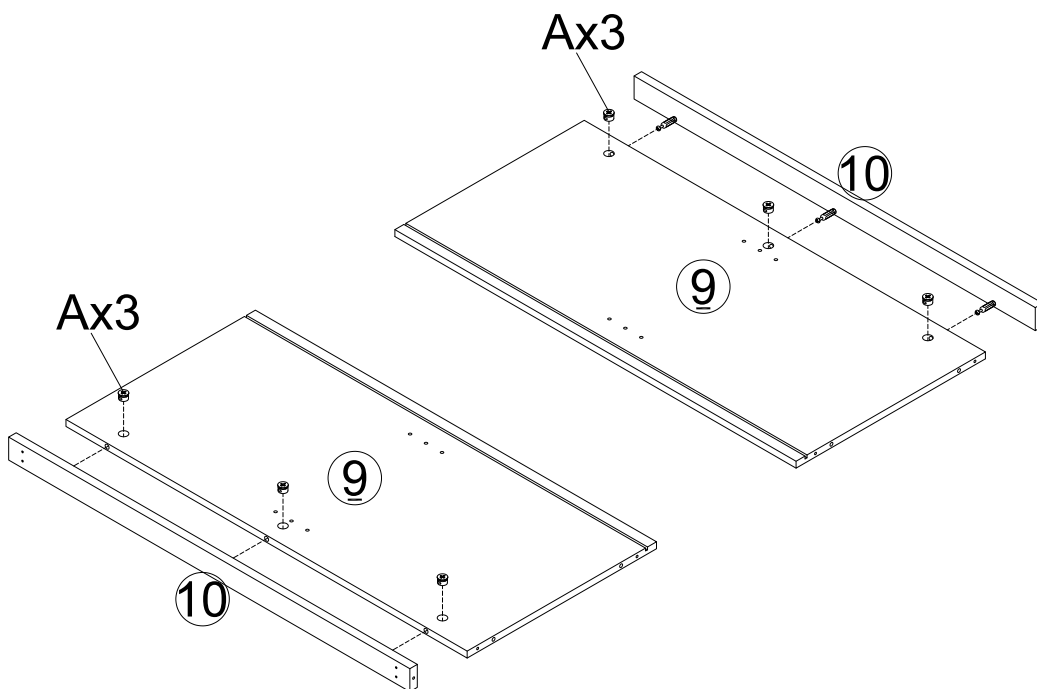
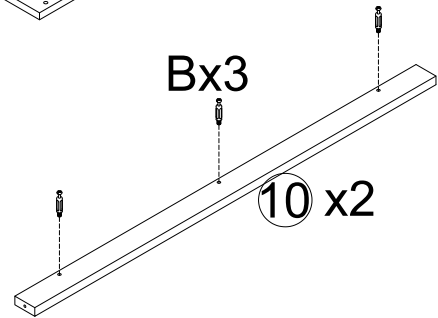
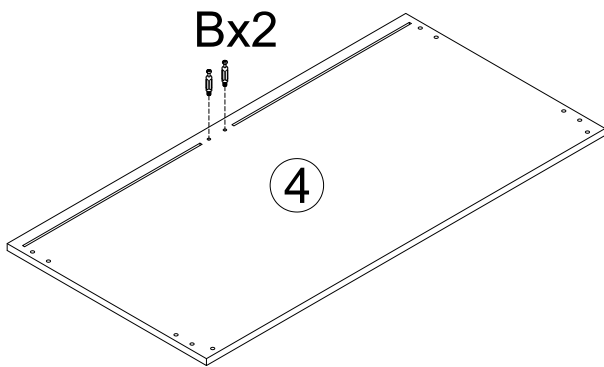
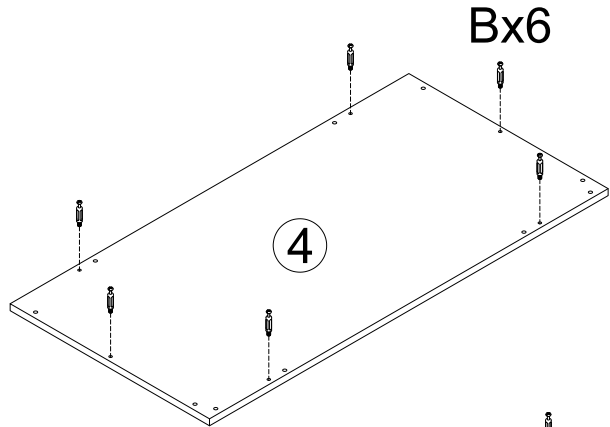
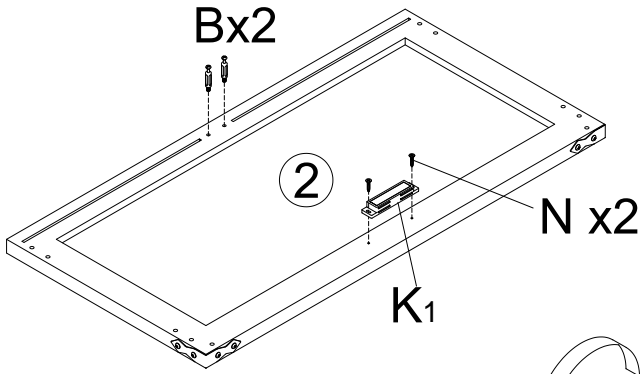
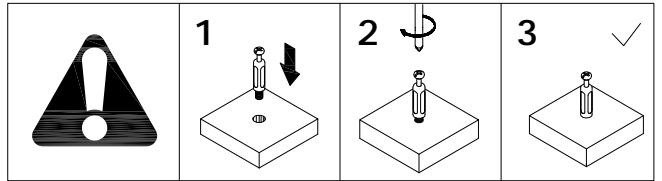
Tips: The number after "+" represents the spare hardware.

Cam Lock/Dowel Placement Supplement

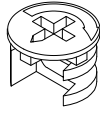
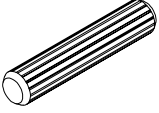
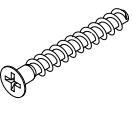
<p>CORRECT</p> <p>1</p>	<p>INCORRECT</p> <p>2</p>	<p>3</p> <p>3</p>
<p>When inserting the Cam lock, make sure that the open End of the cam Lock faces the Cam Screw Entry. The Dowel will be inserted in the hole NEXT to the Cam Lock/Cam Screw hole.</p>	<p>The Cam Lock is backwards in this illustration. The Cam Screw can not connect to the Cam Lock because the Dowel is in the incorrect hole.</p>	<p>To tighten, turn the Cam Lock CLOCKWISE until the arrow or "△" signs point AWAY from the connected Panel.</p> <p>*NOTE: DO NOT USE AN AUTOMATIC SCREWDRIVER TO TIGHTEN CAM LOCKS, DO NOT OVER-TIGHTEN.</p>

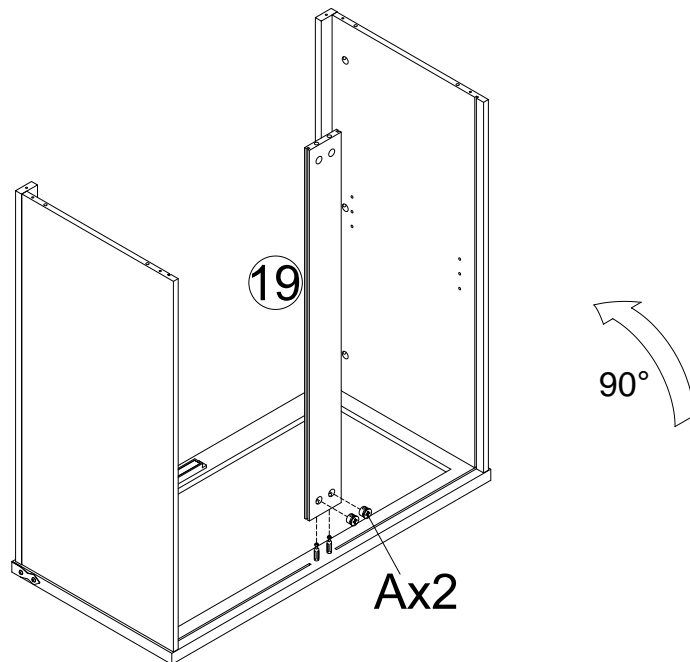
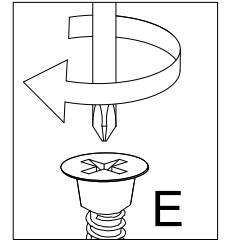
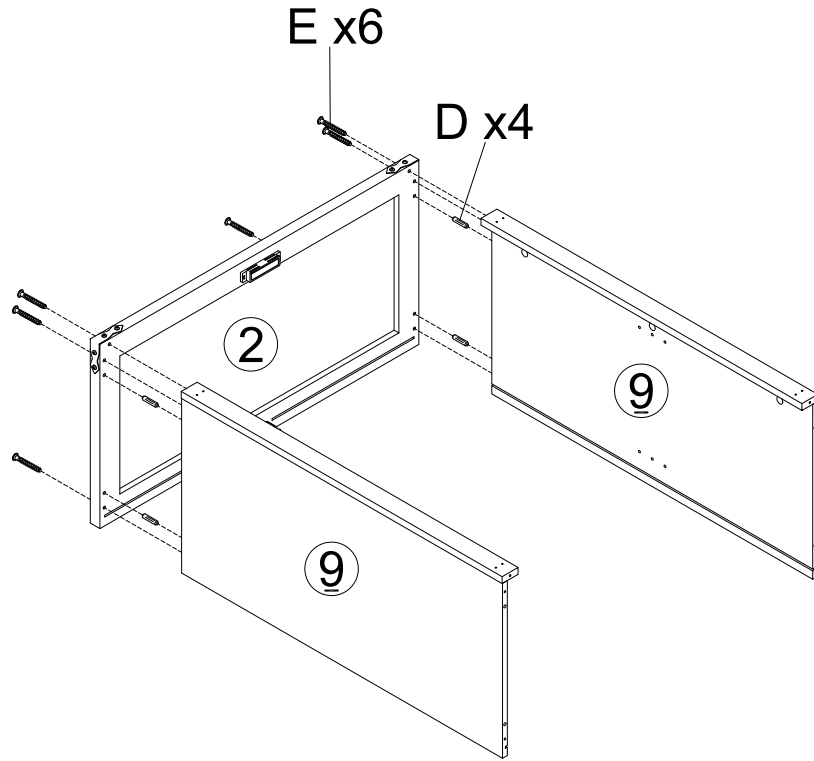
1

A x 6 	B x 16 	K1 x 1 	N x 2 	
---	--	--	--	--



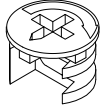
2

<p>A x 2</p> 	<p>D x 4</p> 	<p>E x 6</p> 	
--	--	--	--

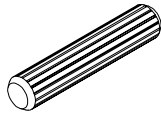


3

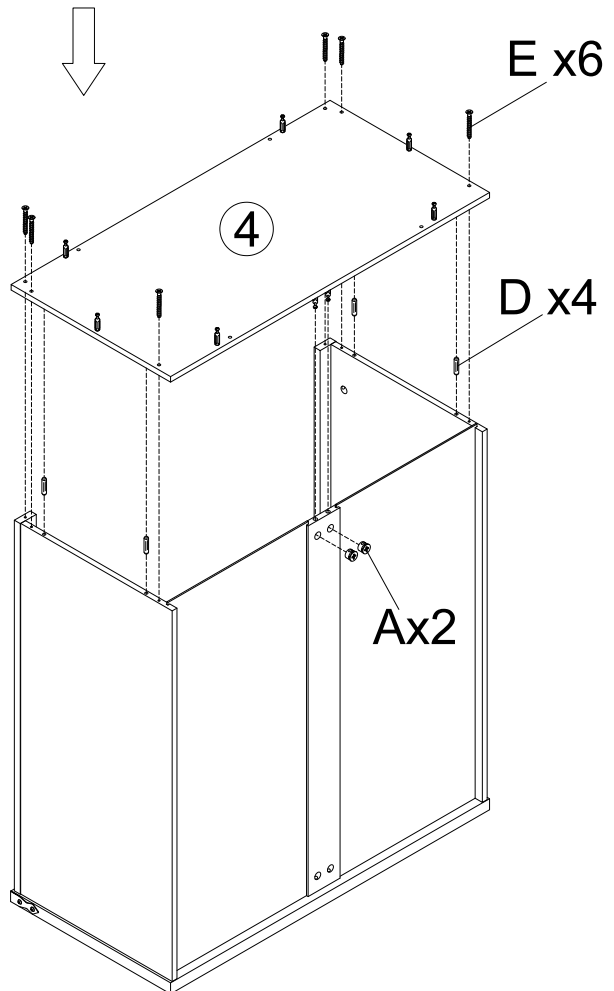
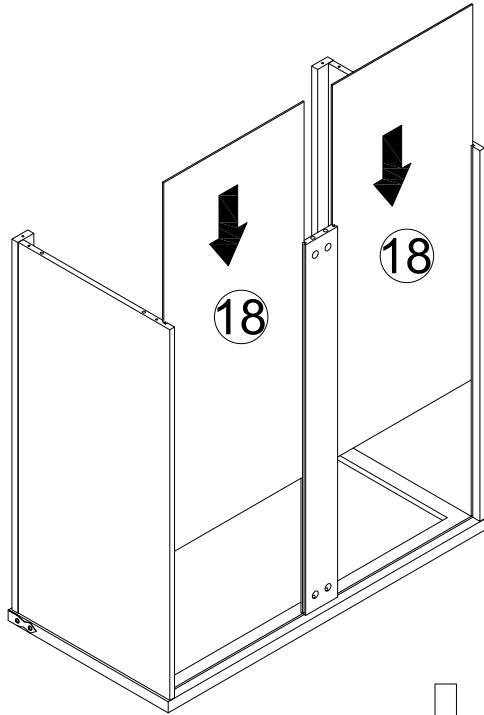
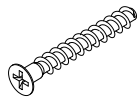
A x 2



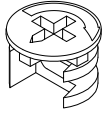
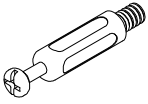
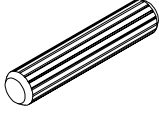
D x 4

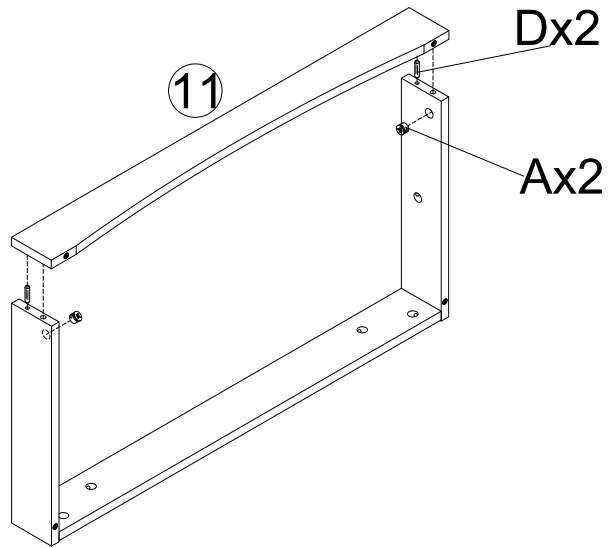
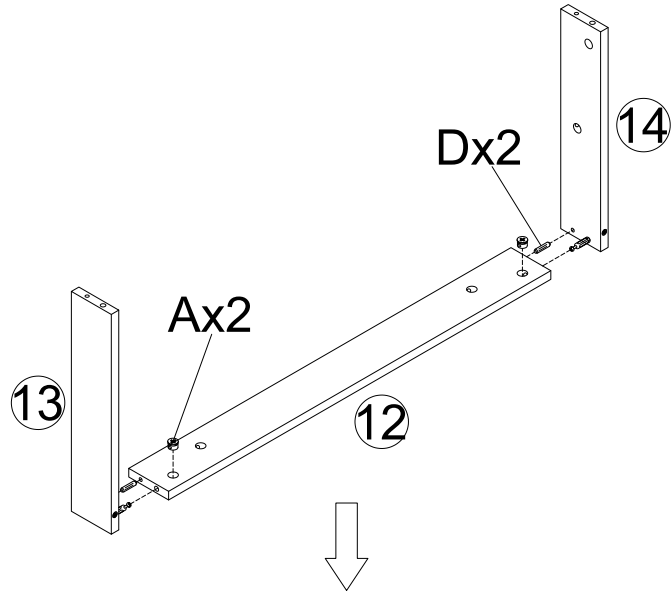
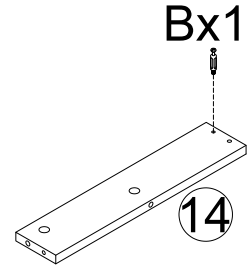
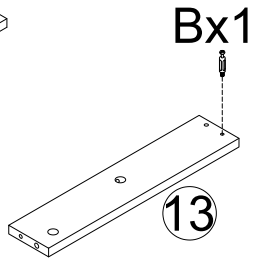
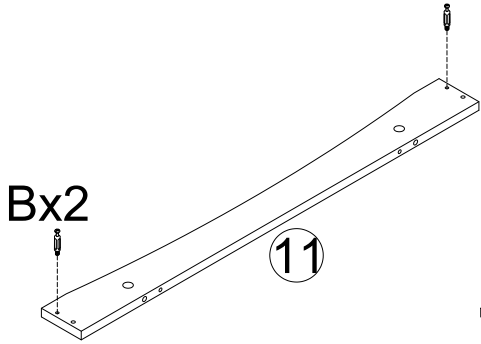


E x 6

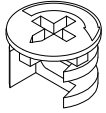
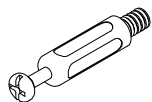
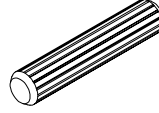
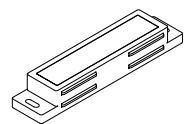

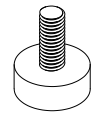


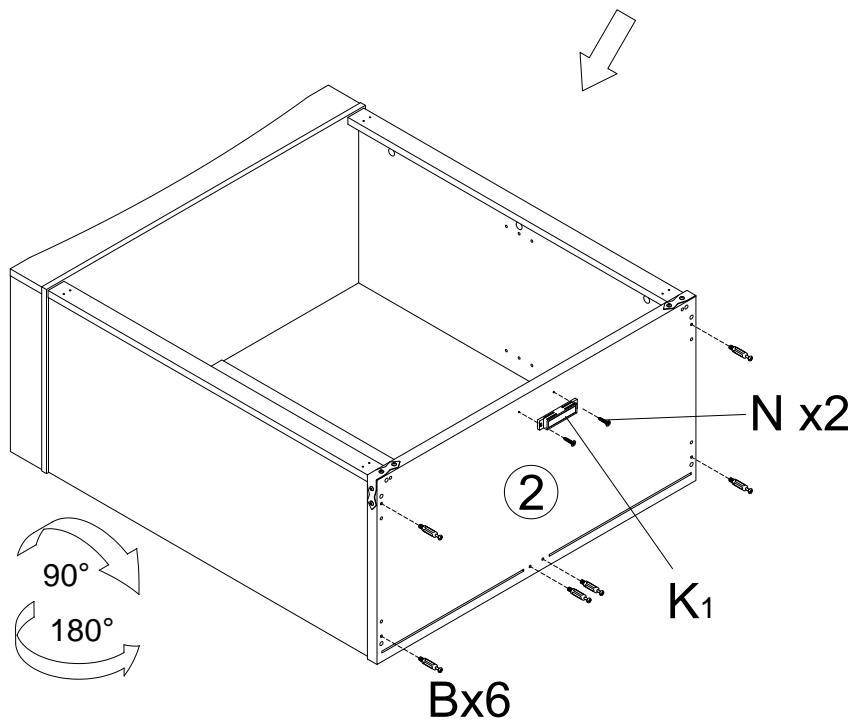
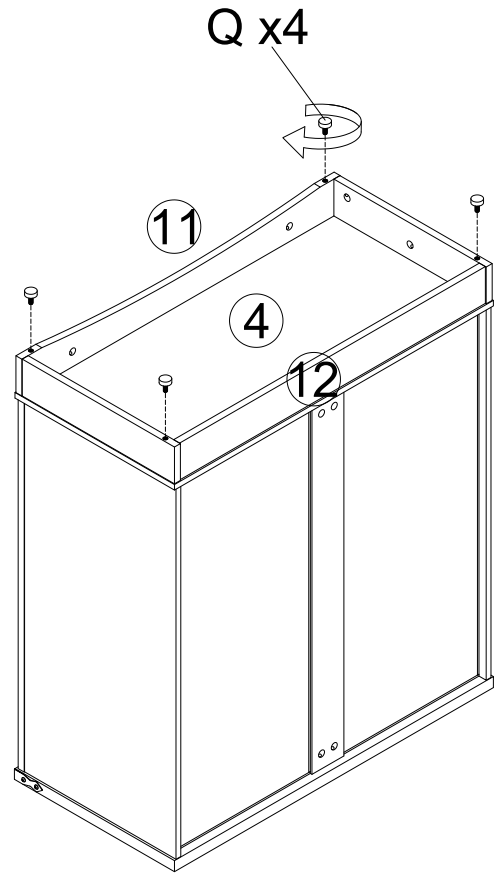
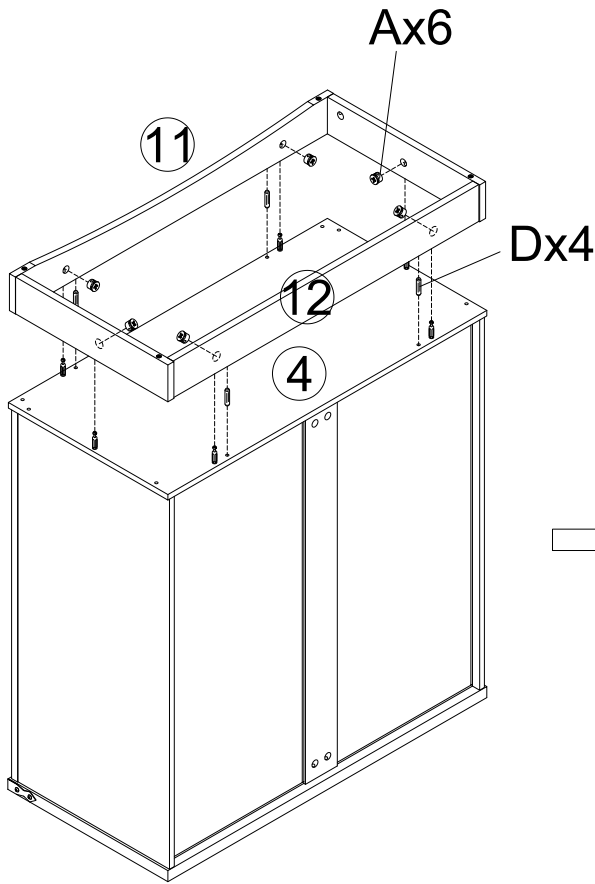
4

<p>A x 4</p> 	<p>B x 4</p> 	<p>D x 4</p> 	
--	--	--	--

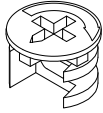
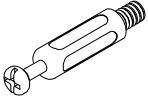


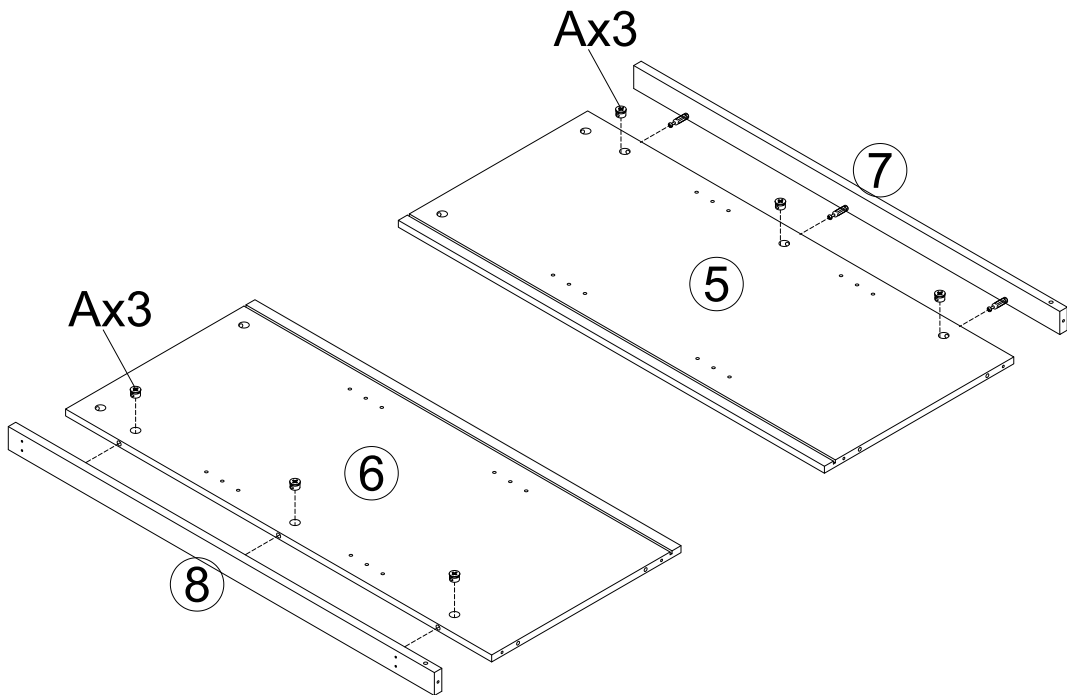
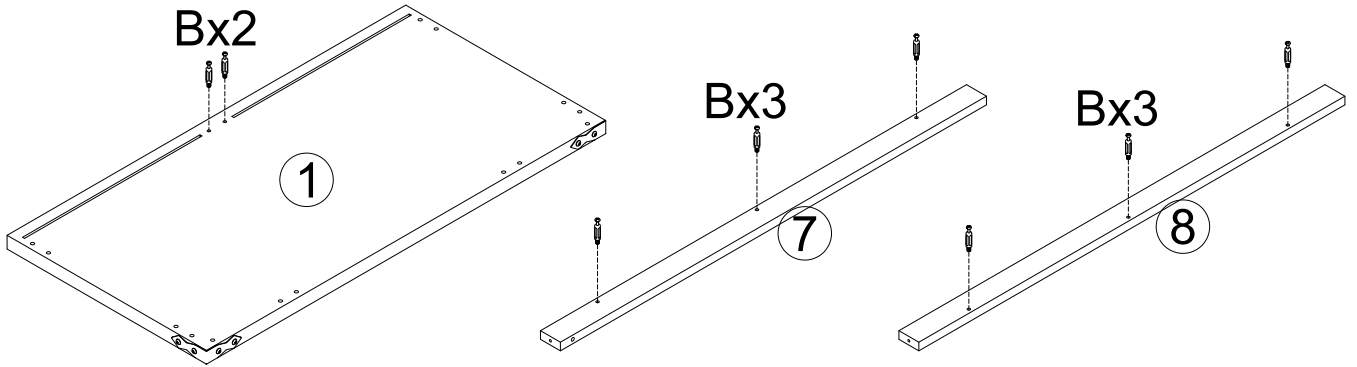
5

A x 6 	B x 6 	D x 4 	K1 x 1 	N x 2 	Q x 4 
--	--	--	--	--	--



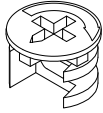


<p>A x 6</p> 	<p>B x 8</p> 	
--	--	--

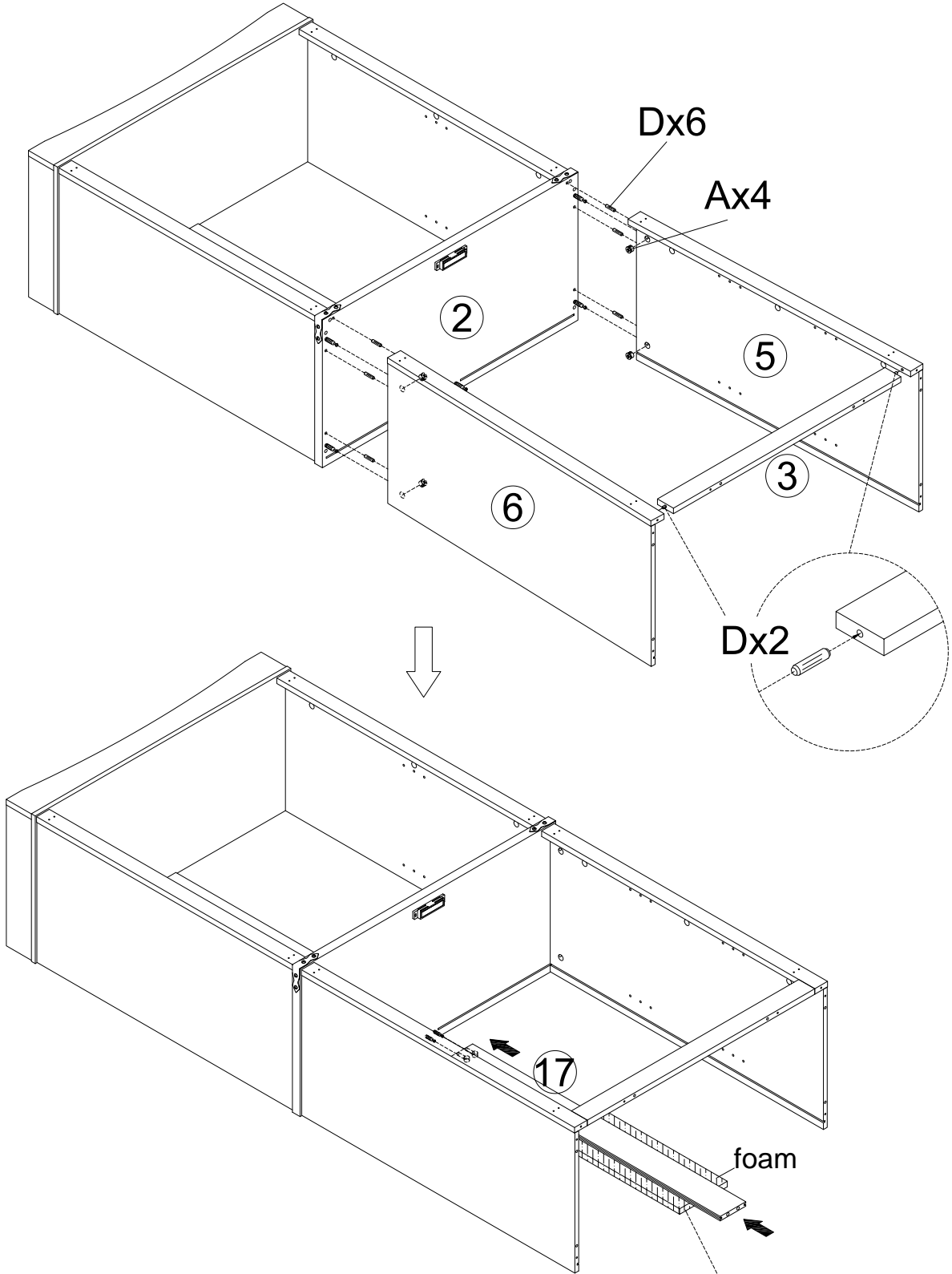
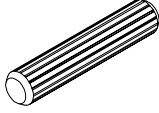


7

A x 4



D x 8



Dx6

Ax4

2

5

6

3

Dx2

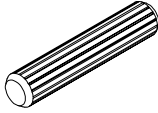
17

foam

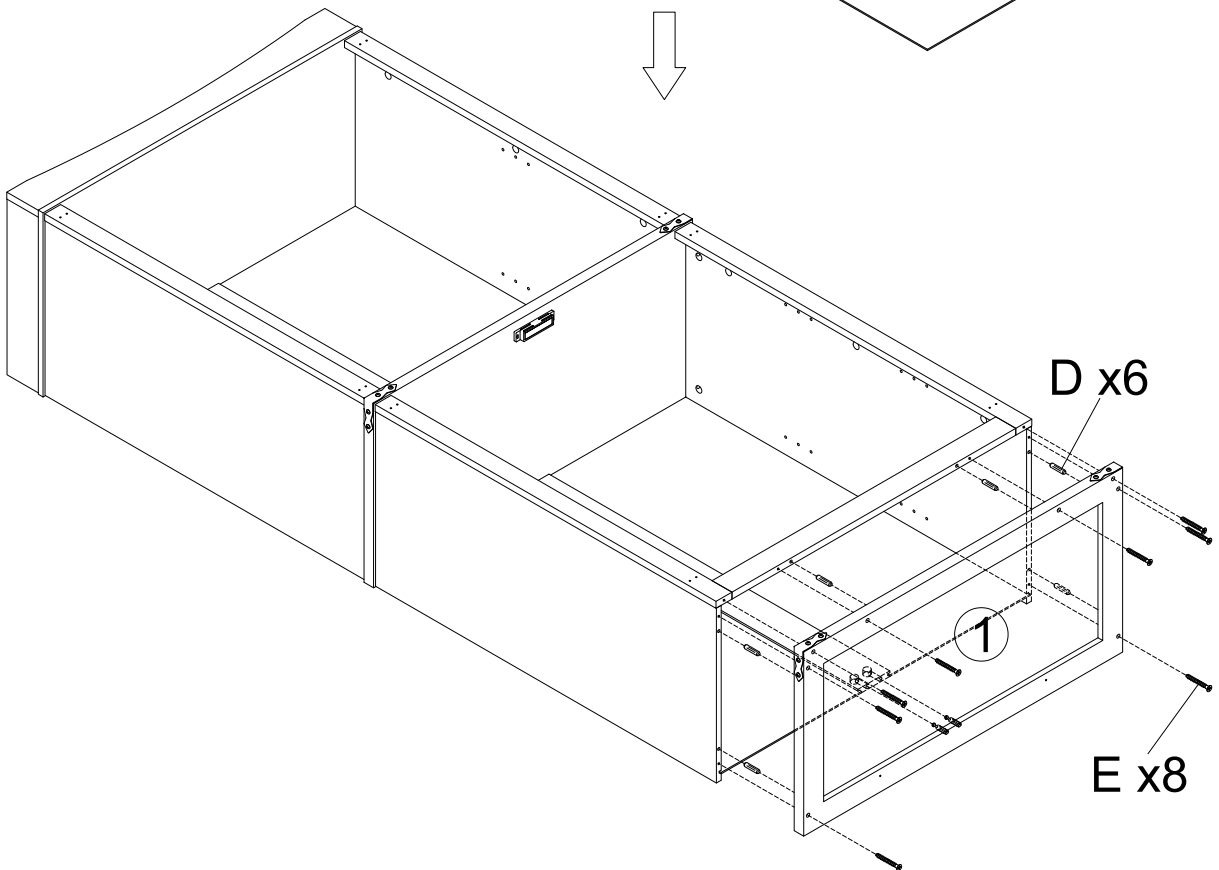
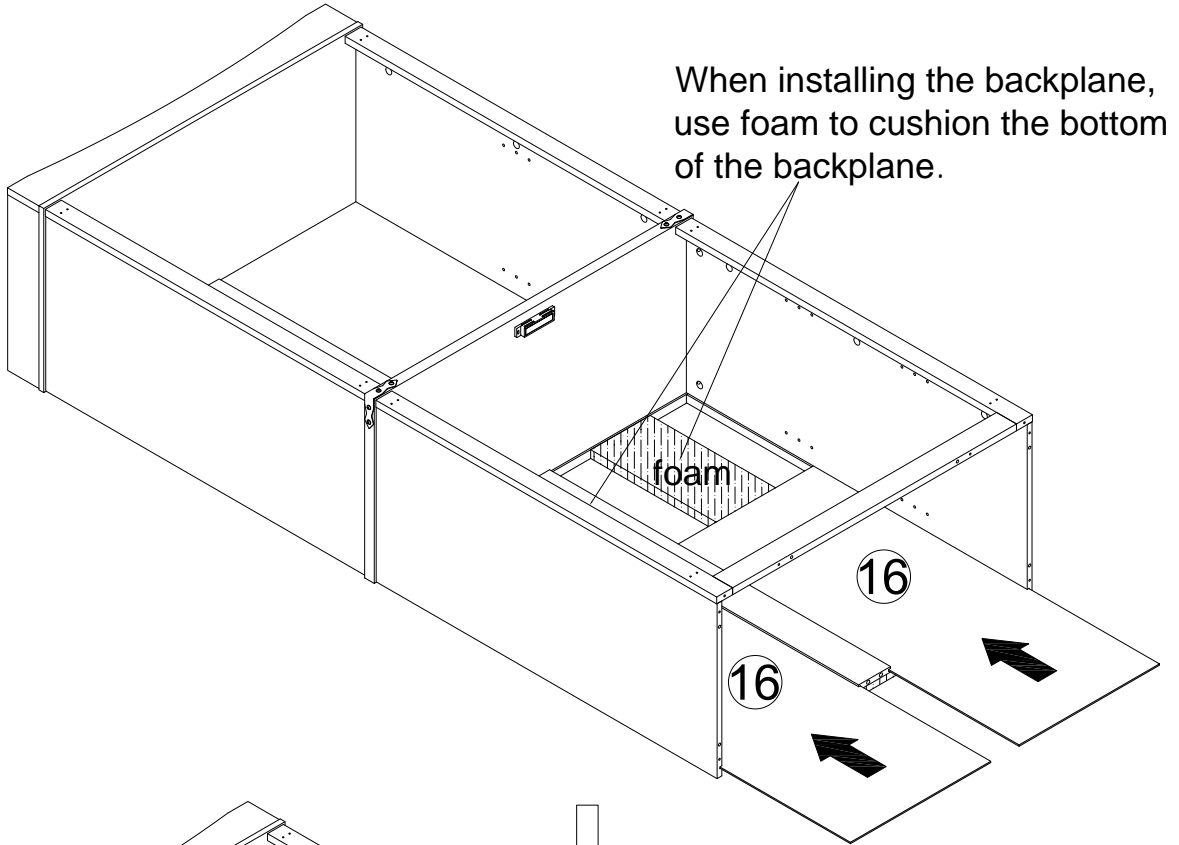
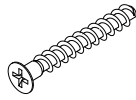
Use foam to pad the back brace so that its hole position is aligned.



D x 6

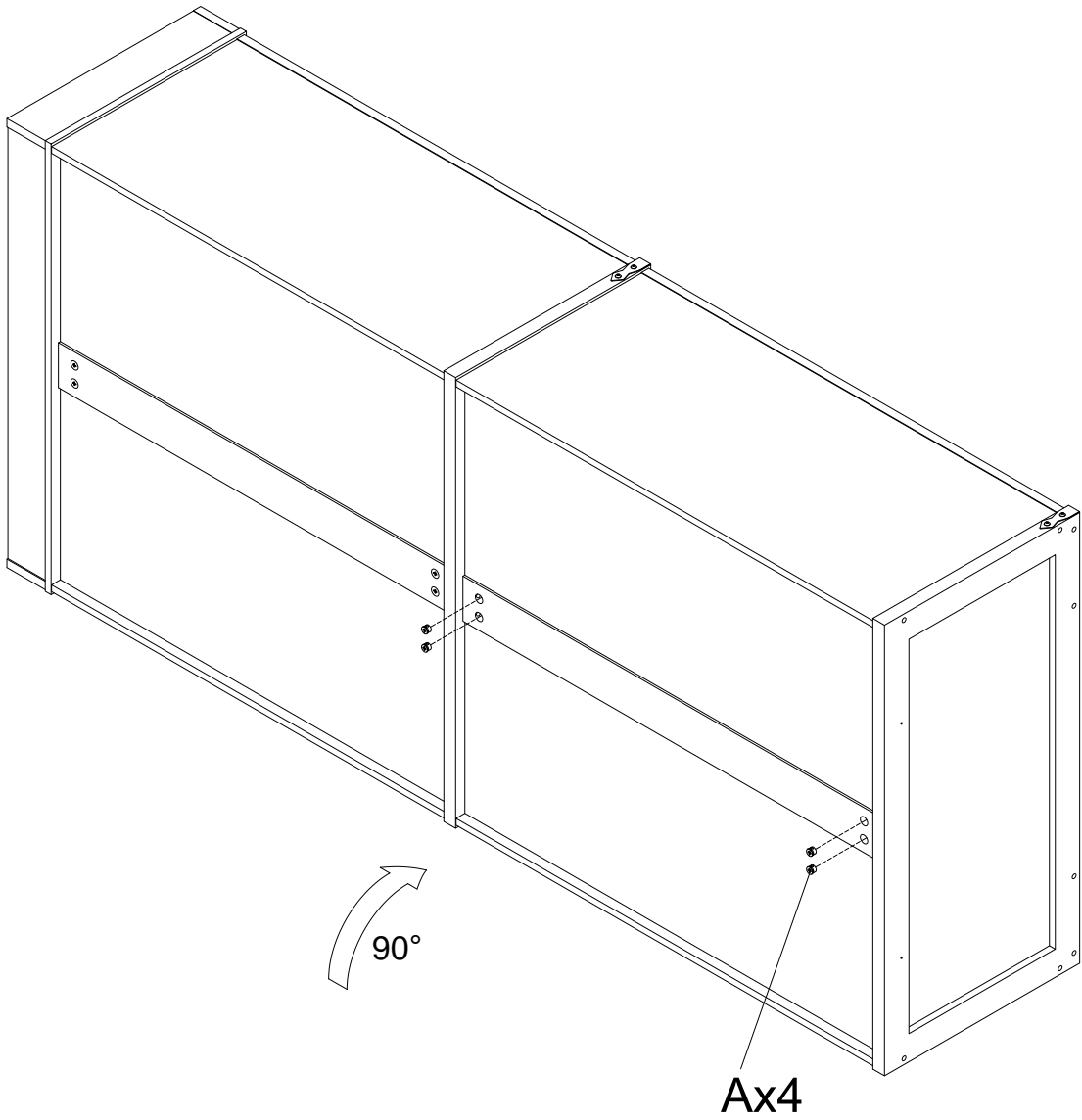
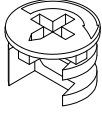


E x 8




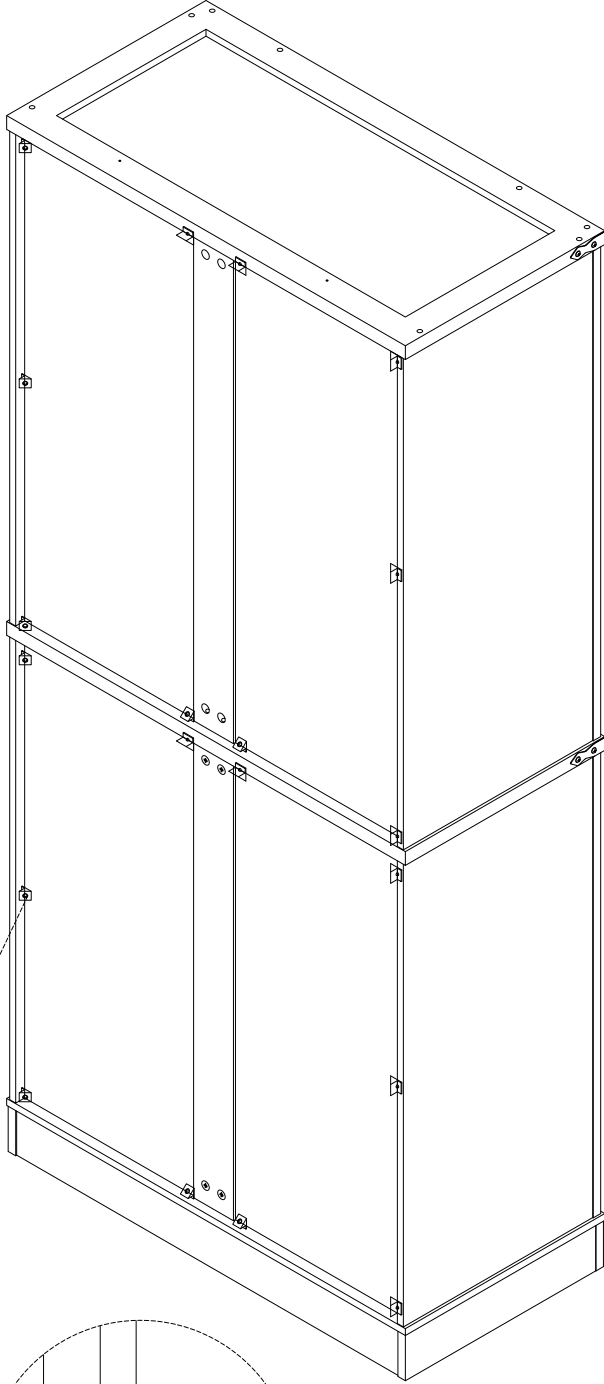


A x 4

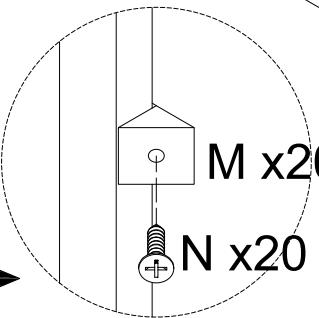
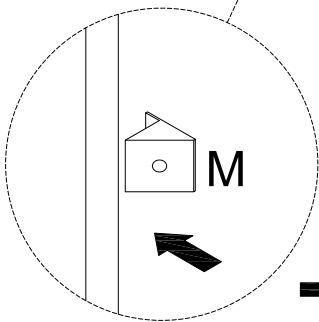


10

<p>M x 20</p> 	<p>N x 20</p> 	
---	---	--



90°

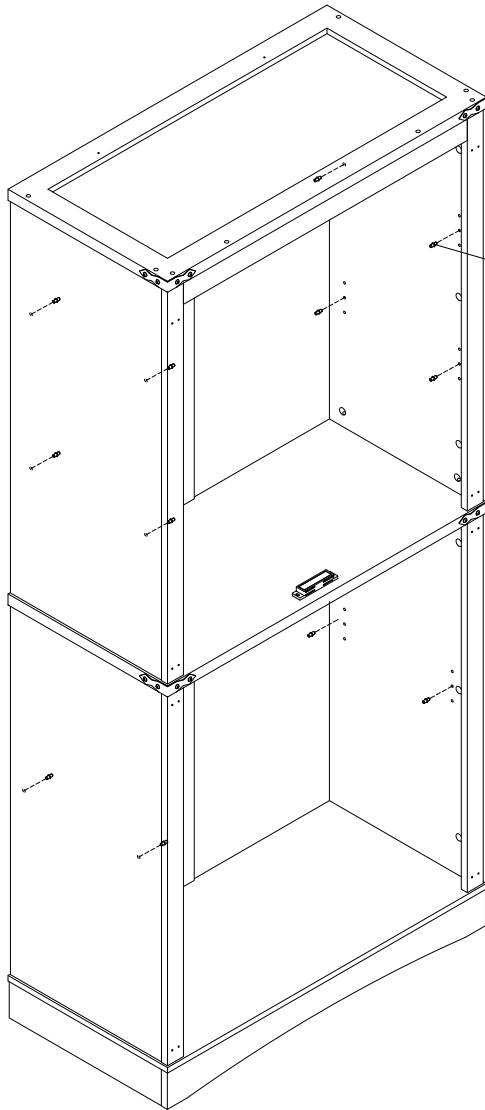


1 1

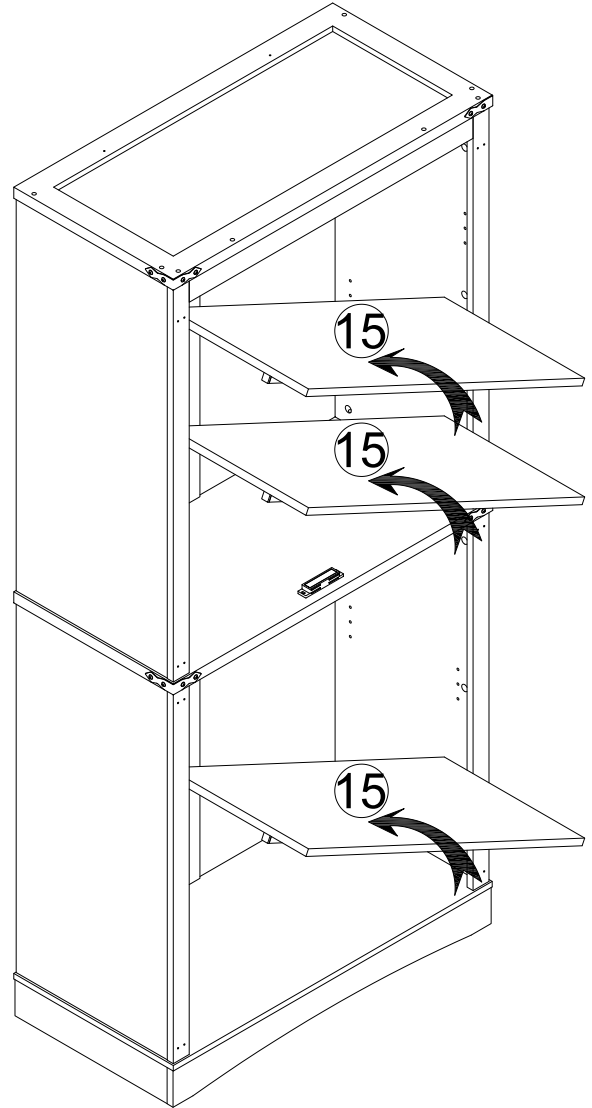
J x 12



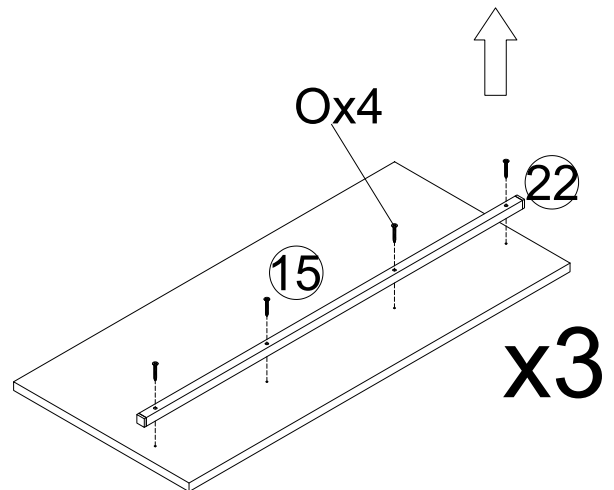
O x 12



J x 12



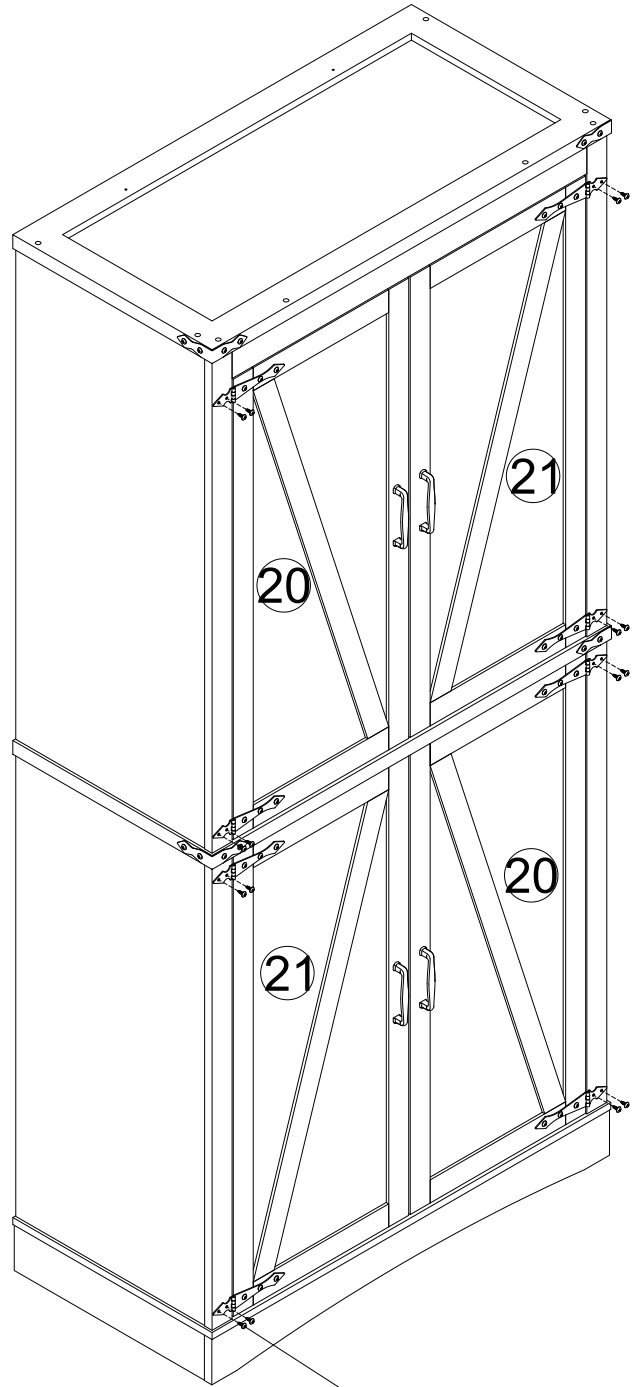
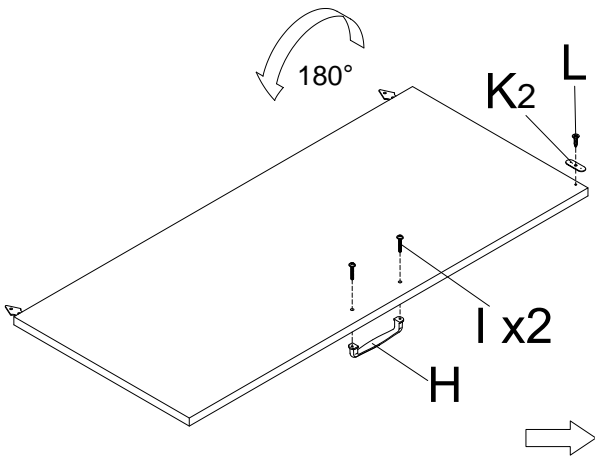
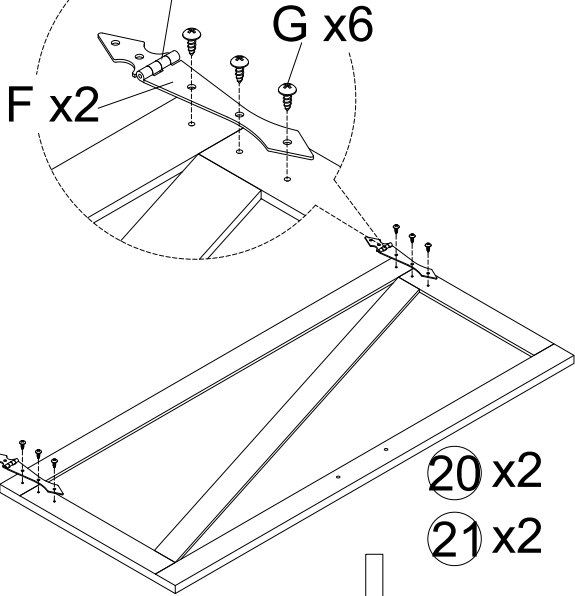
90°



12

F x 8	G x 40	H x 4	I x 8	K2 x 4	L x 4	
-------	--------	-------	-------	--------	-------	--

*NOTE:Hinge axis facing outward



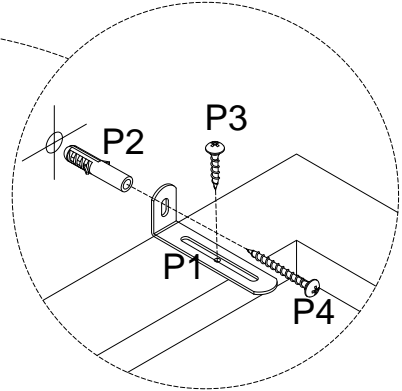
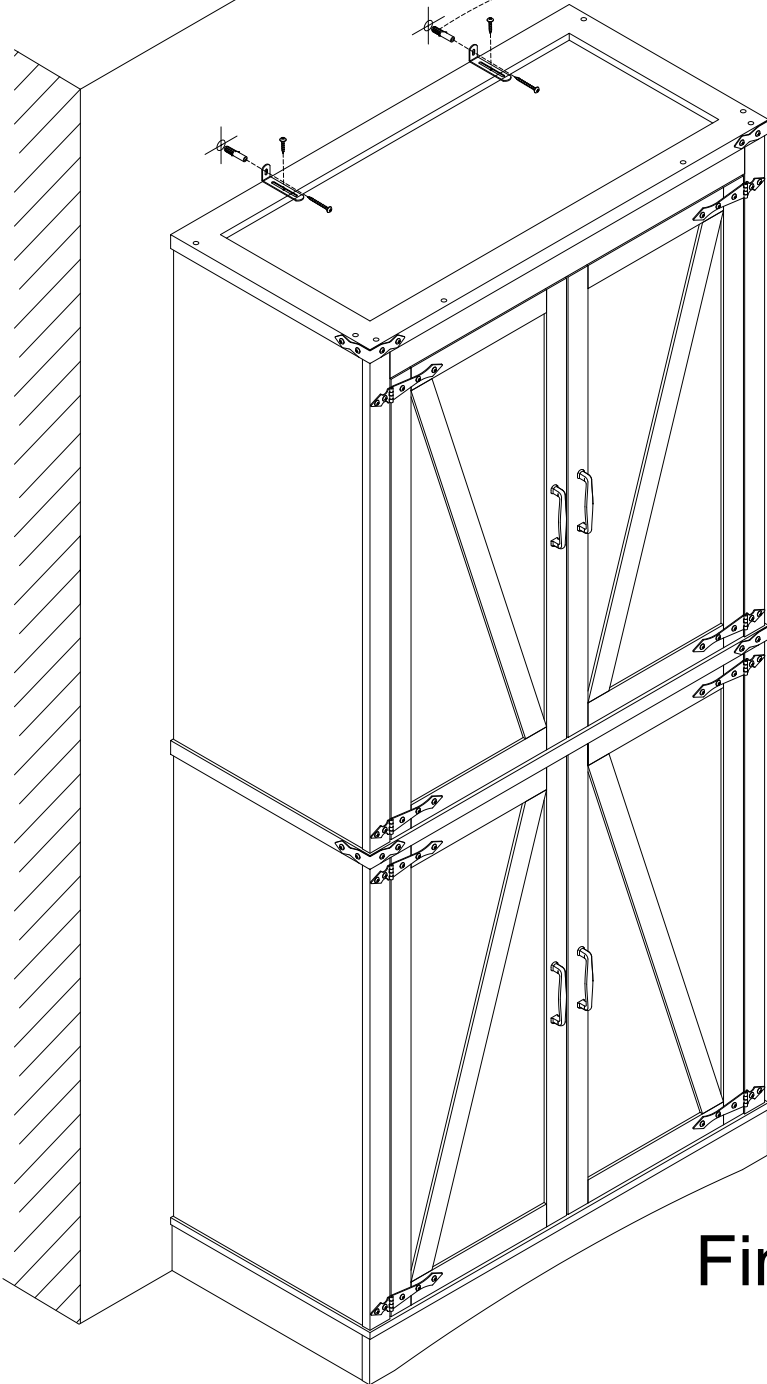
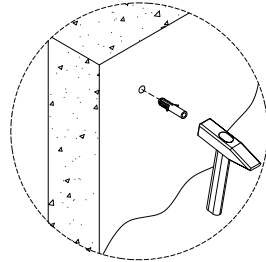
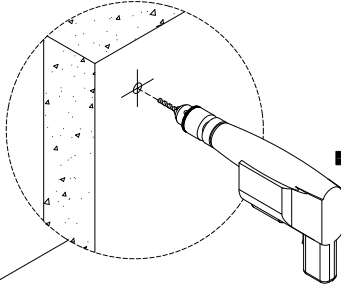
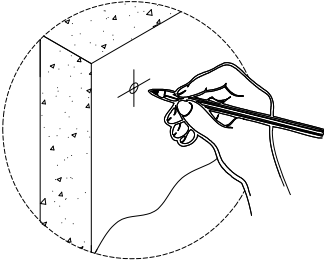
G x 16

13

P x 2

P1  P3  Ø4 x 15

P2  P4  Ø4 x 40



Final Assembly