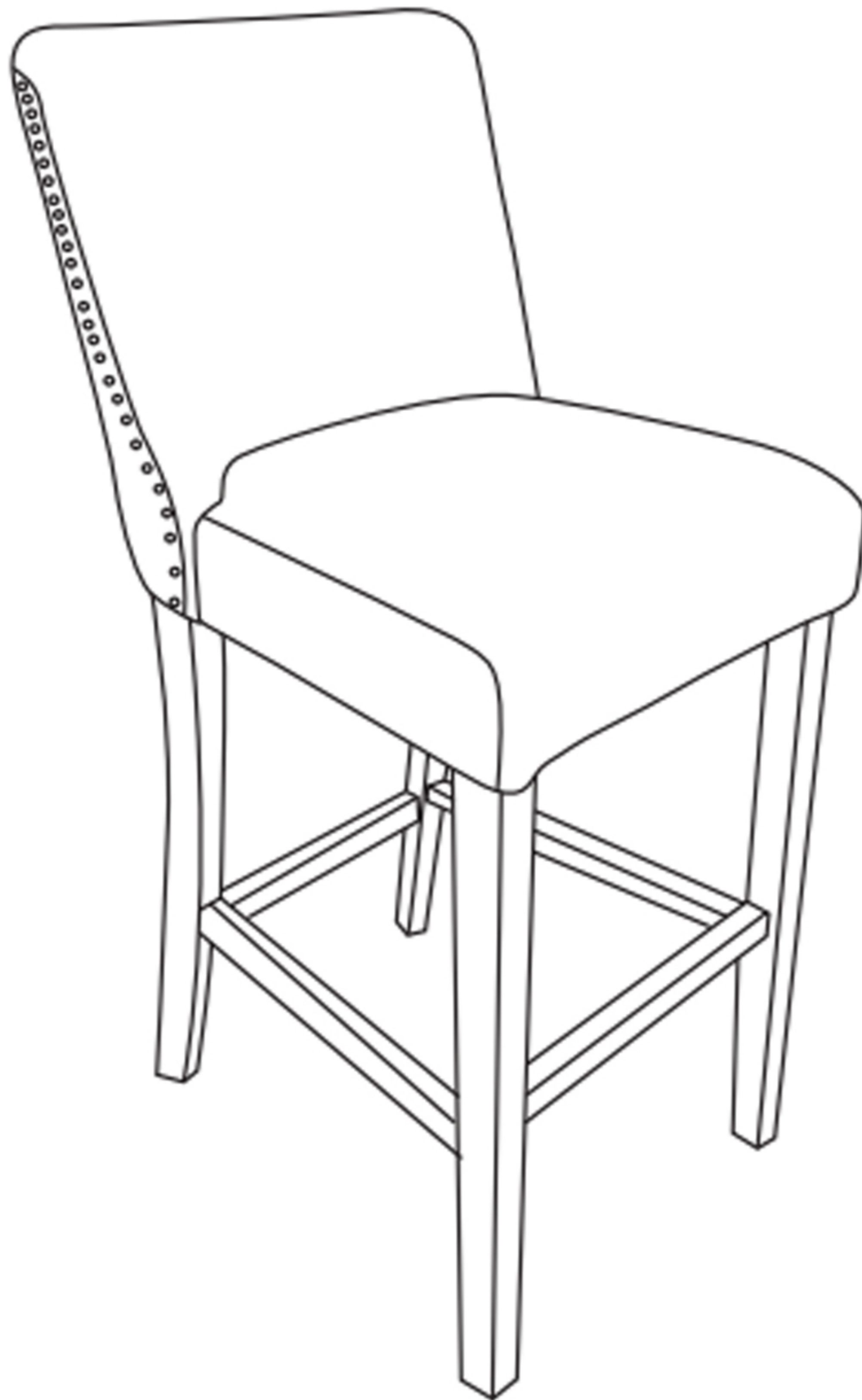


# ASSEMBLY INSTRUCTION



SKU: 6019

## **Dear customer,**

Thank you very much for buying our items. Please read the assembly instruction carefully before assembly.

## **Notices:**

- Verify that all parts are present and in good condition before assembly.

- Put the chair on a clean flat surface.

- Use 5 screws(D) to fix the back and seat.

Use 4 screws(D) to fix the legs.

Use 6 screws(E) to fix the bars.

- Please tight the screws about 80% for the first step;

Then, sit with caution on the barstool to adjust the balance of the frame;

Finally, tighten the screws completely 100%.

- If you find that four legs are unlevel after assembly, you can use adjustable pegs to keep four legs level.

## **Contact us**

If there are installation problems, damage, missing parts, or any questions and concerns, please contact the shop where you bought it so we can make things right.

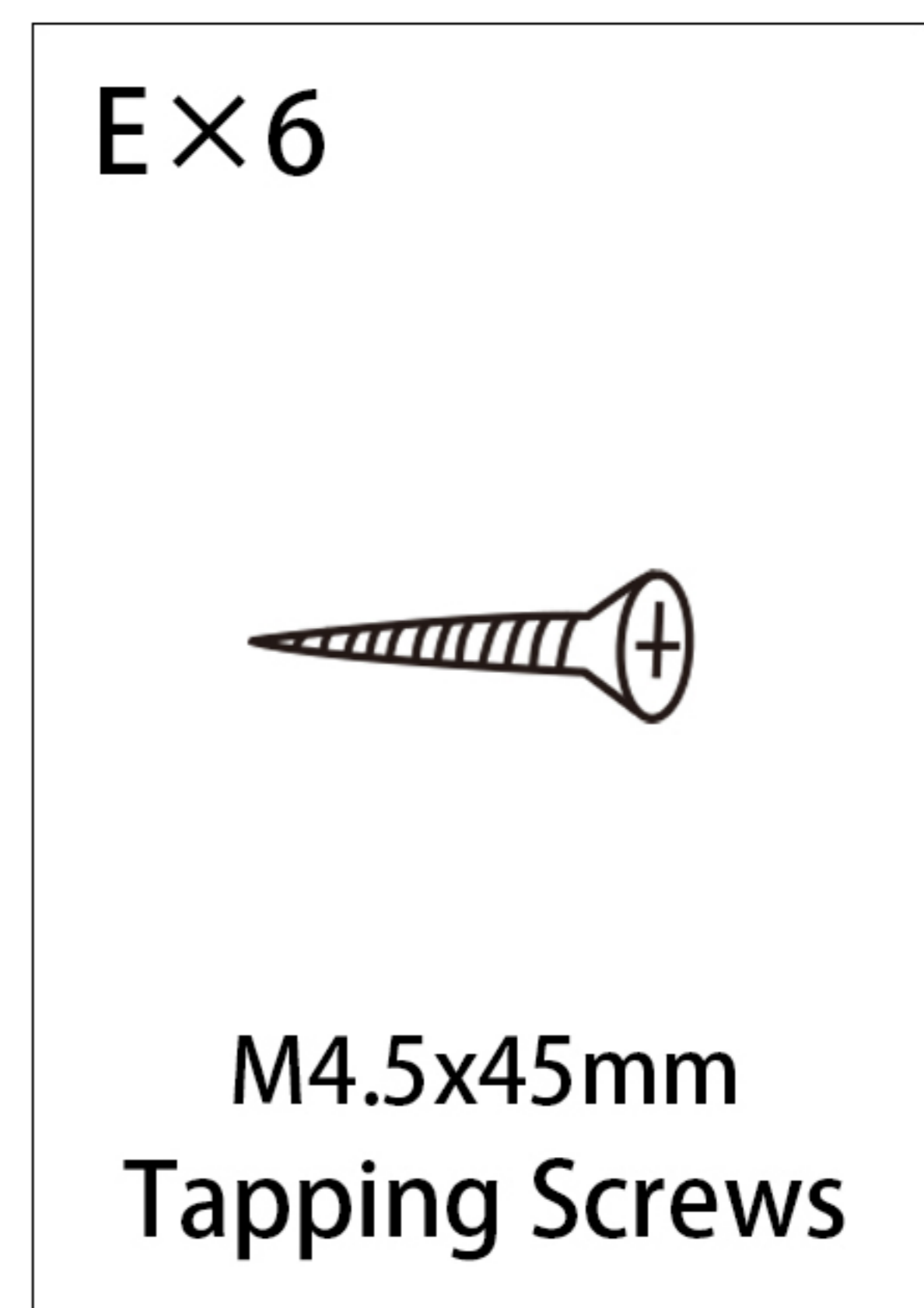
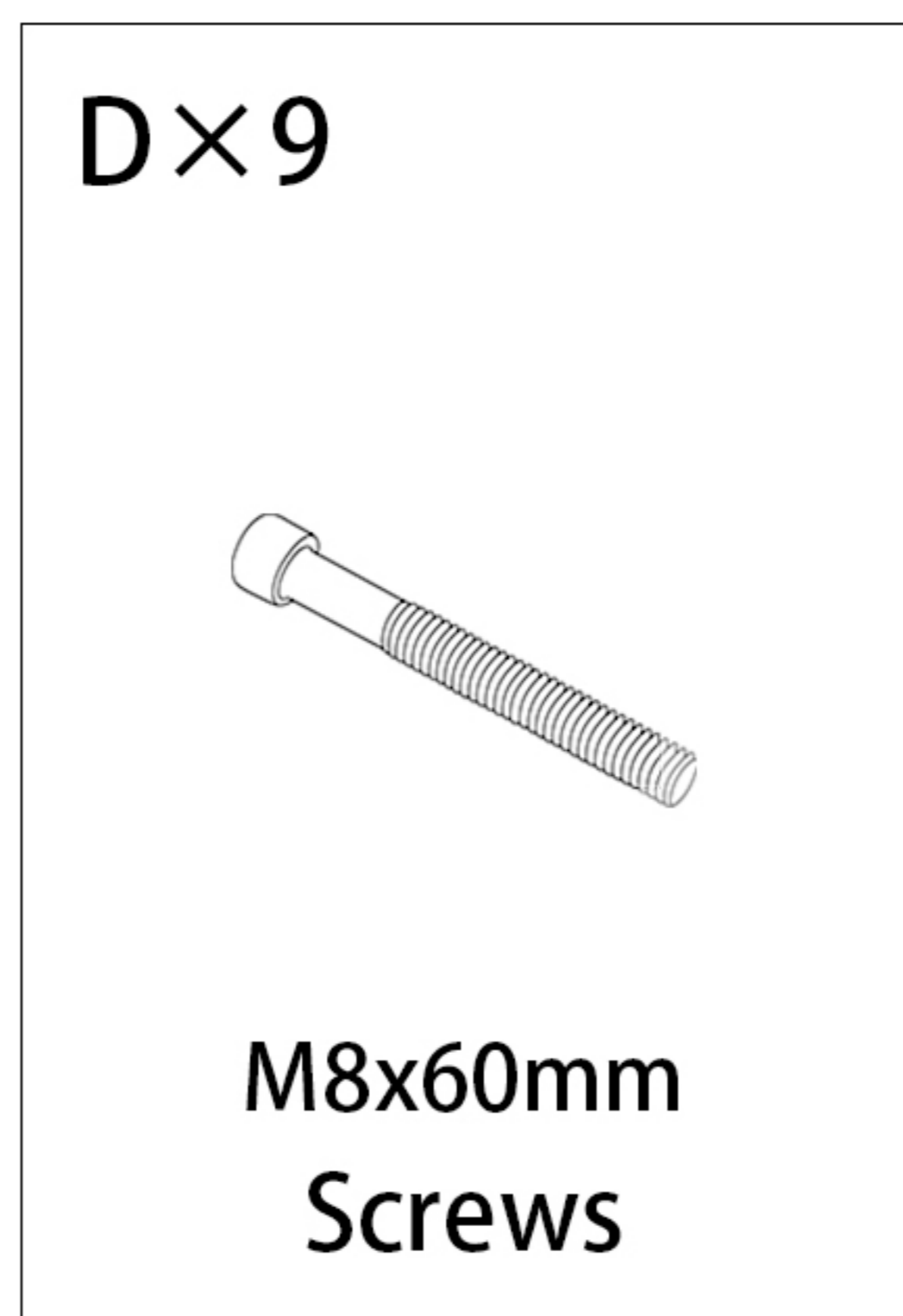
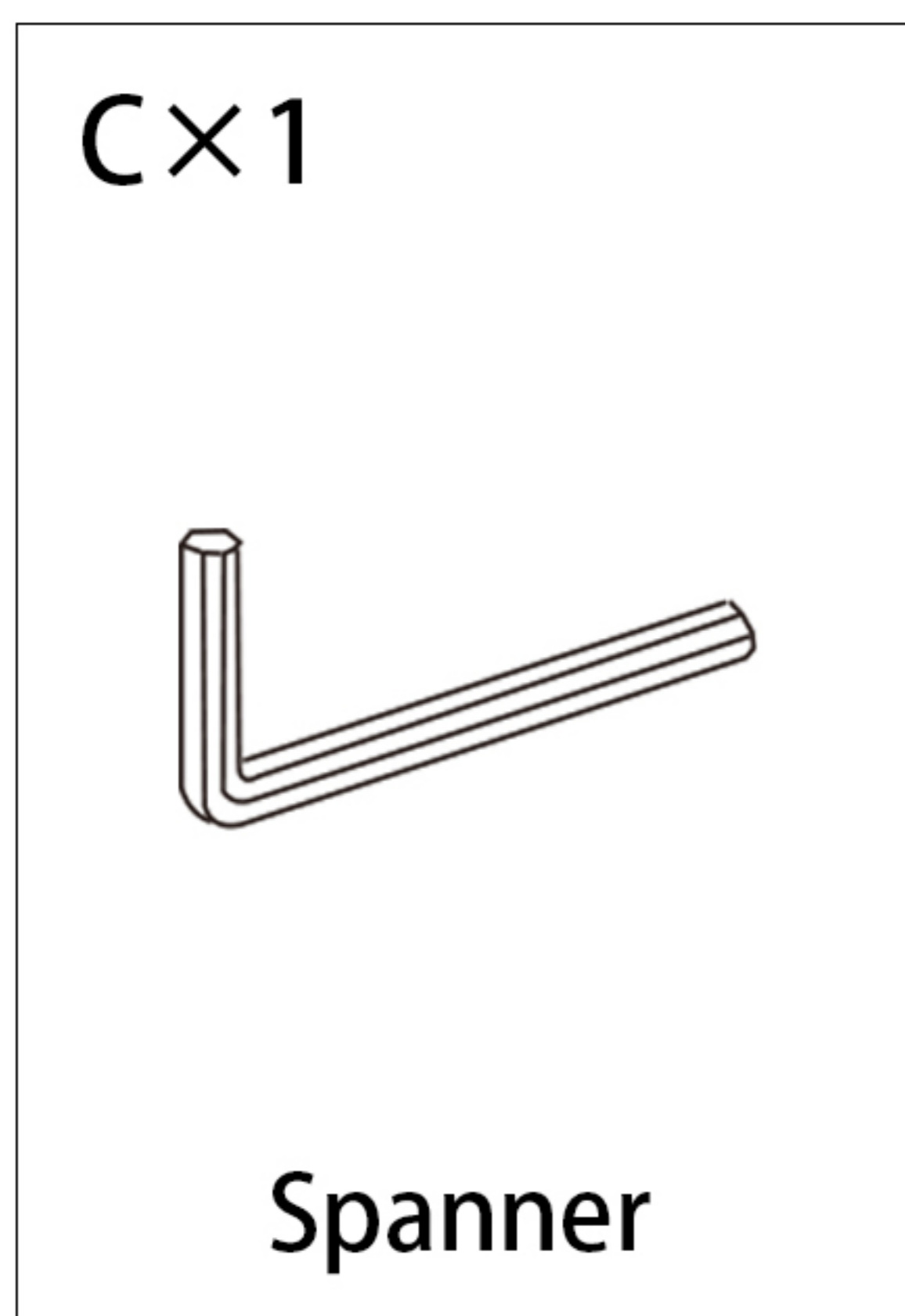
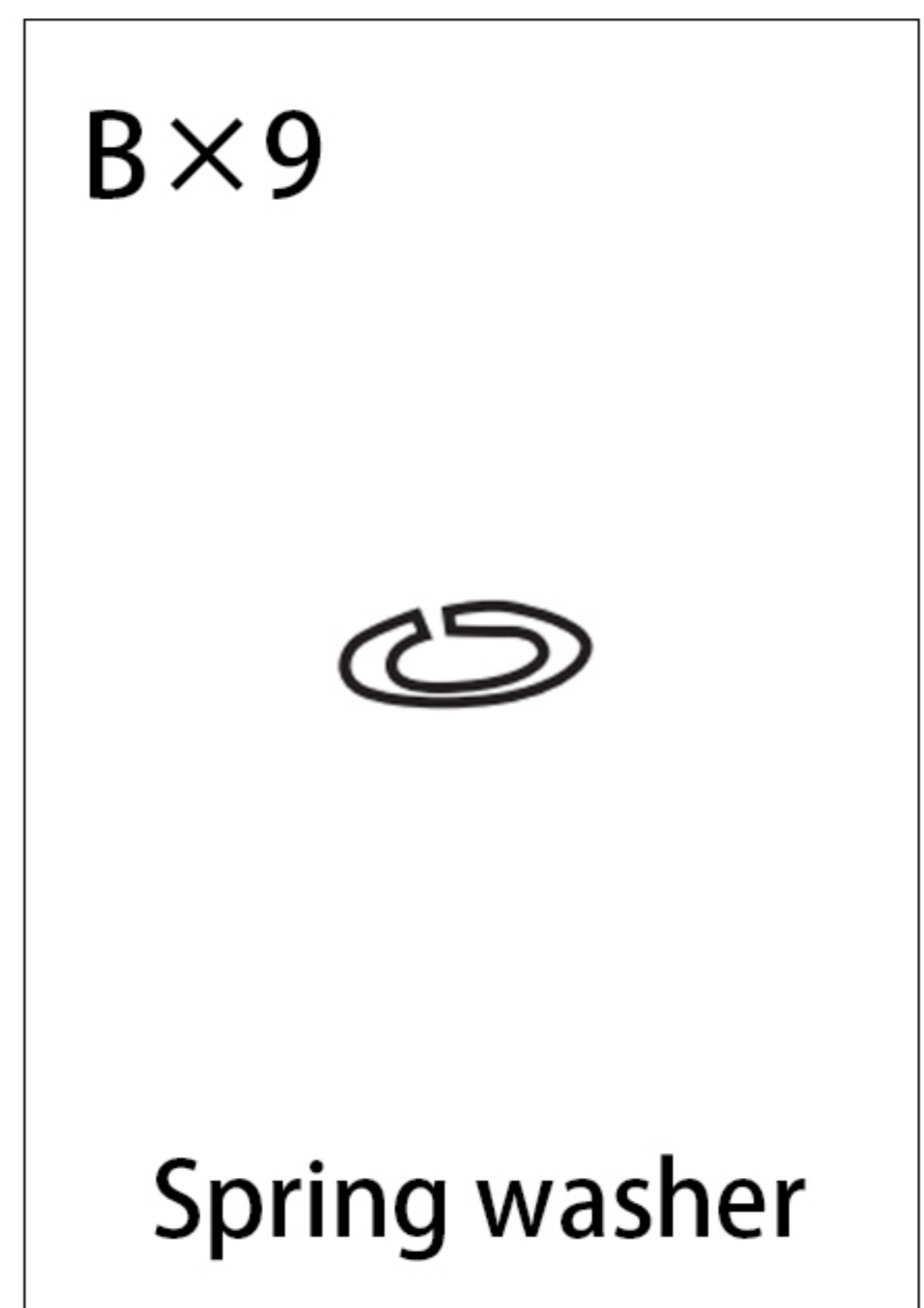
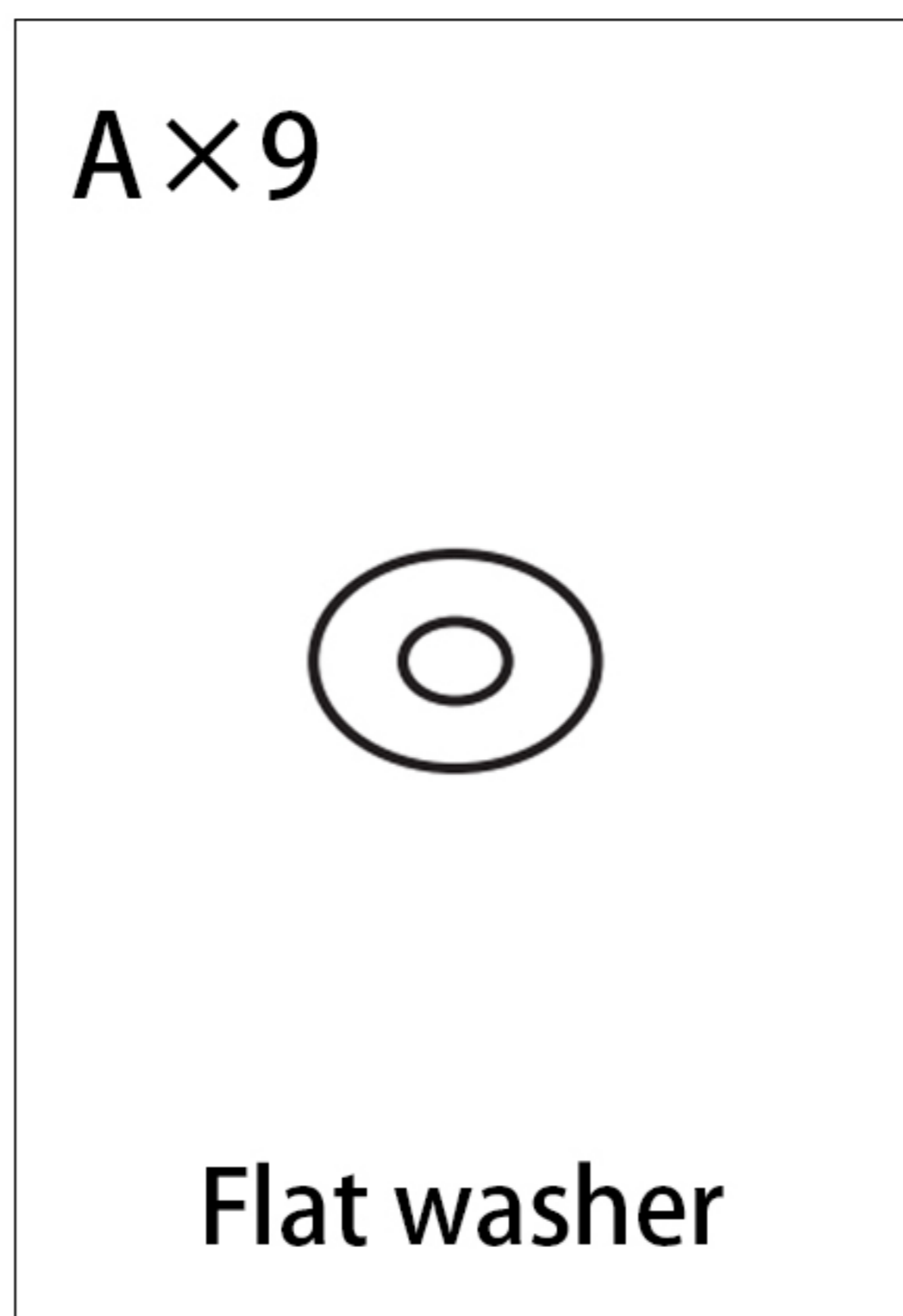
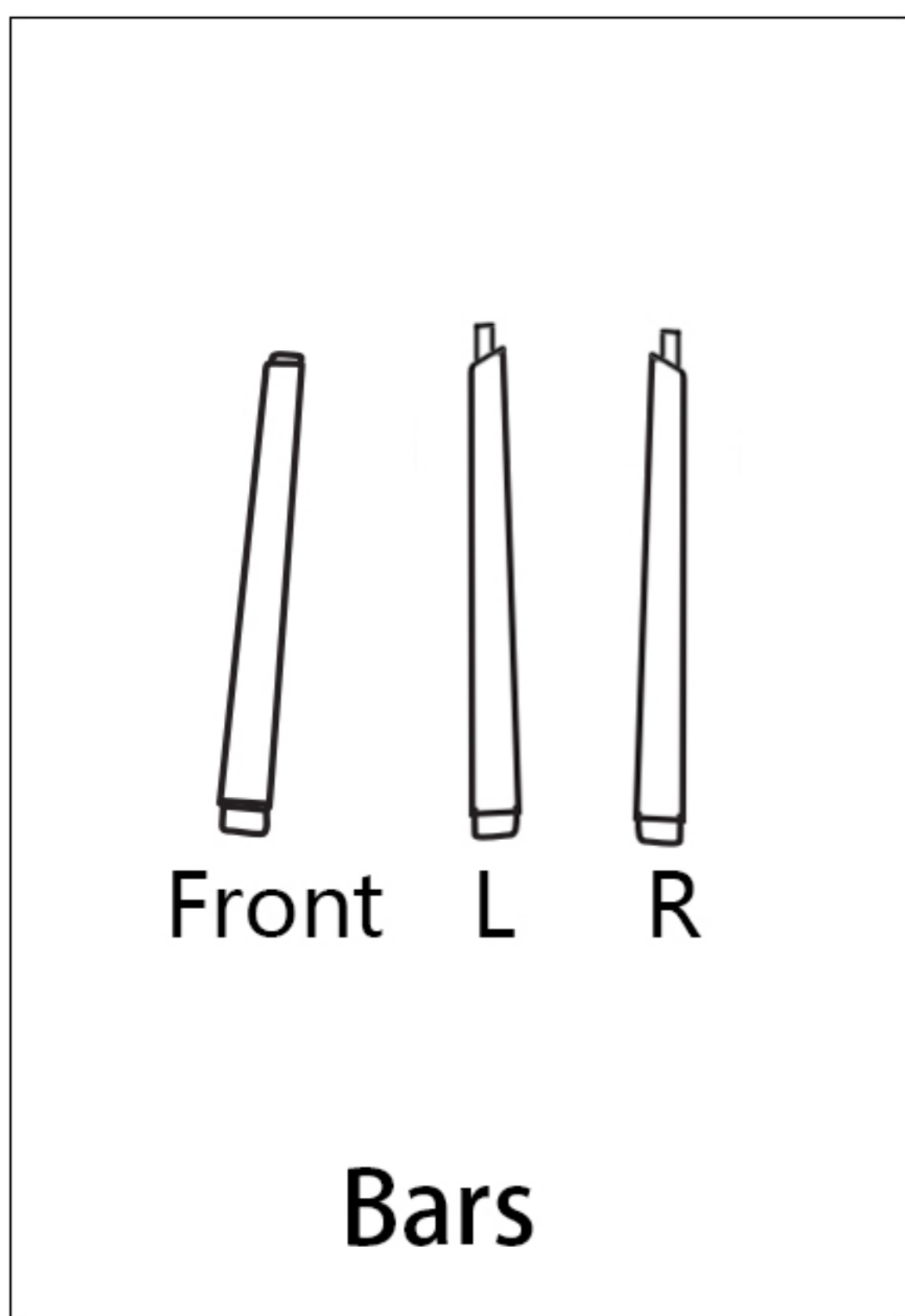
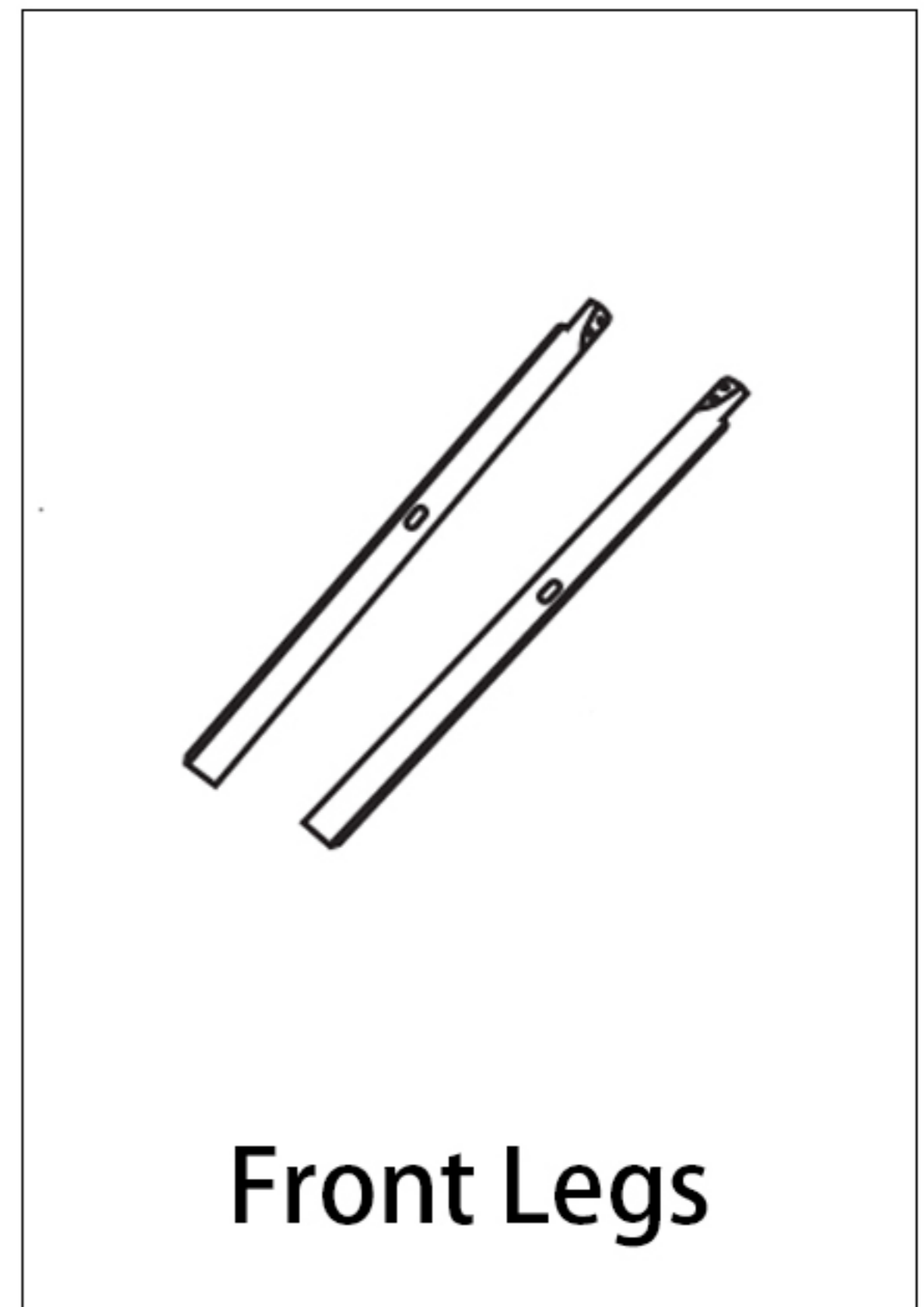
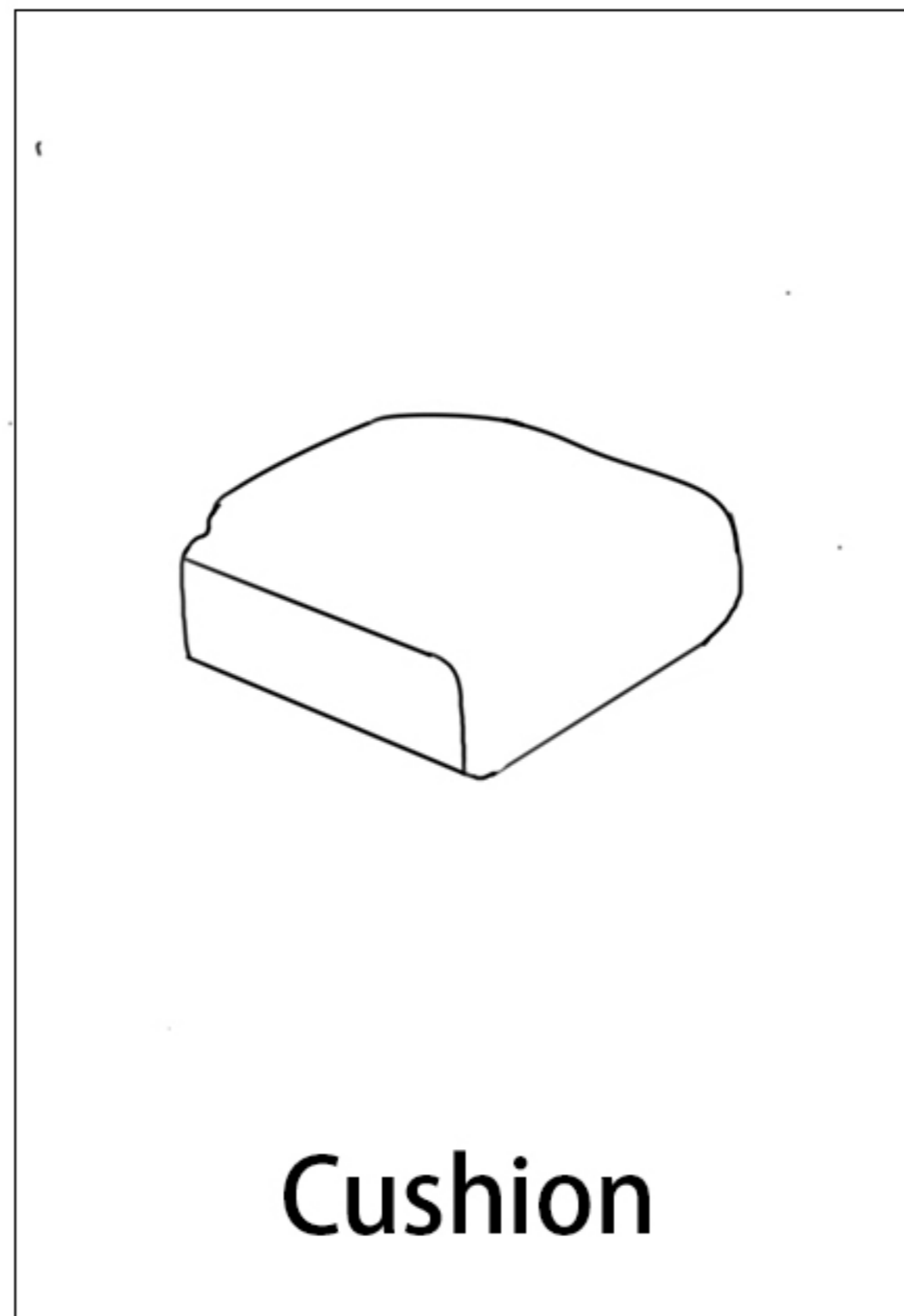
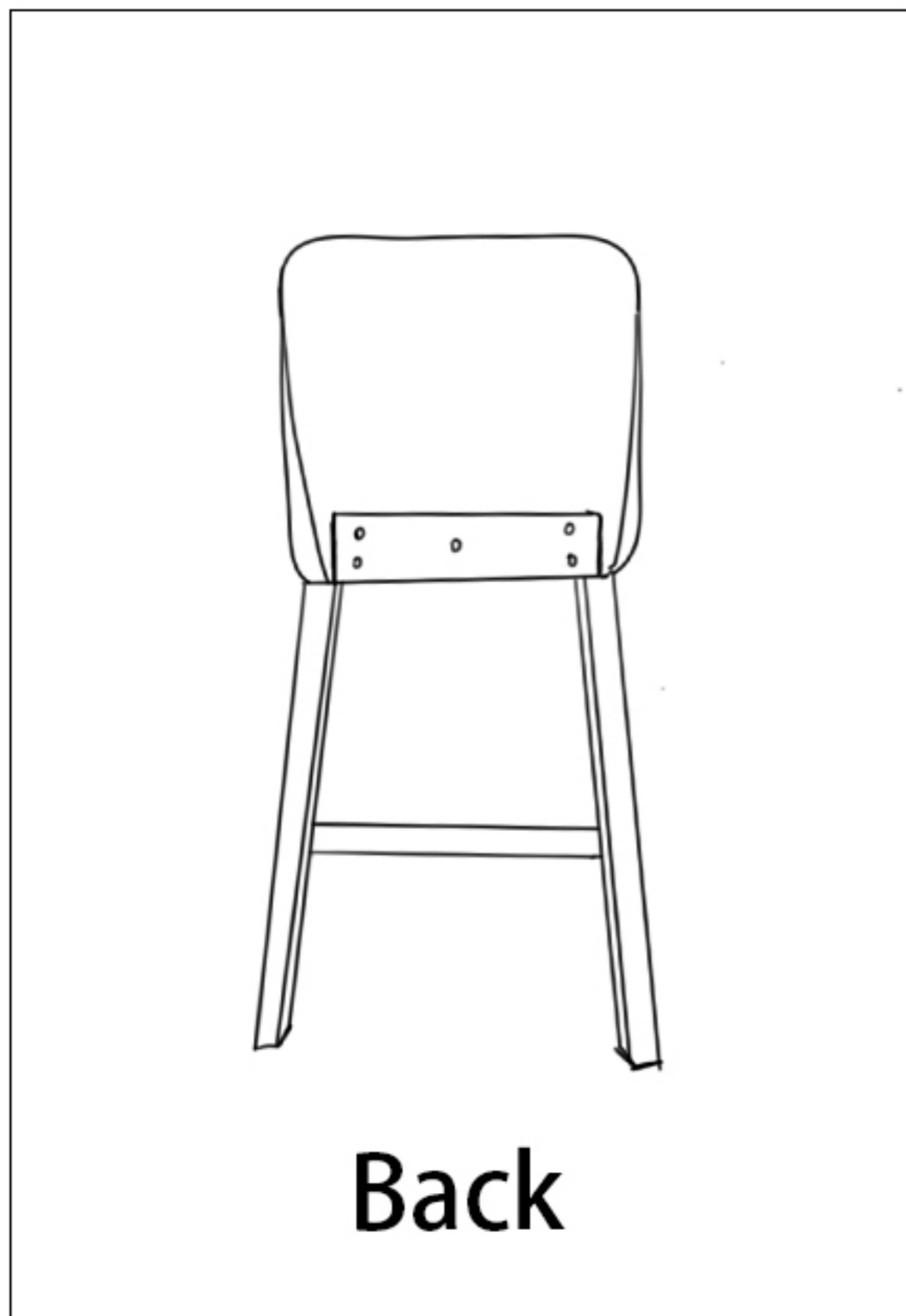
If the product is damaged, please send the following information:

- Photos that show the reason for your claim/damage.

- Photos of the packaging (inside and outside).

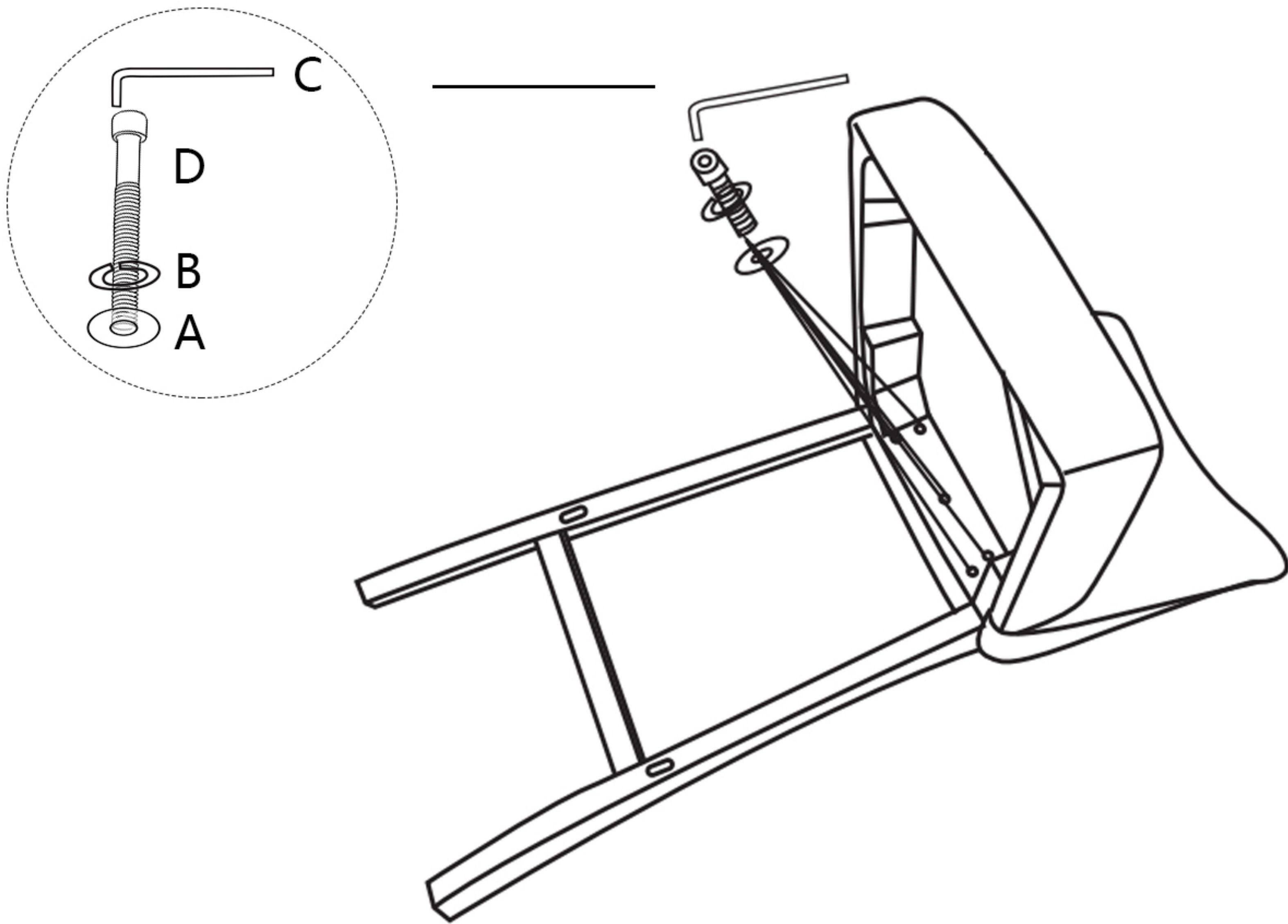
Thank you very much for your support!

# Package Contents

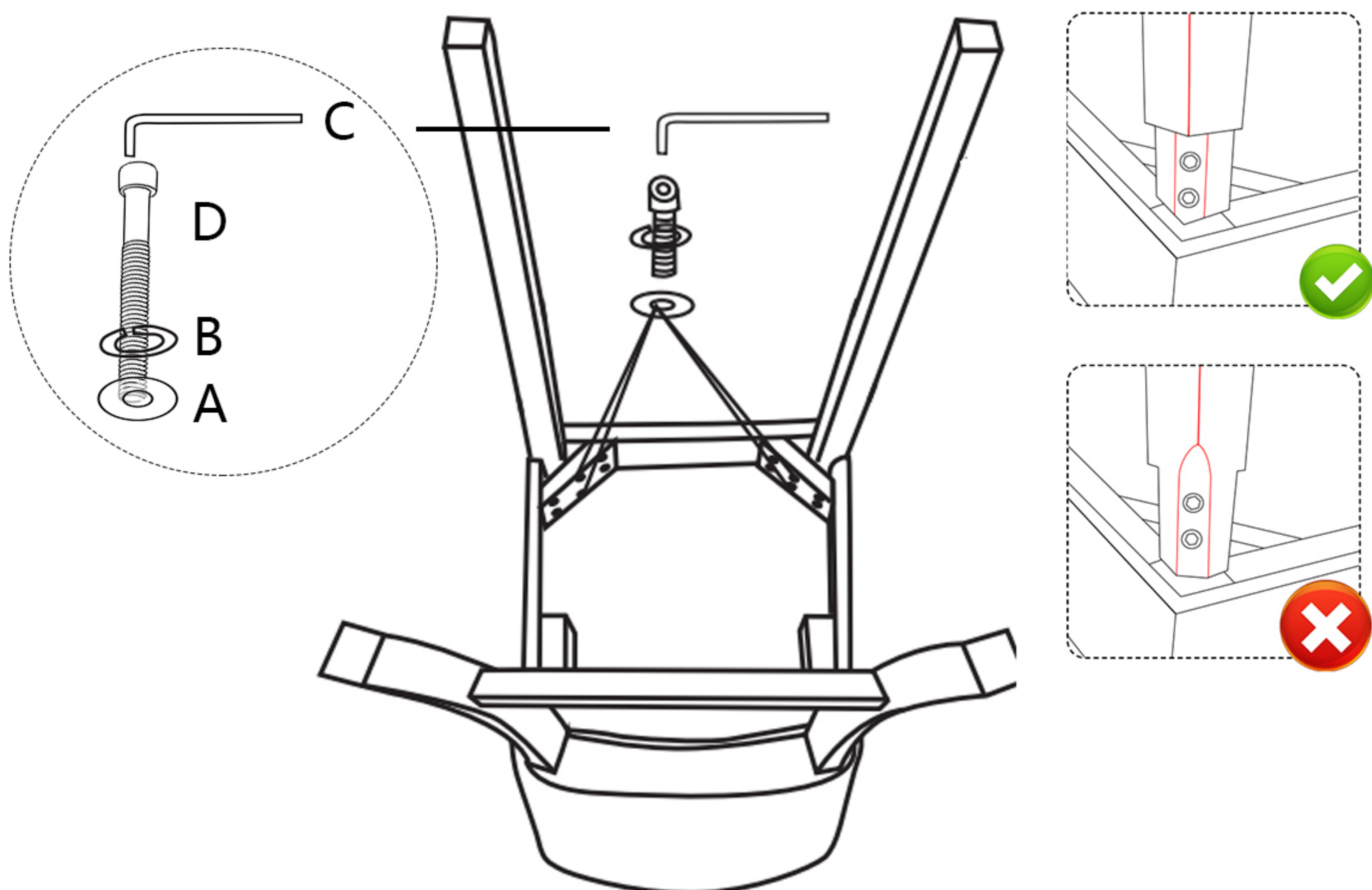


# Step by Step Guide

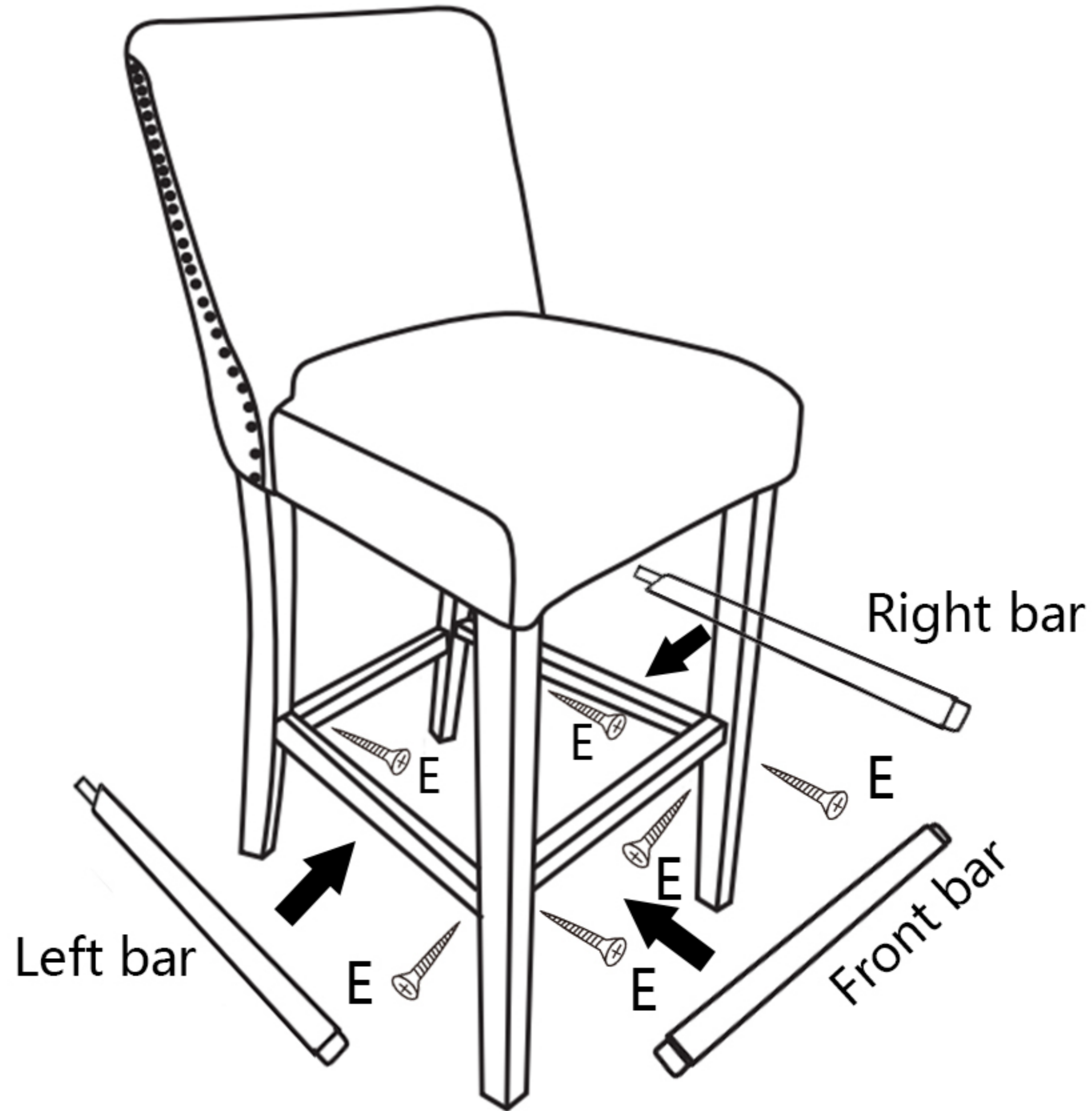
- 1 Loosely install the center bolt first, then loosely install both sides.



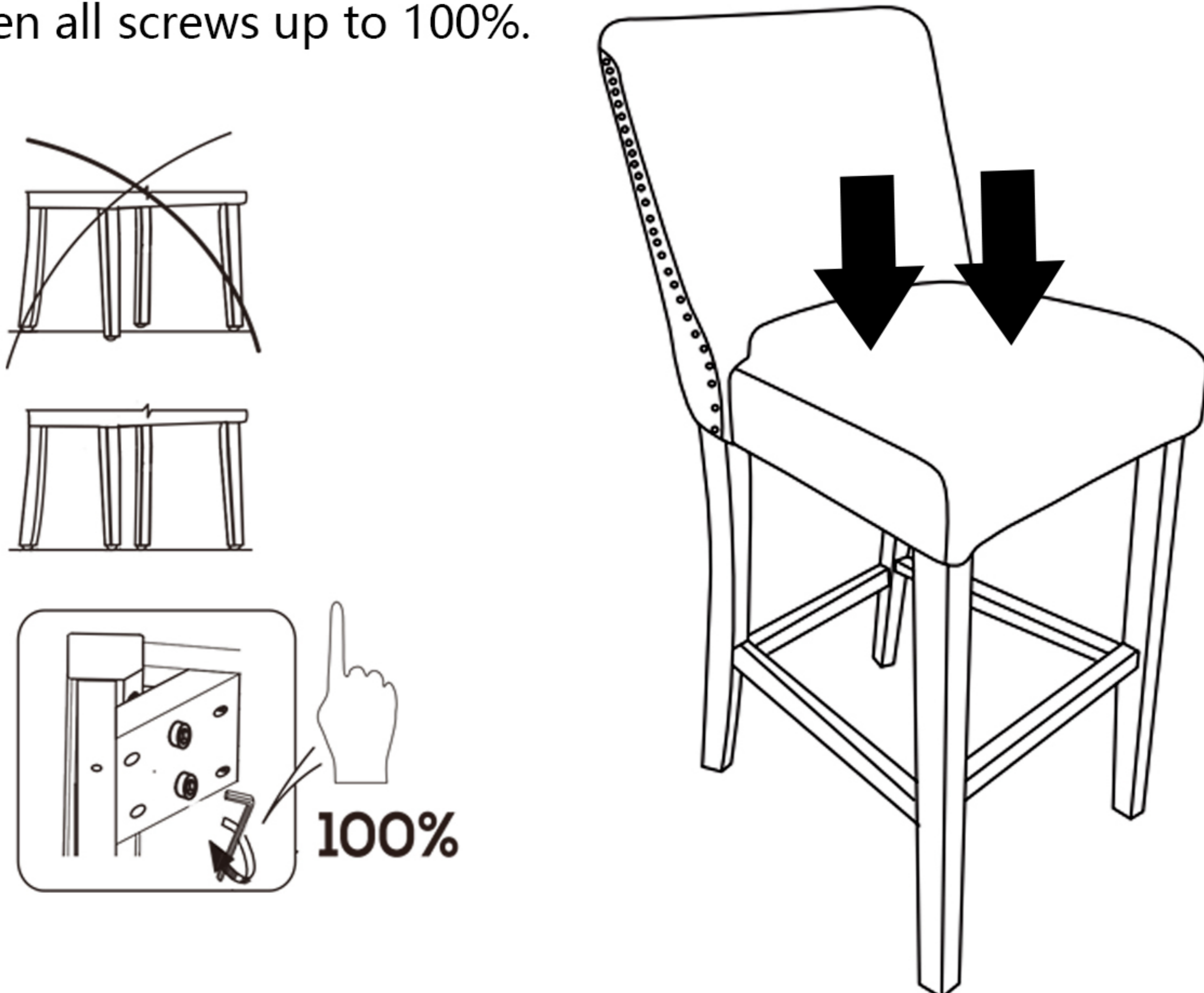
- 2 Take legs to align the hole of the seat by using screws (D) with washers (#A, B).  
Just tighten them up to 60-80%.

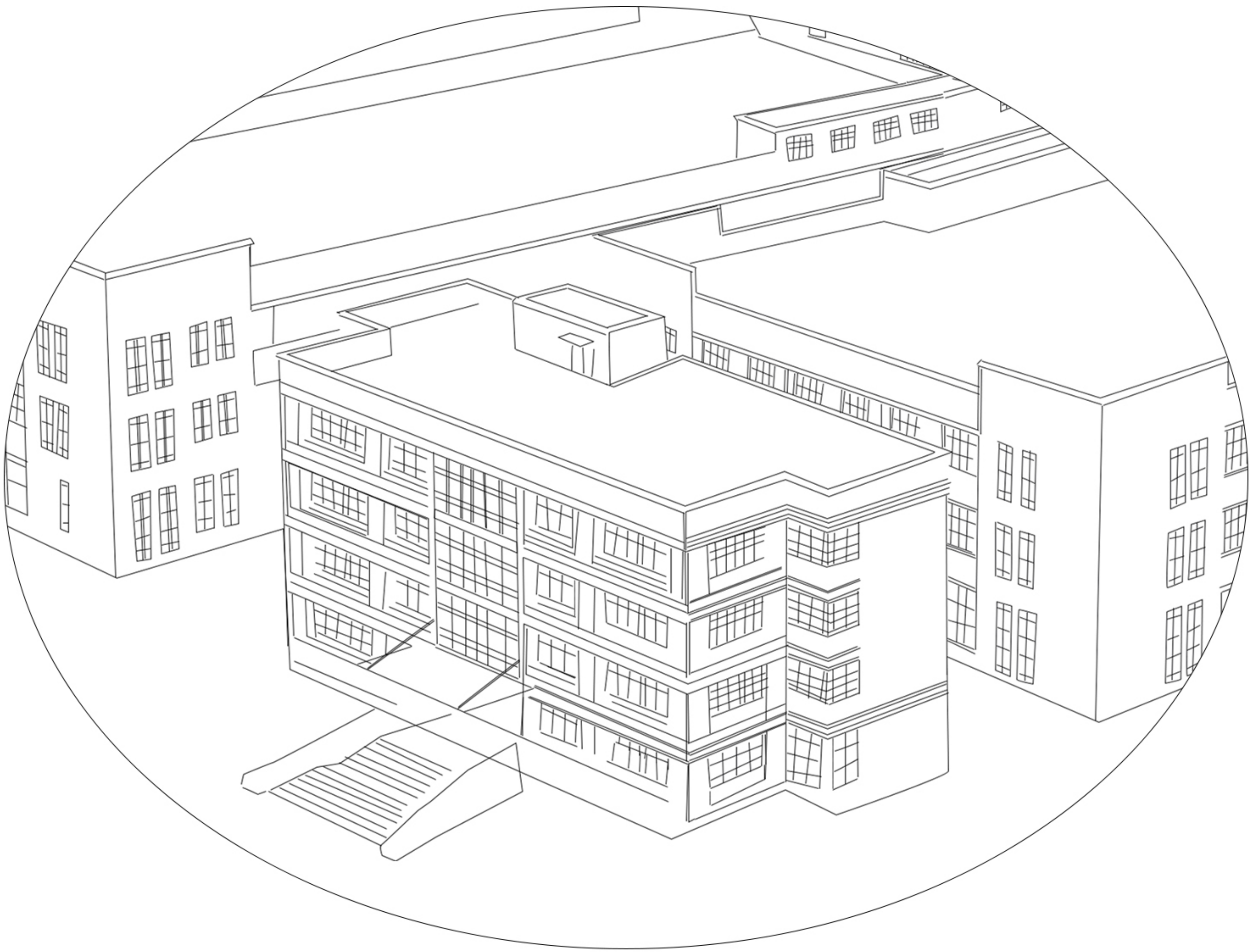


- 3** Take the bars to align the holes of the legs by using screw (E) with washer (#A, B).  
Just tighten them up to 60-80%.



- 4** Sit on the barstools, be sure that all 4 feet touch the ground and that are leveled.  
Tighten all screws up to 100%.





## About us

We are a professional manufactory for making and selling dining chairs. In the past 15 years, we have exported millions of chairs to Europe and USA.

We focus on providing you with high-quality products that meet international standards. To ensure timely shipping, we have built large warehouses in California, New York, and Georgia.