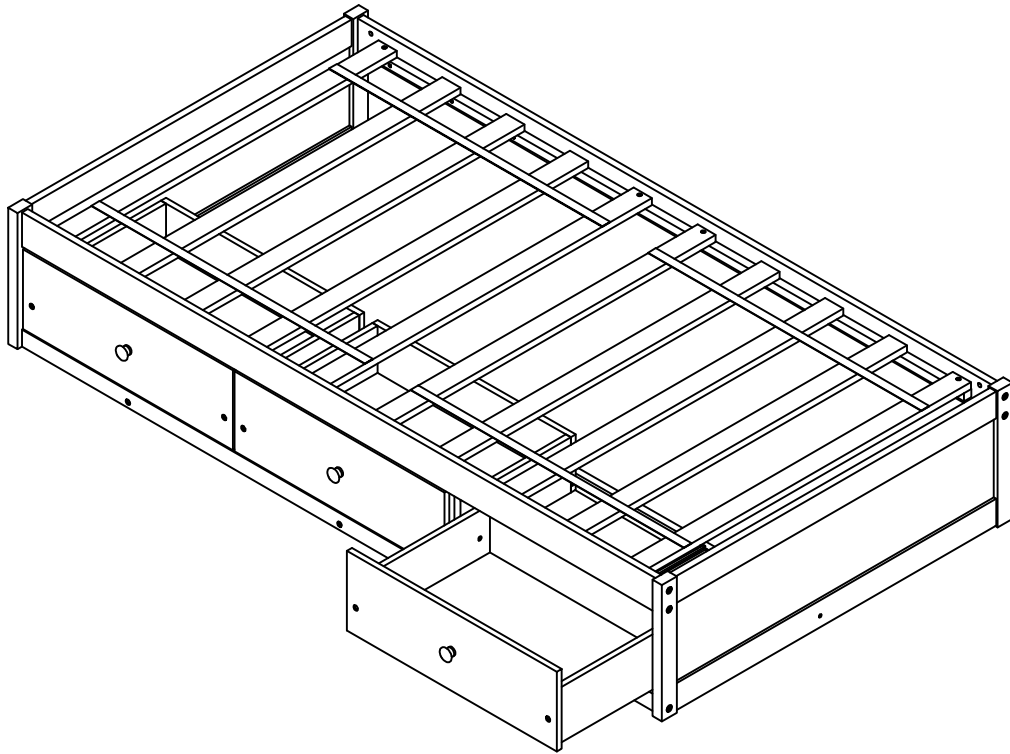
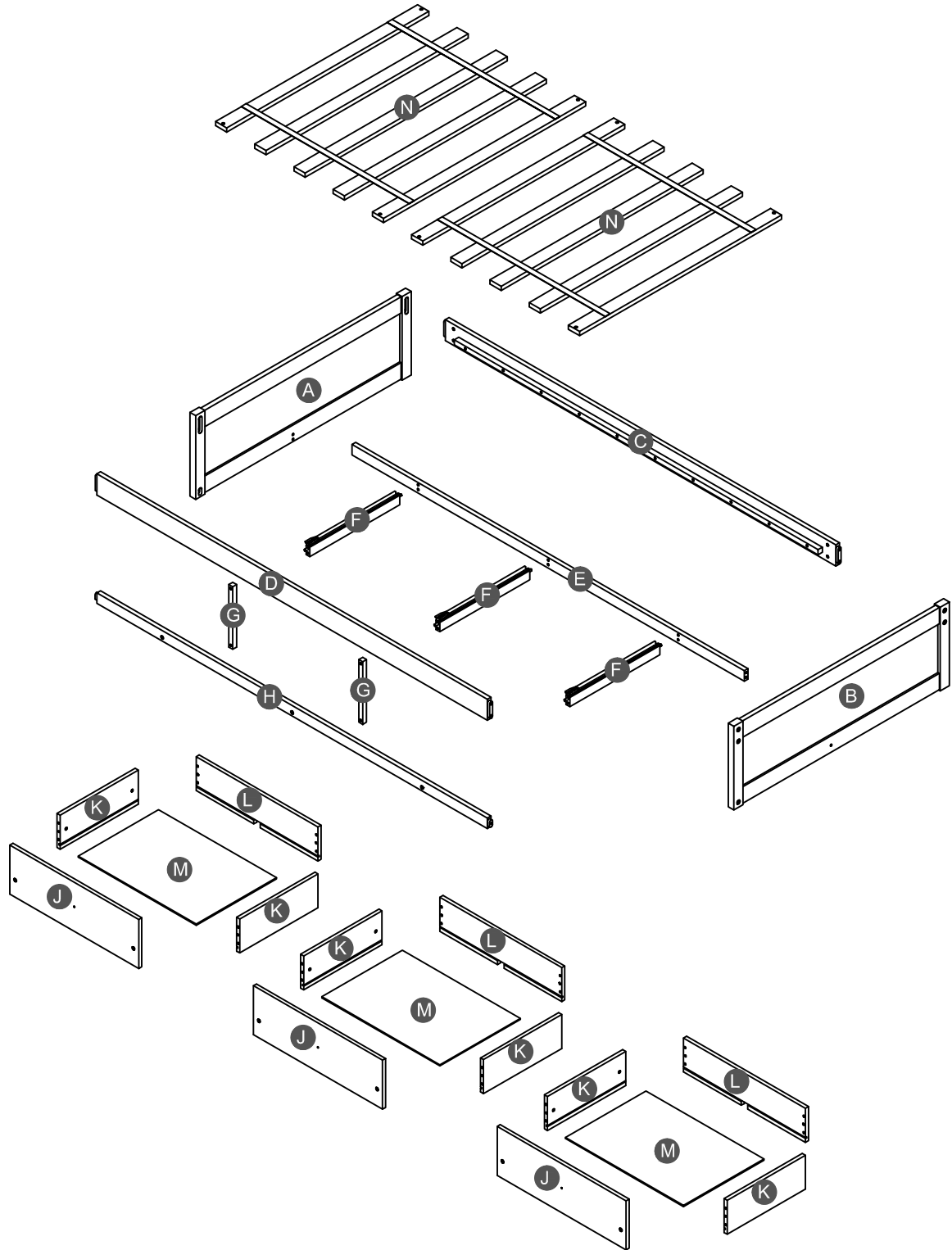


ASSEMBLY INSTRUCTIONS

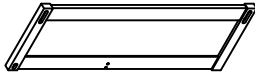
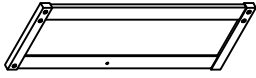

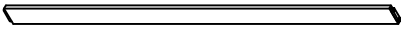
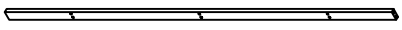

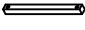
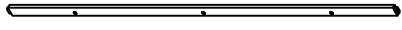
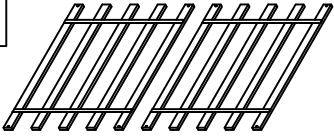
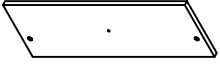
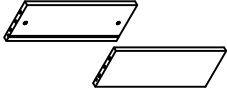


BED WITH 3 DRAWER



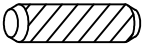
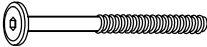









Detail View



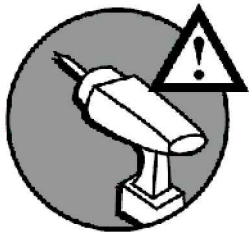
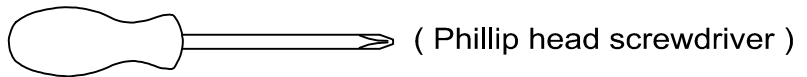
Part List

A  Headboard - 1pc	B  Footboard - 1pc	C  Side Rail (Back) - 1pc
D  Side Rail (Front) - 1pc	E  Support Rail - 1pc	F  Support Drawer - 3pcs
G  Support - 2pcs	H  Drawer Side Rail - 1pc	N  Slats -2set (5pcs/set)
J  Drawer Front - 3pcs	K  Drawer Left/Right - 6pcs	L  Drawer Back - 3pcs
M  Drawer Bottom - 3pcs		

Hardware List



1  Ø8*30mm Wood dowel (26pcs)	2  (Ø15)1/4"*70mm Hex-Head bolts (10pcs)	3  1/4"*15 (9.5mm) Horizontal-Hole bolts(30pcs)
4  (Ø12)1/4"*60mm Hex-Head bolts (20pcs)	5  Ø38*31mm Pine Knob (3pcs)	6  3/16"*25mm Ph zinc(Knob) (3pcs)
7  Ø4*30mm Wood screws (8pcs)	8  490*30mm Drawer slide (3pcs)	9  Ø4*15mm Wood screws (9pcs)
10  (Ø12)1/4"*30mm Hex-Head bolts (4pcs)	12  (1/4")4.5*58mm Allen key (1pc)	

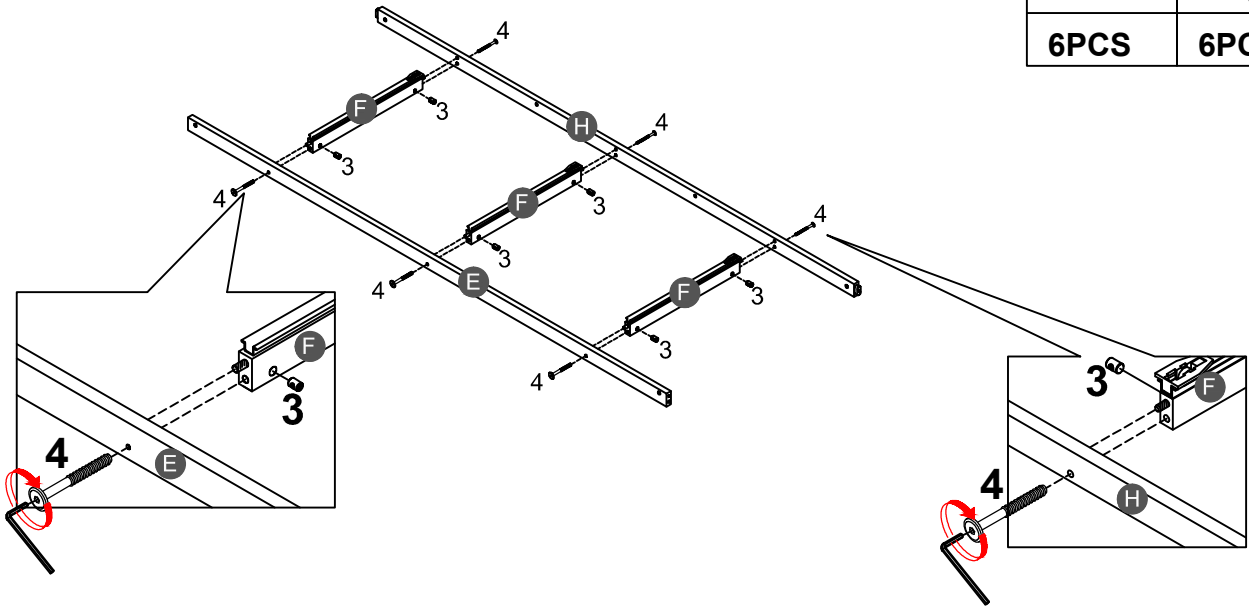
ASSEMBLY TOOLS REQUIRED (NOT INCLUDED)







DO NOT USE POWER TOOLS TO ASSEMBLE THIS PRODUCT !

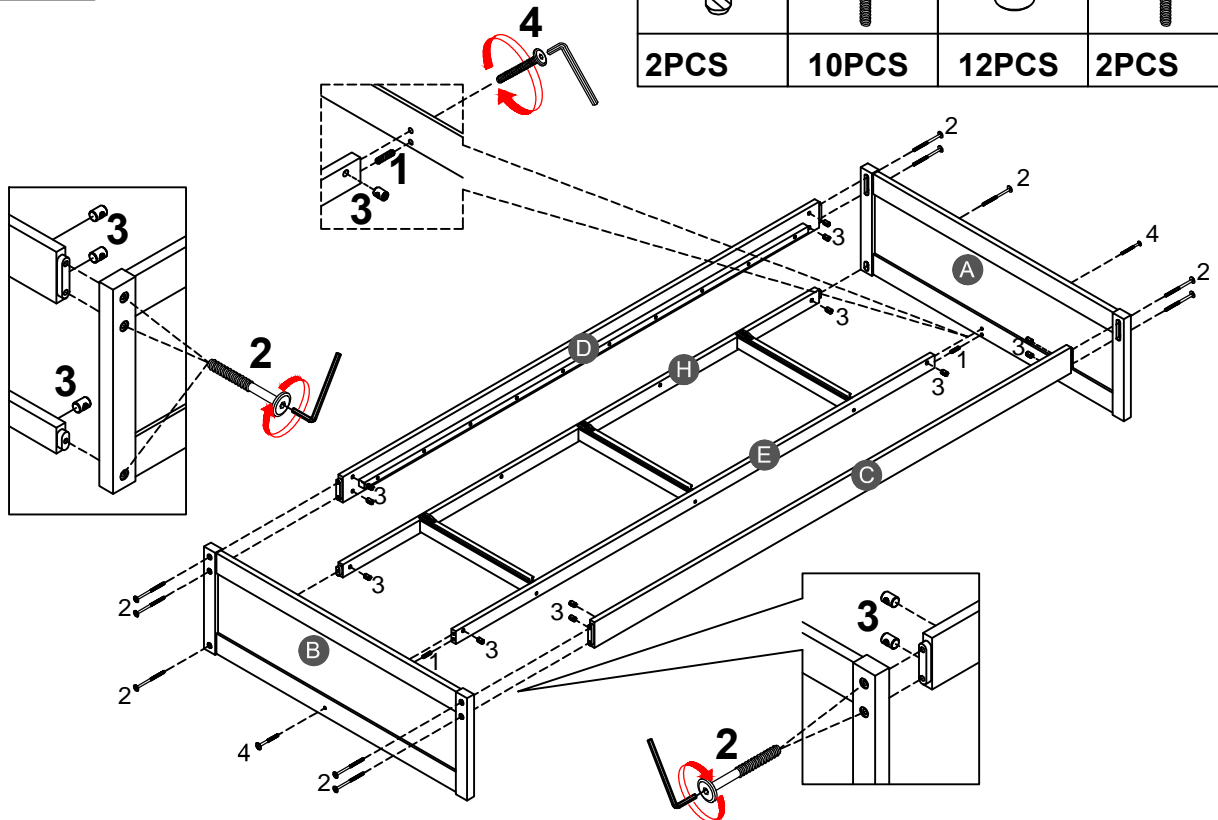
STEP 1:

3		4	
6PCS		6PCS	




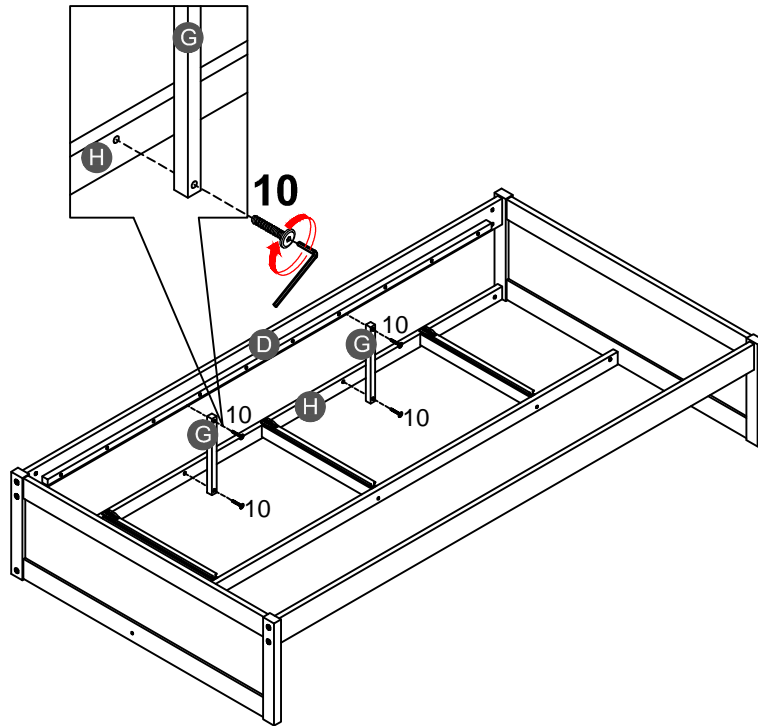
STEP 2:

1		2		3		4	
2PCS		10PCS		12PCS		2PCS	




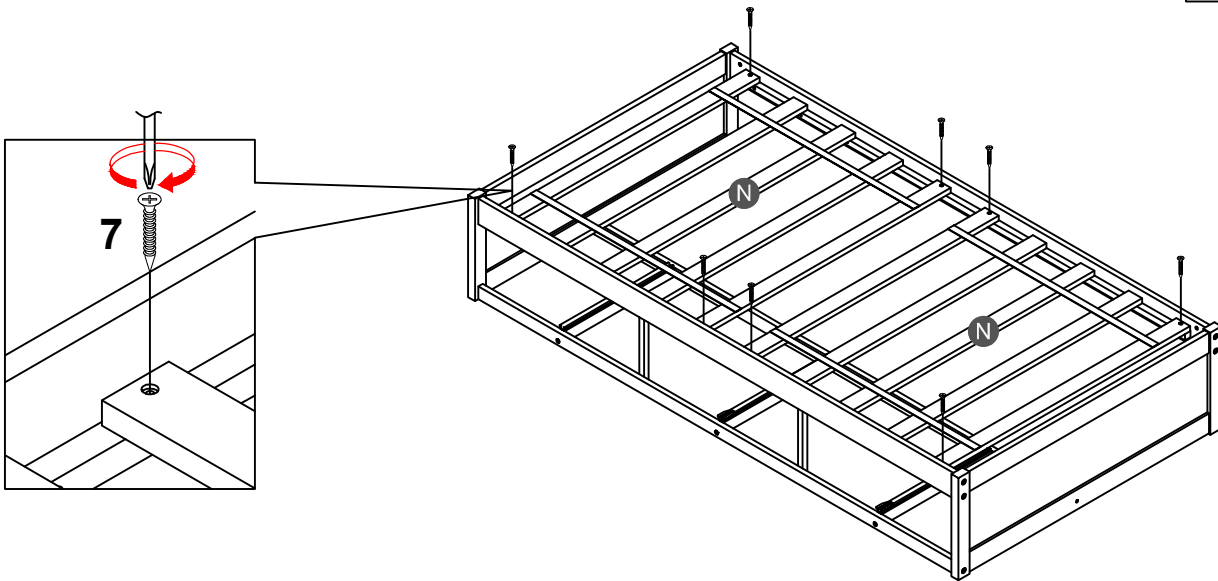
STEP 3:

10	
4PCS	

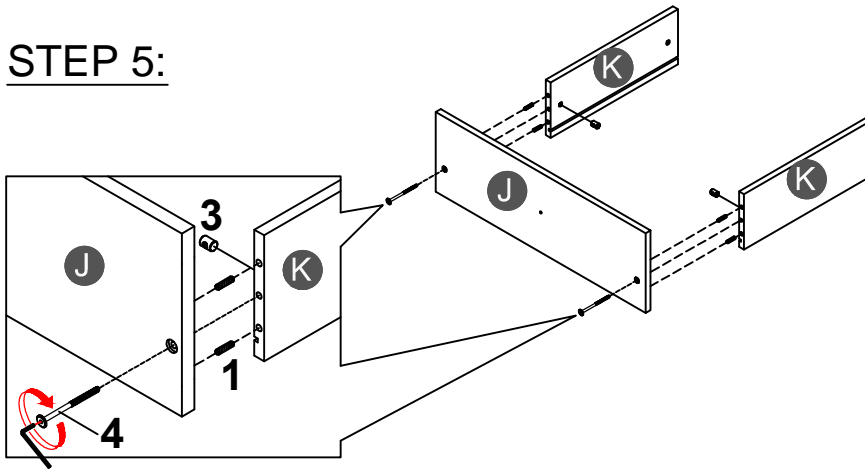


STEP 4:

7	
8PCS	



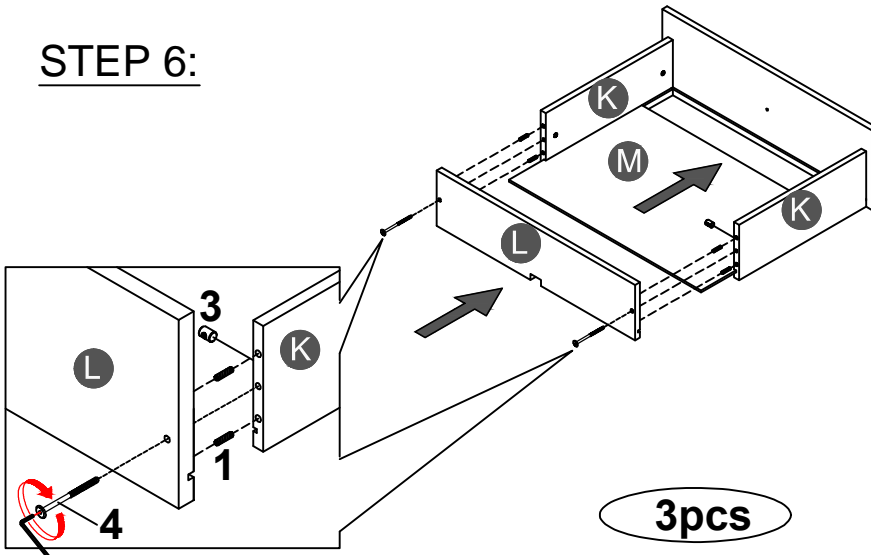
STEP 5:



1		3	
12PCS		6PCS	
		4	
		6PCS	

3pcs

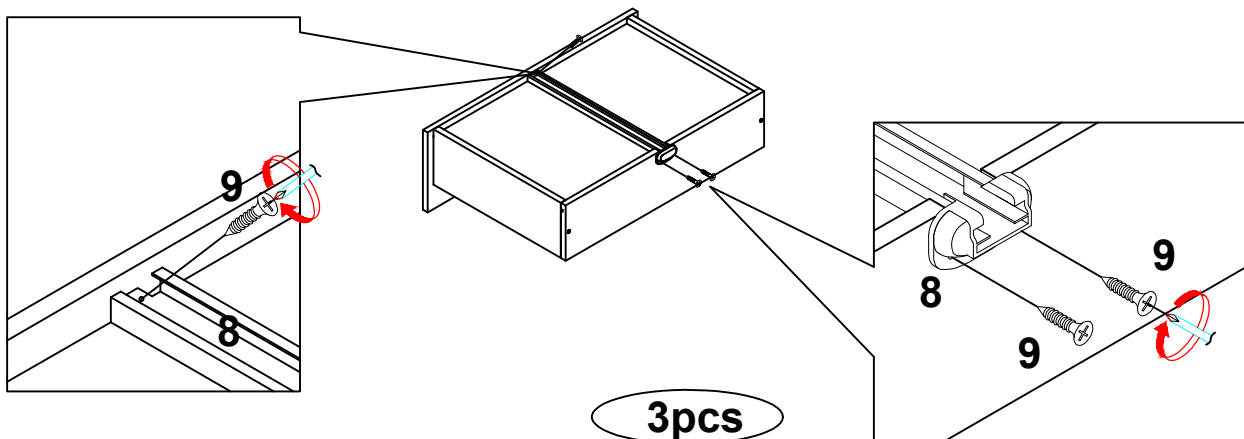
STEP 6:



1		3	
12PCS		6PCS	
		4	
		6PCS	

3pcs

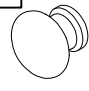

STEP 7:

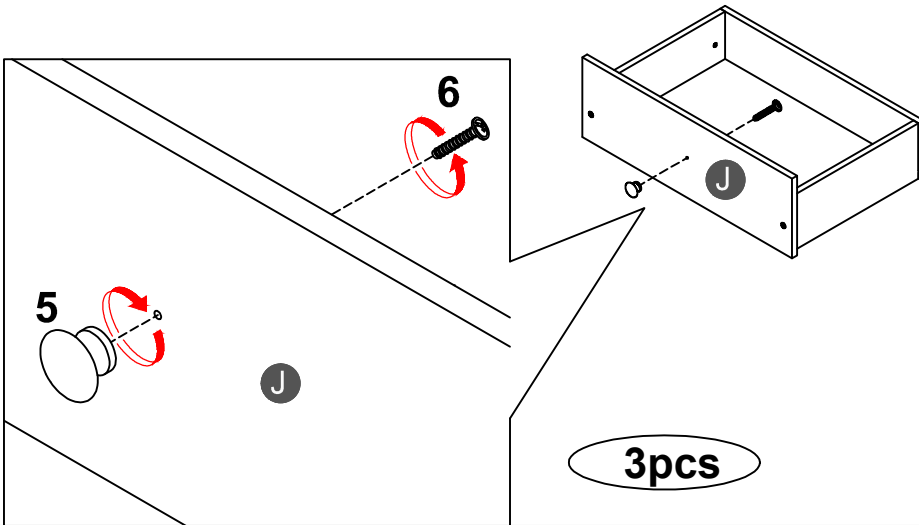


8		9	
3PCS		9PCS	

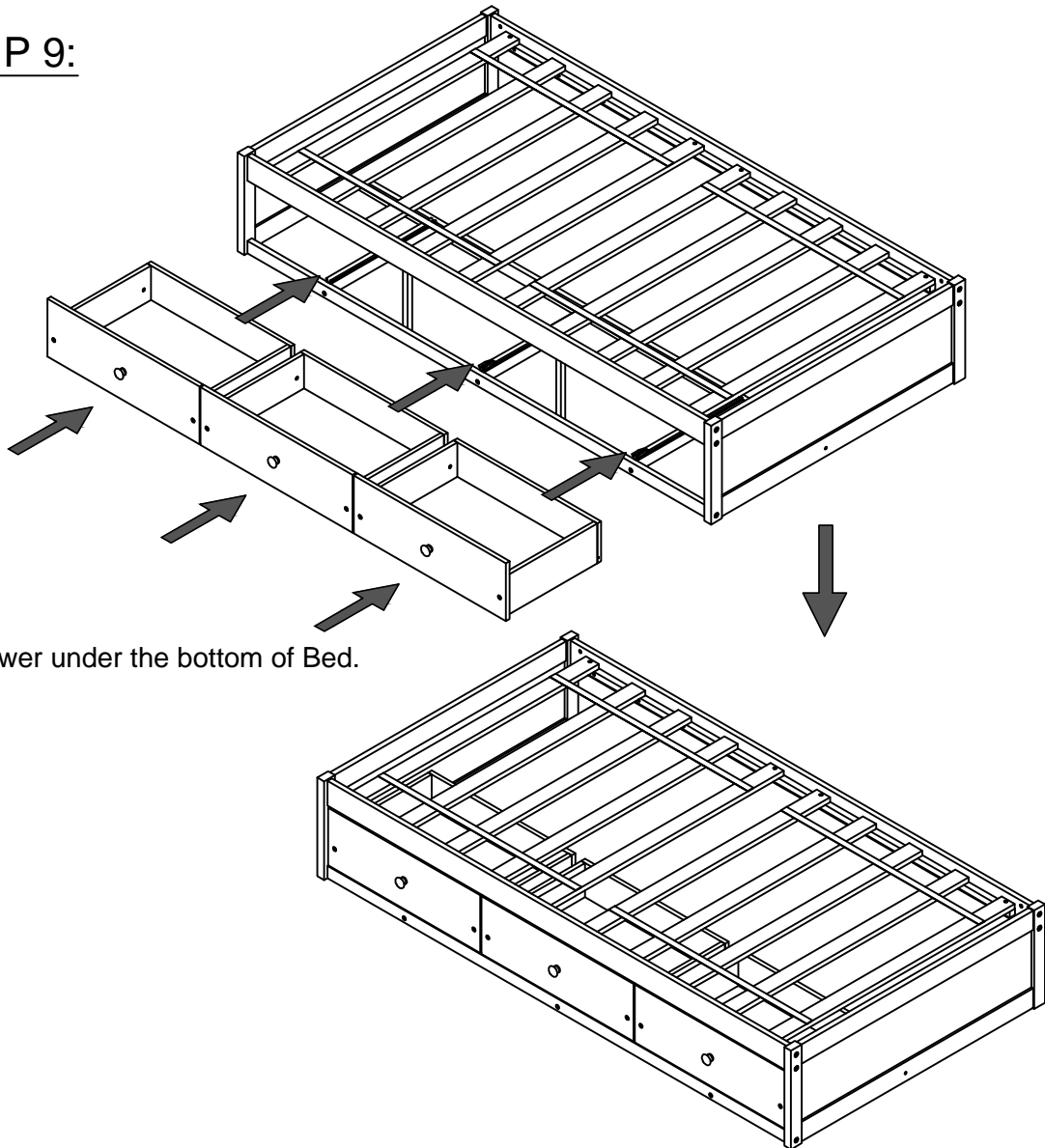
3pcs

STEP 8:

5		6	
3PCS		3PCS	



STEP 9:



Push Drawer under the bottom of Bed.