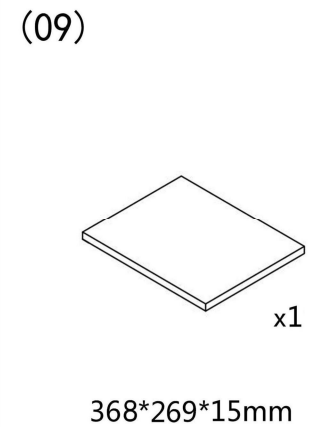
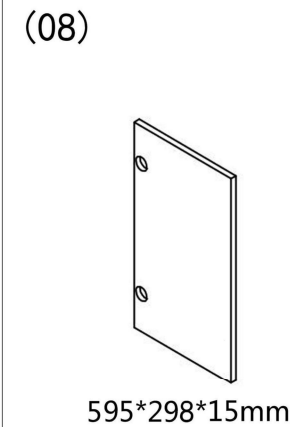
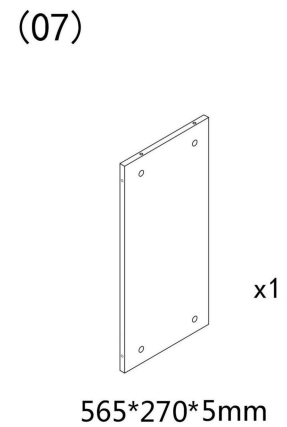
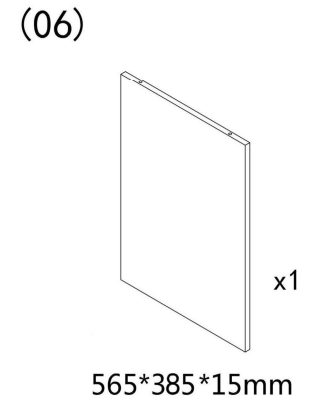
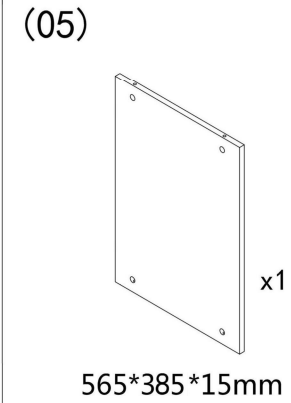
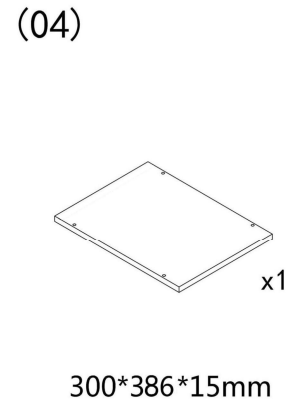
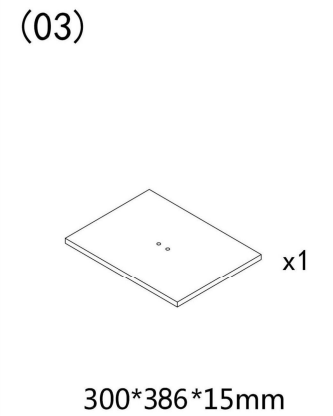
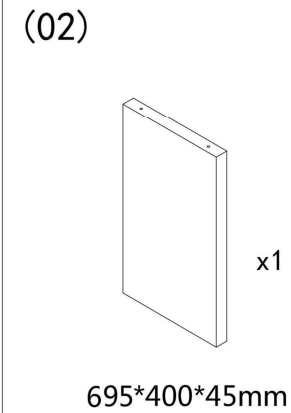
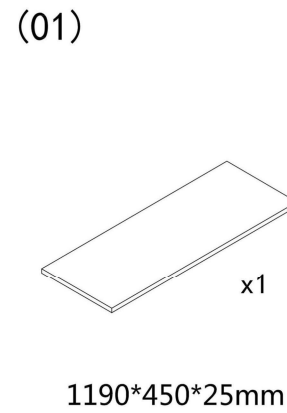
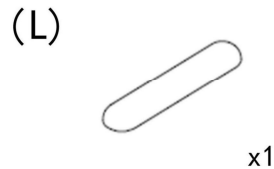
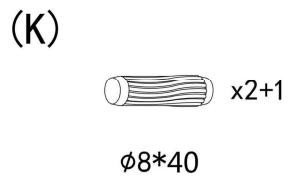
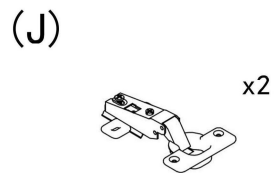
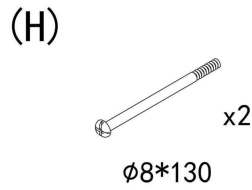
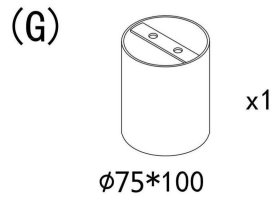
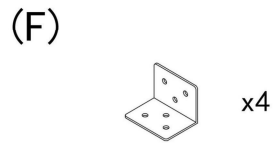
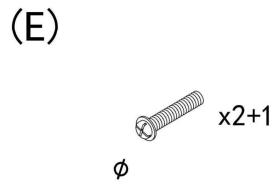
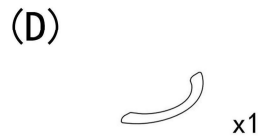
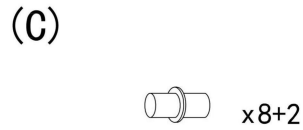
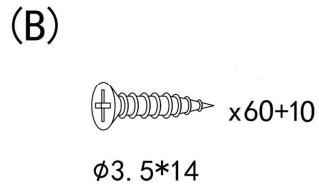
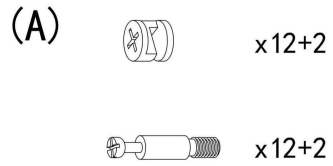
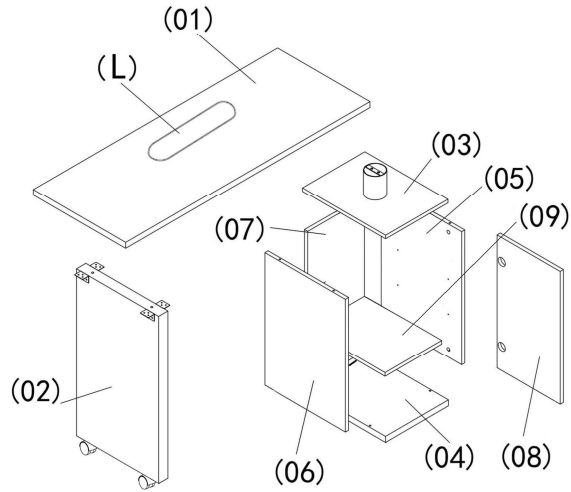
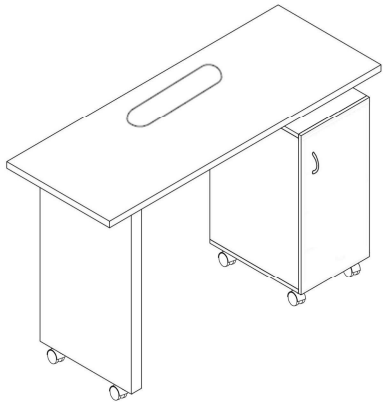
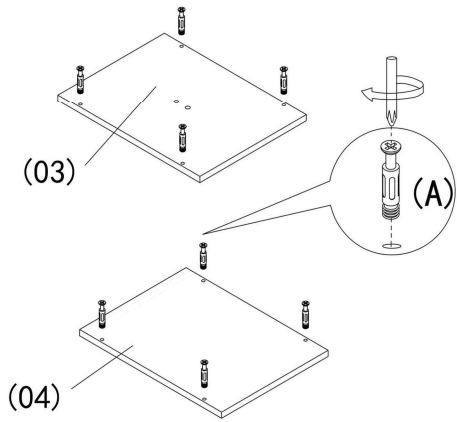


Assembly Drawing

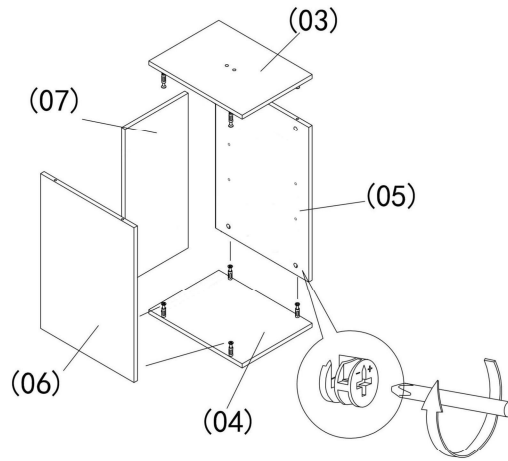
MT-C



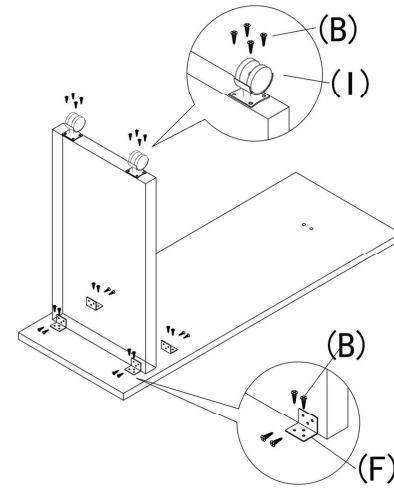
STEP:1



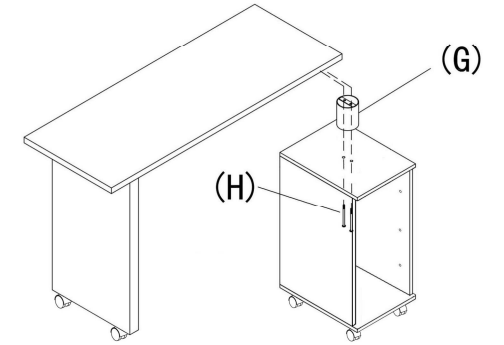
STEP:2



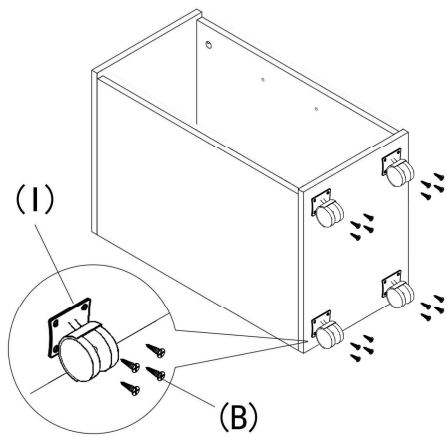
STEP:5



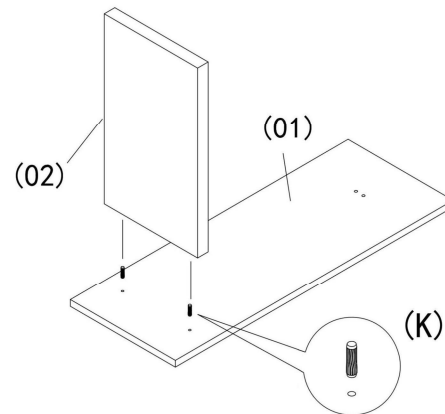
STEP:6



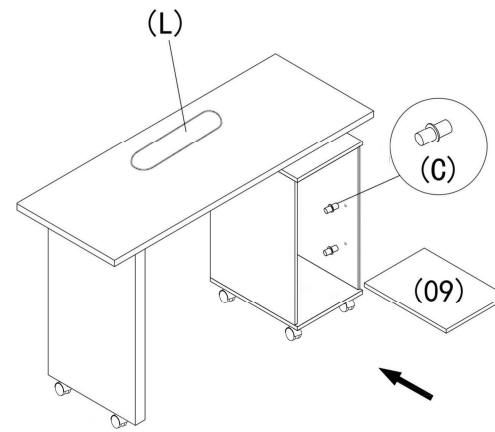
STEP:3



STEP:4



STEP:7



STEP:8

