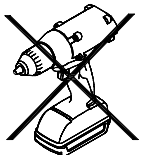
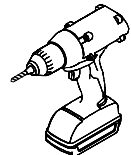
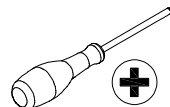
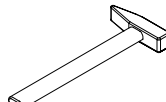
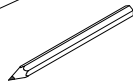
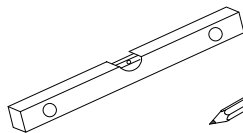
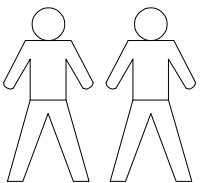
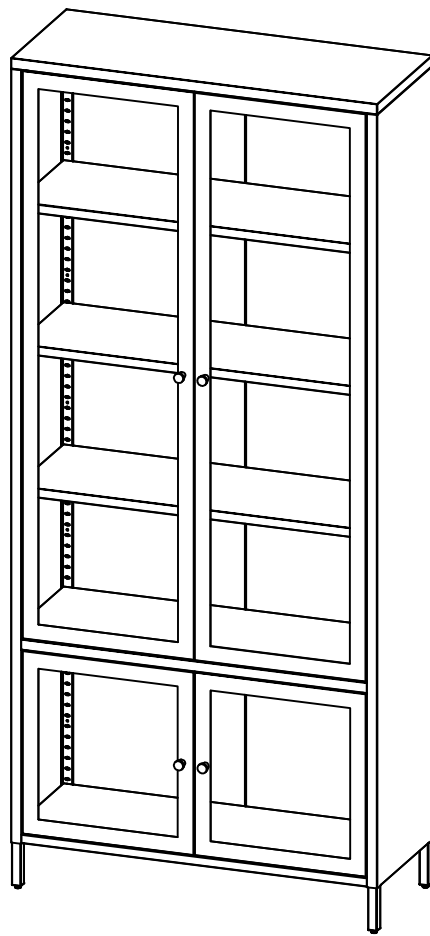
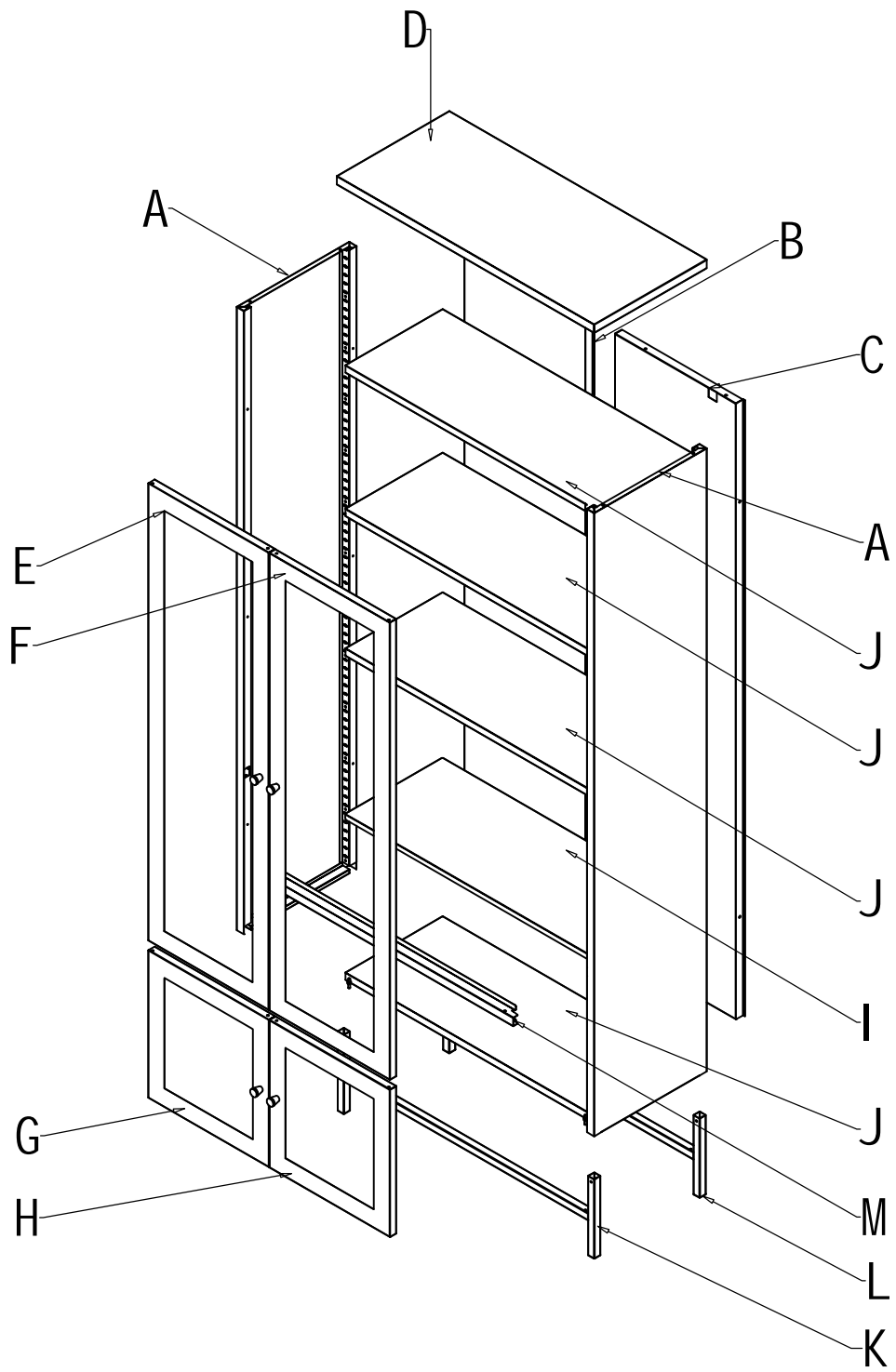


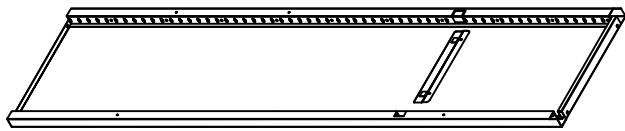
ASSEMBLY INSTRUCTION



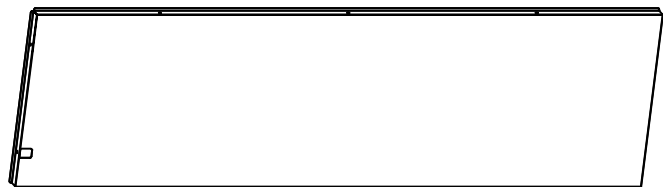
1/9



A*2



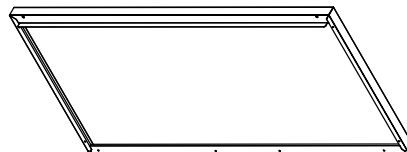
B*1



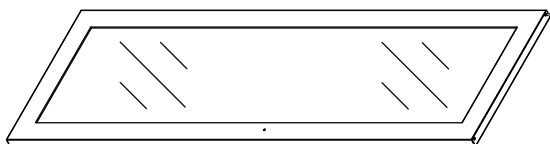
C*1



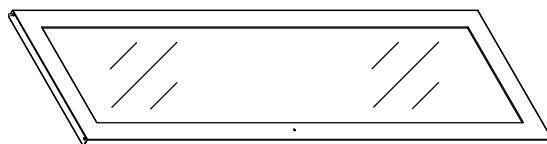
D*1



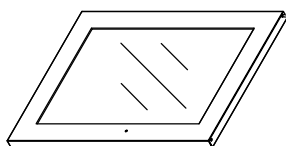
E*1



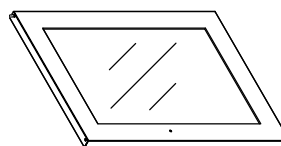
F*1



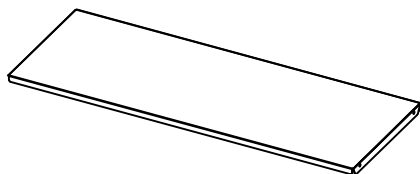
G*1



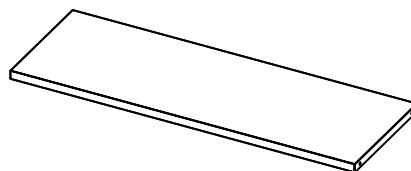
H*1



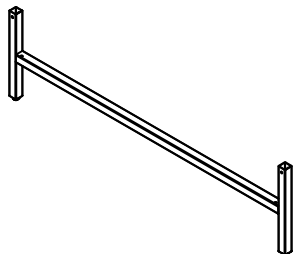
I*1



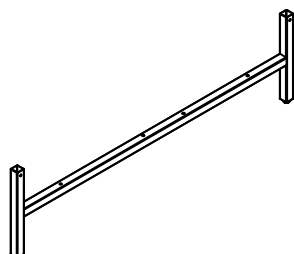
J*4



K*1



L*1



M*1



a



×4

b



×12

c



×4

e



×8

f



×25

g



×4

h



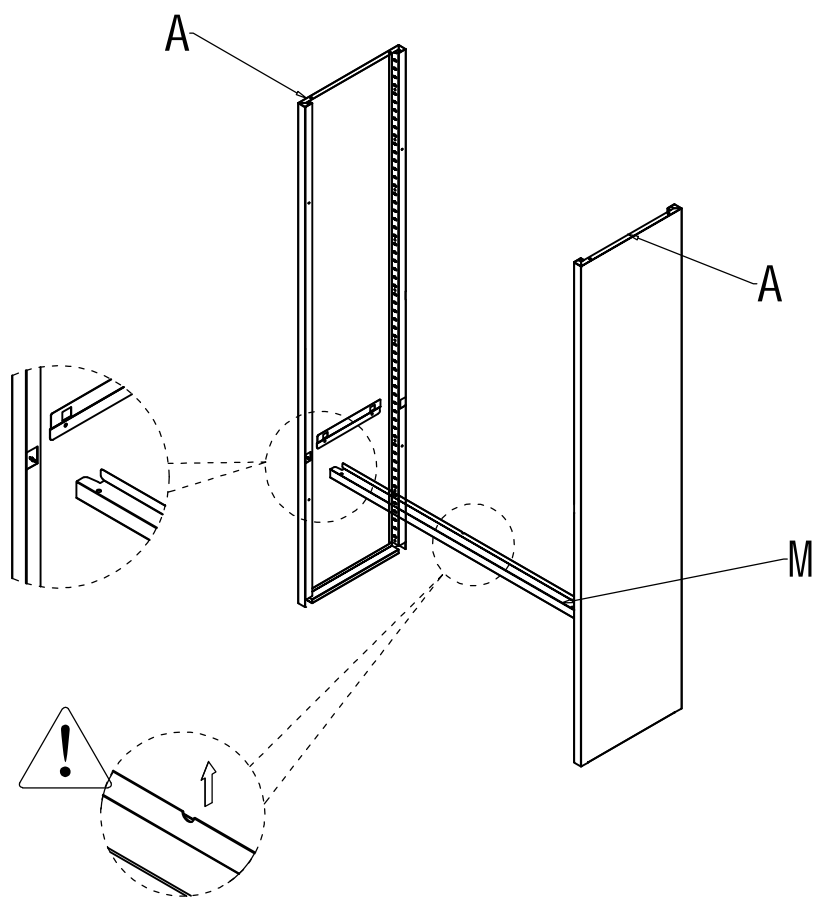
×2

i

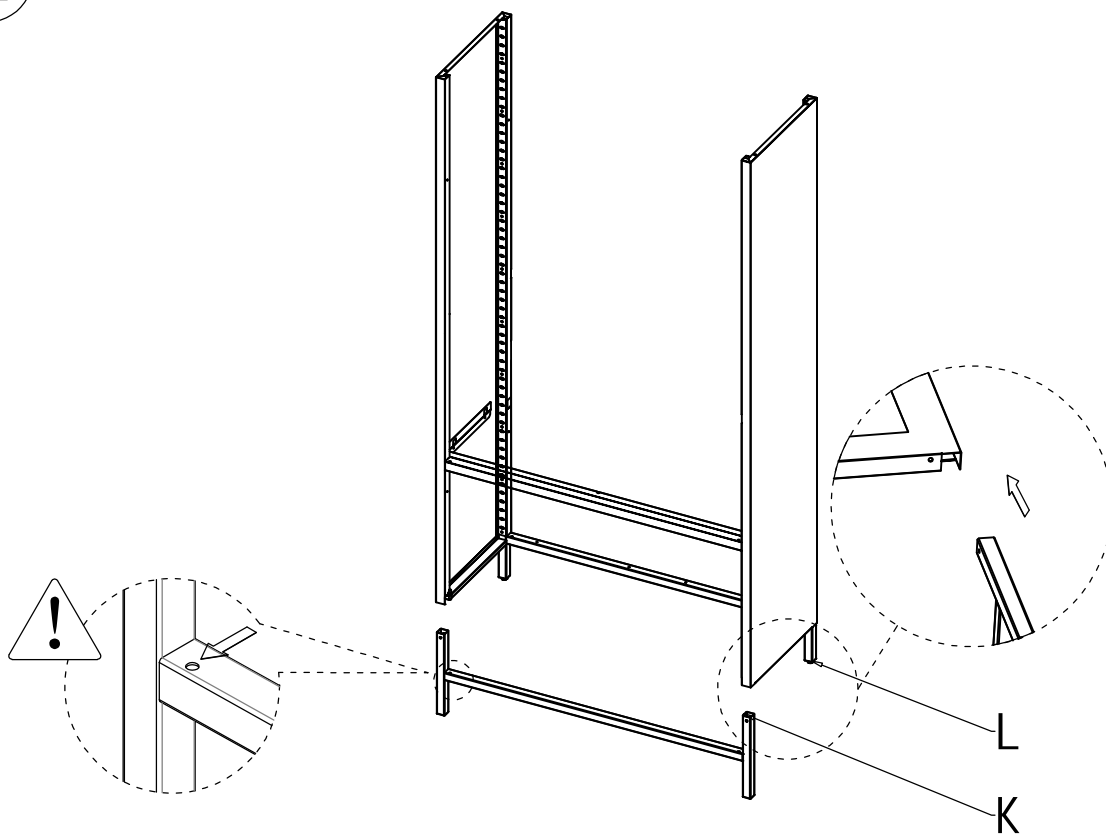


×2

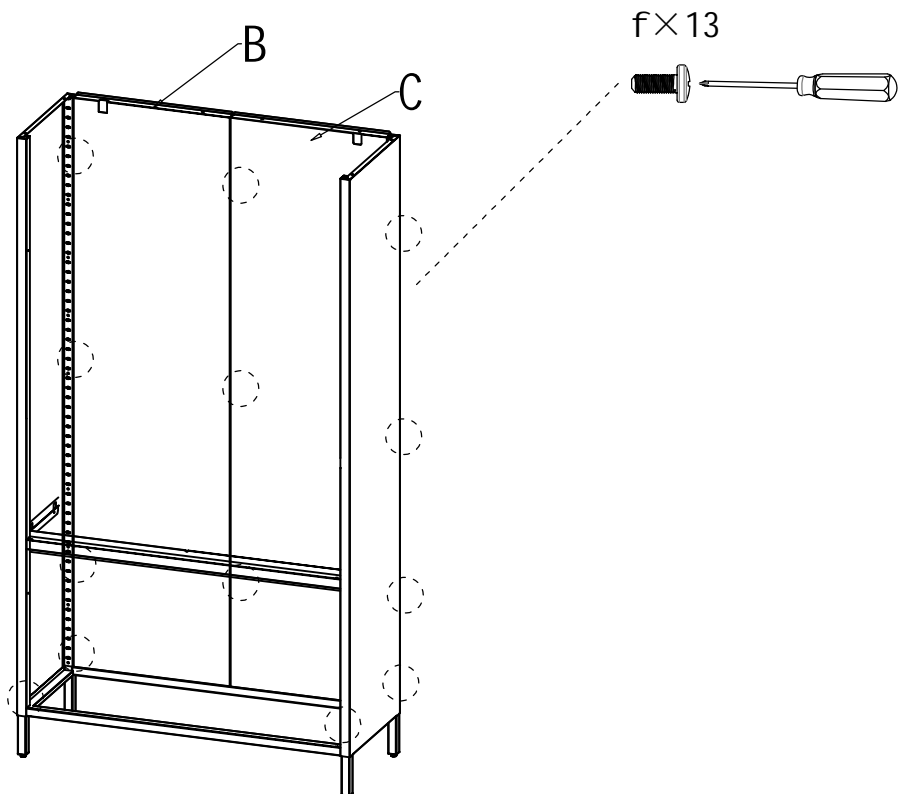
1



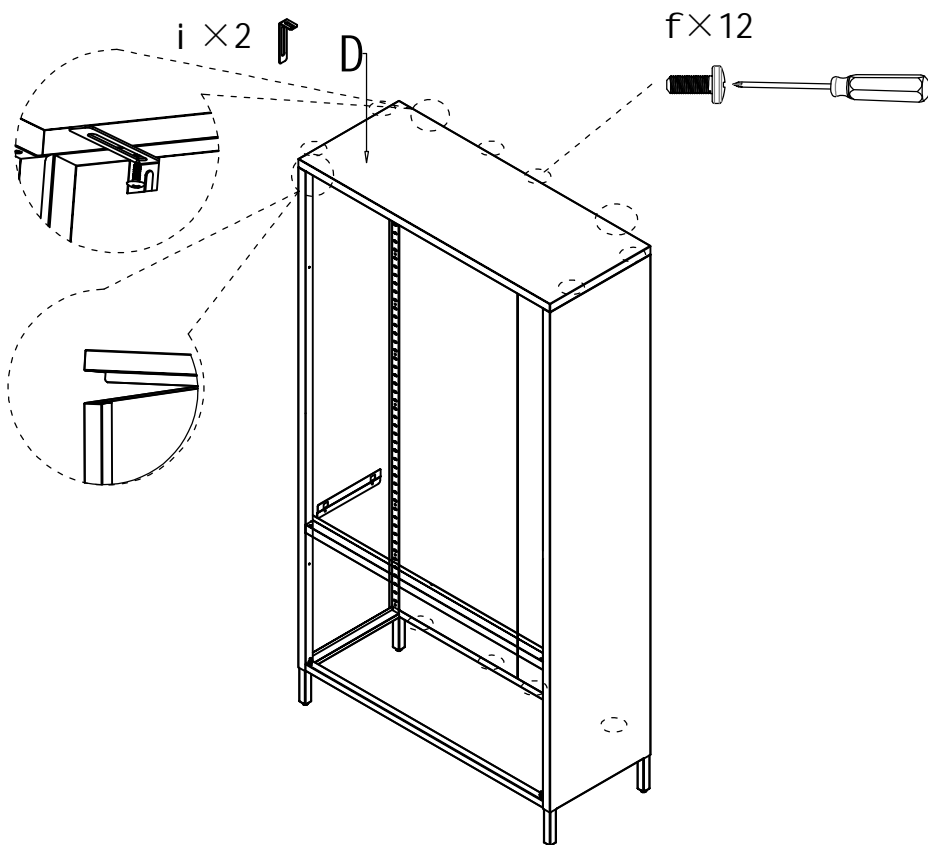
2



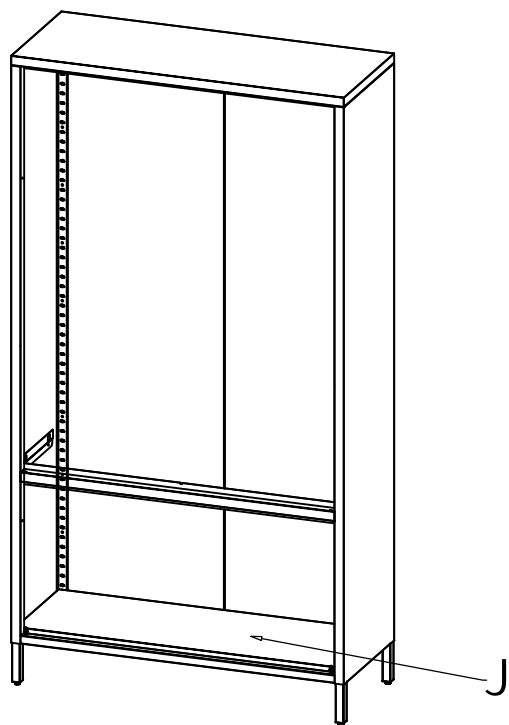
3



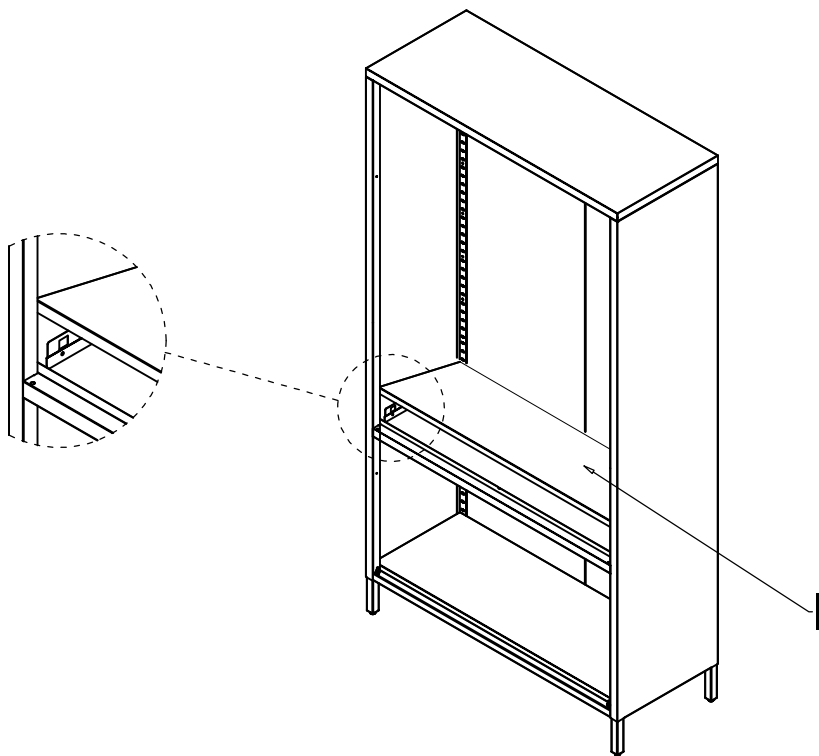
4



5

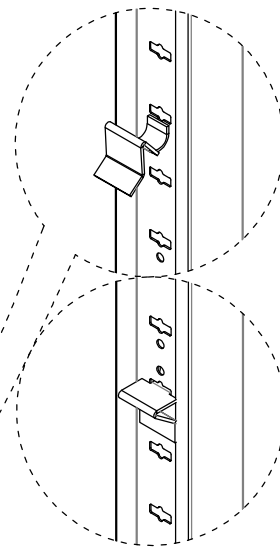
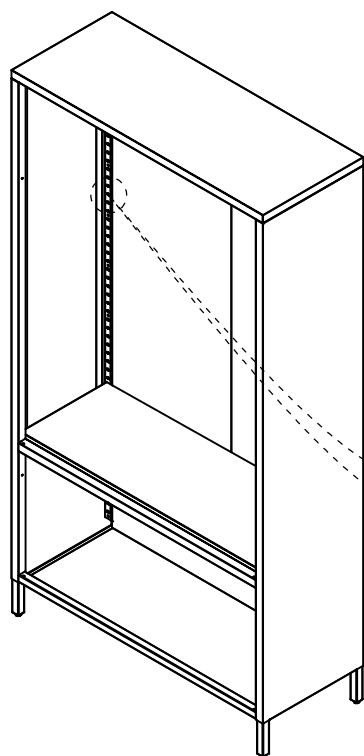


6

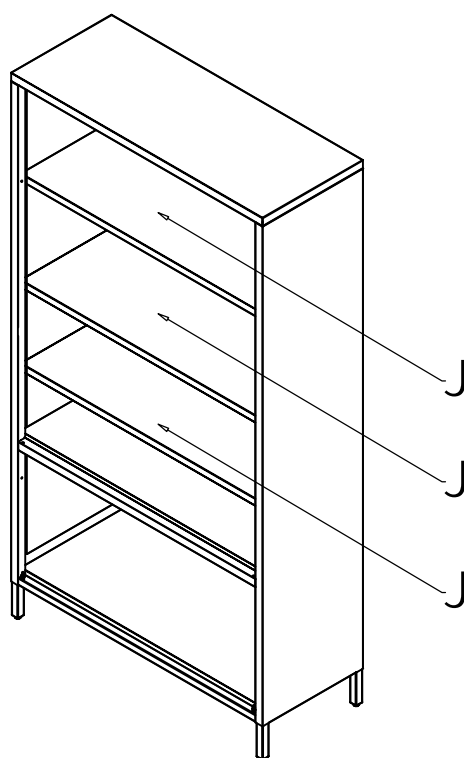


7

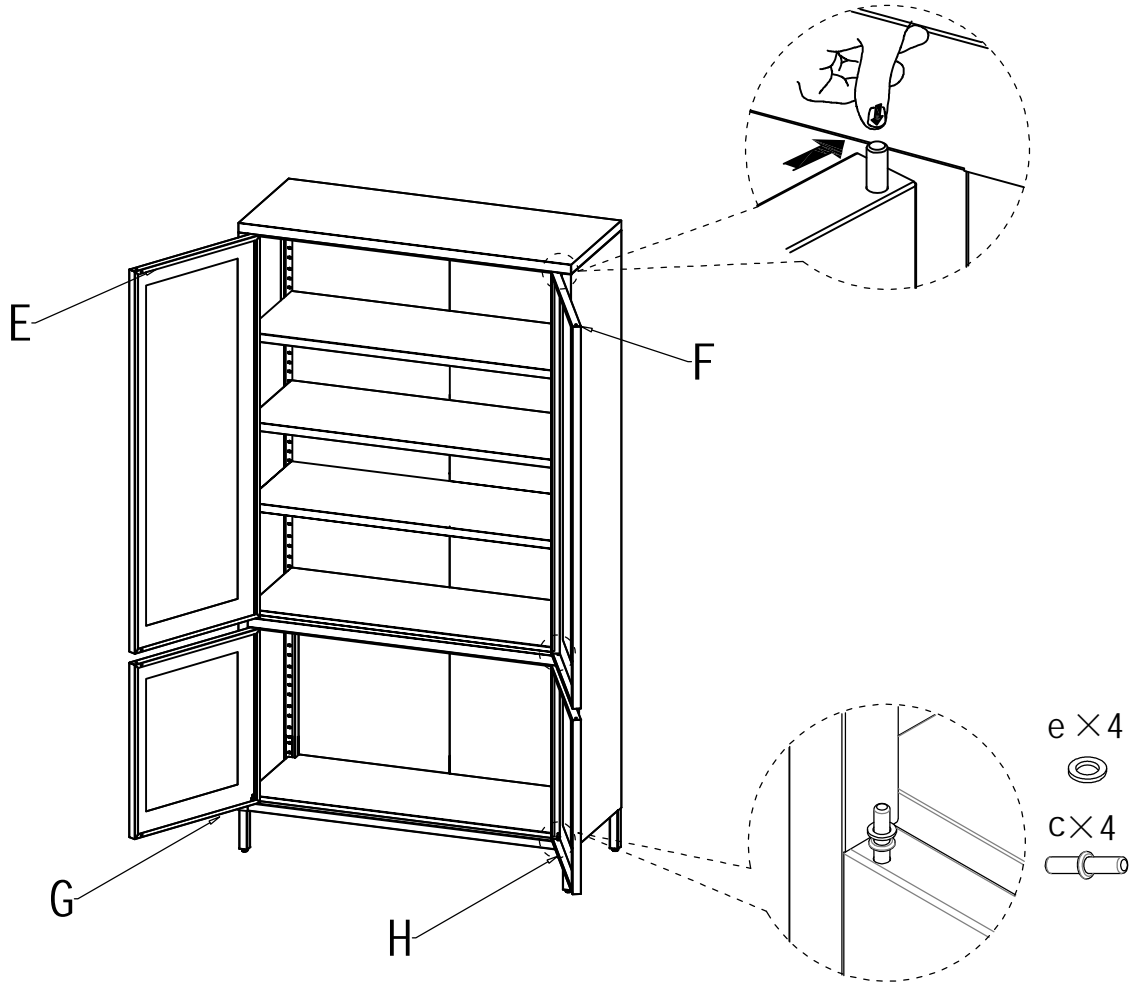
b × 12



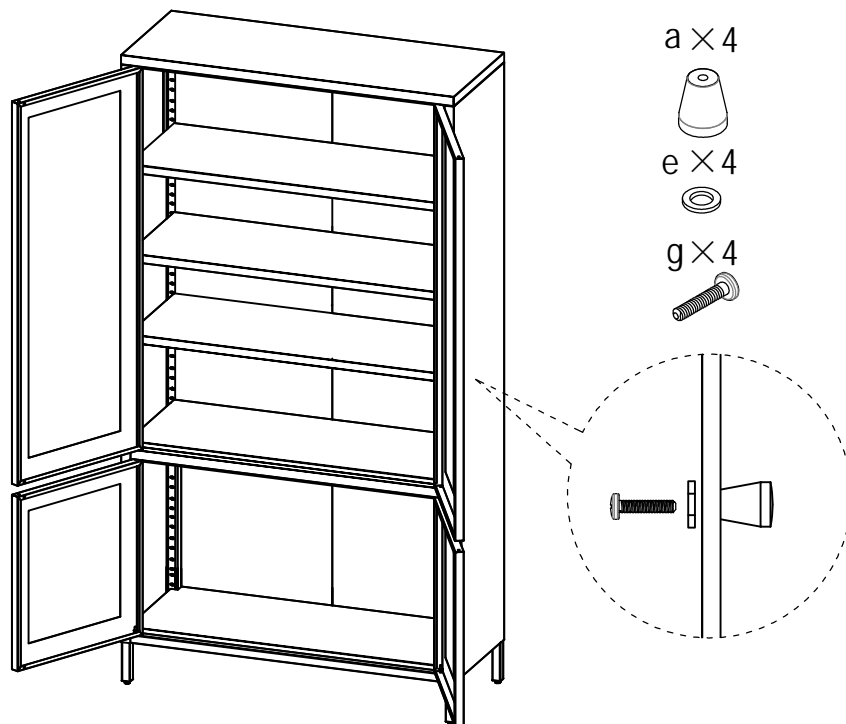
8



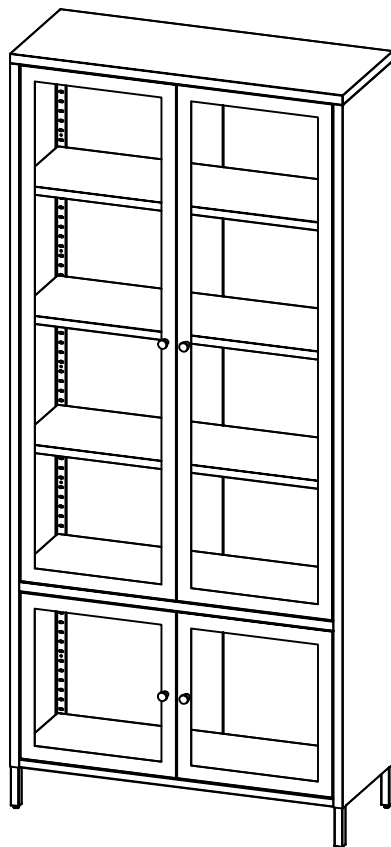
9



10

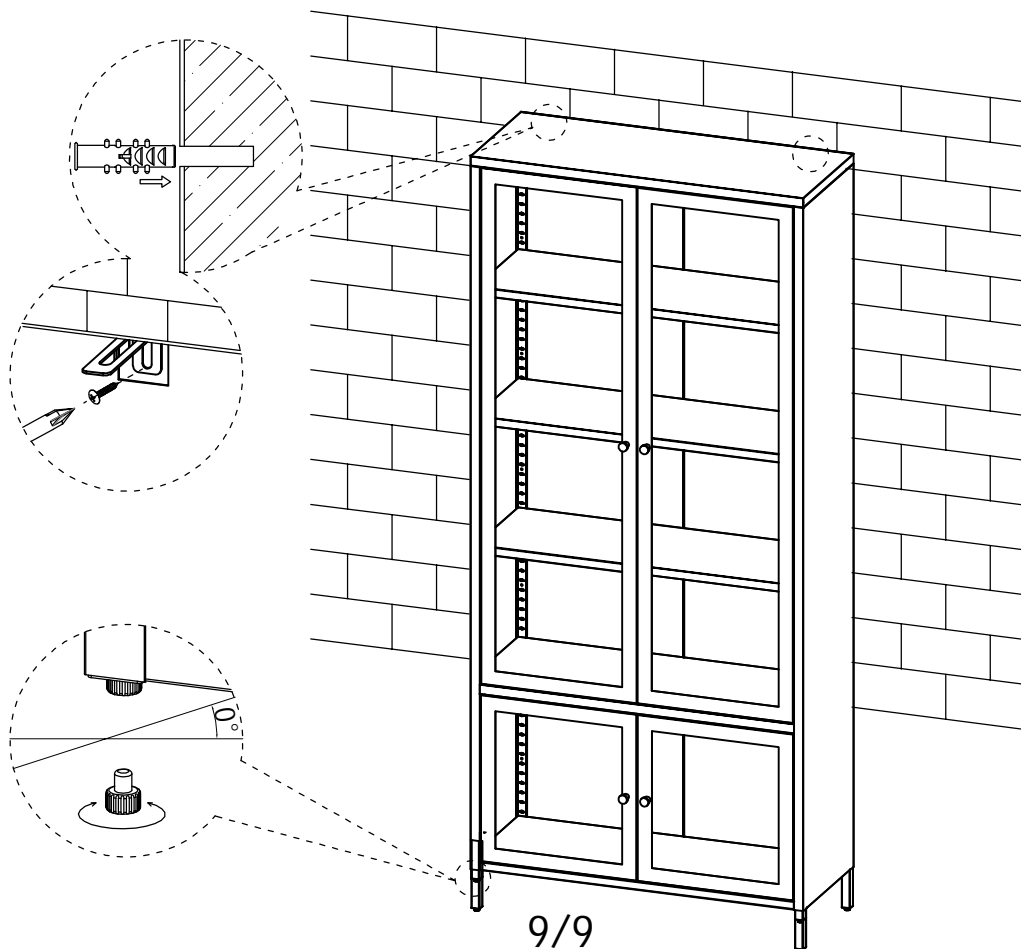


11



12

h×2



9/9