

MONROE 60" DOUBLE SINK BASE CABINET

ARIEL

BASE CABINET DIMENSIONS

60" W x 21.5" D x 34.5" H

FEATURES

- Solid wood frame and Plywood
- Soft-close system
- Dovetail construction
- Ample storage

HARDWARE FINISHES*



Brushed Nickel Matte Black

**Hardware comes preinstalled with the illustrated option. Other finishes are available on our online store if you prefer a different one.*

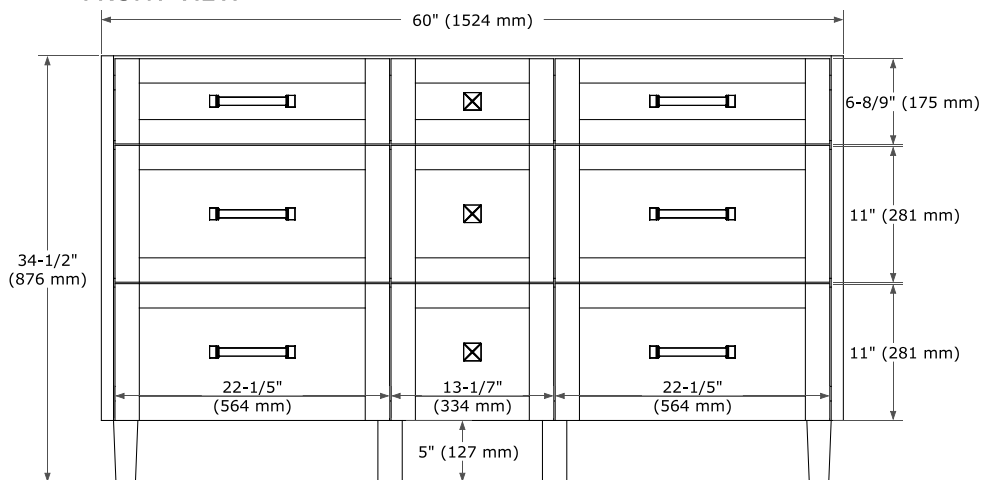
AVAILABLE COLORS



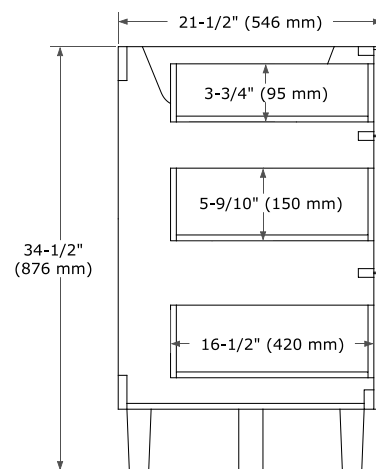
White Grey Midnight Blue Oak



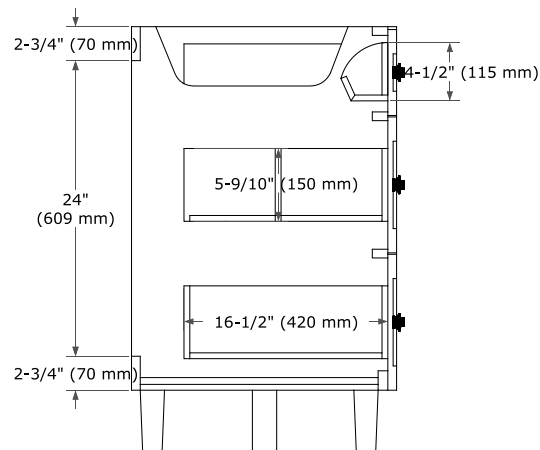
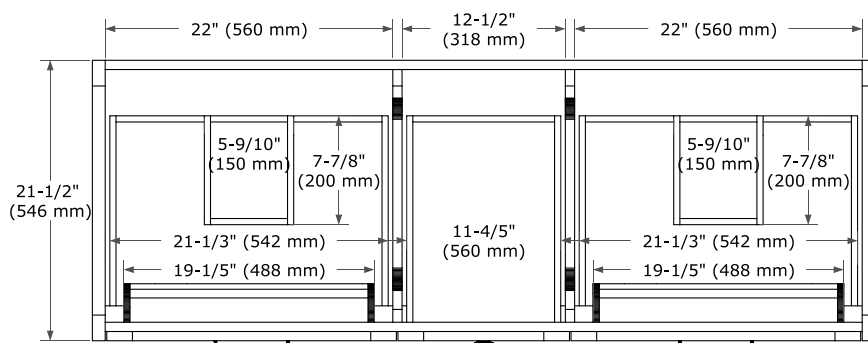
FRONT VIEW



SIDE VIEW



PLAN VIEW



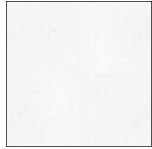
60" DOUBLE RECTANGLE SINK COUNTERTOP WITH 1.5 IN. THICKNESS

ARIEL

OVERALL DIMENSIONS

60.25" W x 22" D x 1.5" H

COUNTERTOP OPTIONS



Carrara White Quartz

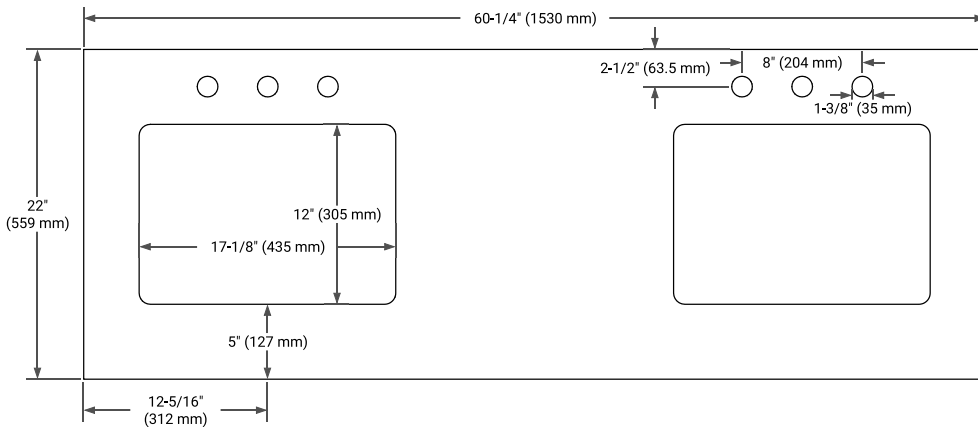
FEATURES

- Solid countertop with mitered edges & seams
- Undermount white rectangular sink
- Pre-drilled for 8" widespread faucet

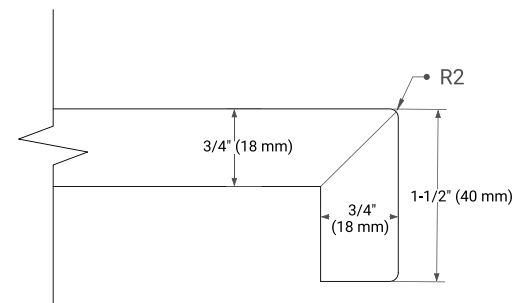
INCLUDED

- Countertop
- Matching Backsplash
- Rectangle Sinks

COUNTERTOP PLAN VIEW



EDGE SIDE VIEW



THREE DIMENSIONAL COUNTERTOP VIEW

