









ASSEMBLY INSTRUCTIONS

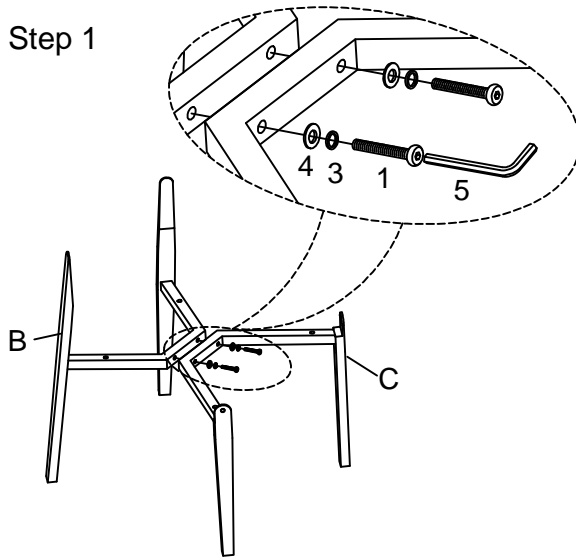
HARDWARE LIST

NO.	SKETCH	DESCRIPTION	QTY
1		Bolt(1/4"x2-1/8")	2 PCS
2		Bolt(1/4"x1-1/2")	4 PCS
3		Spring washer(1/4")	6 PCS
4		Washer(1/4")	6 PCS
5		Allen wrench(4mm)	1 PC

PARTS LIST

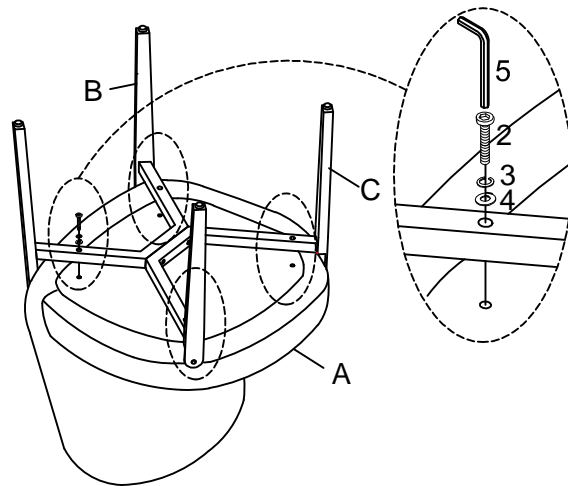
NO.	SKETCH	DESCRIPTION	QTY
A		Seat	1 PC
B		Back leg	1 PC
C		Front leg	1 PC

Step 1



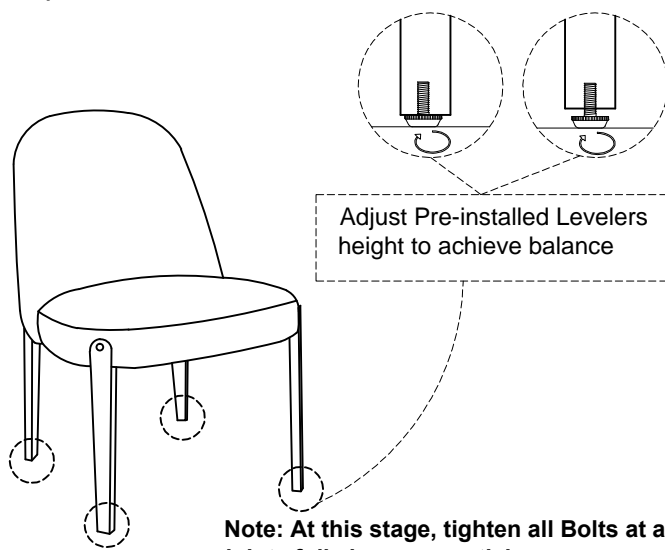
Note: Do not fully tighten the bolts at this step.

Step 2



Note: Do not fully tighten the bolts at this step.

Step 3



Note: At this stage, tighten all Bolts at all joints fully in a sequential manner.

Step 4

