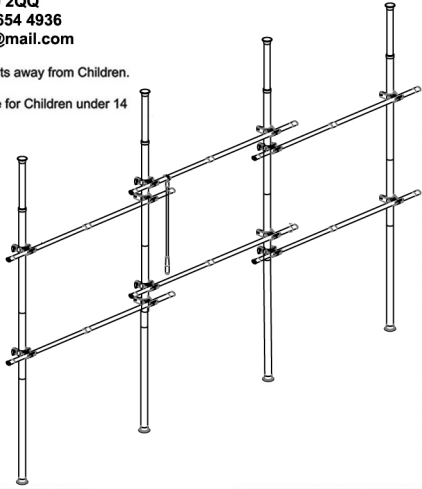


Returns Address  
 2C Birchmill Business Centre  
 Heywood Old Road  
 Heywood, Lancashire  
 England, OL10 2QQ  
 T: +44 (0) 161 654 4936  
 E: ricomexuk@mail.com

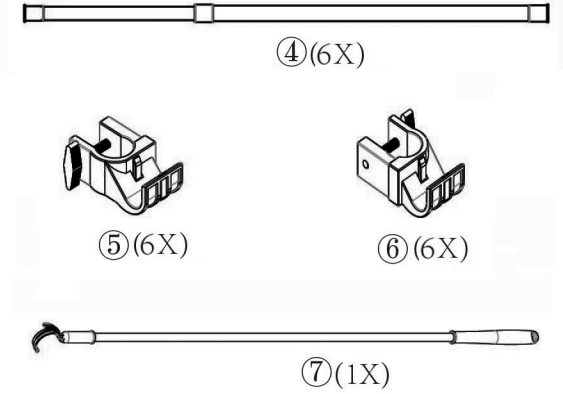
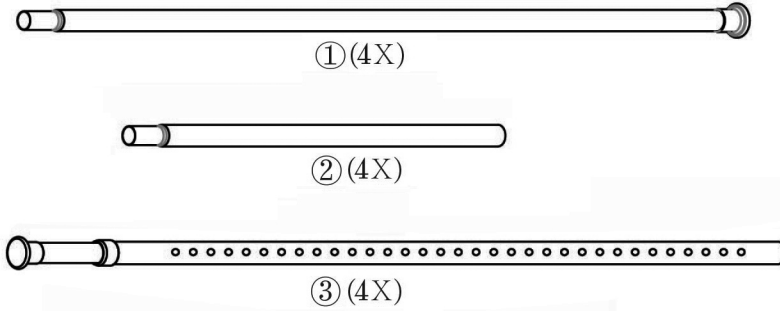
Please keep all parts away from Children.

Not suitable for use for Children under 14



# Spare Parts: standard adjustable height range

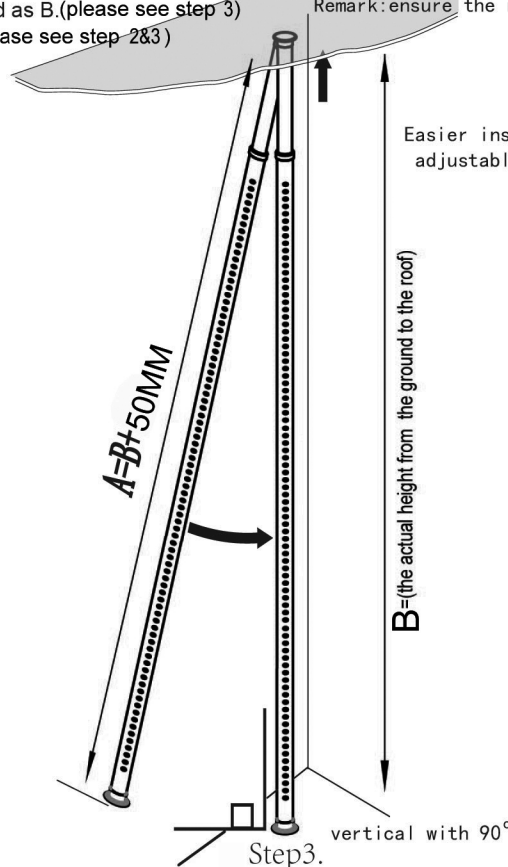
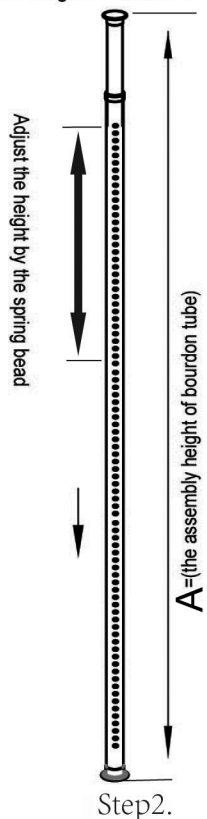
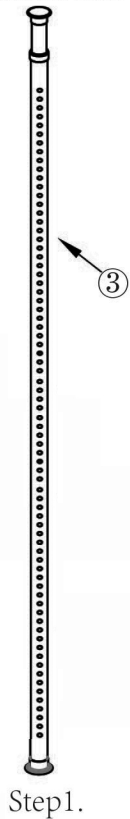
- ① HIGH ③ = 1100-1600MM
- ② HIGH ③ + ② = 1600-2100MM
- ③ HIGH ③ + ① = 2100-2600MM
- ④ HIGH ③ + ② + ① = 2600-3100MM



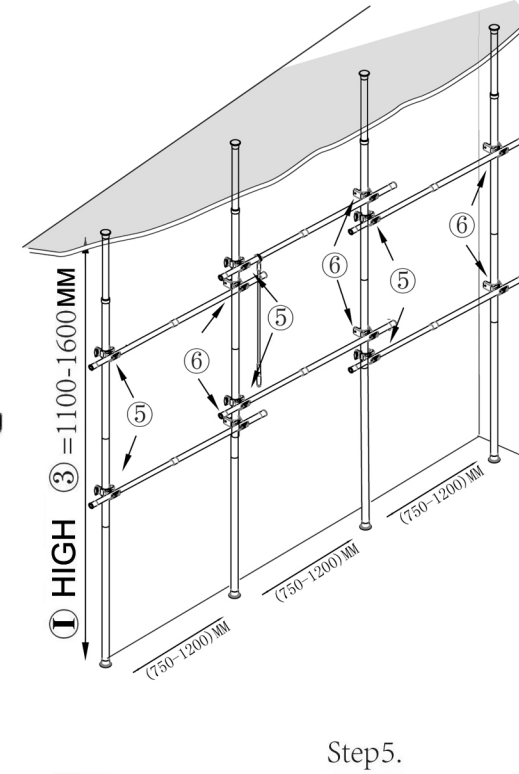
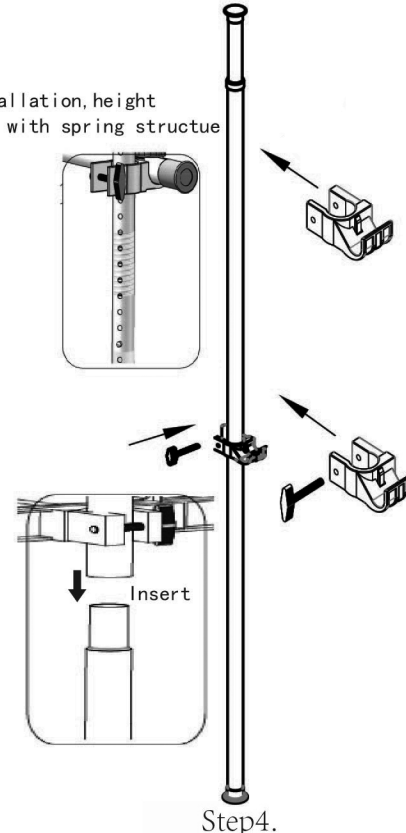
1. First: measure the actual height of the ground to the roof and marked as B. (please see step 3)
2. The assembly height of bourdon tube A = actual height B + 50MM (please see step 2&3)

Remark: ensure the roof is strong enough

① HIGH

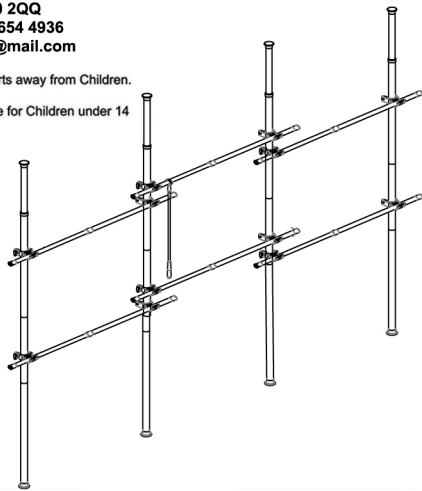


Easier installation, height adjustable with spring structure



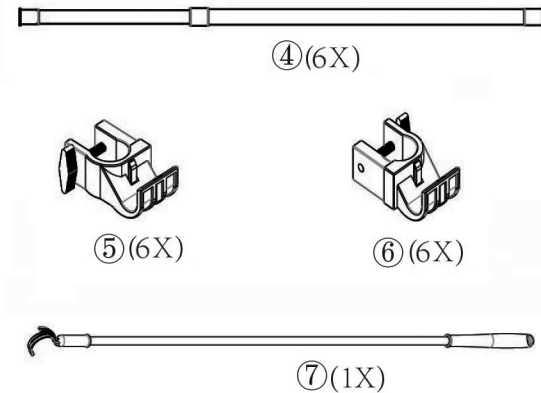
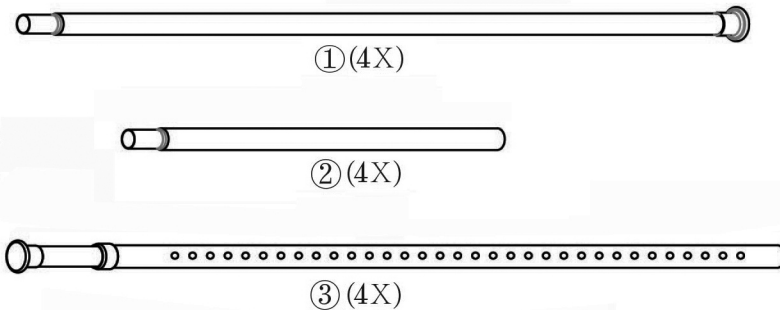
Returns Address  
 2C Birchmill Business Centre  
 Heywood Old Road  
 Heywood, Lancashire  
 England, OL10 2QQ  
 T: +44 (0) 161 654 4936  
 E: ricomexuk@mail.com

Please keep all parts away from Children.  
 Not suitable for use for Children under 14



# Spare Parts: standard adjustable height range

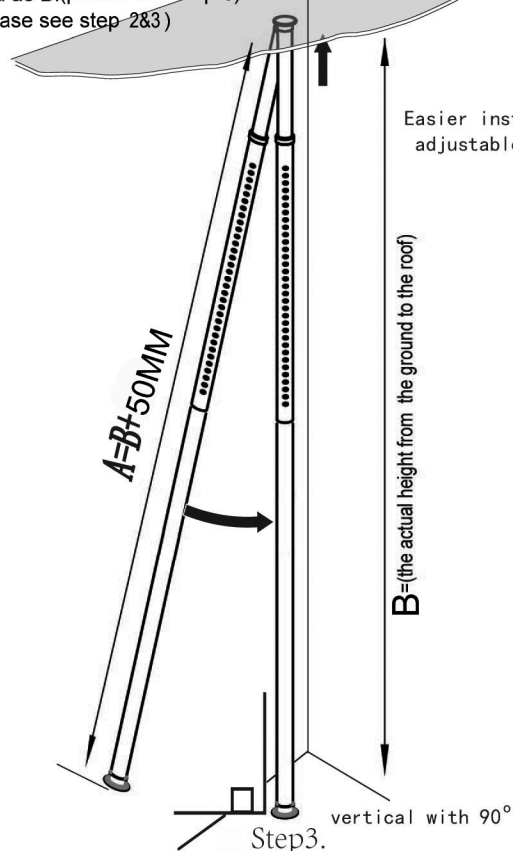
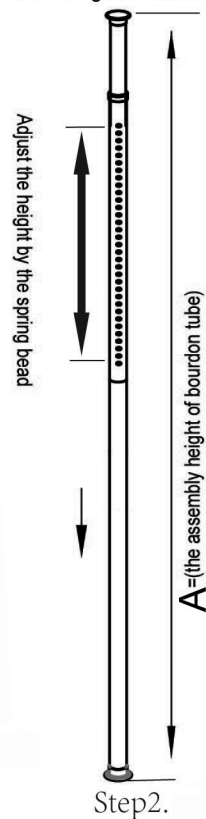
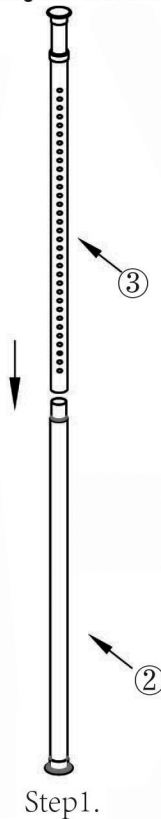
- ① HIGH ③ = 1100-1600MM
- ② HIGH ③ + ② = 1600-2100MM
- ③ HIGH ③ + ① = 2100-2600MM
- ④ HIGH ③ + ② + ① = 2600-3100MM



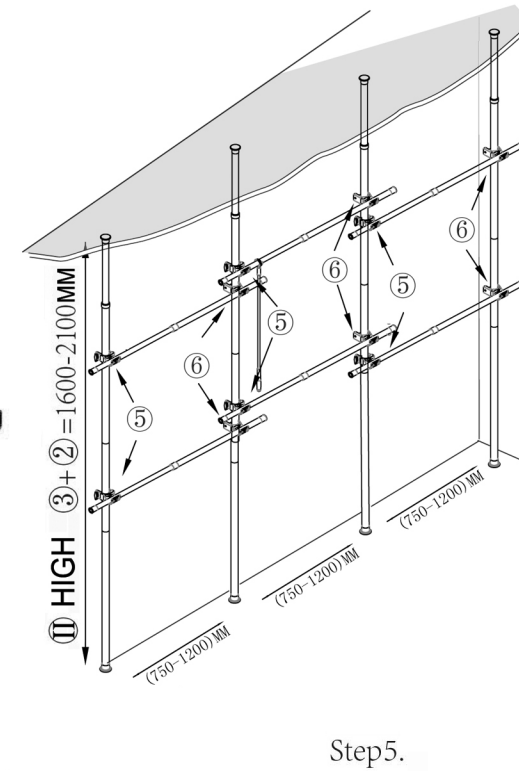
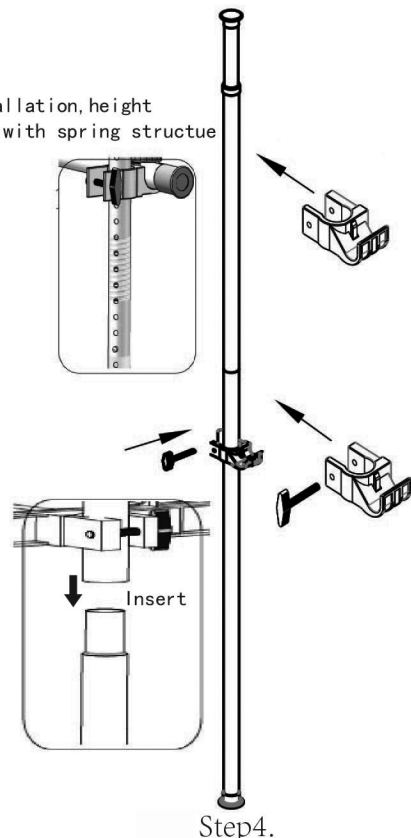
1. First: measure the actual height of the ground to the roof and marked as B. (please see step 3)
2. The assembly height of bourdon tube A = actual height B + 50MM (please see step 2&3)

Remark: ensure the roof is strong enough

① HIGH

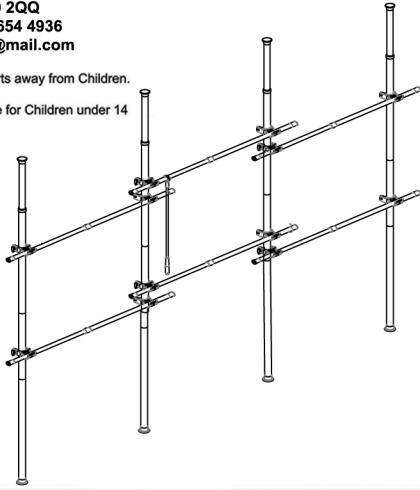


Easier installation, height adjustable with spring structure



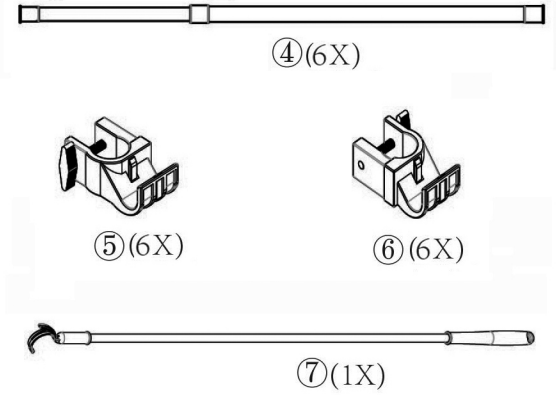
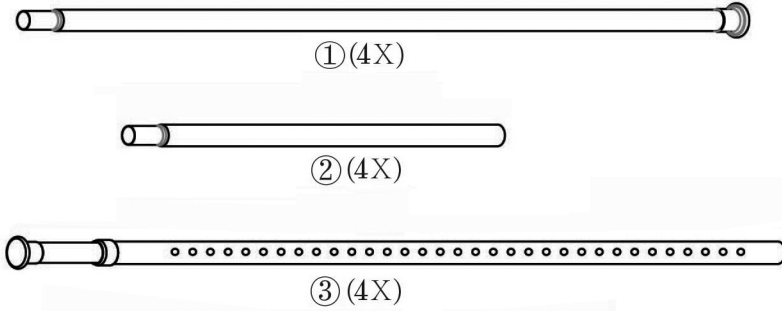
Returns Address  
 2C Birchmill Business Centre  
 Heywood Old Road  
 Heywood, Lancashire  
 England, OL10 2QQ  
 T: +44 (0) 161 654 4936  
 E: ricomexuk@mail.com

Please keep all parts away from Children.  
 Not suitable for use for Children under 14



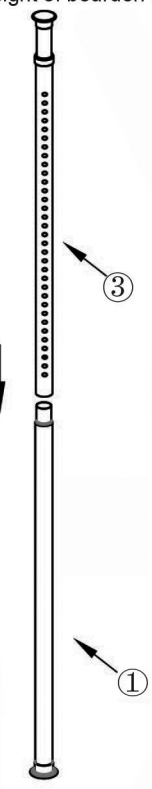
# Spare Parts: standard adjustable height range

- ① HIGH ③ = 1100-1600MM
- ② HIGH ③ + ② = 1600-2100MM
- ③ HIGH ③ + ① = 2100-2600MM
- ④ HIGH ③ + ② + ① = 2600-3100MM

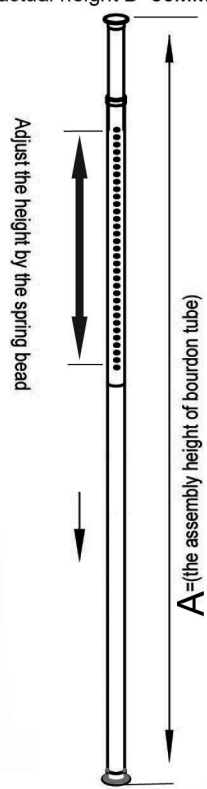


1. First: measure the actual height of the ground to the roof and marked as B. (please see step 3)
2. The assembly height of bourdon tube A = actual height B + 50MM (please see step 2&3)

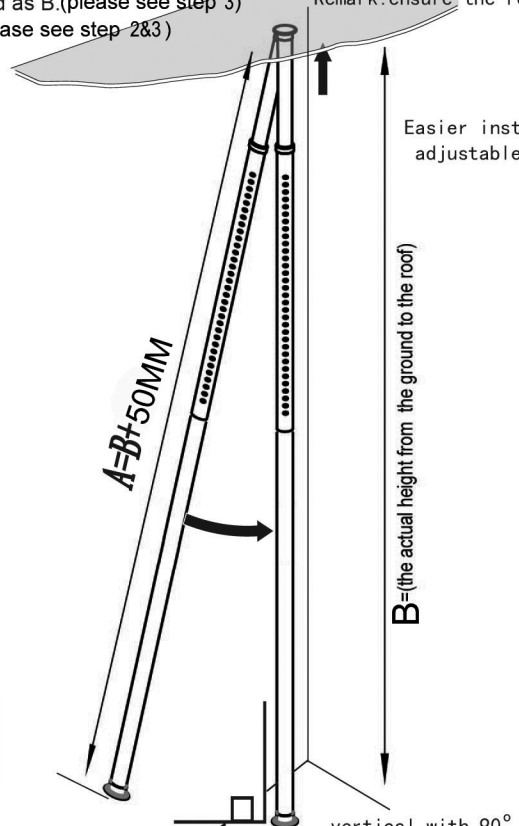
③ HIGH



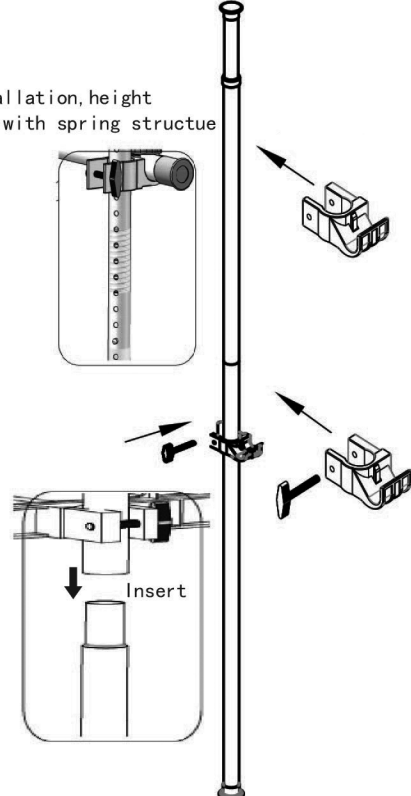
Step1.



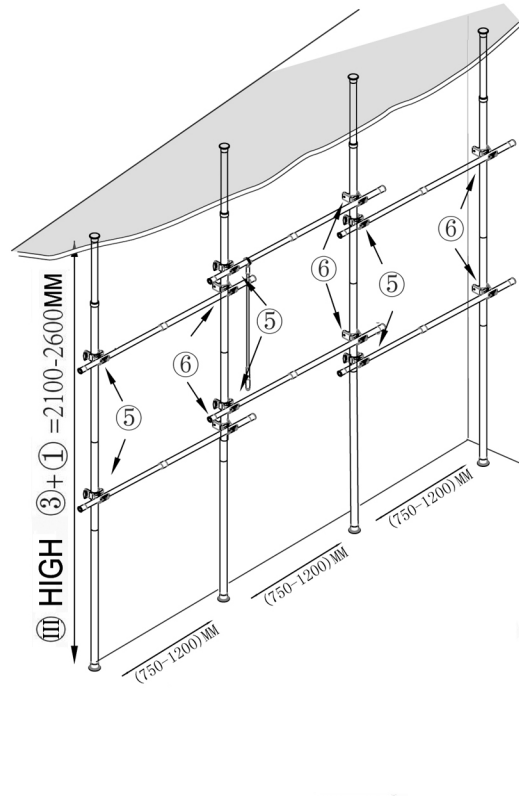
Step2.



Step3.



Step4.

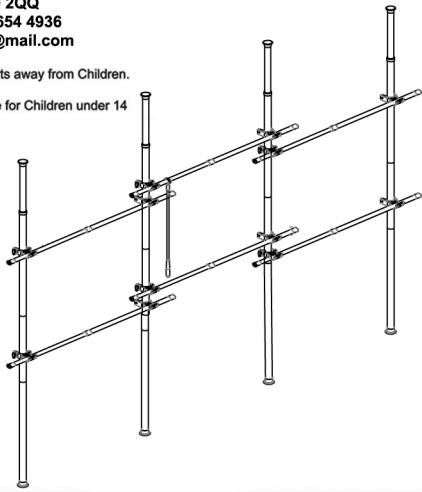


Step5.

Returns Address  
 2C Birchmill Business Centre  
 Heywood Old Road  
 Heywood, Lancashire  
 England, OL10 2QQ  
 T: +44 (0) 161 654 4936  
 E: ricomexuk@mail.com

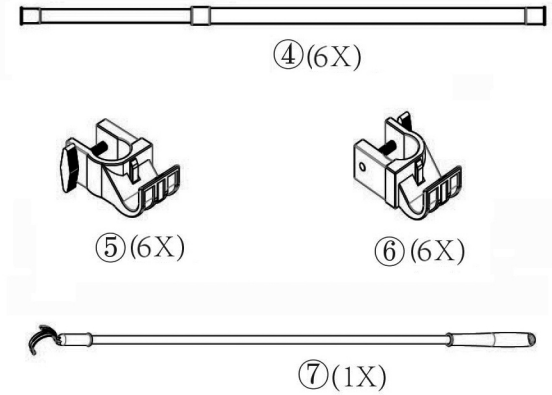
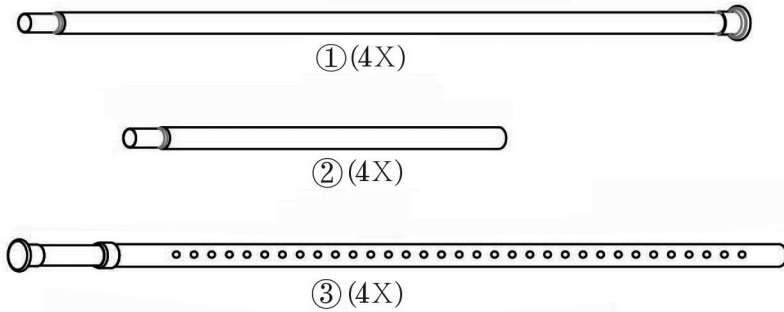
Please keep all parts away from Children.

Not suitable for use for Children under 14



# Spare Parts: standard adjustable height range

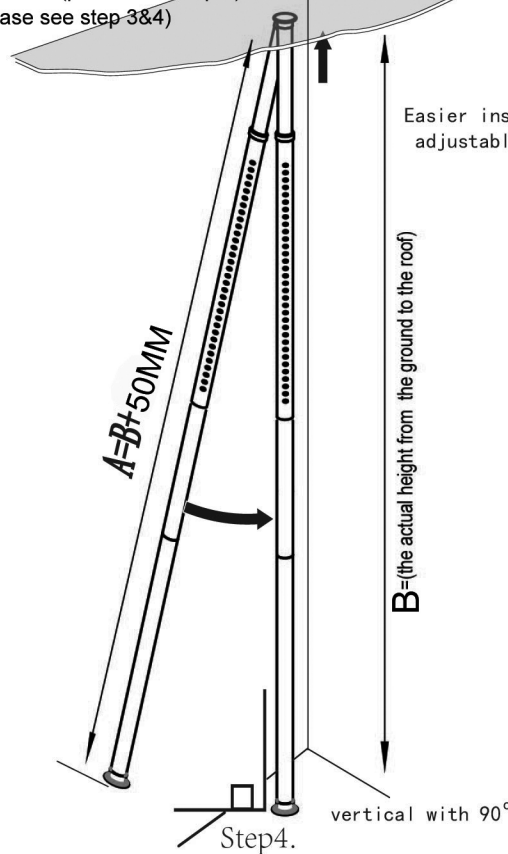
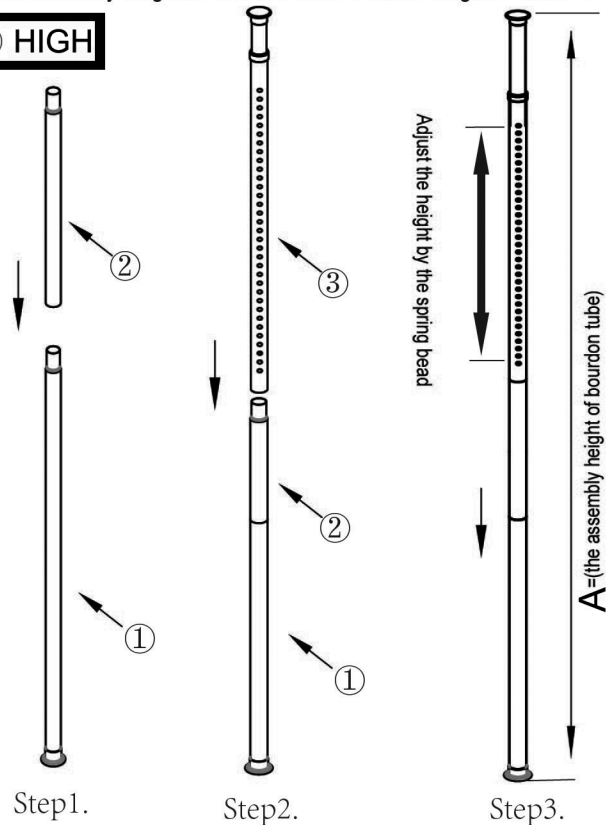
- ① HIGH ③ = 1100-1600MM
- ② HIGH ③ + ② = 1600-2100MM
- ③ HIGH ③ + ① = 2100-2600MM
- ④ HIGH ③ + ② + ① = 2600-3100MM



1. First: measure the actual height of the ground to the roof and marked as B. (please see step 4)
2. The assembly height of bourdon tube A = actual height B + 50MM (please see step 3 & 4)

Remark: ensure the roof is strong enough

## ④ HIGH



Easier installation, height adjustable with spring structure

