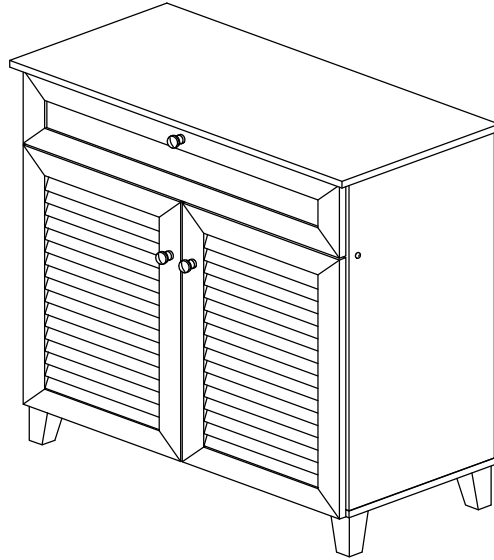
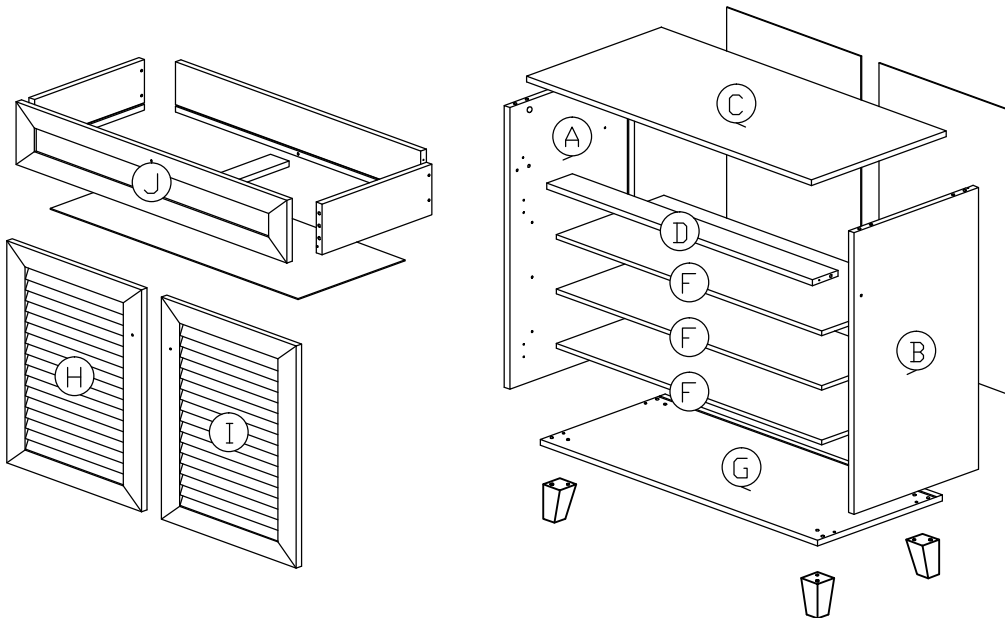


# Assembly Instruction



## Part List



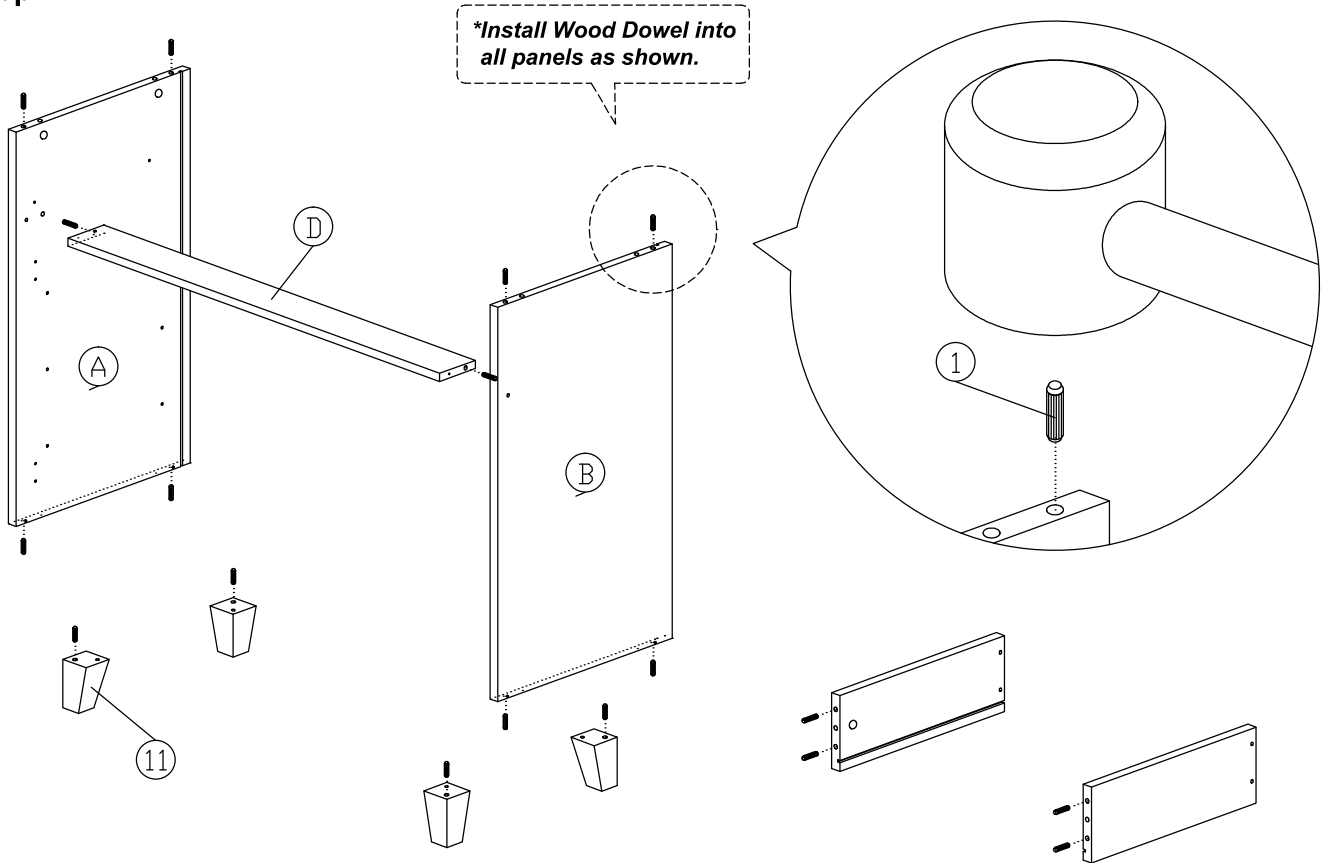
### Hardware List

No.	SHAPE	DESCRIPTION	Qty.
1		<b>8x25mm Wood Dowel</b>	18Pcs
2		<b>15MM Titus Mini Fix</b>	7Sets
3		<b>M5x8mm Screw (Euro Screw)</b>	4Pcs
4		<b>TP 10#x1/2" Screw</b>	16Pcs
5		<b>M3.5x15mm Screw</b>	4Pcs
6		<b>M3x16mm Screw</b>	4Pcs
7		<b>M4x38mm Screw</b>	11Pcs
8		<b>M7x40mm Screw</b>	4Pcs
9		<b>Shelf Support</b>	12Pcs

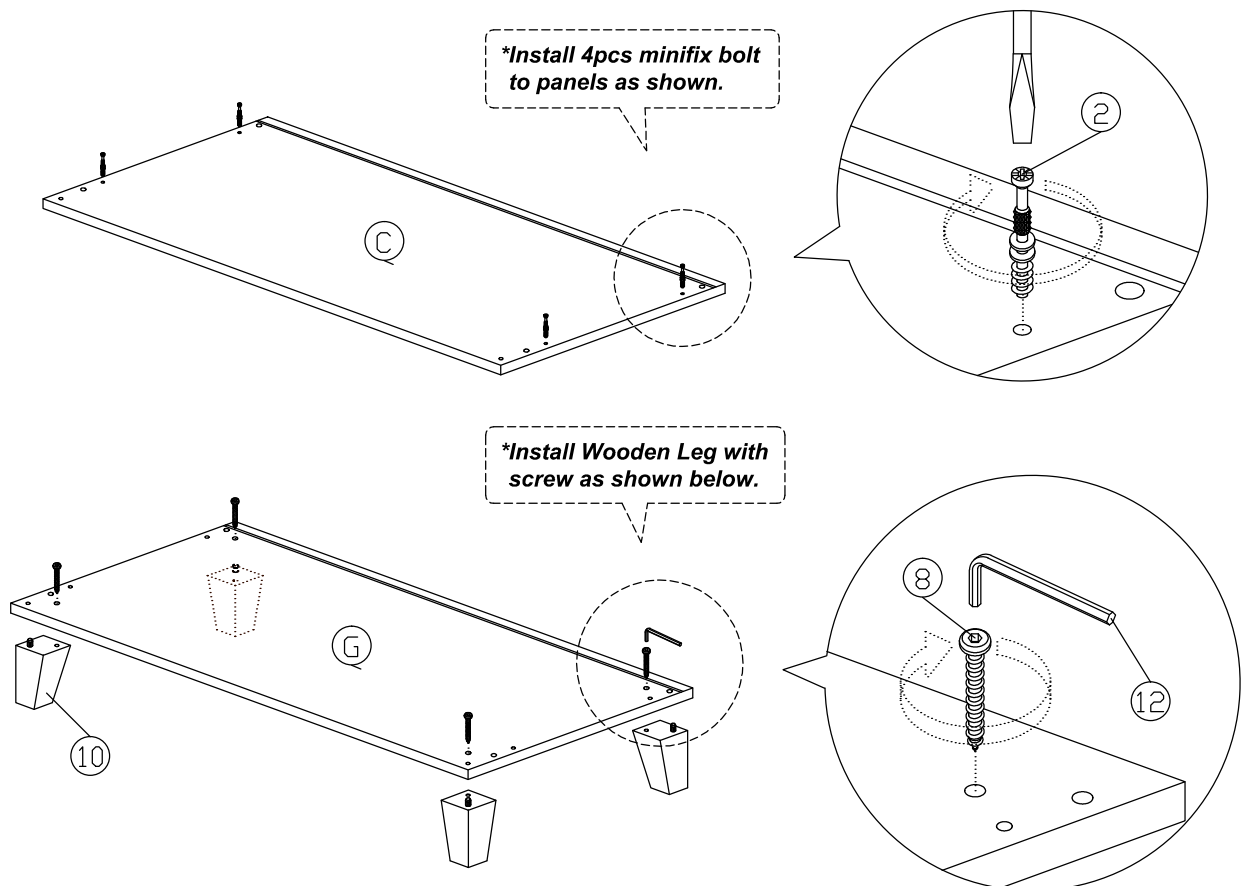
10		<b>Handle (9988) M4x25mm (Handle Screw)</b>	3Sets
11		<b>Wooden Leg</b>	4Pcs
12		<b>L Key</b>	1Pc
13		<b>Z Bracket</b>	2Pcs
14		<b>Hinges (F012)</b>	4Sets
15		<b>Drawer Slide = 300mm</b>	1Set
16		<b>15mm Minifix Cap</b>	2Pcs
17		<b>Screw Cap</b>	2Pcs

# Assembly Instruction

## Step 1

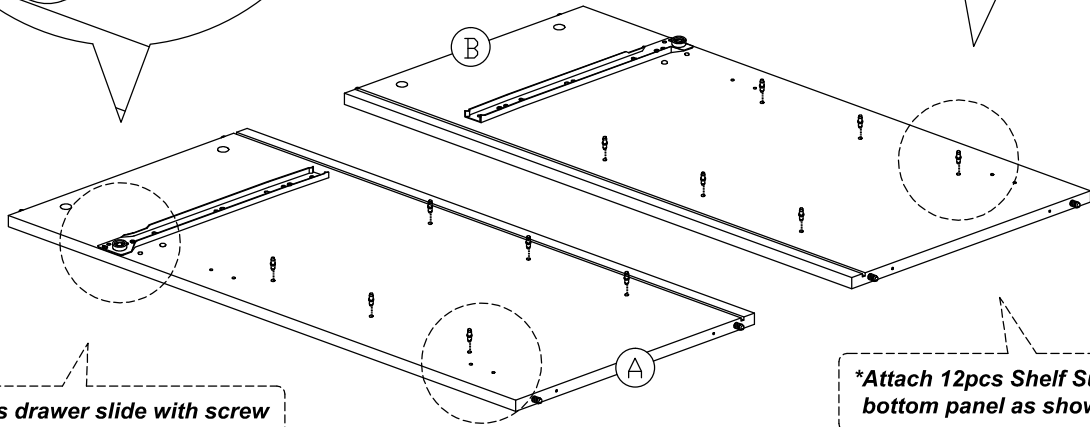
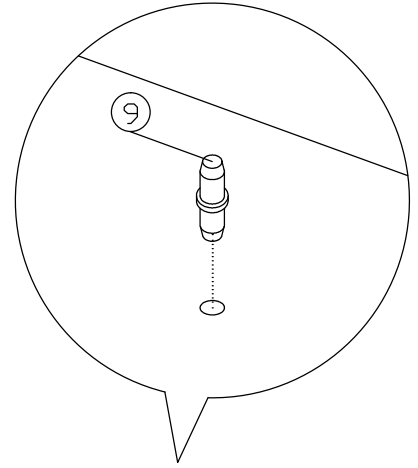
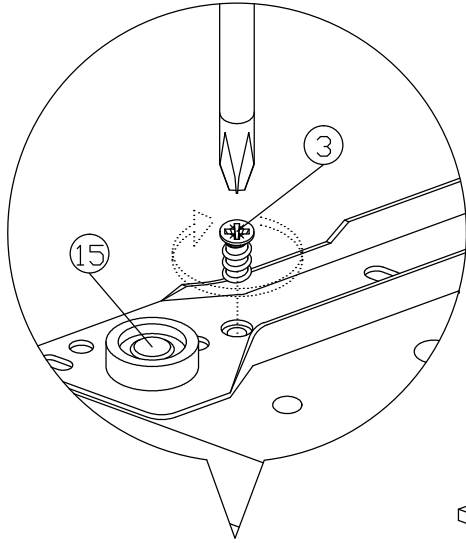


## Step 2



# Assembly Instruction

## Step 3

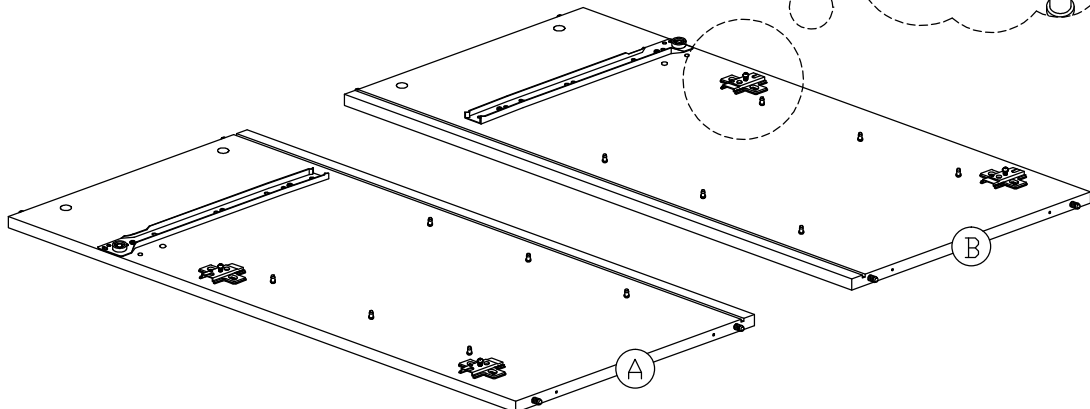
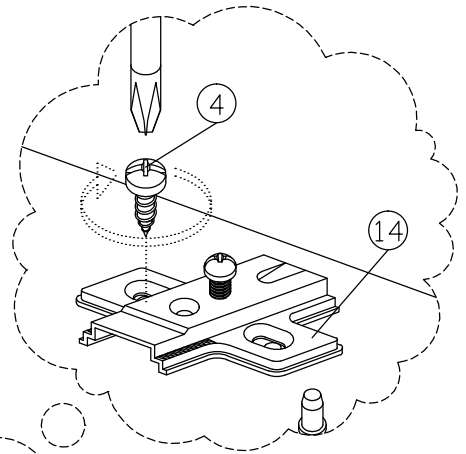


*\*Install 2pcs drawer slide with screw to both side panels as shown.*

*\*Attach 12pcs Shelf Support to bottom panel as shown below.*

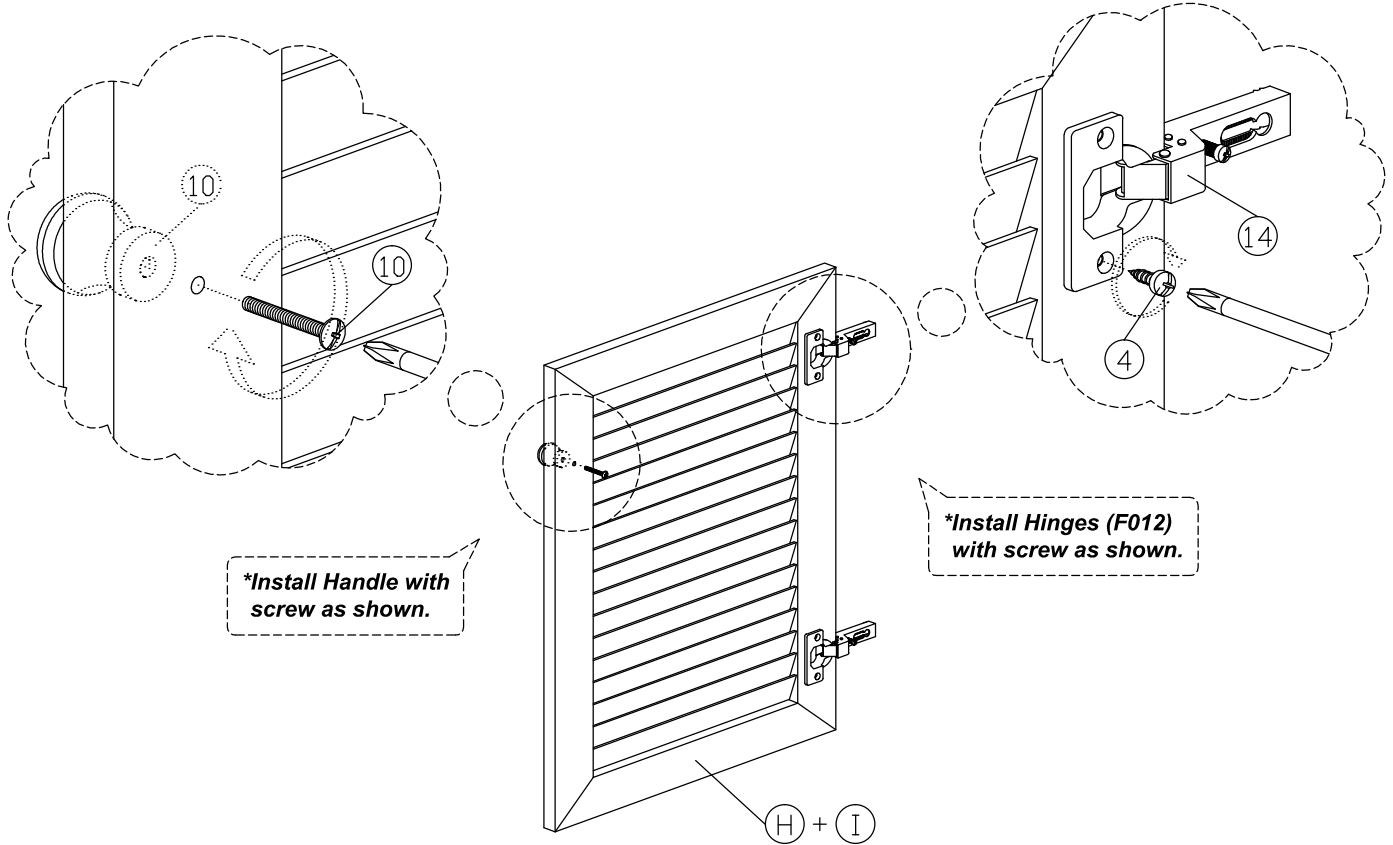
## Step 4

*\*Install 4pcs hinge to both side panels with screw as shown.*

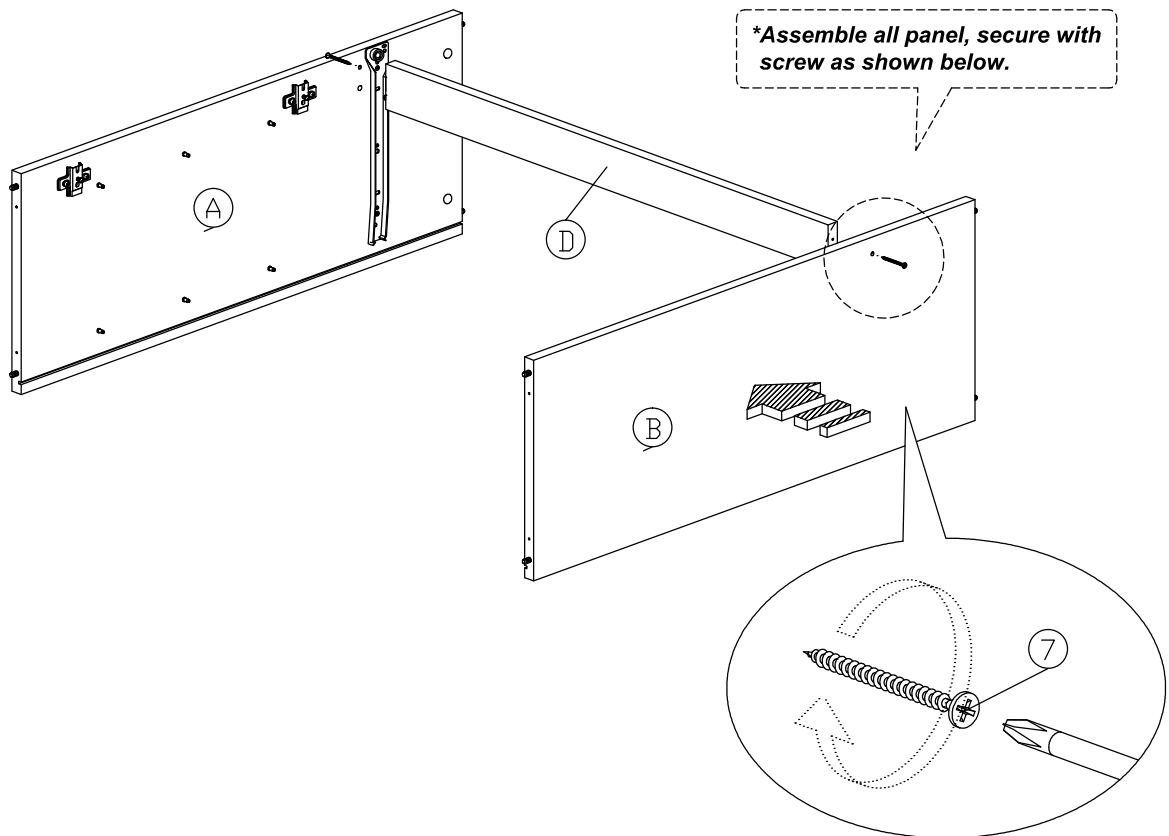


# Assembly Instruction

## Step 5

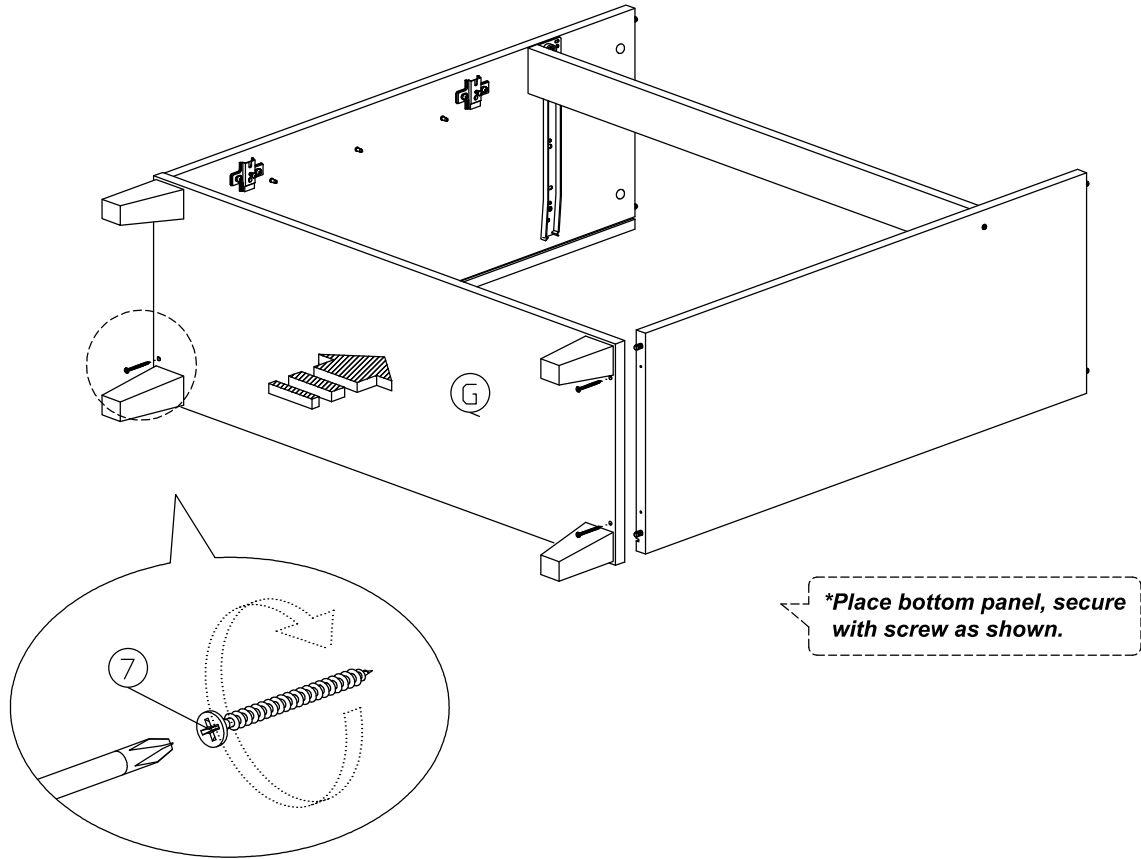


## Step 6

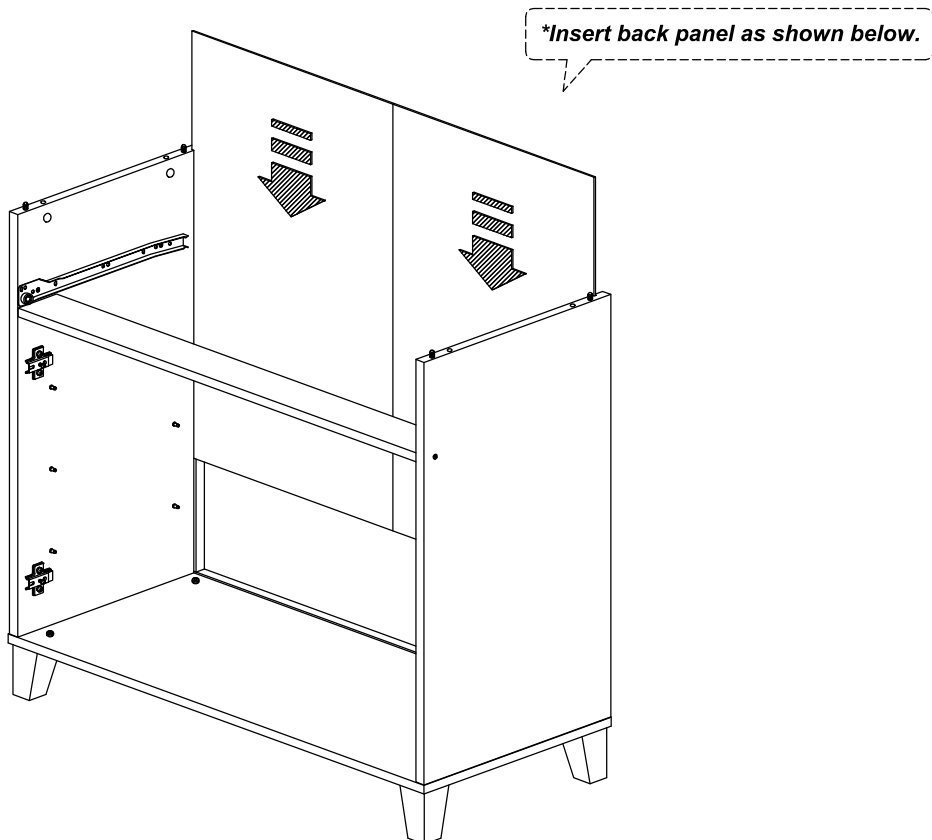


# Assembly Instruction

## Step 7

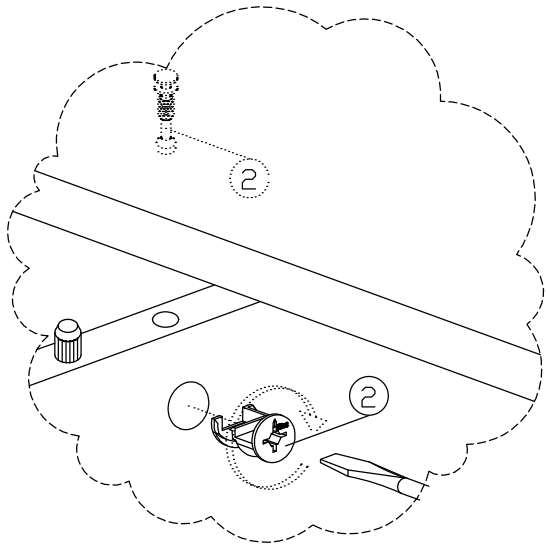


## Step 8

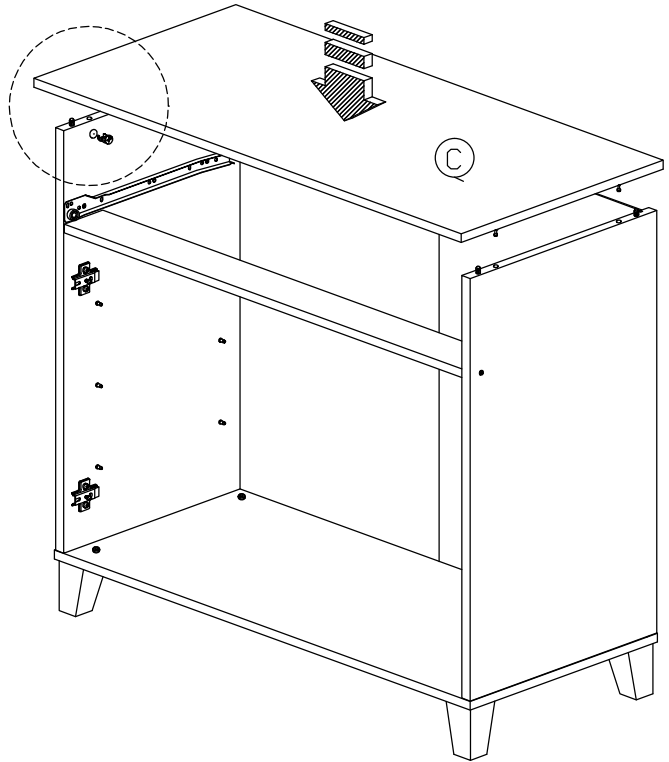


# Assembly Instruction

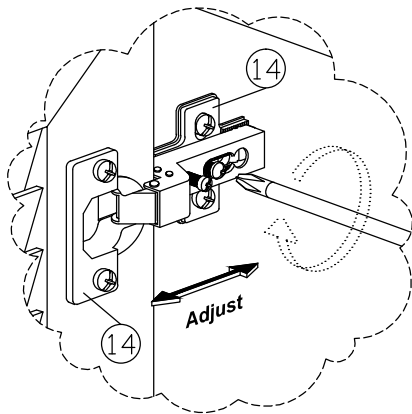
## Step 9



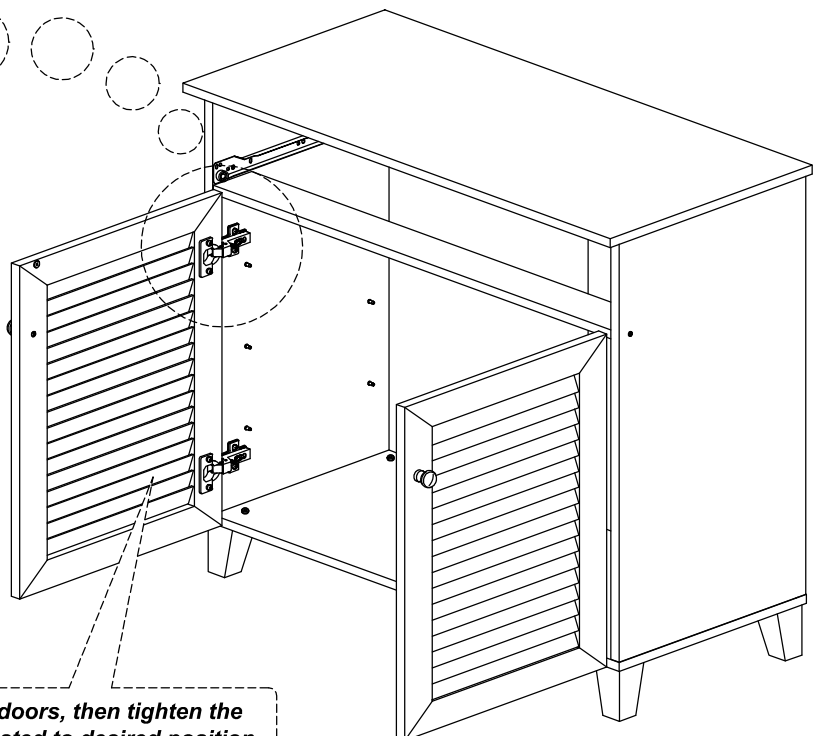
*\*Place top panel, secure with minifix as shown.*



## Step 10

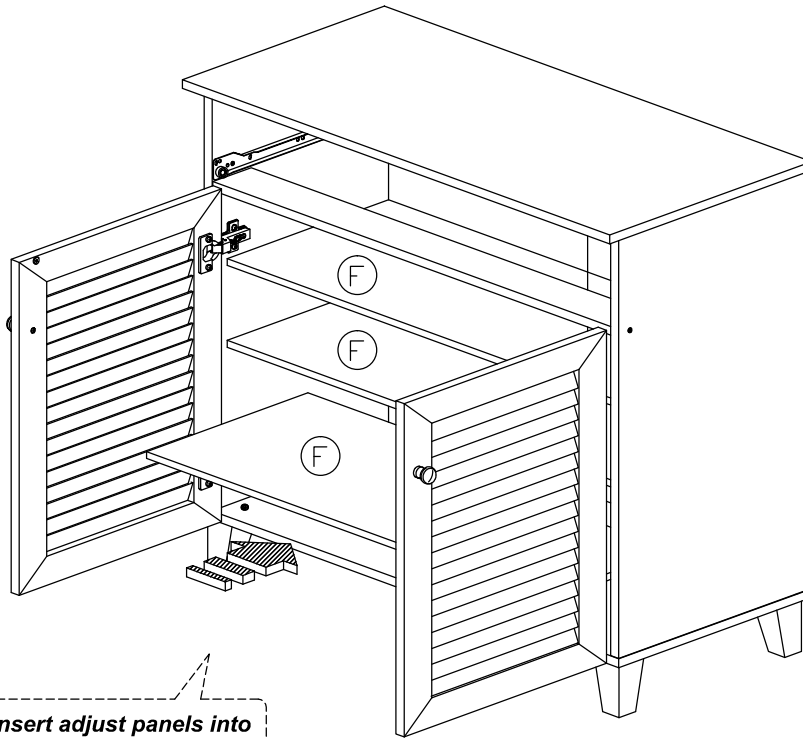


*\*Assemble both doors, then tighten the Hinge after adjusted to desired position.*



# Assembly Instruction

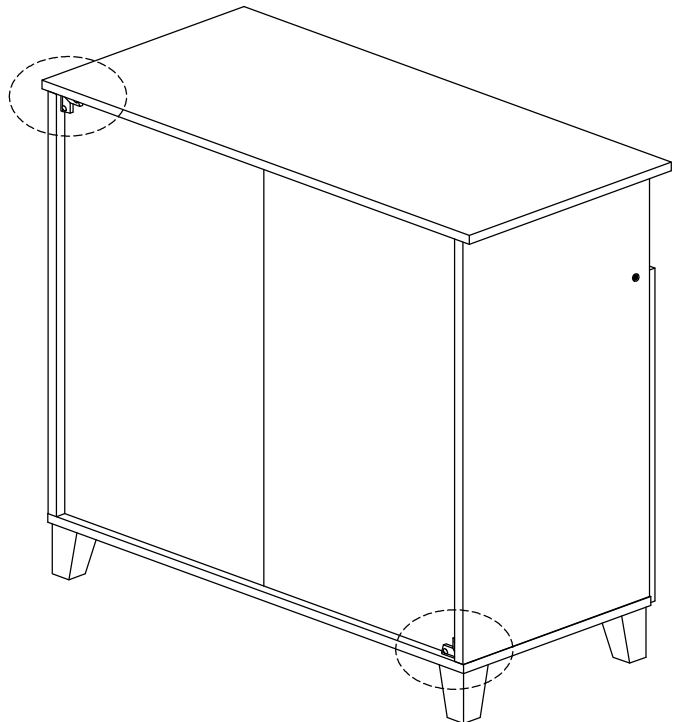
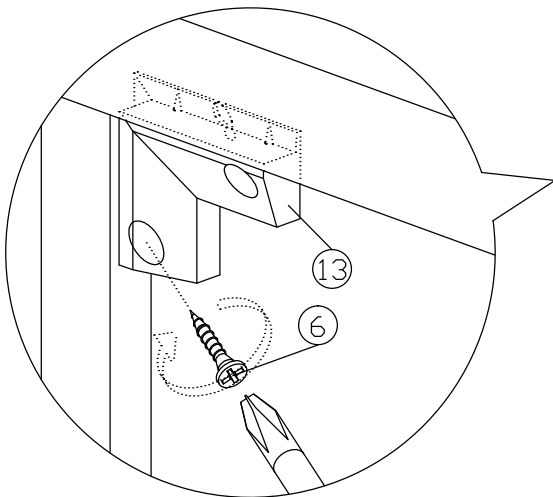
## Step 11



*\*Insert adjust panels into cabinet as shown.*

## Step 12

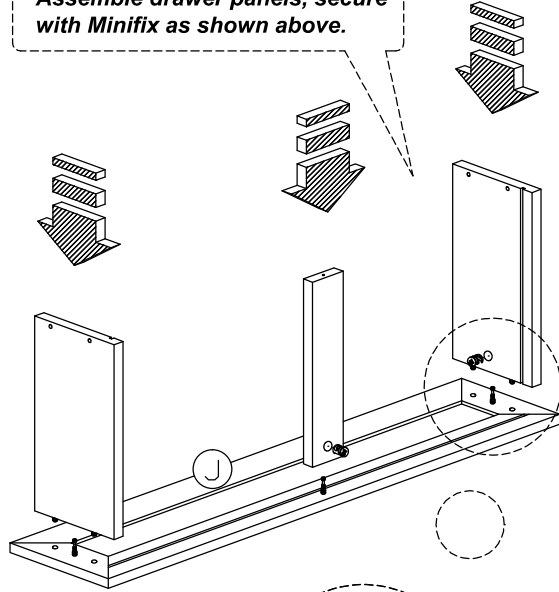
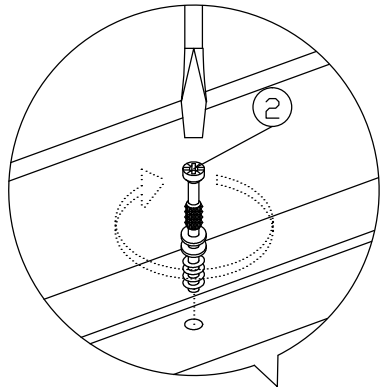
*\*Install Z Bracket with screw as shown.*



# Assembly Instruction

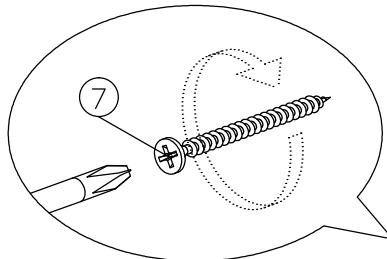
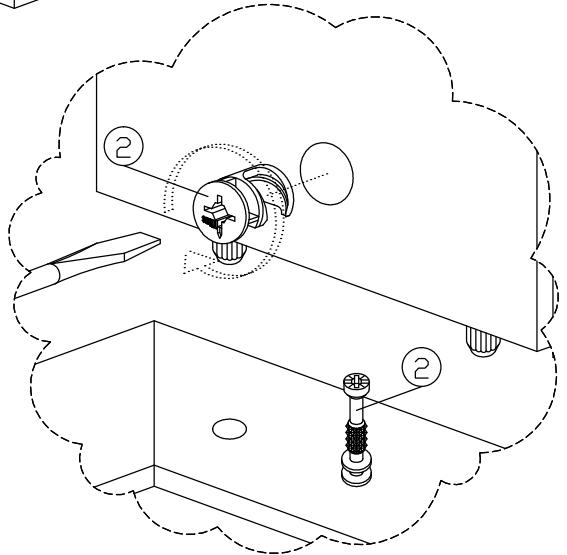
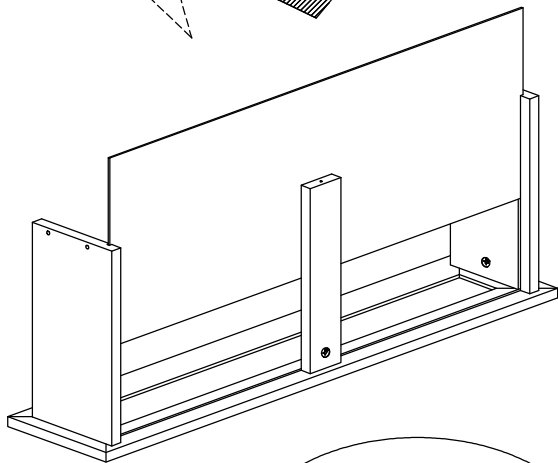
## Step 13

*\*Assemble drawer panels, secure with Minifix as shown above.*

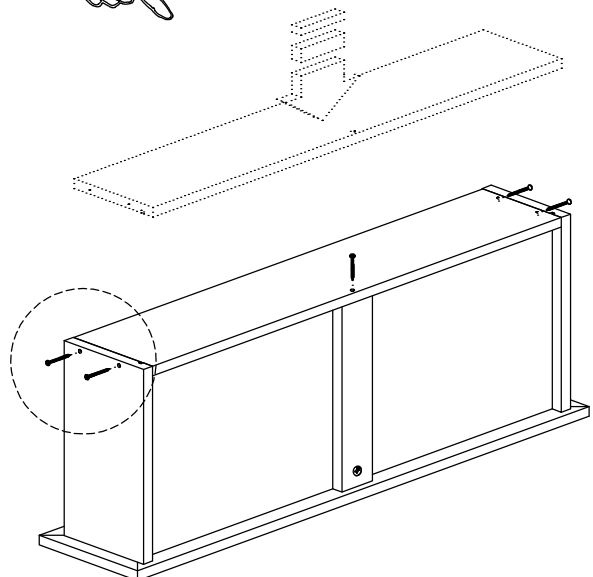


*\*Install 3pcs minifix bolt to panels as shown.*

*\*Insert drawer bottom as shown below.*

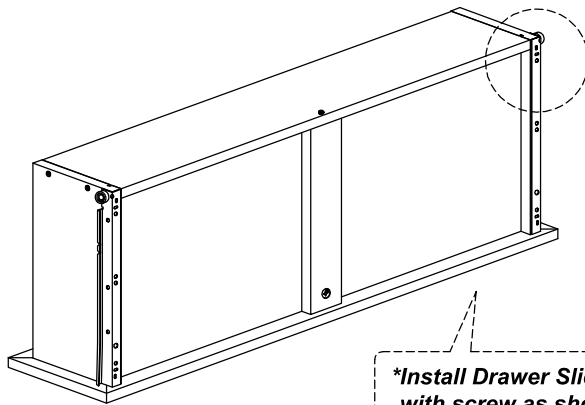


*\*Insert drawer back, secure with screw as shown.*

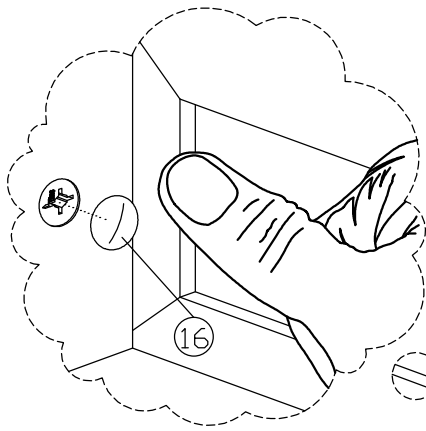
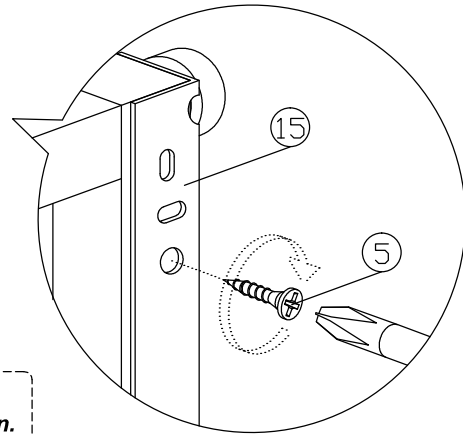


# Assembly Instruction

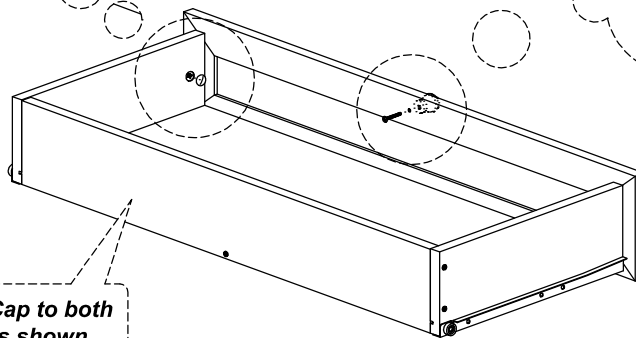
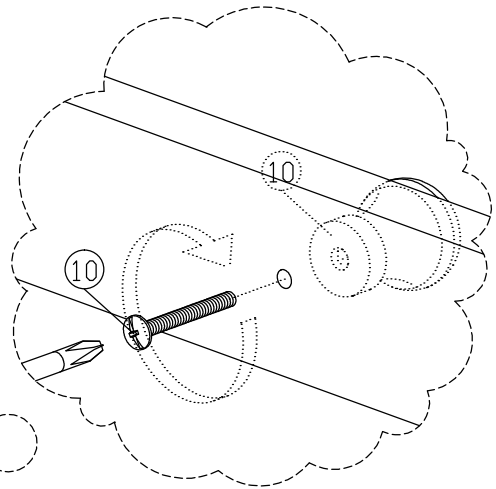
## Step 14



*\*Install Drawer Slide with screw as shown.*

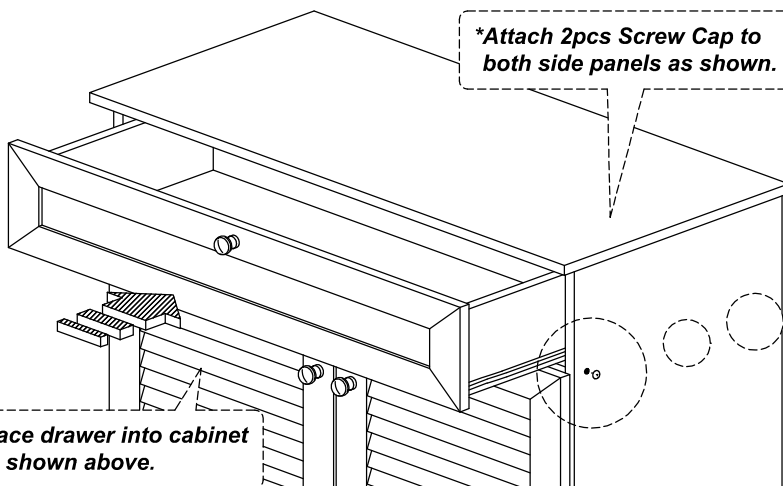


*\*Install Handle with screw as shown.*



*\*Attach 2pcs Minifix Cap to both drawer side panels as shown.*

## Step 15



*\*Attach 2pcs Screw Cap to both side panels as shown.*

*\*Place drawer into cabinet as shown above.*

