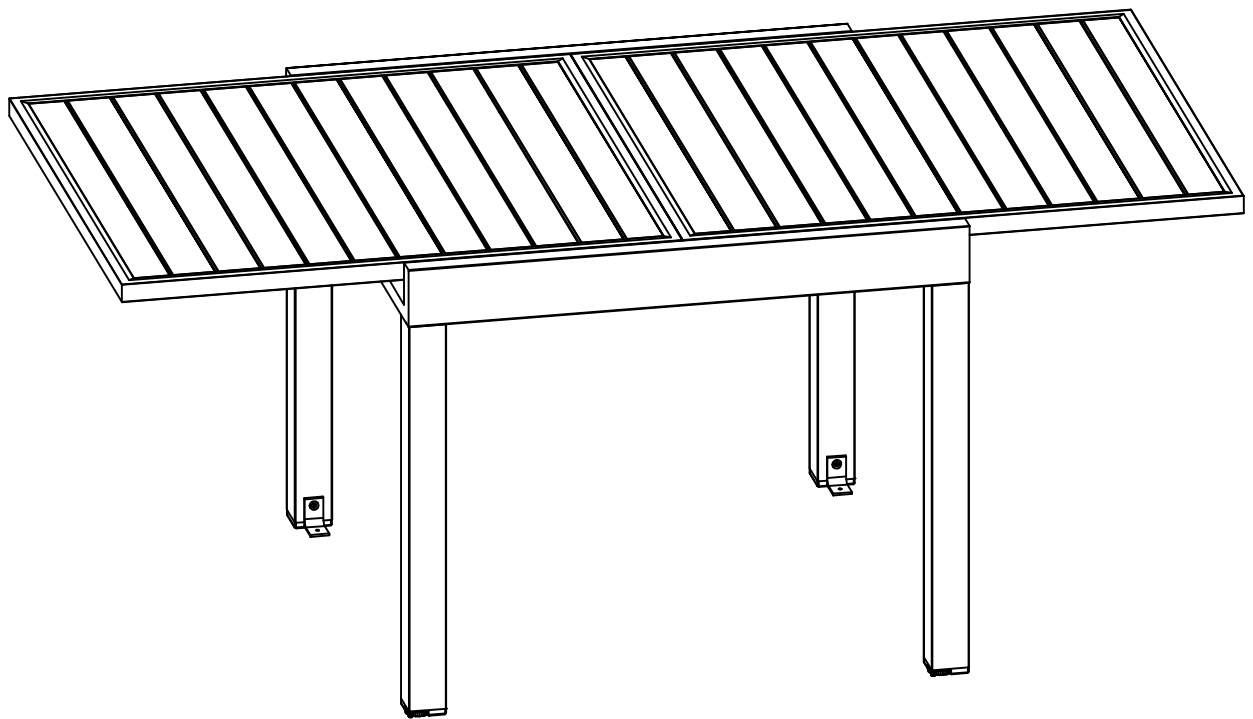
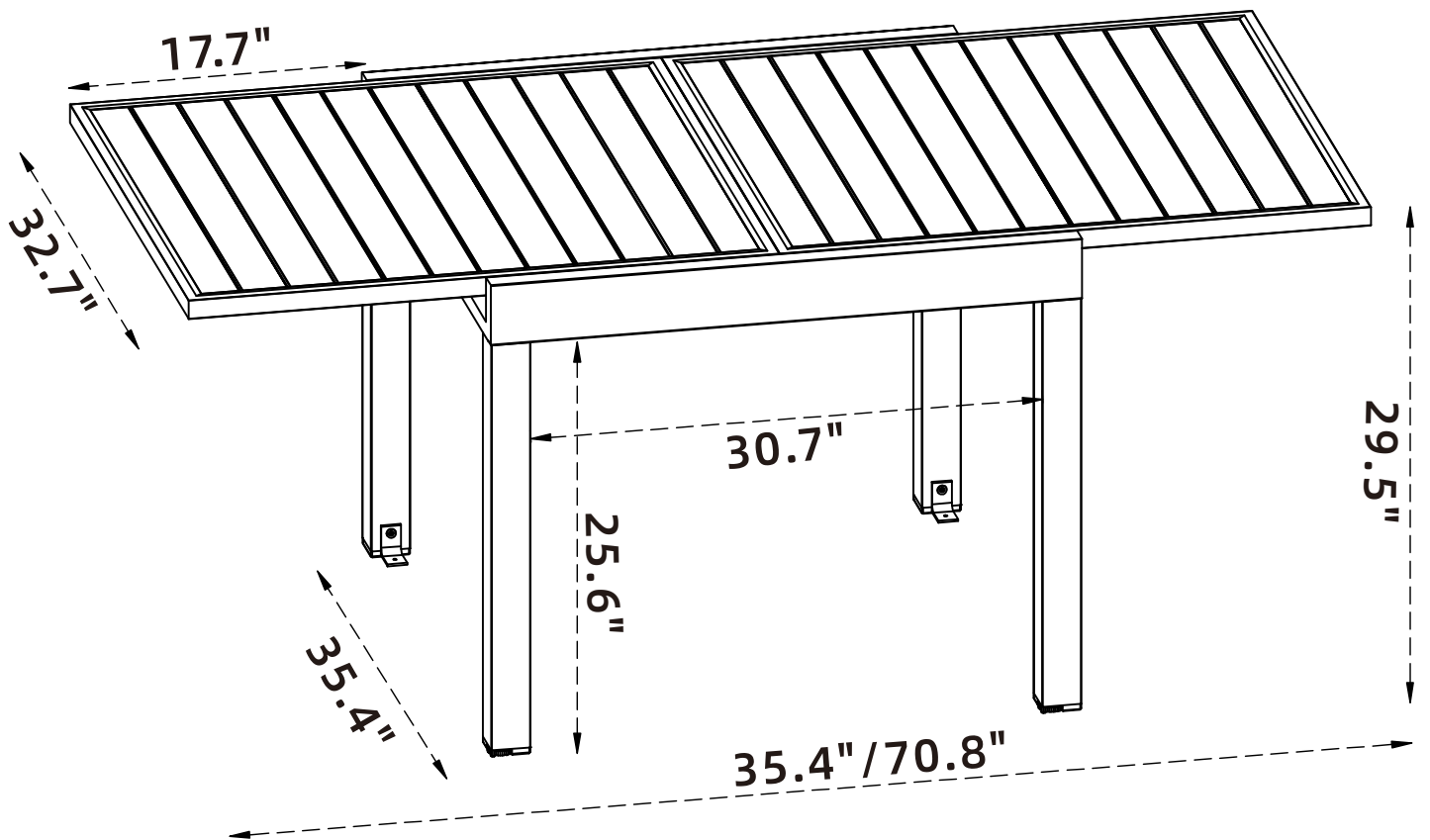
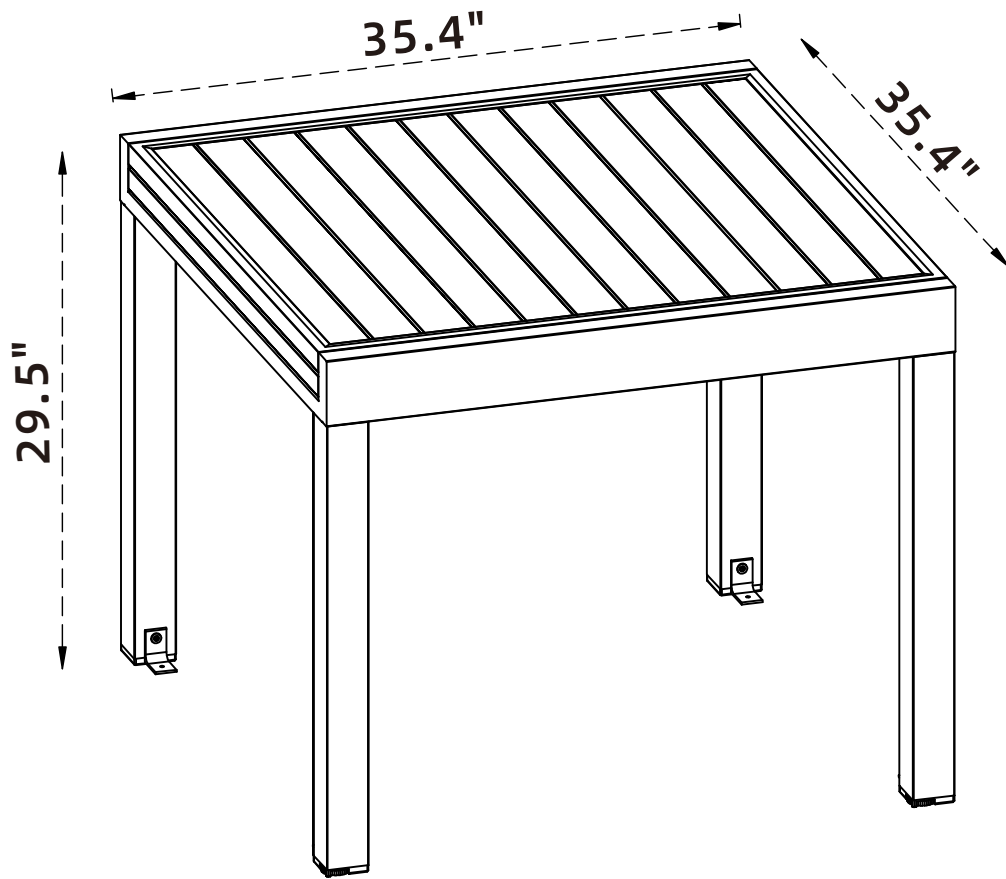
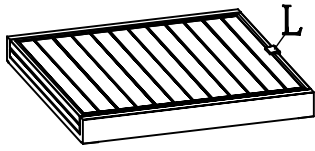


# Extendable Aluminum Square Dining Table

## ASSEMBLY MANUAL







A 1PC  
Table



B 4PCS  
Leg



C 4PCS  
Fixing pole



D 8PCS  
Flat washer



E 8PCS  
Split lock washer



F 8PCS  
Nut



G 4PCS  
Foot pad



H 4PCS  
Fixed pad



M6\*16  
I 4PCS  
Screw

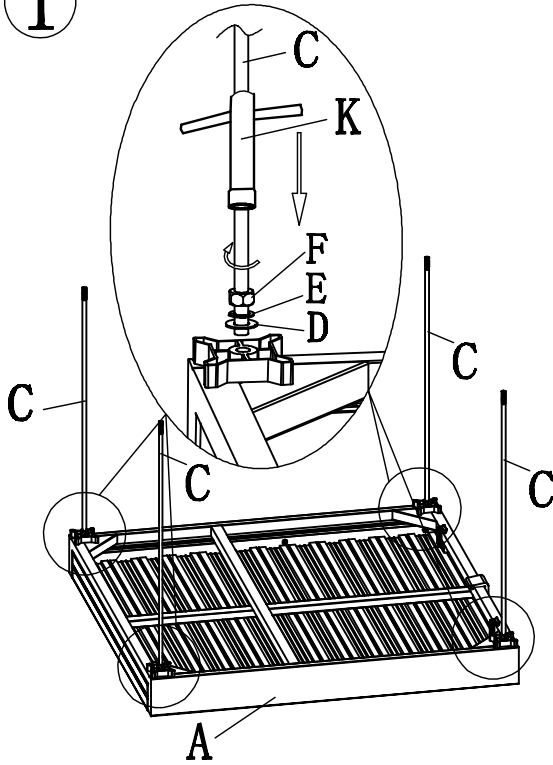


J 1PC  
Hex key



K 1PC  
Socket wrench

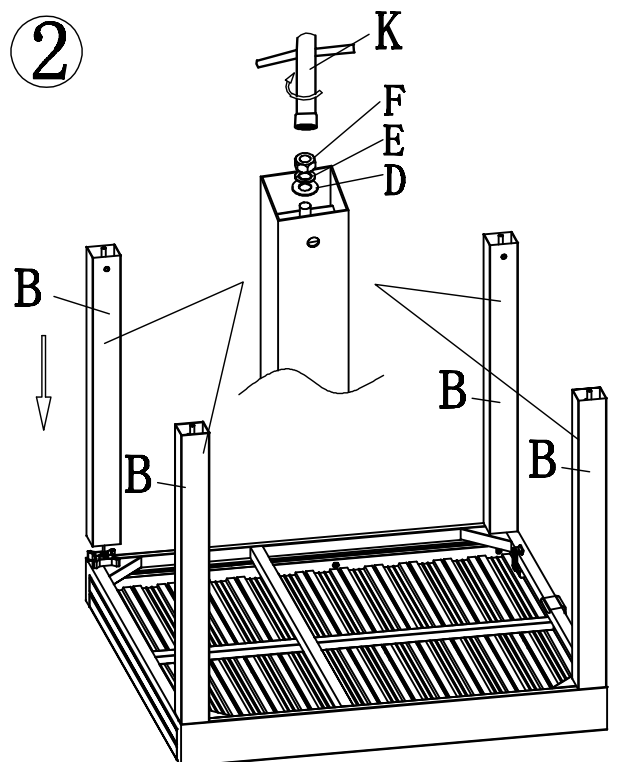
①



**Step 1:**

Firstly, attach the #F, #E and #D as the picture shows, then insert the #C into A, and tighten the #F by #K to fix the #C.

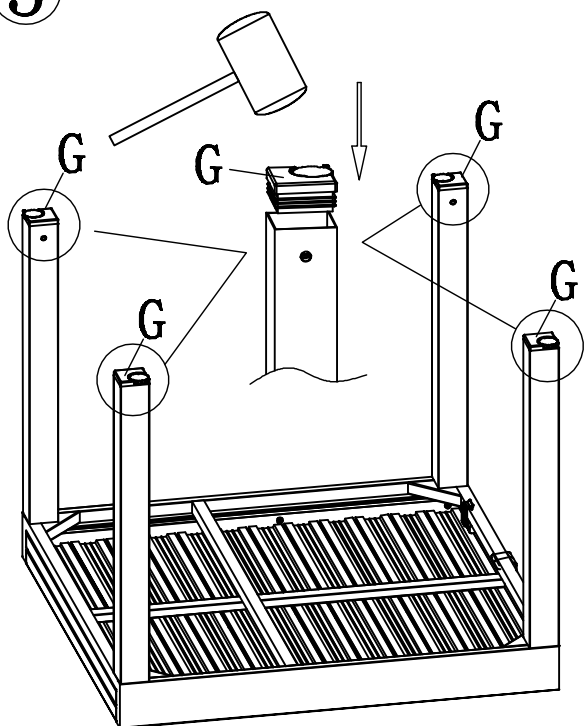
②



**Step 2:**

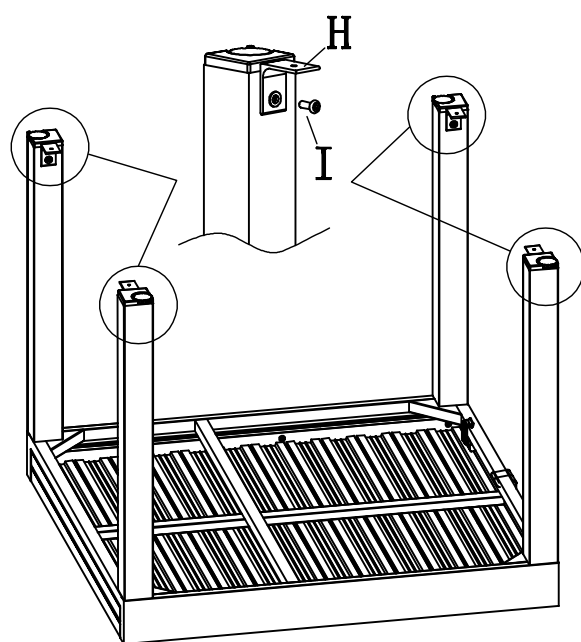
As shown on the right, cover the #C with #B, then attach #D, #E and #F, and tighten #F with #K to completely fix the legs.

3



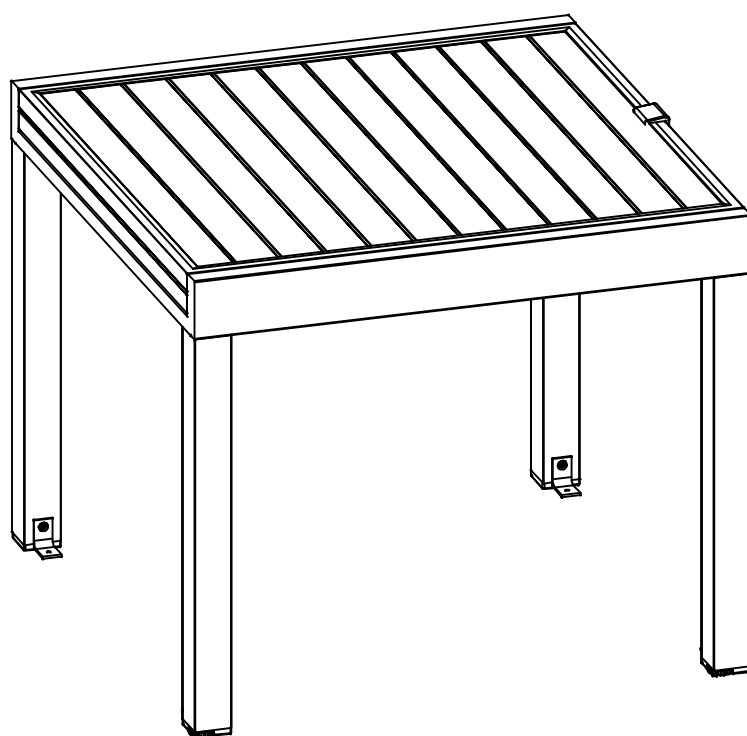
**Step 3:**  
Hammer #G into #B to complete the leg assembly.  
(Hammer is not included)

4



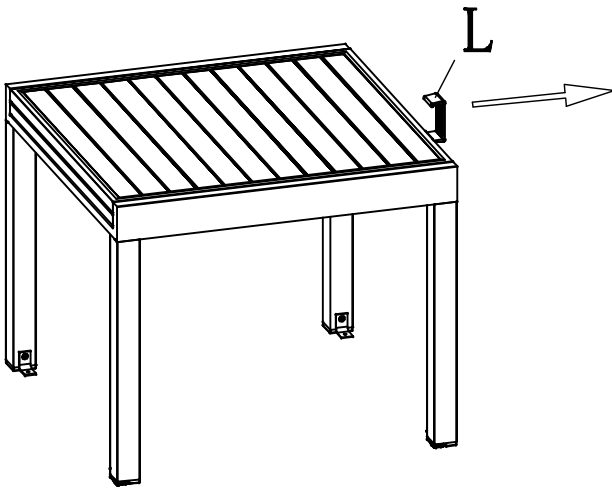
**Step 4:**  
Fixing the #H onto #B with the screws (#I) included.

5



# How to use the Extendable Table?

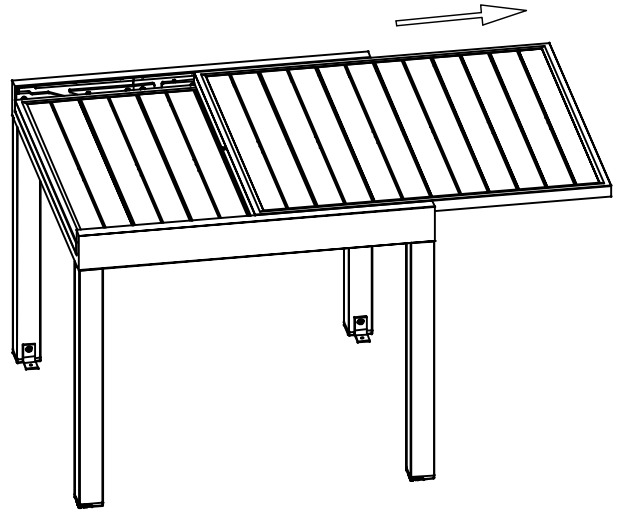
6



**Step 1:**

#L is used to prevent table from waggling and being damaged during transit, please DO remove it when open the table.

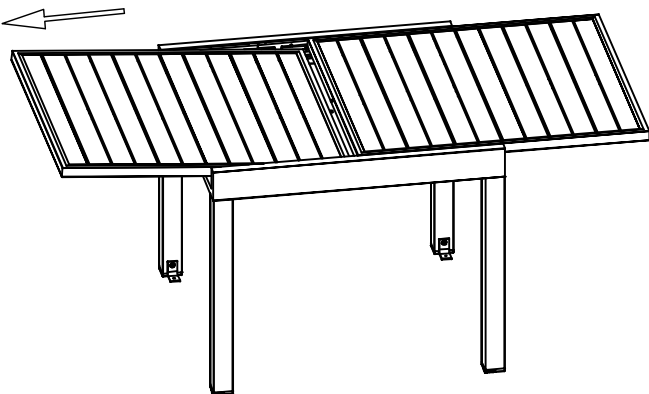
7



**Step 2:**

Pull out the upper table to the right side.

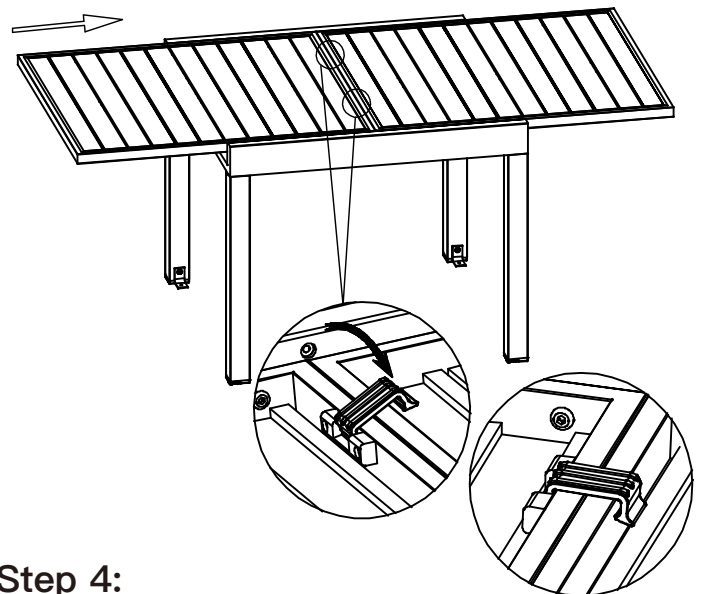
8



**Step 3:**

Pull out the lower table to the upper left side.

9

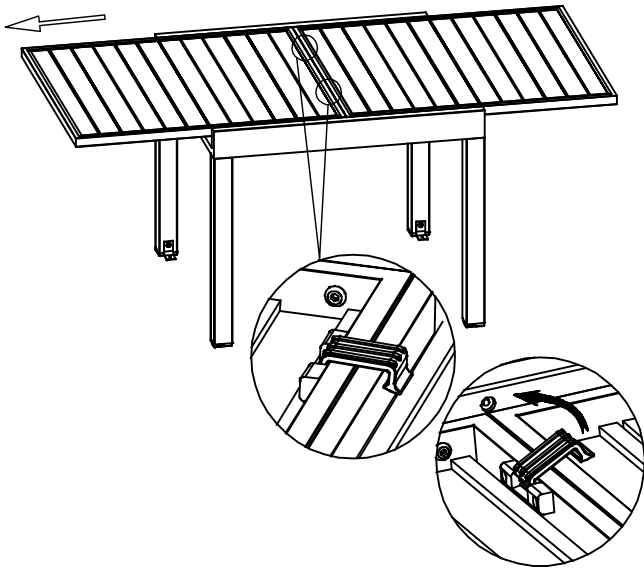


**Step 4:**

Make the lower table to the same height as the upper one, and then secure the two tables with the latch under the tabletop.

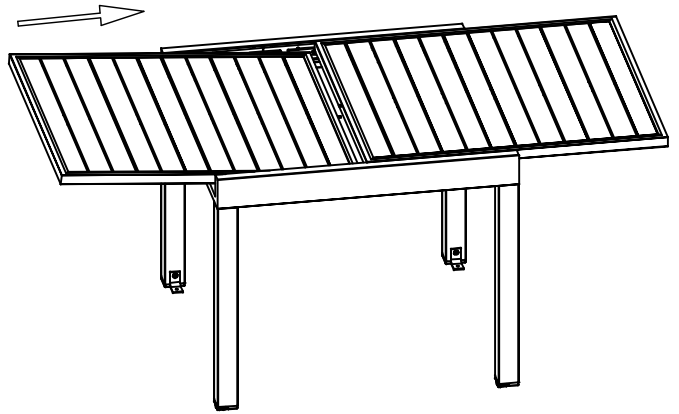
# How to retract the Extendable Table?

10



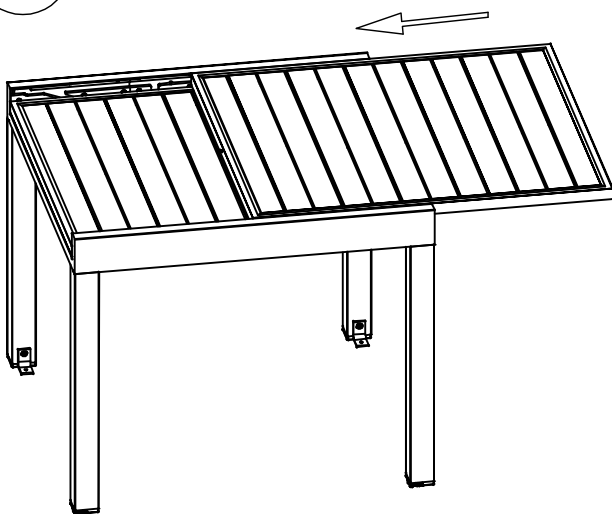
**Step 1:**  
Unlock the latch under the tabletop,  
then pull out the lower tabletop.

11



**Step 2:**  
As shown in the picture, make the lower  
table back to its original position.

12



**Step 3:**  
Push the upper tabletop back to the  
center of the table.

13

