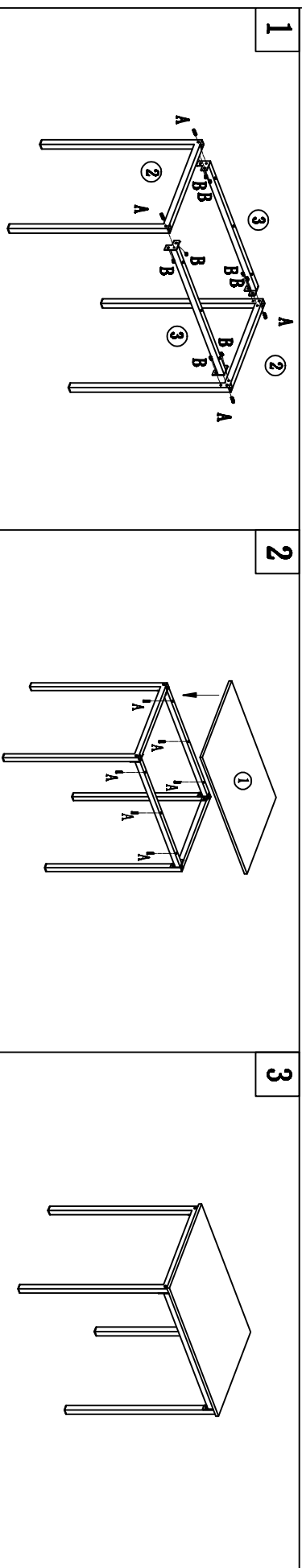


Installation Steps

Table

Caution: If the table or chair wobbles, loosen the parts and try to assemble again. Our table and chairs can only be used on a flat, level surface. For better use, we may advise you to tighten all the screws every few months.



Installation Steps

Bar Stool

Caution: If the table or chair wobbles, loosen the parts and try to assemble again. Our table and chairs can only be used on a flat, level surface. For better use, we may advise you to tighten all the screws every few months.

