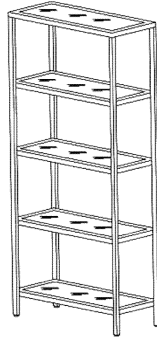
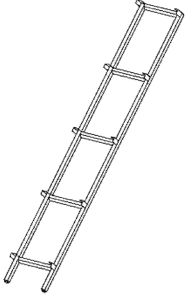


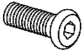


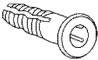

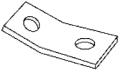


Assembly Instructions BOOKCASE

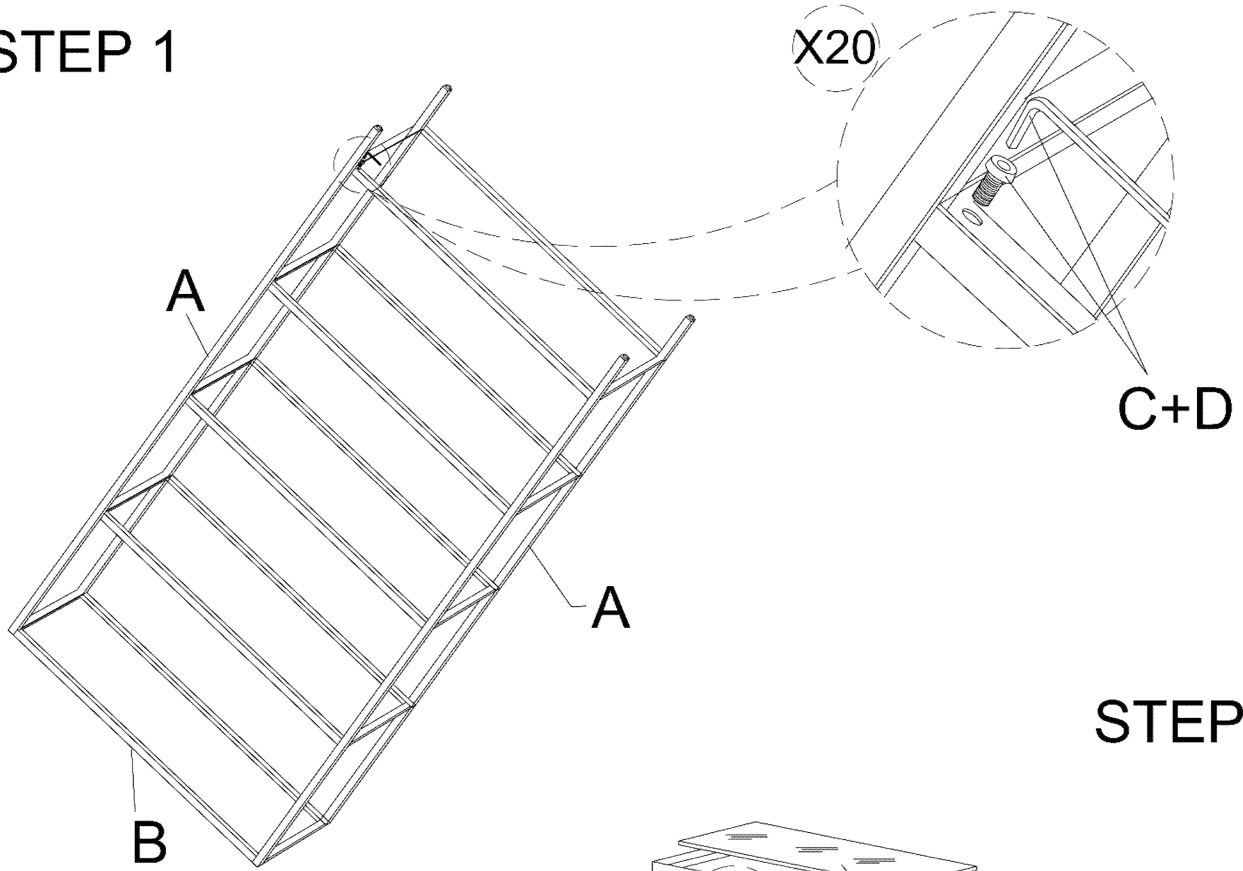


Thank you for purchasing a Living company product. This product has been designed for easy assembly and is constructed for durability. Please take the time to read and follow the assembly instructions carefully. If a part or hardware is missing or you have any difficulties in assembling this product, please contact us.

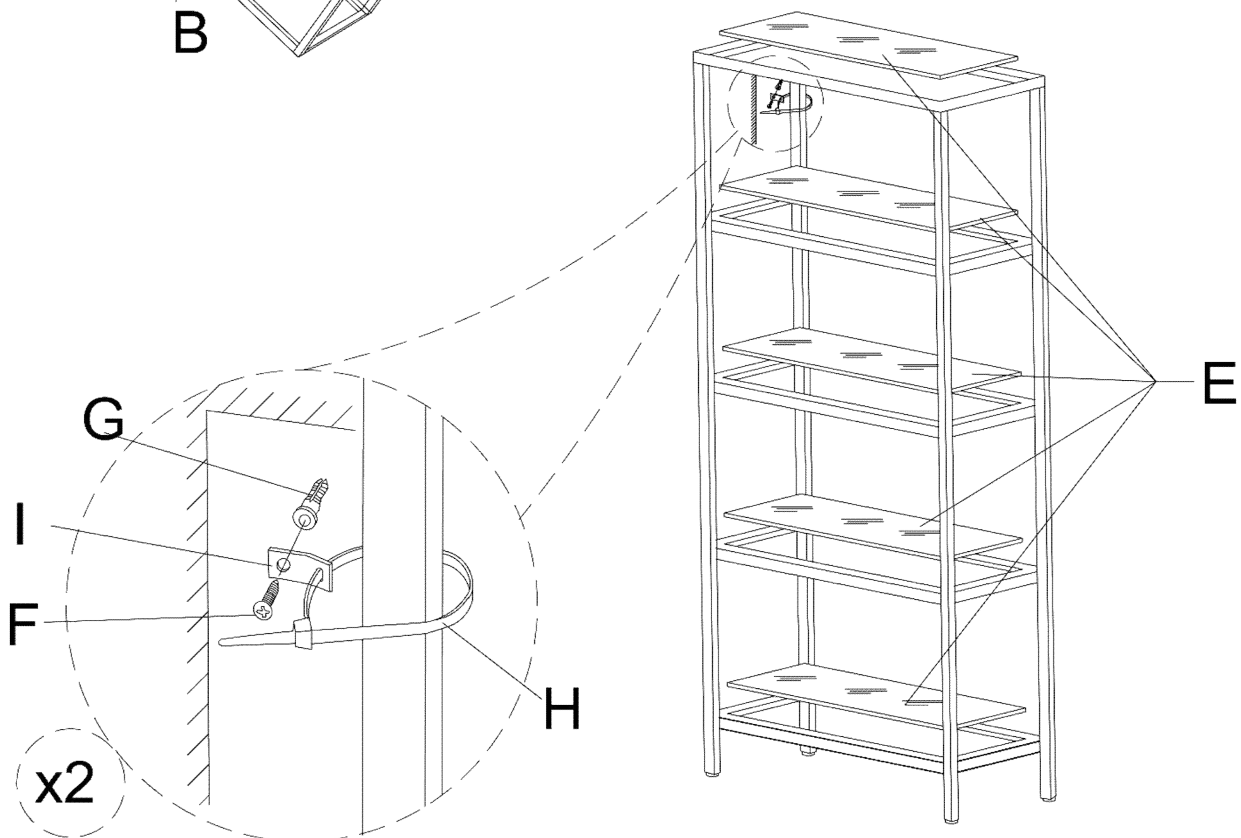
NO.	PART	DESCRIPTION	Q'TY	NO.	PART	DESCRIPTION	Q'TY
A		Side Frame	2PCS	B		Metal Rail	10PCS
C		Allen head Wrench 4mm	1PC	D		Allen head bolt M6 X 12mm	20PCS
E		Glass Shelf	5PCS				
Trip Resistance Kit							
F		Allen Head Bolt ST4.0 20	2PCS	G		Expansion Tube	2PCS
H		Plastic Fastener 5MM	2PCS	I		L Bracket	2PCS

Assembly Instructions
BOOKCASE

STEP 1



STEP 2



CARE INSTRUCTIONS

BOOKCASE

Thank you for your purchase. Our items are intended for residential use only.

To clean and maintain your furniture we recommend dry dust with a soft clean cloth.

Do not use harsh chemicals to clean your furniture as this could damage the protective top coat and/or finish