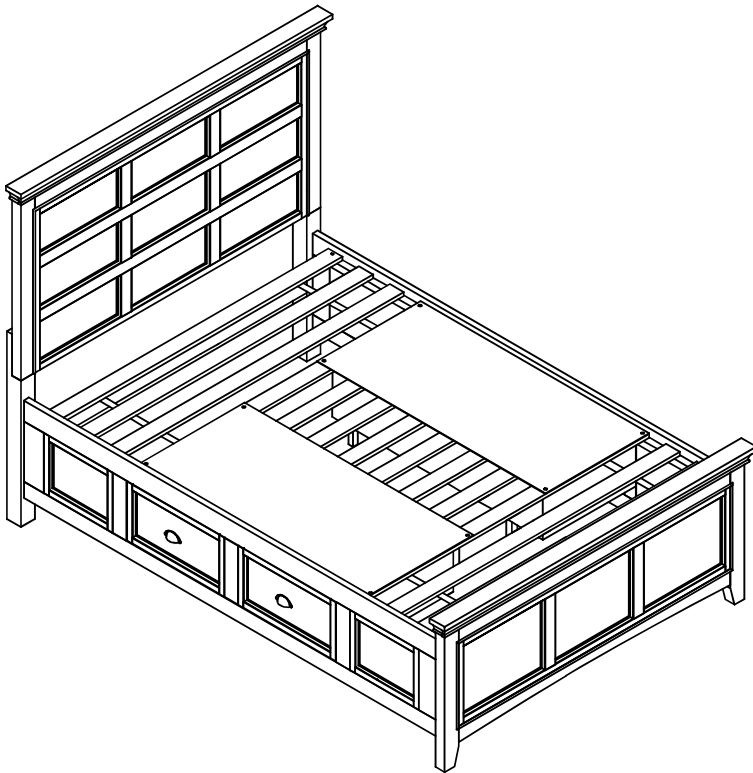


ASSEMBLY INSTRUCTIONS



TOOLS REQUIRED



Allen Wrench
(Included)



Wrench
(Included)



Phillips Screwdriver
(Not Included)



2 - People
Recommended

ASSEMBLY RATING



EASY —————> DIFFICULT

The Assembly Rating is a 5-point system showing the level of effort needed to assemble a specific product.



CHECK BEFORE STARTING

Are you missing anything?

Double-check all parts, hardware and accessories listed are all accounted for.

Check out our Quick Tips!

We recommend reviewing the pre-assembly handouts. Even experts need a refresher now and then!

Should we send any replacements?

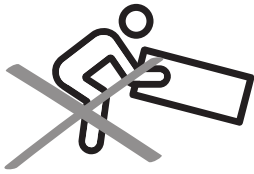
Are there any irregularities or flaws in the parts? We can send replacements!

Prep Time!

Please review the assembly instructions and all diagrams prior to assembling.

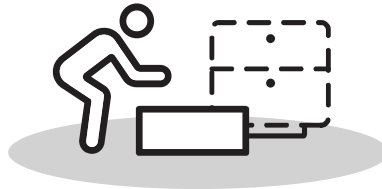
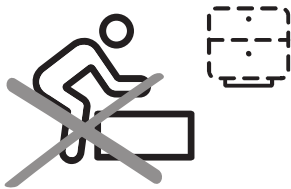
PRE ASSEMBLY INTRODUCTION

We understand building ready-to-assemble furniture can be a challenging experience for some. To help avoid confusion, we have provided some helpful tips that may speed up the process.



Teamwork

ALWAYS have at least two people to help with transporting and assembling the product to avoid potential injury and/or damage.



Suitable Location

Assembling near the area of the intended location is highly recommended.



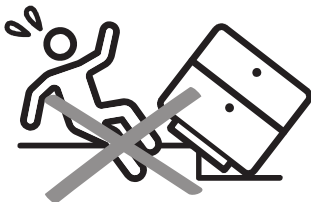
Sufficient Space

Make sure you have enough space to move around during the assembly.



Avoid Scratches

Use cardboard, blankets or a carpeted area while assembling furniture to prevent to prevent scratches and damages.



Flat Surface

Make sure the furniture rests on a flat and level surface with each leg evenly touching the floor.

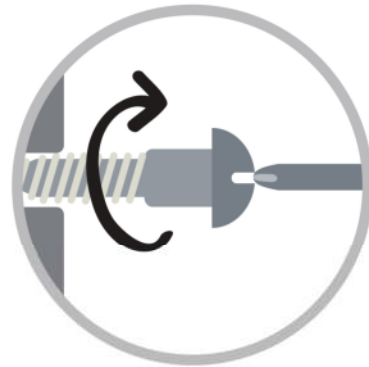
ASSEMBLY AND CARE ADVICE



FAILURE TO FOLLOW THE GUIDELINES BELOW MAY RESULT IN INJURY AND/OR PROPERTY DAMAGE.



Position each part correctly and insert screws or bolts into their respective holes.



Turn clockwise to tighten and only tighten when step is completed or when instructed to do so.



Use the appropriate hand tools or power tools for assembly. Select steps, such as tightening screws and/or bolts, may require hand tools to avoid causing damage during assembly.



Save the instructions and store any supplied tools for later maintenance.



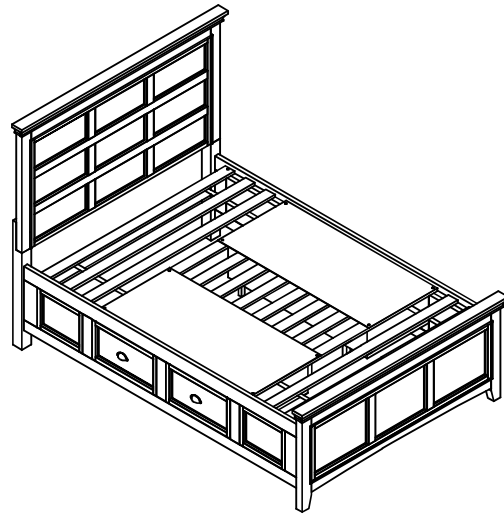
After two weeks, check and tighten any loose hardware and repeat again every six months thereafter.

IT IS THE USER'S RESPONSIBILITY TO MAINTAIN THE FURNITURE. THE HARDWARE MAY LOOSEN OVER TIME AND MAY CAUSE THE FURNITURE TO BE WOBBLY AND UNABLE TO SUPPORT ITS INTENDED WEIGHT CAPACITY. THIS MAY LEAD TO COLLAPSE AND MAY CAUSE SERIOUS INJURY.

BED



- Please keep instructions for future reference.
- Check the quantity and irregularity of parts and hardware before you start.



PARTS

#1 1pc



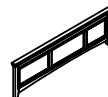
Headboard Panel

#2 2pcs



HB Leg (L&R)

#3 1pc



Footboard

#4 2pcs



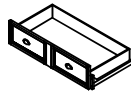
Side Rail

#5 1pc



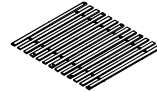
HB Support

#6 2pcs



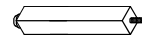
Drawers

#7 1set



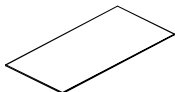
Bed Slat (13pcs)

#8 4pcs



Support Leg

#9 2pcs



Conceal Panel

HARDWARE

#A 10pcs



Bolt
Ø5/16" x 2"

#B 10pcs



Lock Washer
Ø5/16"

#C 10pcs



Flat Washer
Ø5/16"

#D 1pc



Allen Wrench
4mm

#E 14pcs



Screw
#4 x 30mm

#F 8pcs



Threaded Pins
Ø5/16" x 3-1/2"

#G 8pcs



Hex Nut
Ø5/16"

#H 8pcs



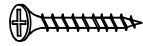
Half Moon washer
Ø5/16"

#I 1pc



Wrench
12mm

#J 8pcs



Screw
#4 x 12mm

#K 12pcs



Bolt
Ø1/4" x 1-1/2"

#L 12pcs



Lock Washer
Ø1/4"

#M 12pcs



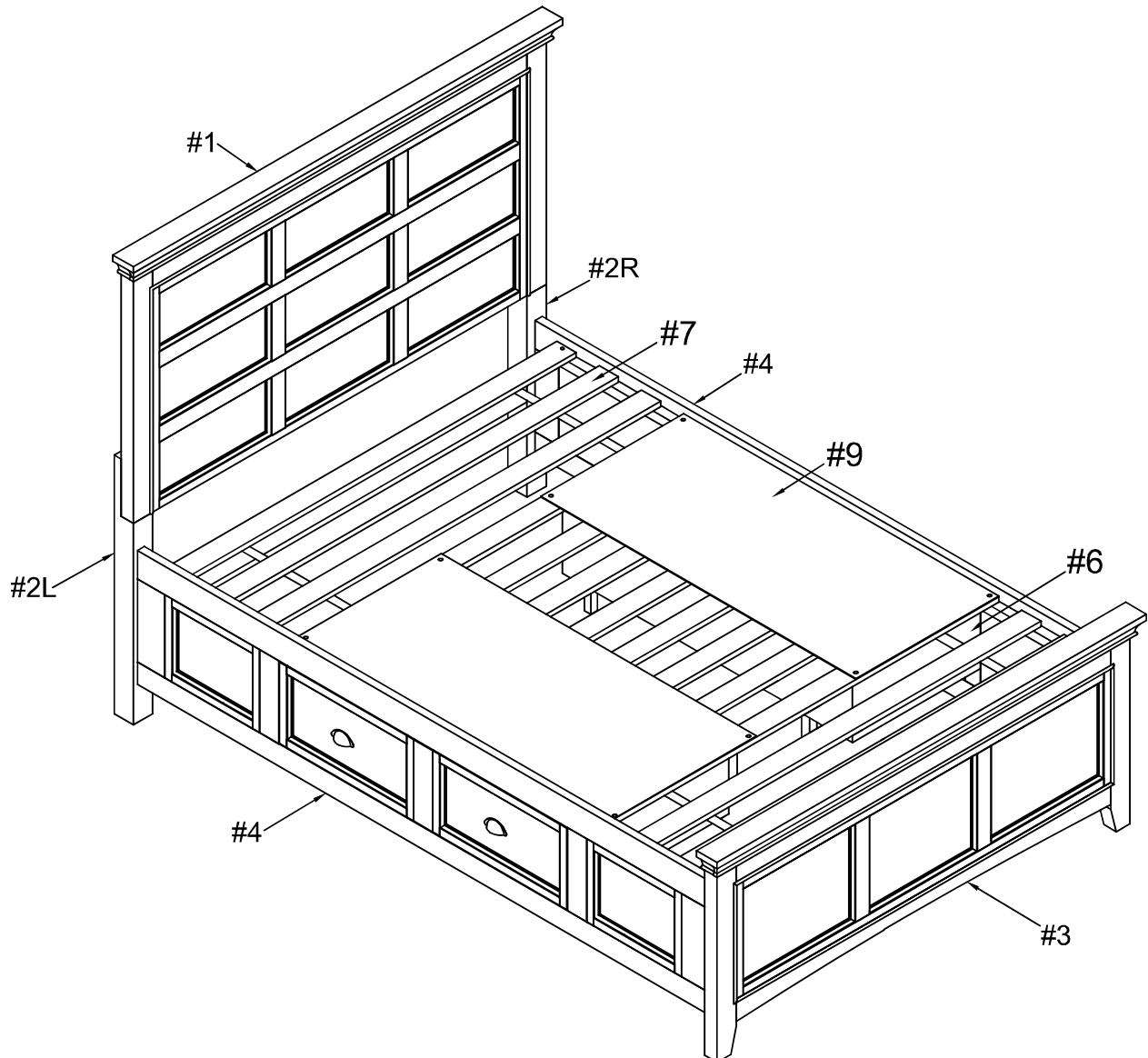
Flat Washer
Ø1/4"

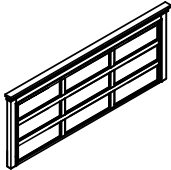





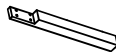

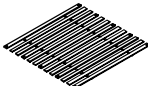
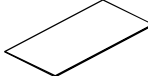
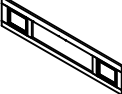
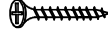




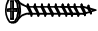




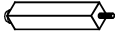
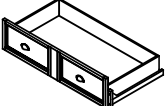
#N 1pc



Allen Wrench
4mm

Exploded view

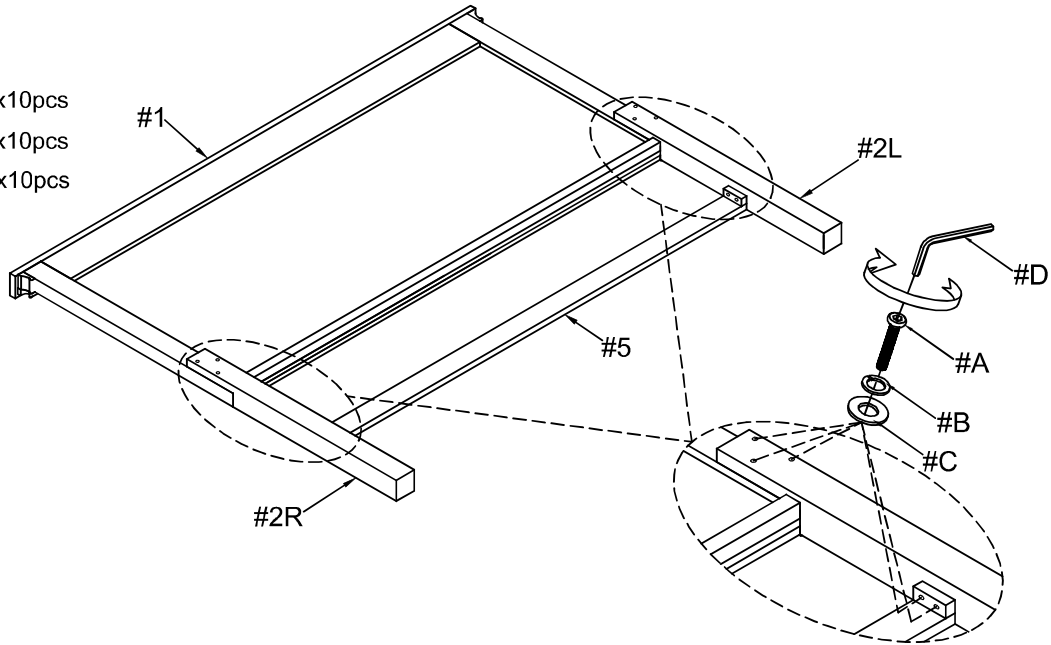


Carton	Disignation		Part	Hardware
1	Headboard Panel	#1		 #A 10pcs  #B 10pcs  #C 10pcs  #D 1pc
	HB Support	#5		
	HB Leg (L&R)	#2		
2	Footboard	#3		
	Bed Slat	#7		
	Conceal Panel	#9		
3	Side Rail	#4		 #E 10pcs  #F 8pcs  #G 8pcs  #H 8pcs  #I 1pc  #J 8pcs  #K 12pcs  #L 12pcs  #M 12pcs  #N 1pc
	Support Leg (Short)	#10		
	Drawers	#6		

ASSEMBLY INSTRUCTIONS

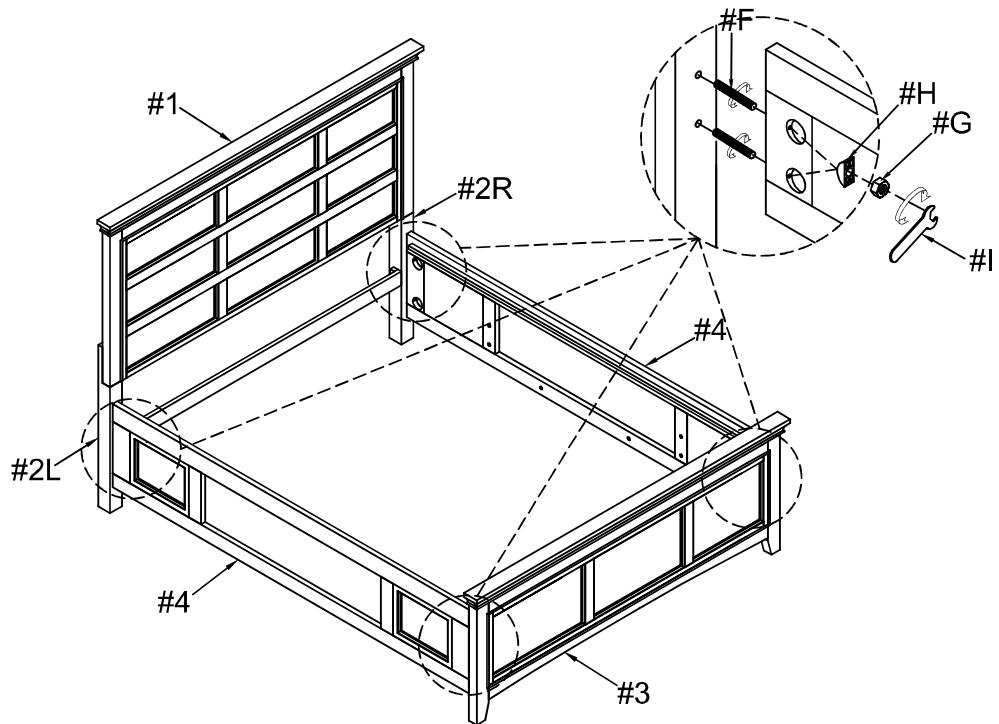
1

- Part #1 x1pc
- Part #2 x2pcs
- Part #5 x1pc
- Hardware #A x10pcs
- Hardware #B x10pcs
- Hardware #C x10pcs



2

- Part #3 x1pc
- Part #4 x2pcs
- Hardware #F x8pcs
- Hardware #G x8pcs
- Hardware #H x8pcs

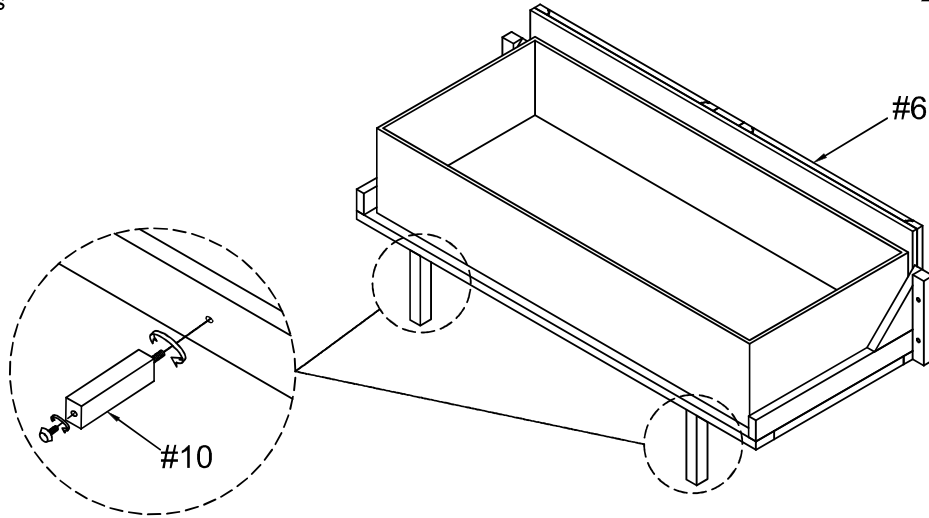


ASSEMBLY INSTRUCTIONS

3

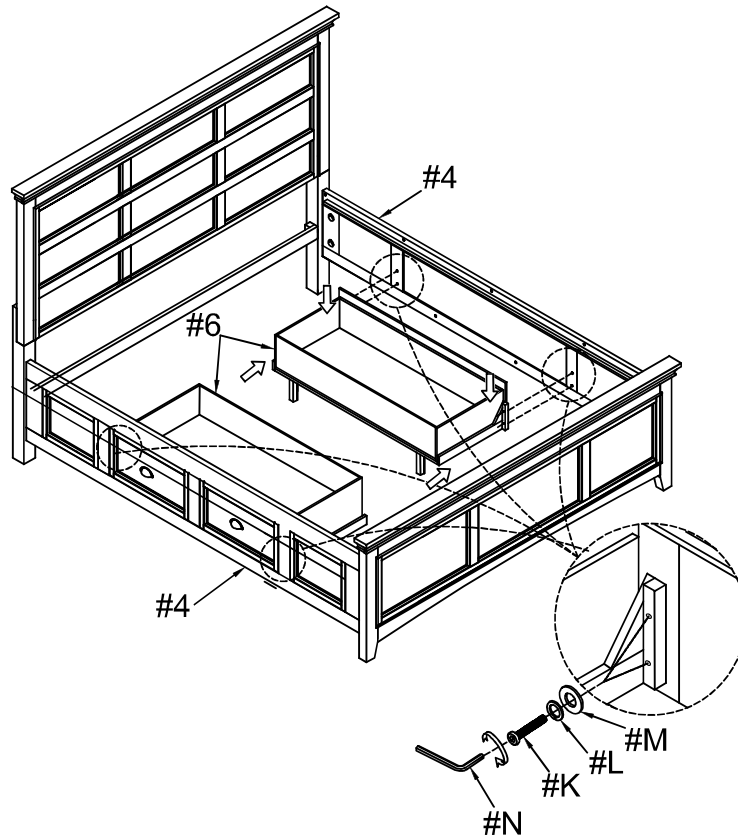
- Part #6 x1pc
- Part #10 x2pcs

x 2



4

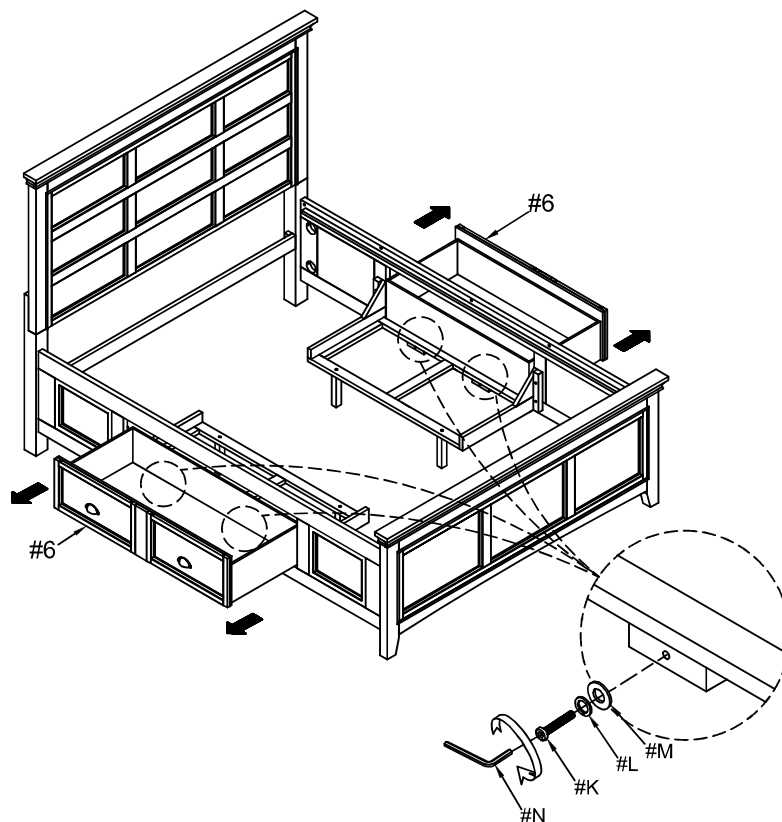
- Hardware #K x8pcs
- Hardware #L x8pcs
- Hardware #M x8pcs



ASSEMBLY INSTRUCTIONS

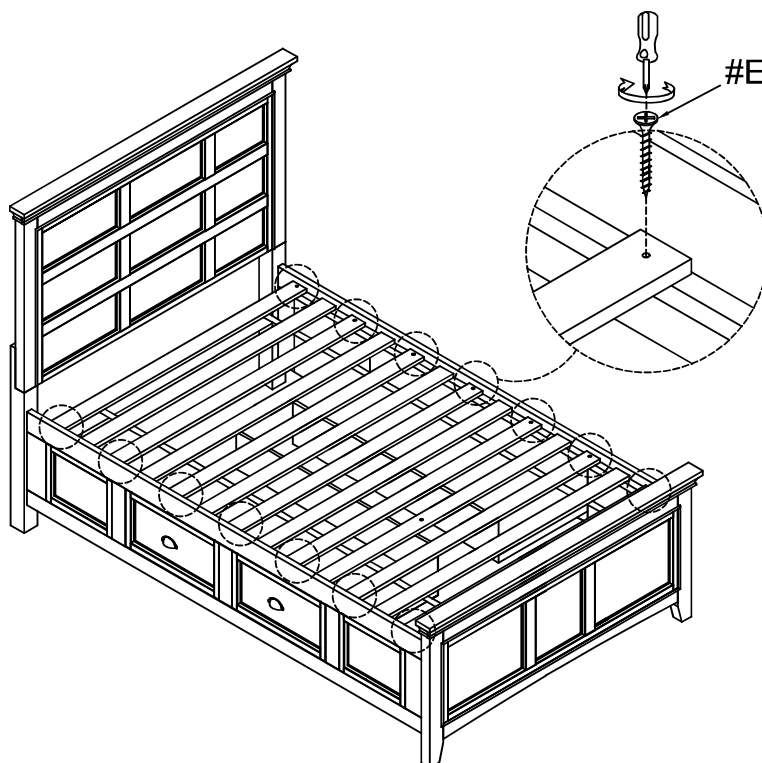
5

- Hardware **#K** x4pcs
- Hardware **#L** x4pcs
- Hardware **#M** x4pcs



6

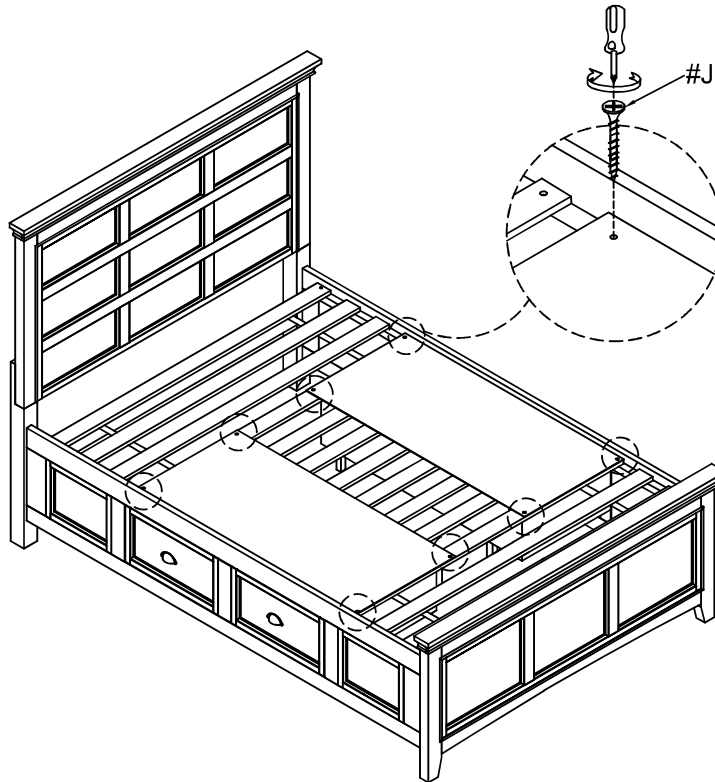
- Part **#7** x1set
- Hardware **#E** x14pcs



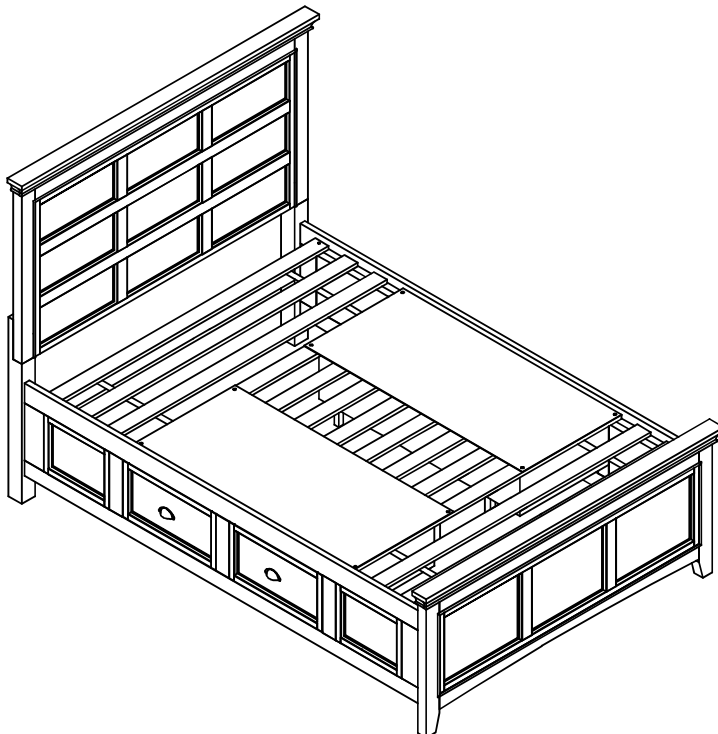
ASSEMBLY INSTRUCTIONS

7

Part #9 x2pcs
Hardware #J x8pcs



8



ASSEMBLY COMPLETED



Please ensure the furniture rests on an even and flat surface. If the product wobbles or feels loose, double-check all bolts and/or screws are properly tightened and secured.



Keep this handy!

Please retain this instruction manual and any order-related information for future reference.



Lift, don't drag!

To avoid damage to product please always LIFT the product when transporting or adjusting the placement.