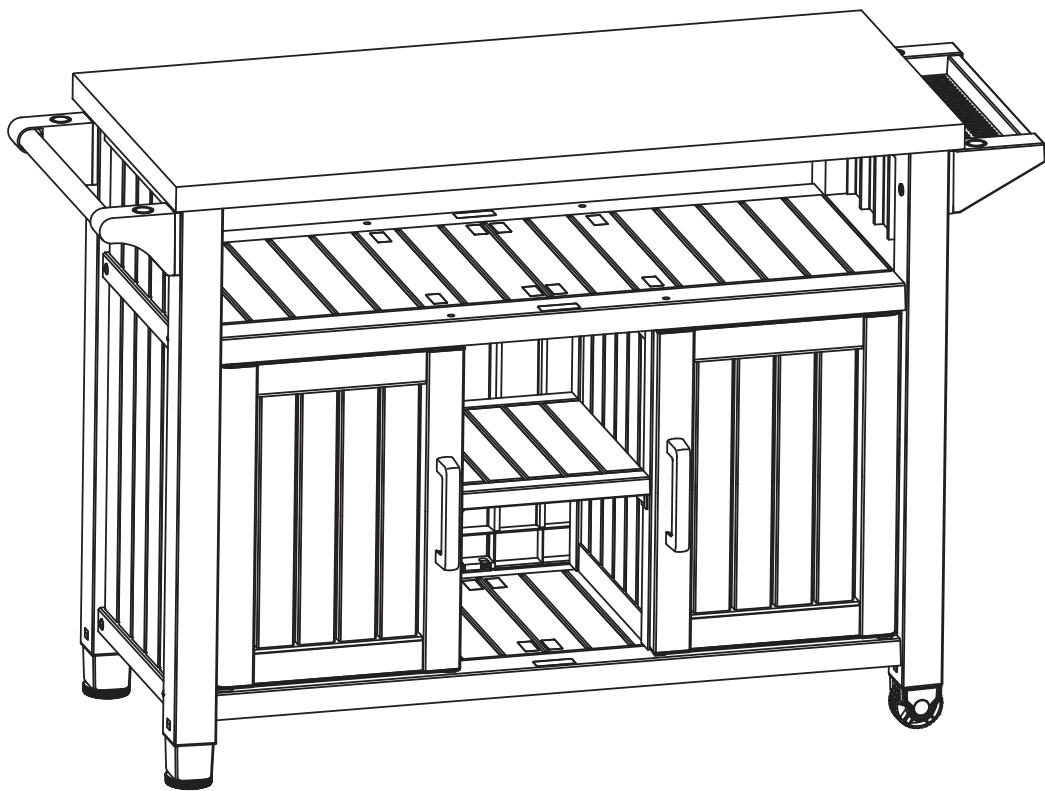


# ASSEMBLE INSTRUCTIONS



# IMPORTANT

Once installed, the product cannot be detached. Strictly follow each step in the installation manual.

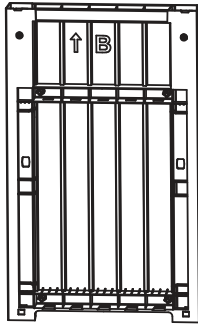
- Gather and organize all required parts prior to assembly. If you have any problems or discover any missing parts, please contact customer service.
- Some parts may contain sharp edges. Wear protective gloves if necessary during assembly.

---

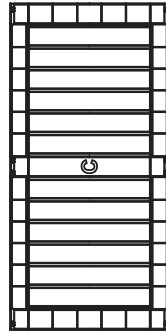
## CARE & SAFETY

- Assemble on a flat, clean and soft surface.
- In case of fire, do not attempt to extinguish any burning polypropylene with water.
- Wear safety-goggles and always follow the manufacturer's instructions when using power tools.
- During installation, please refer to the accessories guide to ensure that they are installed in the correct directions.
- Do not stand on the lid.

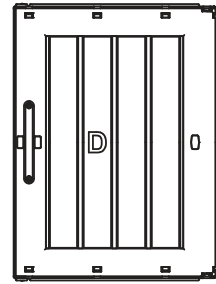
# PARTS LIST



**B(X2)**



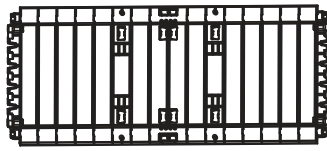
**C(X1)**



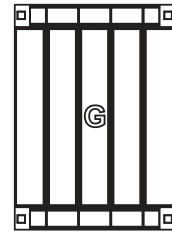
**D(X2)**



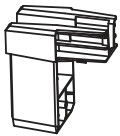
**T(X2)**



**E(X2)**



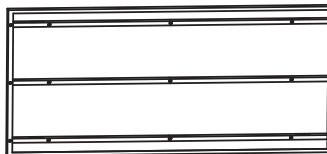
**G(X1)**



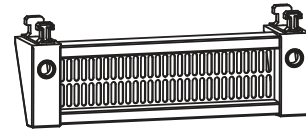
**BLS(X2)**



**BRS(X2)**



**(X1)**



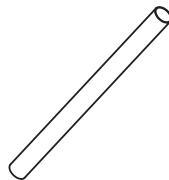
**K(X1)**



**L(X1)**



**R(X1)**



**(X1)**



**(X2)**



**(X2)**



**(X4)**



**(X2)**



**(X2)**



**N2(X4)**



**N1(X4)**



**W(X4)**



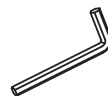
**M4x18mm  
(X8)**



**(X8)**



**(X8)**



**(X1)**



**E1(X12)**

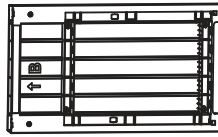


**E2(X3)**



**E3(X1)**

1



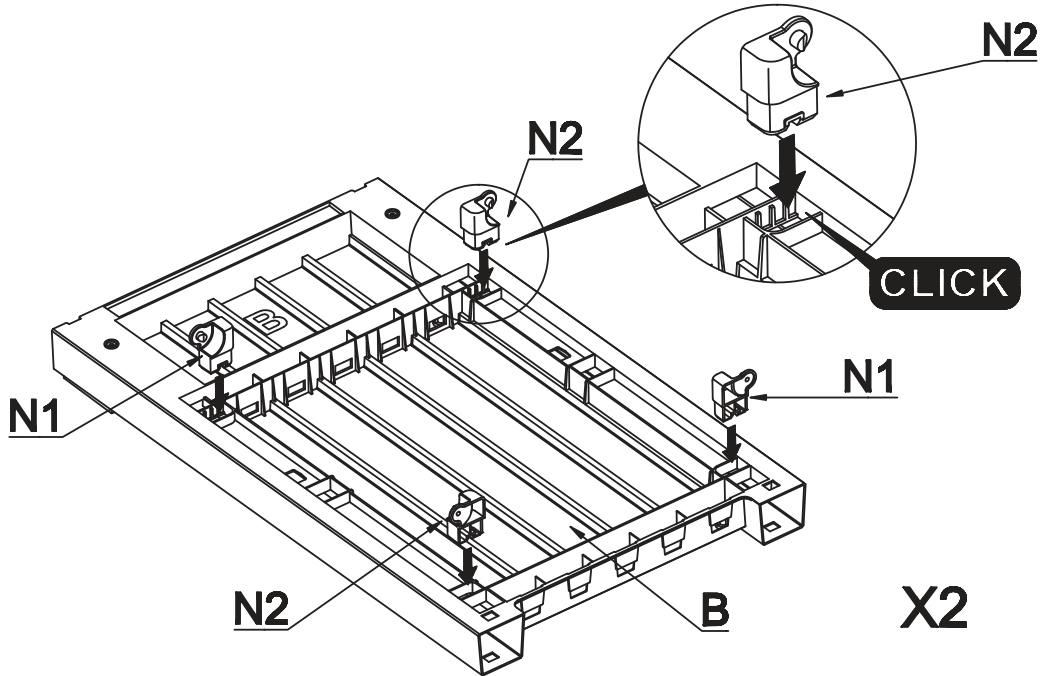
B(X2)



N2(X4)



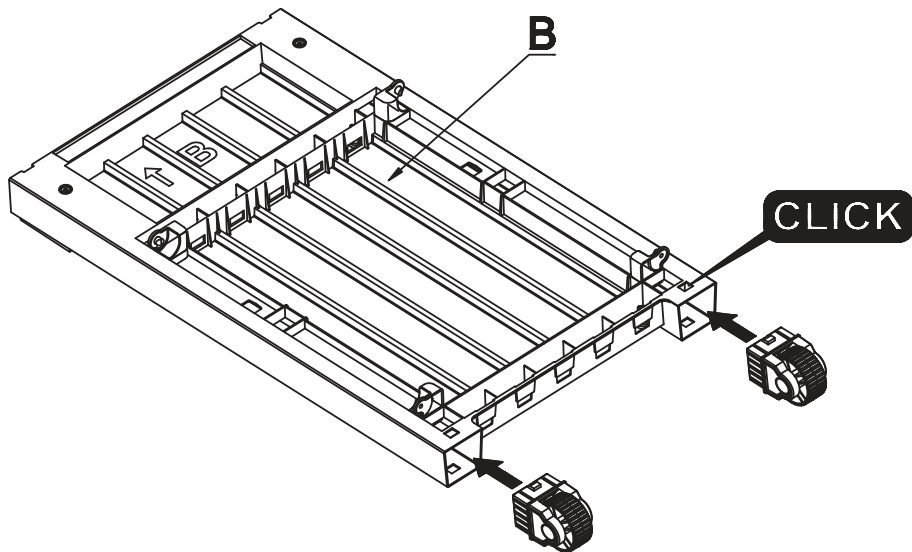
N1(X4)



2



(X2)

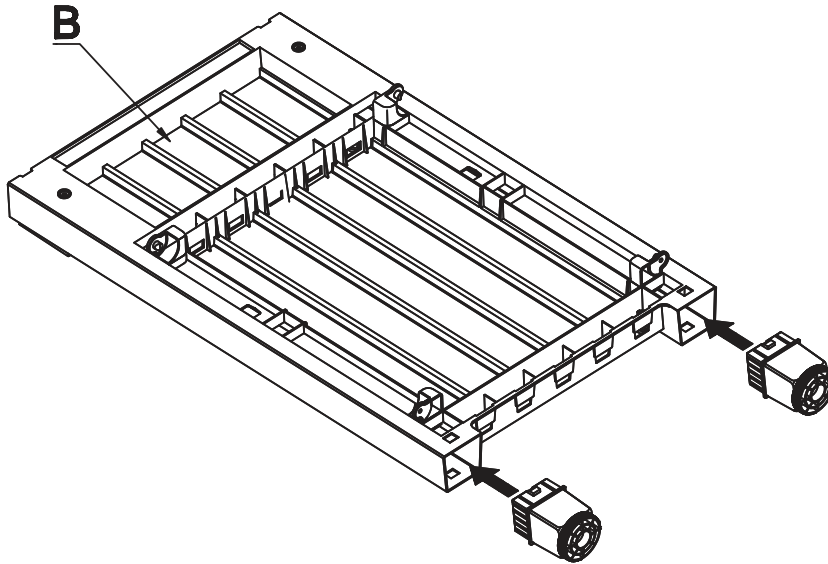


3

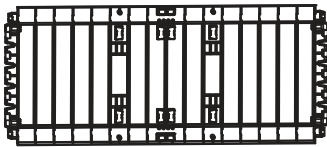
3



(X2)



4



E(X1)



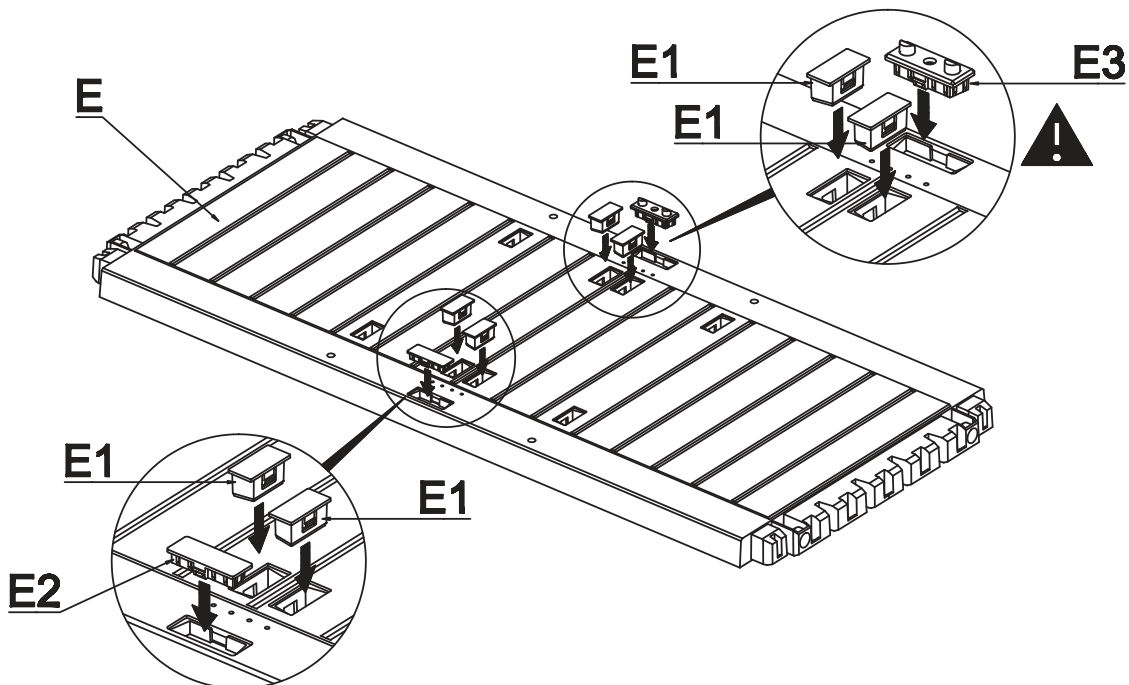
E1(X4)



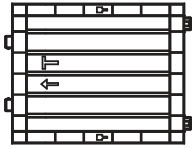
E2(X1)



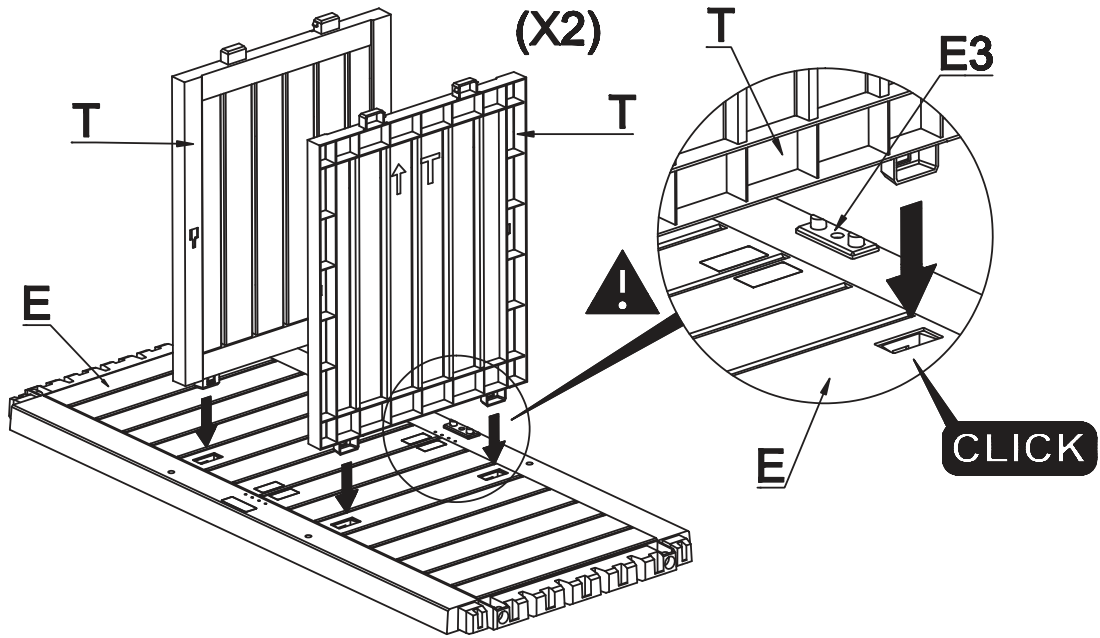
E3(X1)



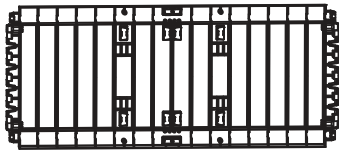
5



T(X2)



6



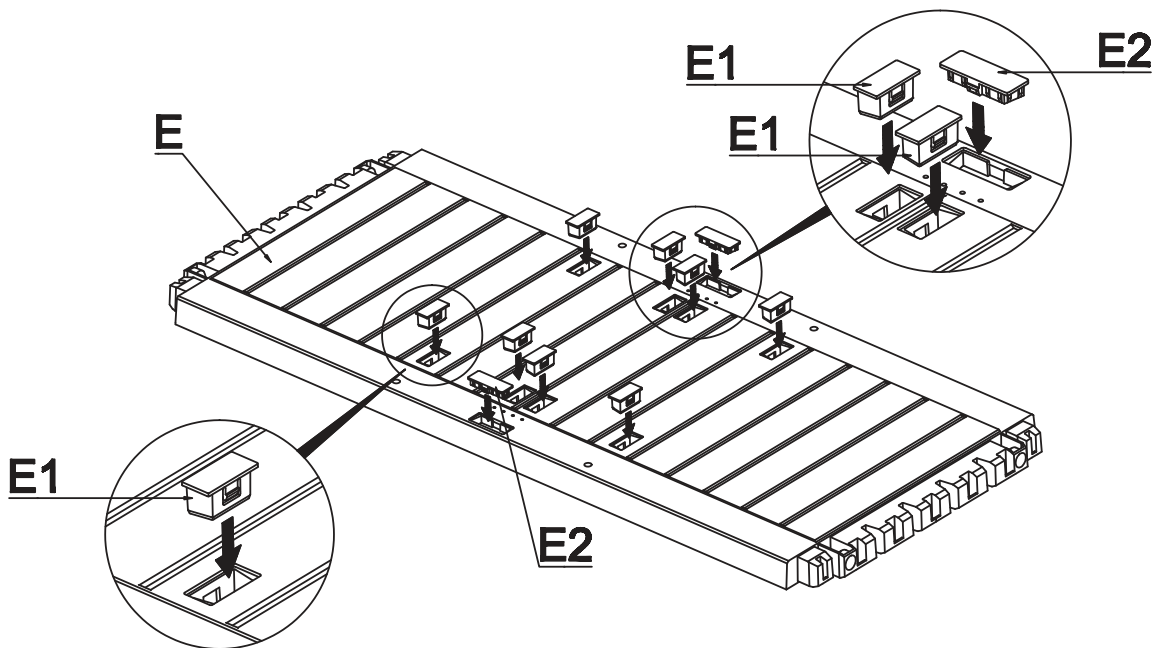
E(X1)



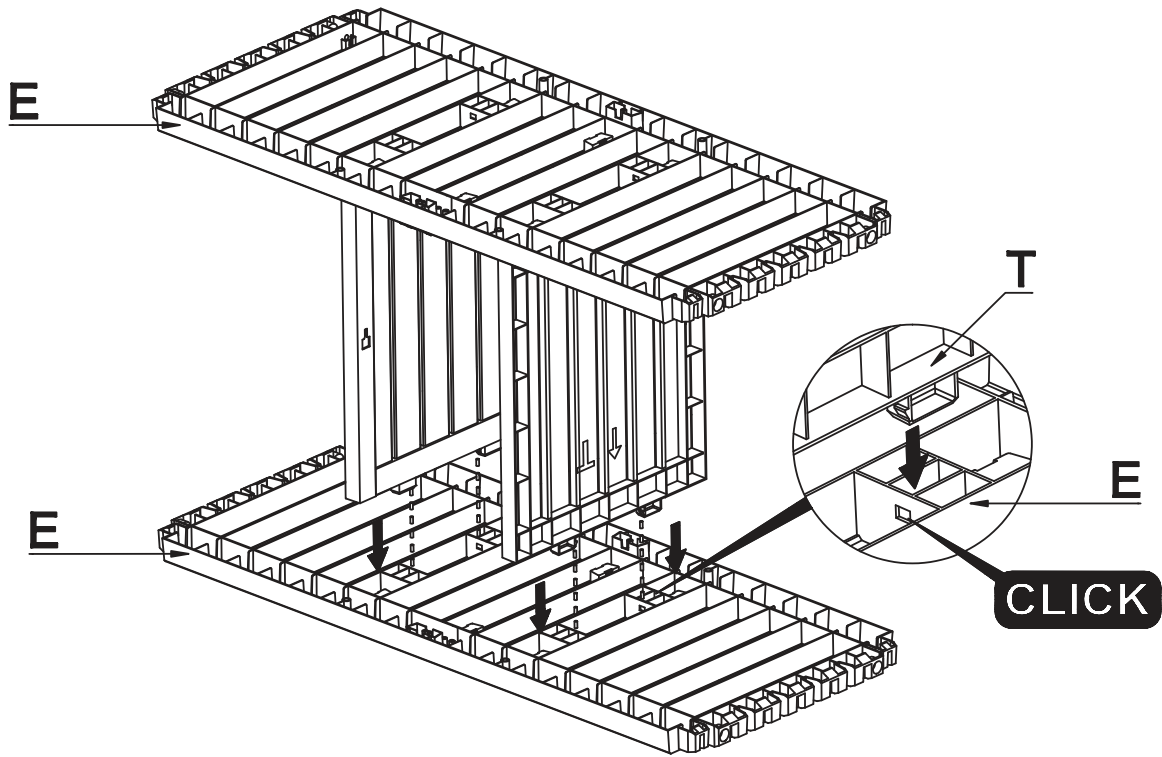
E1(X8)



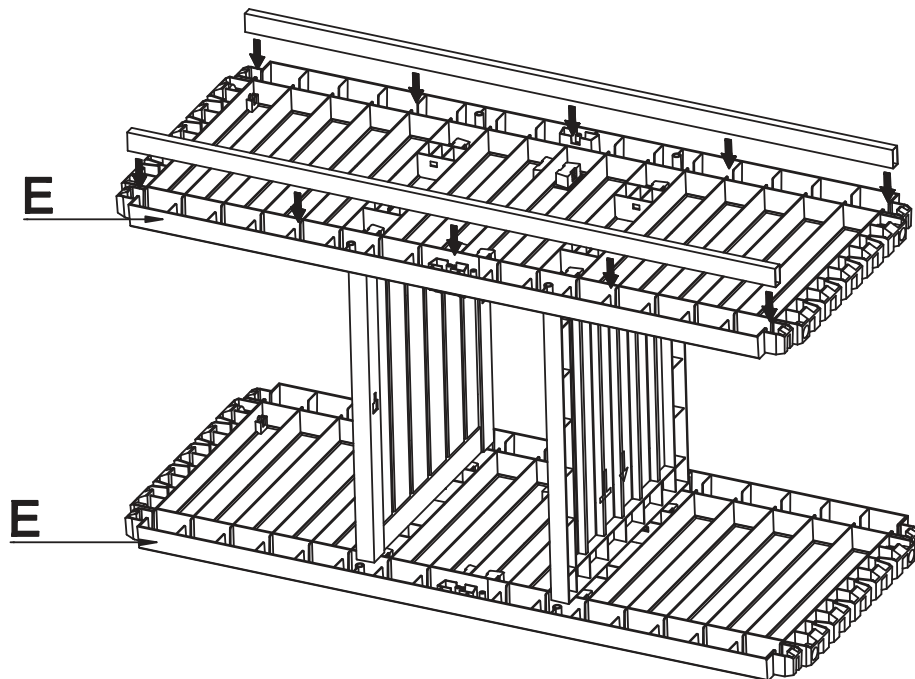
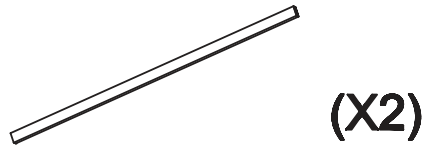
E2(X2)



7

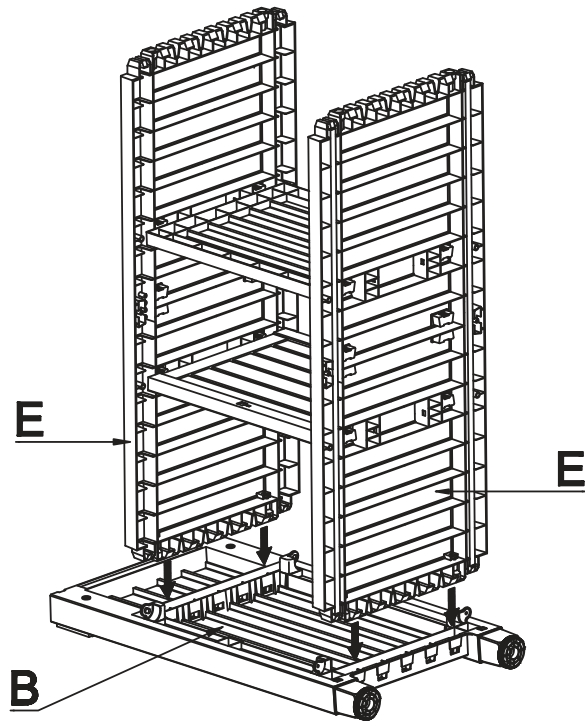


8

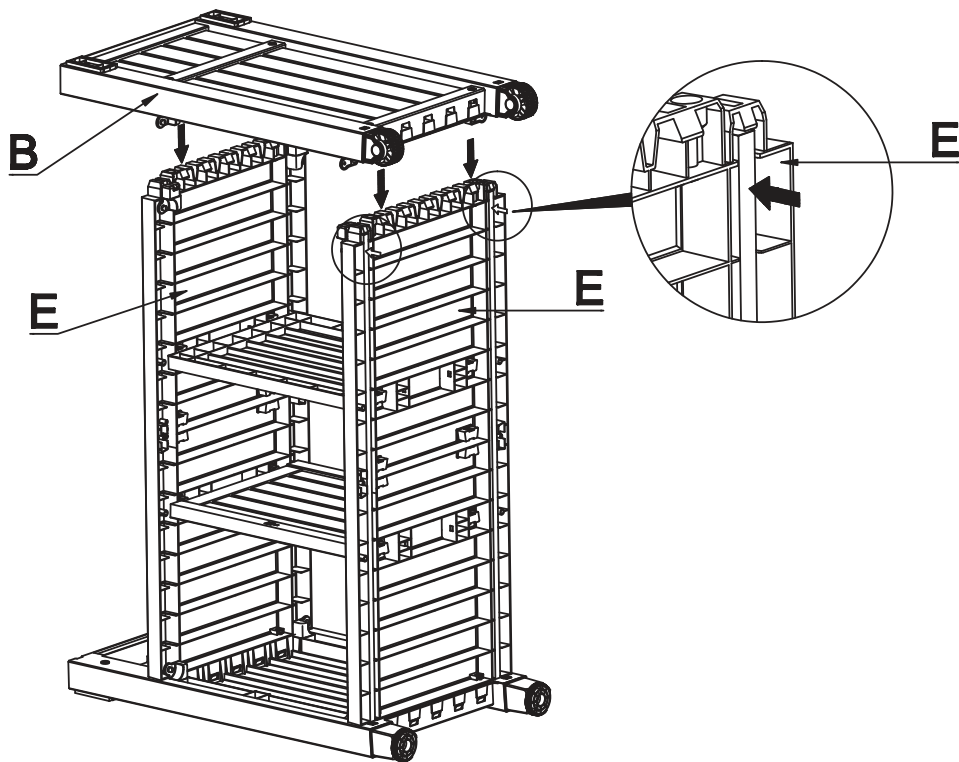


6

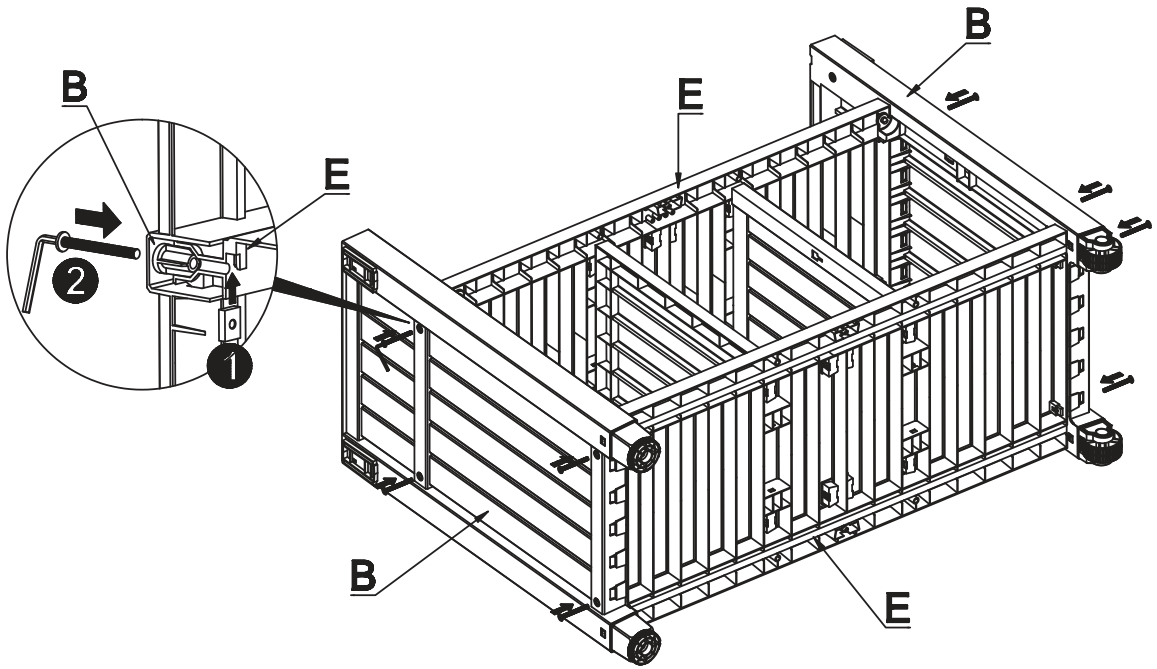
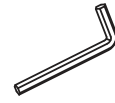
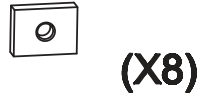
9



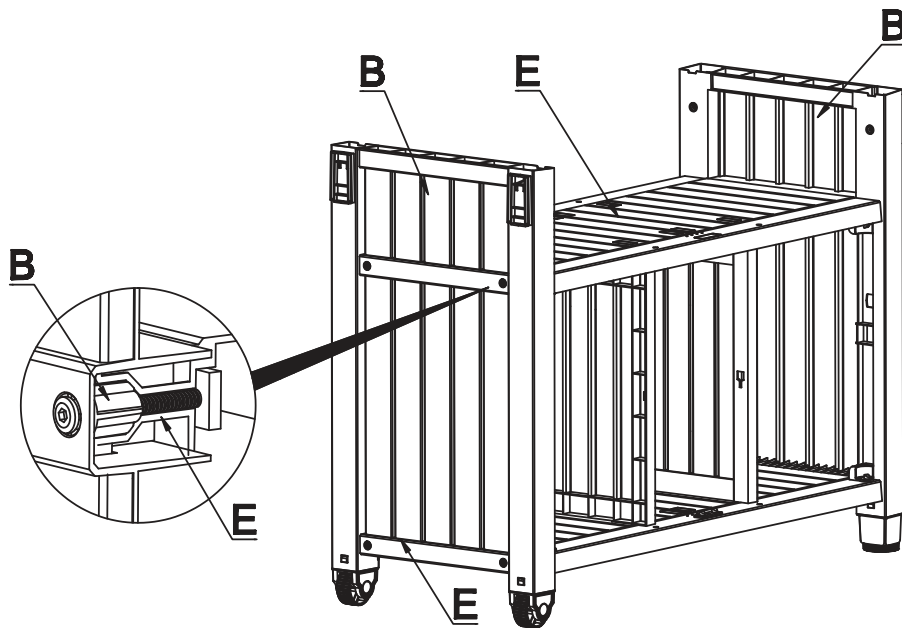
10



11



12



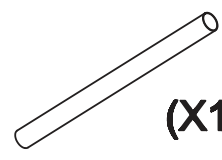
13



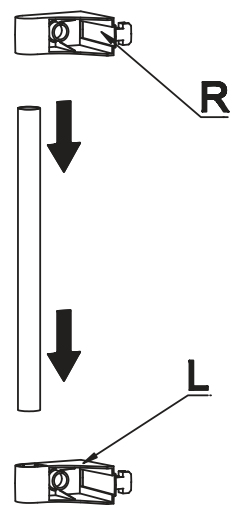
L(X1)



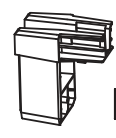
R(X1)



(X1)



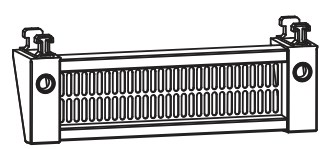
14



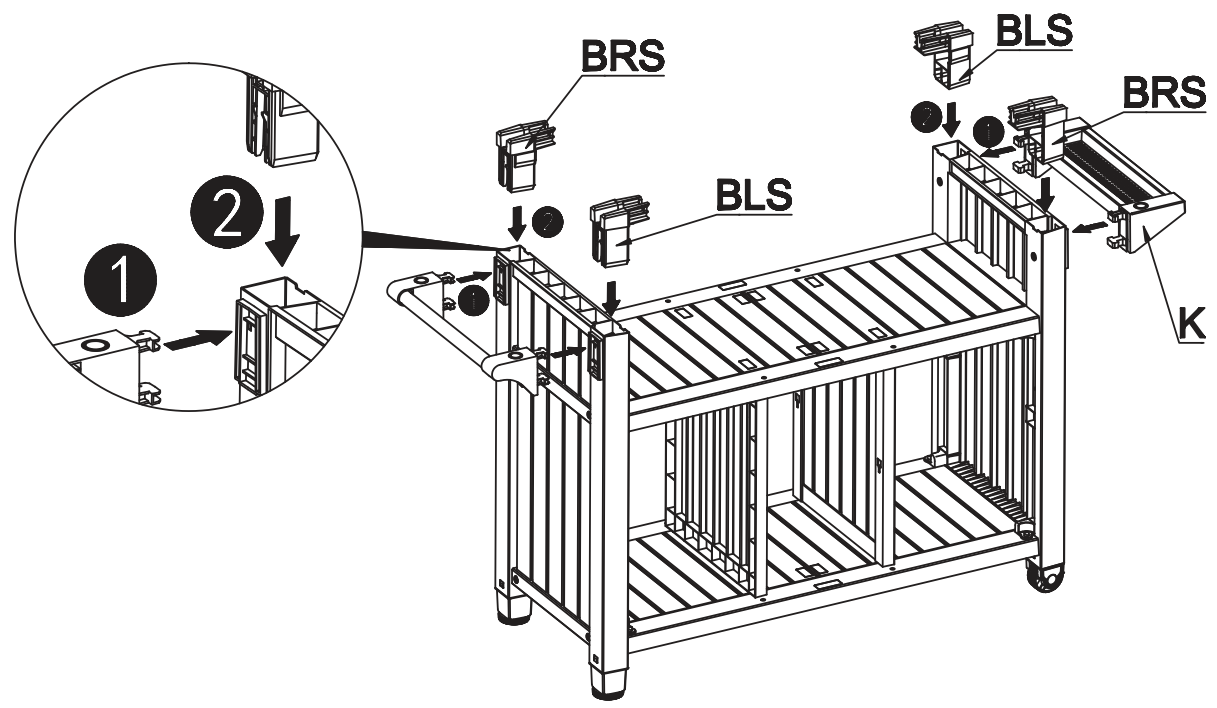
BLS(X2)



BRS(X2)



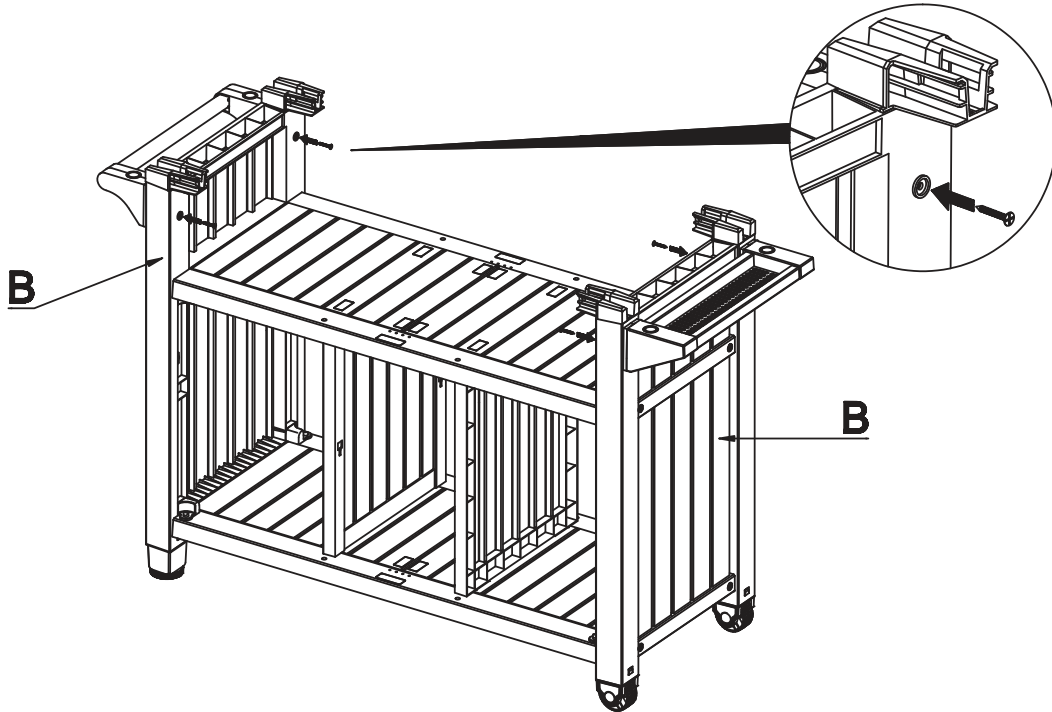
K(X1)



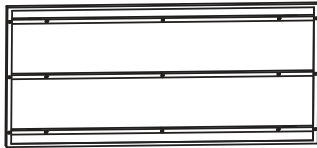
15



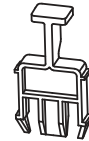
M4x18mm  
(X4)



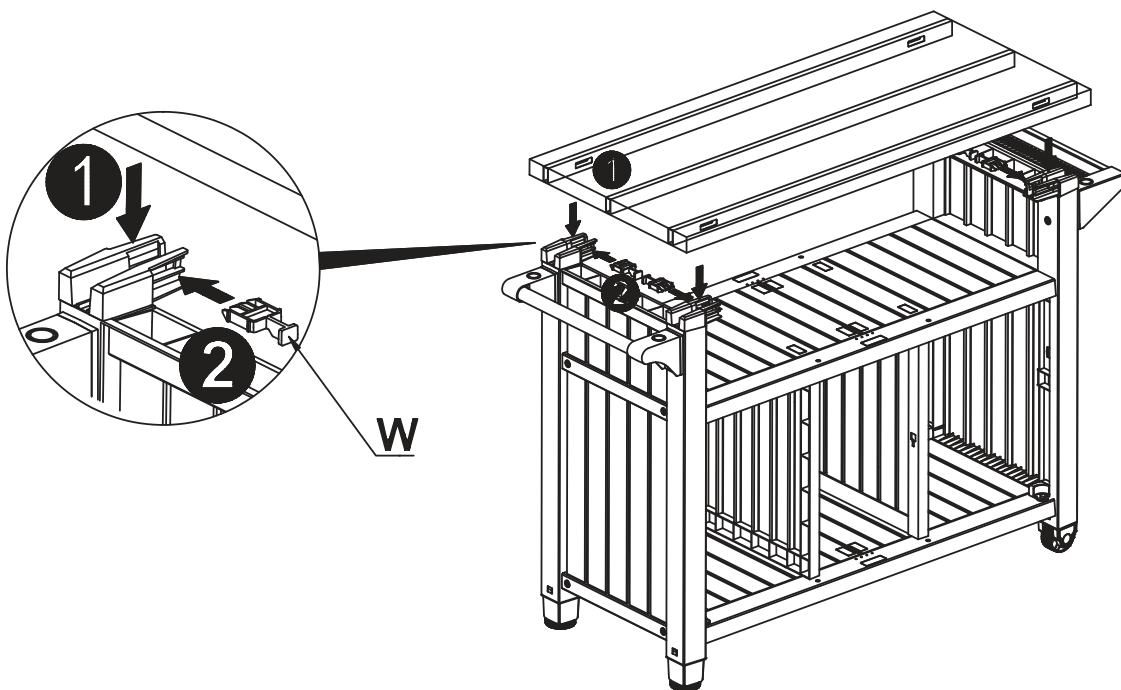
16



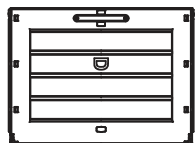
(X1)



W(X4)



17



D(X2)

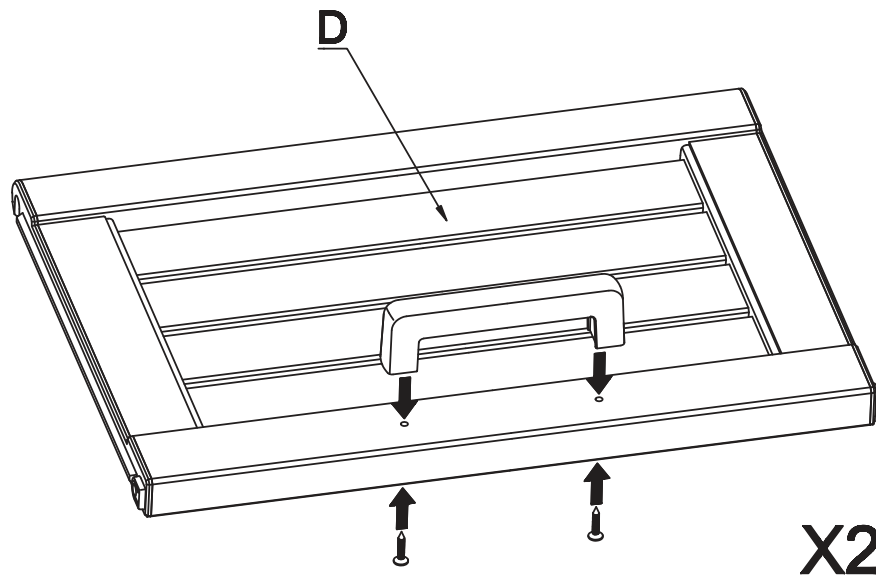


(X2)



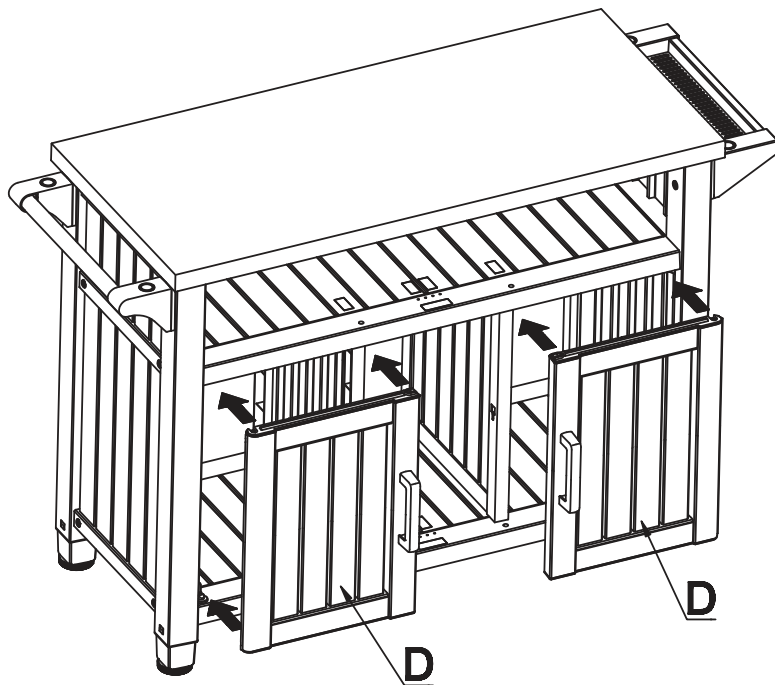
M4x18mm

(X4)

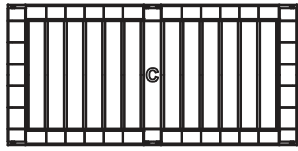


X2

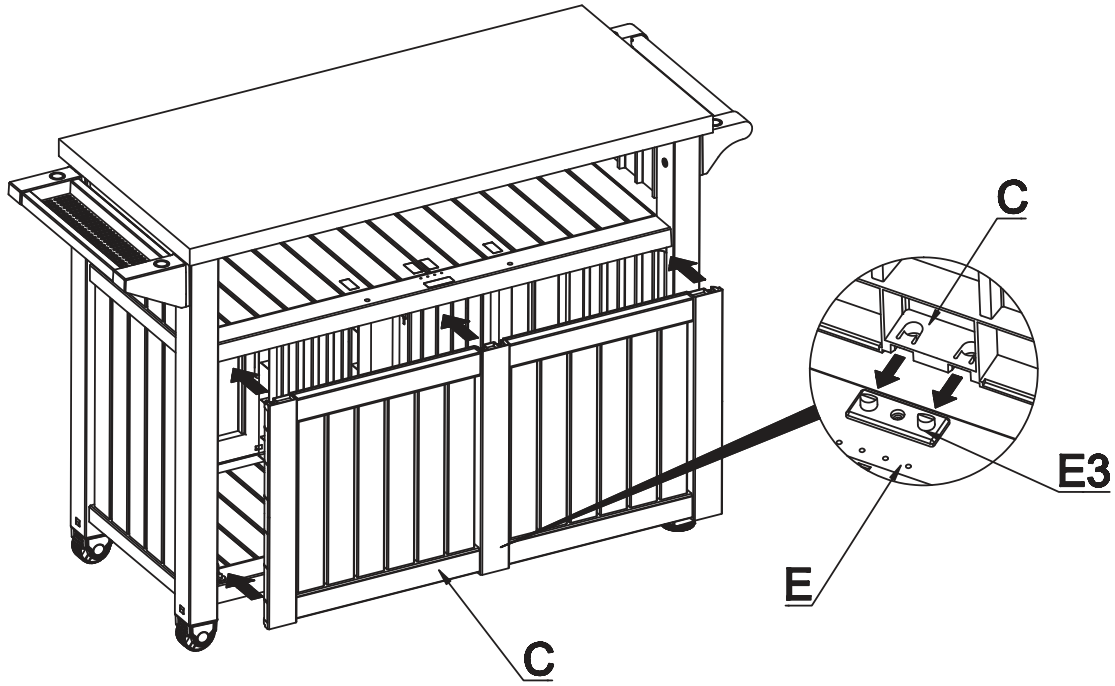
18



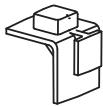
19



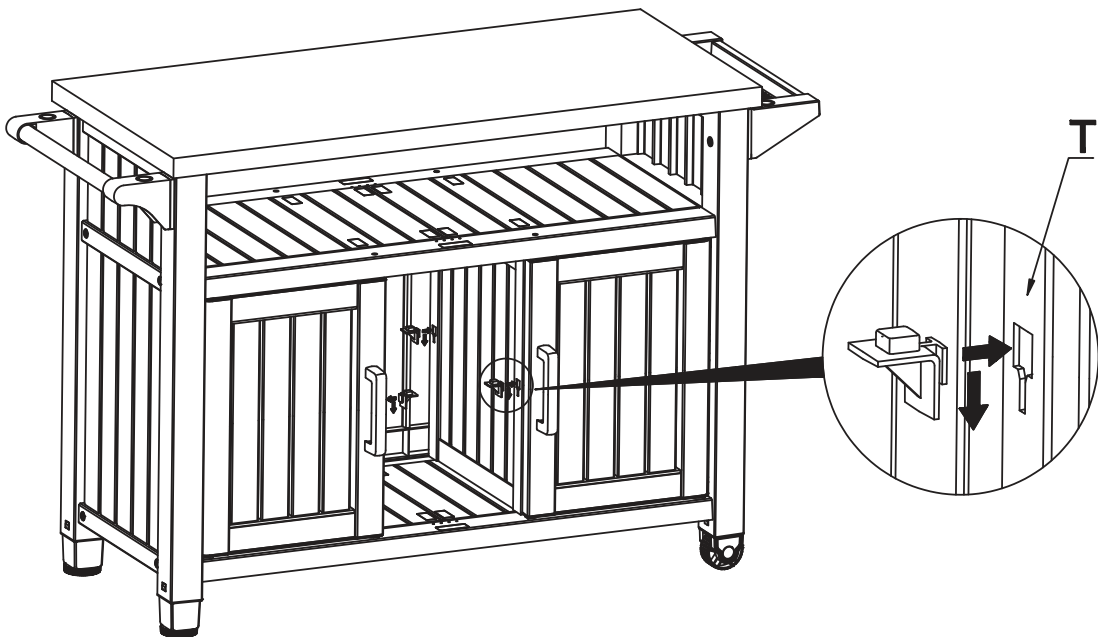
C(X1)



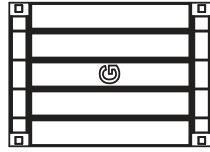
20



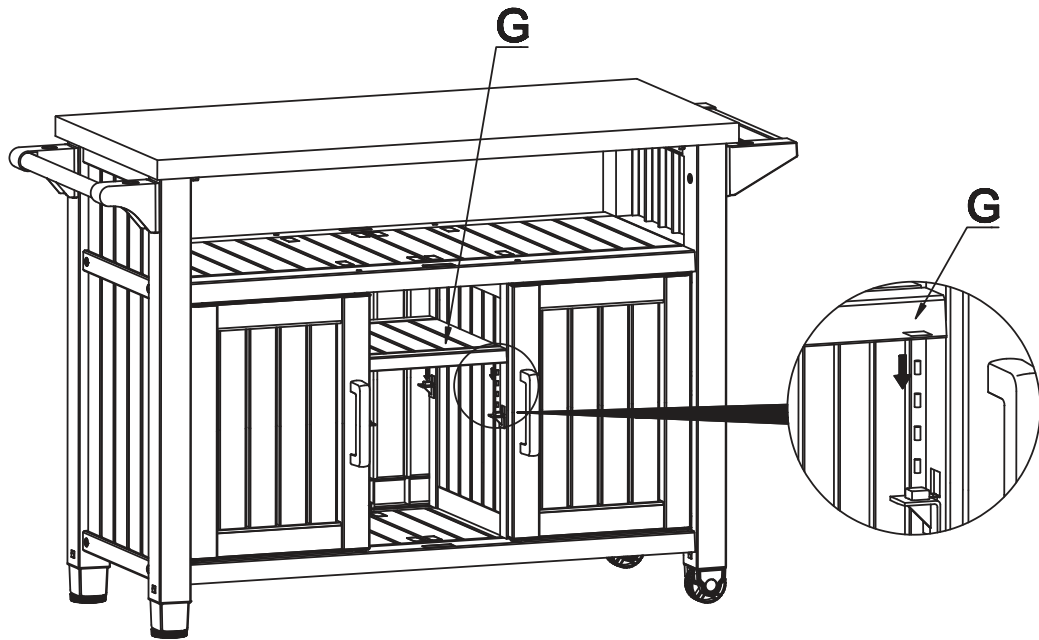
(X4)



21



G(X1)



22

