

6

5

4

3

2

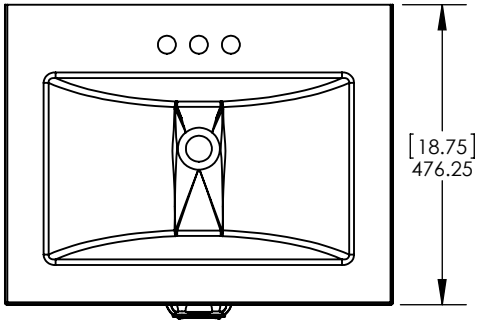
1

CABINET ID	DESCRIPTION
W050324P2	24in W0503 2Pc

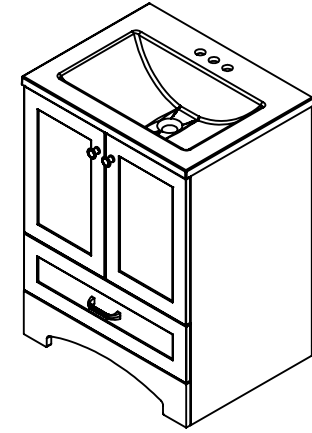
REV	ECO#	DESCRIPTION	REV'D BY DATE	CHK'D BY DATE	APRV'D BY DATE
0					

F

F



Top View / Vista Superior



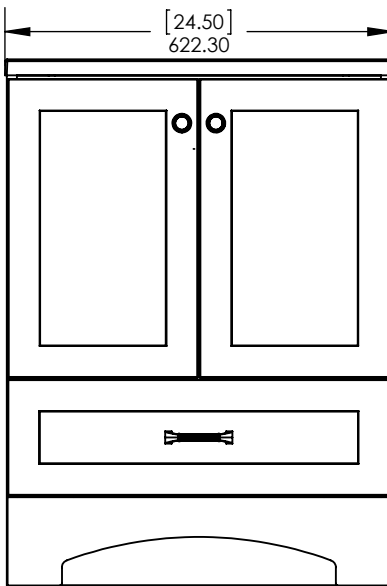
Isometric View / Vista Isometrica

E

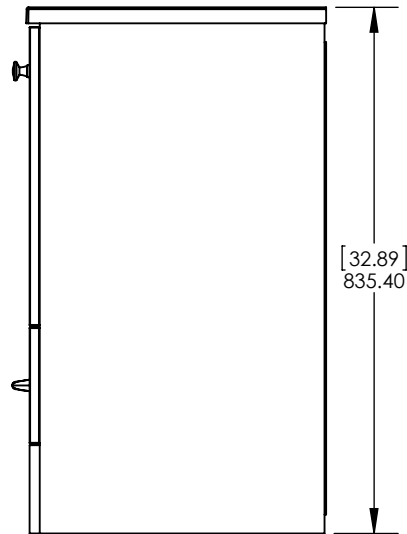
E

D

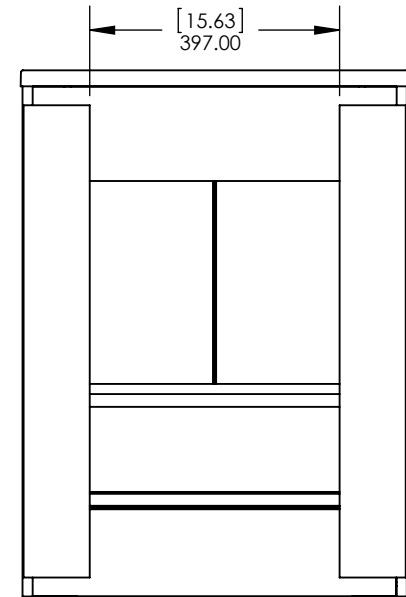
D



Front view / Vista Frontal



Side View / Vista Lateral



Back View / Vista Trasera

C

C

B

B

A

A

PROPRIETARY AND CONFIDENTIAL
 THE INFORMATION CONTAINED IN THIS DRAWING IS THE SOLE PROPERTY OF WOODCRAFTERS HOME PRODUCTS L.L.C. ANY REPRODUCTION IN PART OR AS A WHOLE, WITHOUT THE WRITTEN PERMISSION OF WOODCRAFTERS HOME PRODUCTS L.L.C. IS PROHIBITED.

Tolerancia no especificada

Lineal ±1.00mm

Angular ±0.5°

Drawn BY /
 Dibujado por:
 Checked By /
 Revisado Por:
 Approved By /
 Revisado Por:

Cabinet Name/Nombre de Gabinete:

W050324P2

FG ID:

of Drawing/ de Dibujo:

PAGE 1 OF 2

REV: **0**

6

5

4

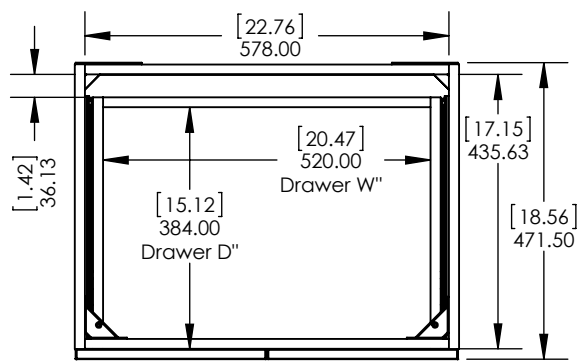
3

2

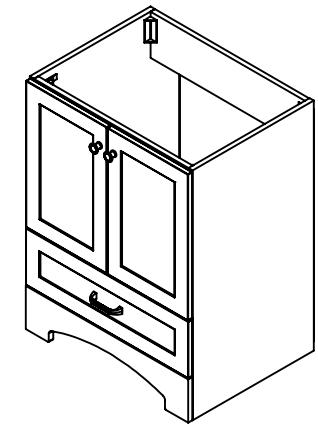
1

6	5
CABINET ID	DESCRIPTION
W050324P2	24in W0503 2Pc

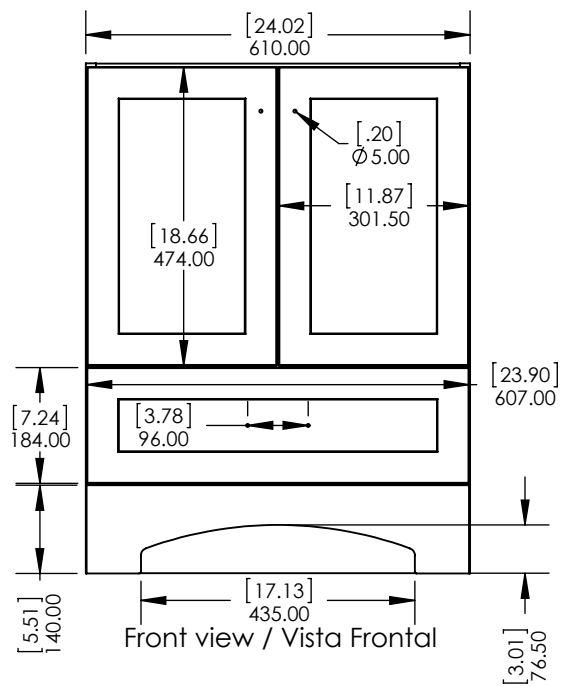
3	2	1			
REV	ECO#	DESCRIPTION	REV'D BY DATE	CHK'D BY DATE	APRV'D BY DATE
0					



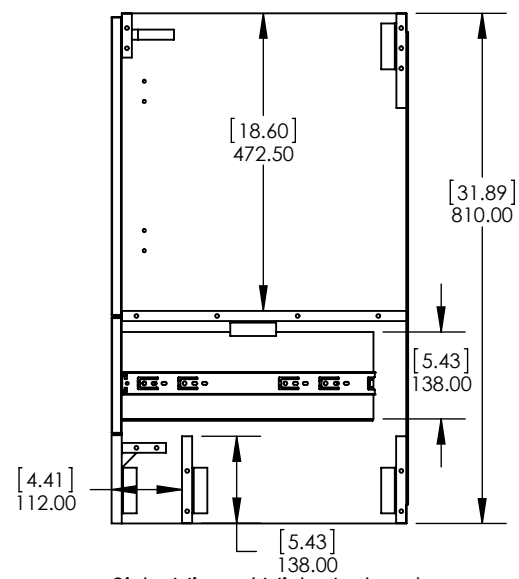
Top View / Vista Superior



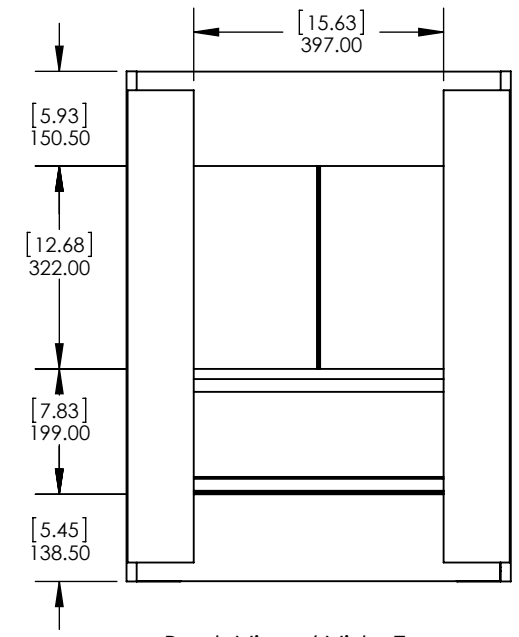
Isometric View / Vista Isometrica



Front view / Vista Frontal



Side View / Vista Lateral

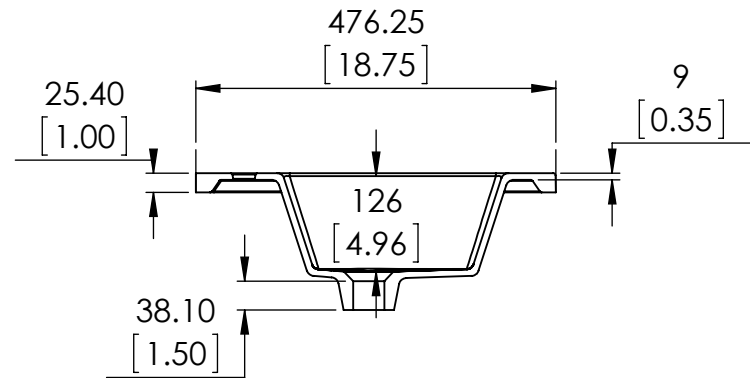
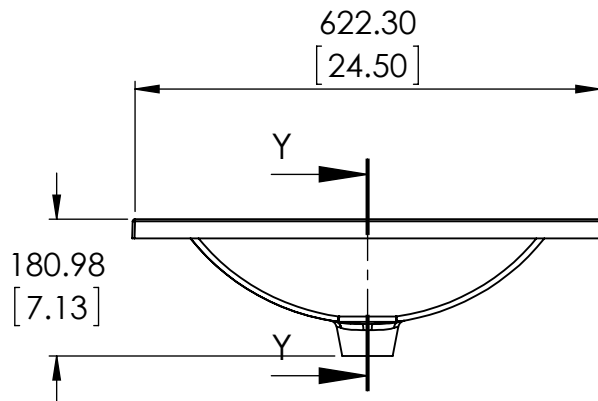
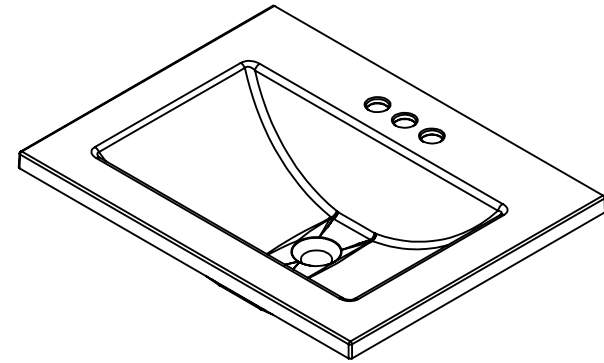
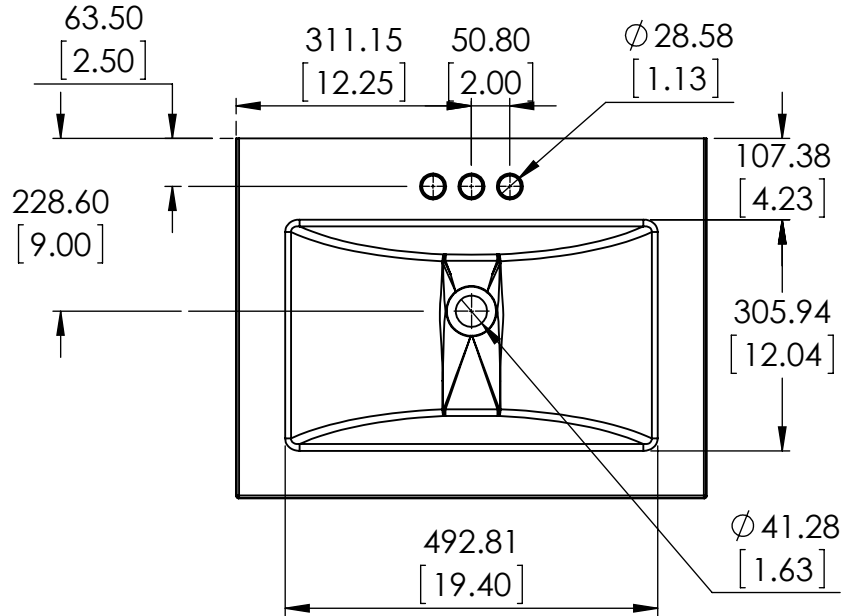


Back View / Vista Trasera

PROPRIETARY AND CONFIDENTIAL THE INFORMATION CONTAINED IN THIS DRAWING IS THE SOLE PROPERTY OF WOODCRAFTERS HOME PRODUCTS L.L.C. ANY REPRODUCTION IN PART OR AS A WHOLE, WITHOUT THE WRITTEN PERMISSION OF WOODCRAFTERS HOME PRODUCTS L.L.C. IS PROHIBITED.		Tolerancia no especificada	Drawn By / Dibujado por:	Cabinet Name/Nombre de Gabinete: W050324P2	FG ID:
Lineal ±1.00mm	Angular ±0.5°	Approved By / Revisado Por:	# of Drawing/ de Dibujo:	PAGE 2 OF 2	REV: 0

ITEM TYPE	ITEM ID	ITEM DESCRIPTION	DRAWING STATUS
FG	595778	Top, Alpine 24.50x18.75 4in	R&D

REV	DESCRIPTION	DATE	APPROVAL
0	RELEASED	05/09/23	E. SANDOVAL



PROPRIETARY AND CONFIDENTIAL
 THE INFORMATION CONTAINED IN THIS DRAWING IS THE SOLE PROPERTY OF WOODCRAFTERS. ANY REPRODUCTION IN PART OR AS A WHOLE WITHOUT THE WRITTEN PERMISSION OF WOODCRAFTERS IS PROHIBITED.

UNLESS OTHERWISE SPECIFIED
 DIMENSIONS ARE IN MM. AND [INCHES]
 TOLERANCES ARE
 + 3.175 [0.125] - 3.175 [0.125]
 SCALE: 1:10

	NAME	DATE
DRAWN	G. REYES	4/11/23
CHECKED	O. RAZO	4/11/23
ENG APPR.	J. GUZMAN	4/11/23
MFG APPR.	V. SANCHEZ	4/11/23

MASTER BRAND
 SIZE DWG. NO. **A** SHEET 1 OF 1
 FG