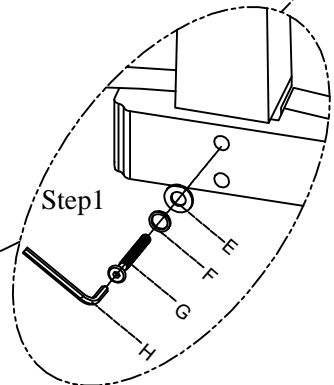
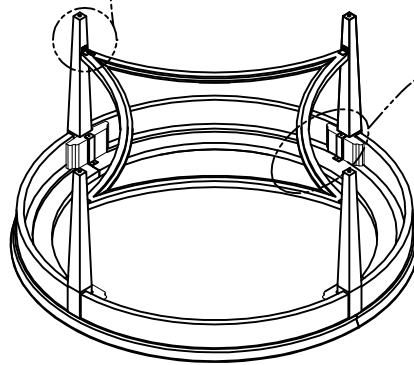
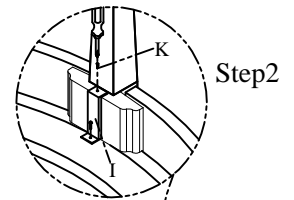
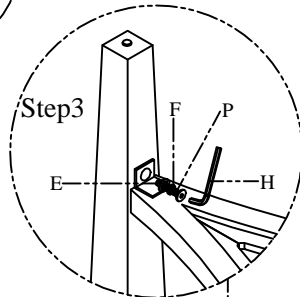
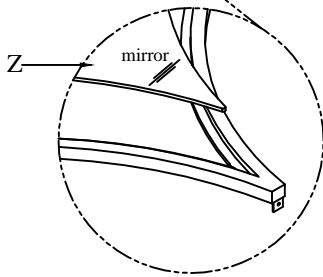
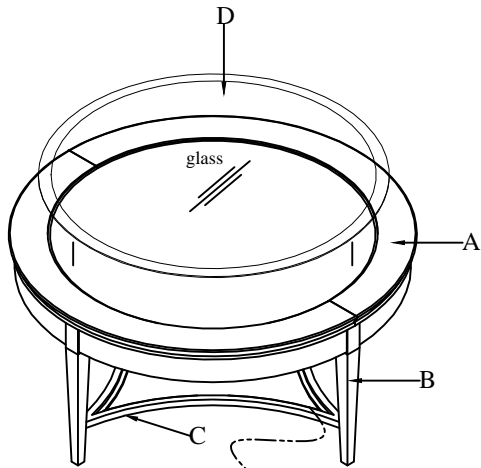


ASSEMBLY INSTRUCTION

77-024 ROUND COCKTAIL TABLE

IMPORTANT NOTES :

- . Place all wooden parts on a clean and smooth surface such as a rug or carpet to prevent the parts from being scratched.
- . Check to be sure that you have all parts and hardware.
- . Remove all wrapping materials, including staples and packing straps before you start to assemble.
- . Do not tighten all screws and bolts until completely assembled.
- . Keep all hardware out of the reach of children.



	Dimension	Shape	Quantity
E	flat washer #5/16"19		12pcs
F	look washer Ø5/16"		12pcs
G	bolt 5/16*38mm		8pcs
P	bolt 5/16*19mm		4pcs
H	allen key 4mm		1pcs
K	Screw #3*12mm		8pcs
I	metal bracket		4pcs

MADE IN VIETNAM