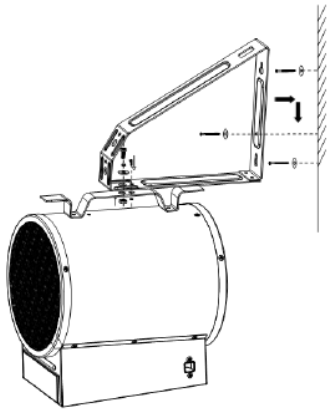


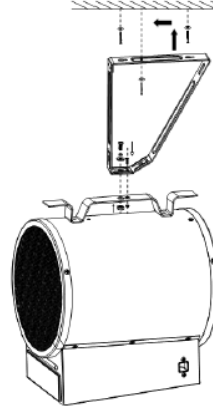
ASSEMBLY / INSTALLATION INSTRUCTIONS



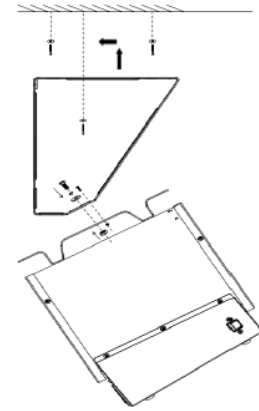
WARNING: USE THIS HEATER ONLY AS DESCRIBED IN THIS MANUAL. ANY OTHER USE NOT RECOMMENDED BY THE MANUFACTURER IS STRICTLY PROHIBITED AND MAY CAUSE FIRE, ELECTRIC SHOCK, OR INJURY TO PERSONS



WALL MOUNT APPLICATION



CEILING MOUNT APPLICATION



Tools needed:

- Power drill
- 4mm or 5/32in drill bit
- Phillips head screwdriver
- Stud Finder

Remove Heater and all packing material from the box

- **BESURE TO REMOVE THE HARDWARE PACKAGE FROM THE STYROFOAM PACKAGING**

Attaching Heater to Wall/Ceiling

1. Line up both holes on bracket with both holes on the heater handle.
2. Attach heater to bracket with 20mm screw and nut, 10mm washer and locking washer.
3. Locate wood stud in wall or joist in ceiling to mount heater.
4. Use holes in bracket to mark 2 holes for drilling.
5. Pre-Drill 2 holes for screws
6. Secure two 65mm screws to wall / ceiling joist leaving 1/8" exposed. Two (2) screws must be attached securely to a wood stud (min 1.5")
7. Attach bracket to exposed screw head by sliding through keyholes on bracket and pushing down to lock the bracket into place.
8. Tighten screws against bracket to secure.



WARNING: HEATER MUST BE ATTACHED TO A JOIST WITH MINIMUM OF (2) SCREWS IN OPPOSING HOLES.



WARNING: USE APPROPRIATE FASTENERS. THE SCREWS INCLUDED ARE FOR INSTALLING IN WOOD STUDS ONLY AND ARE NOT INTENDED FOR METAL JOISTS.



WARNING: BE CERTAIN ADJUSTMENT SCREWS ARE TIGHTENED FIRMLY TO SECURE HEATER TO BRACKET