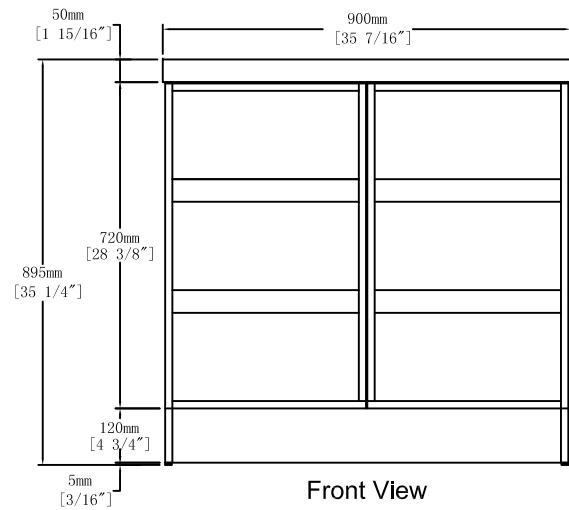
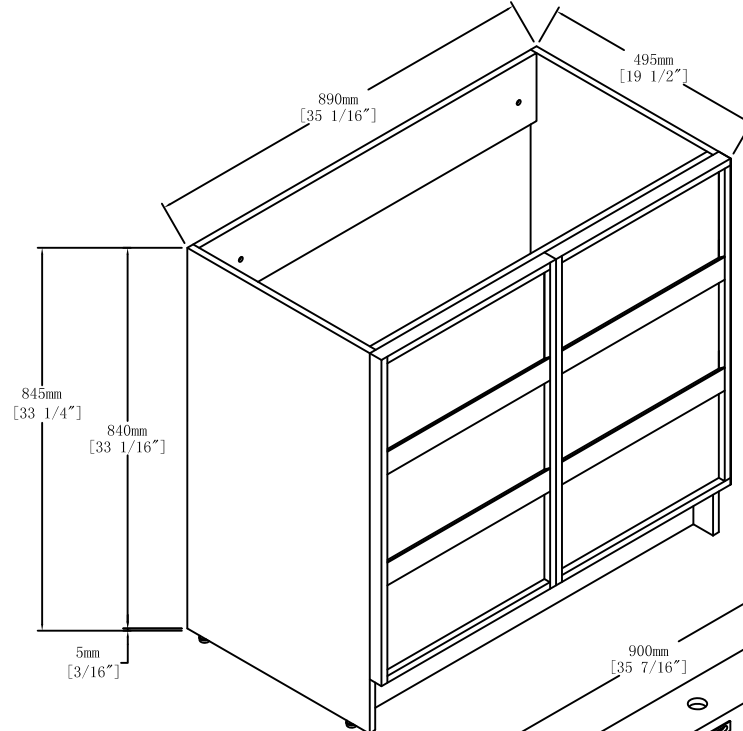
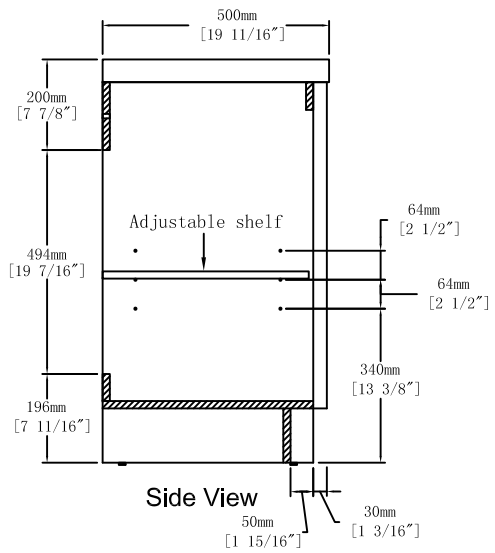


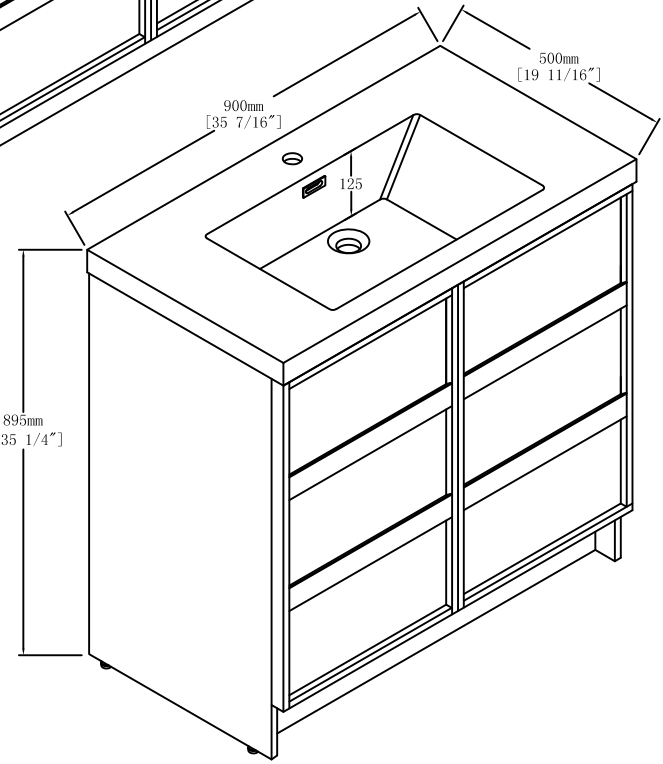
Top View




Front View



Side View



	Item NO.	BV B12836	Version	V1
	Project		Date	2025-7-2