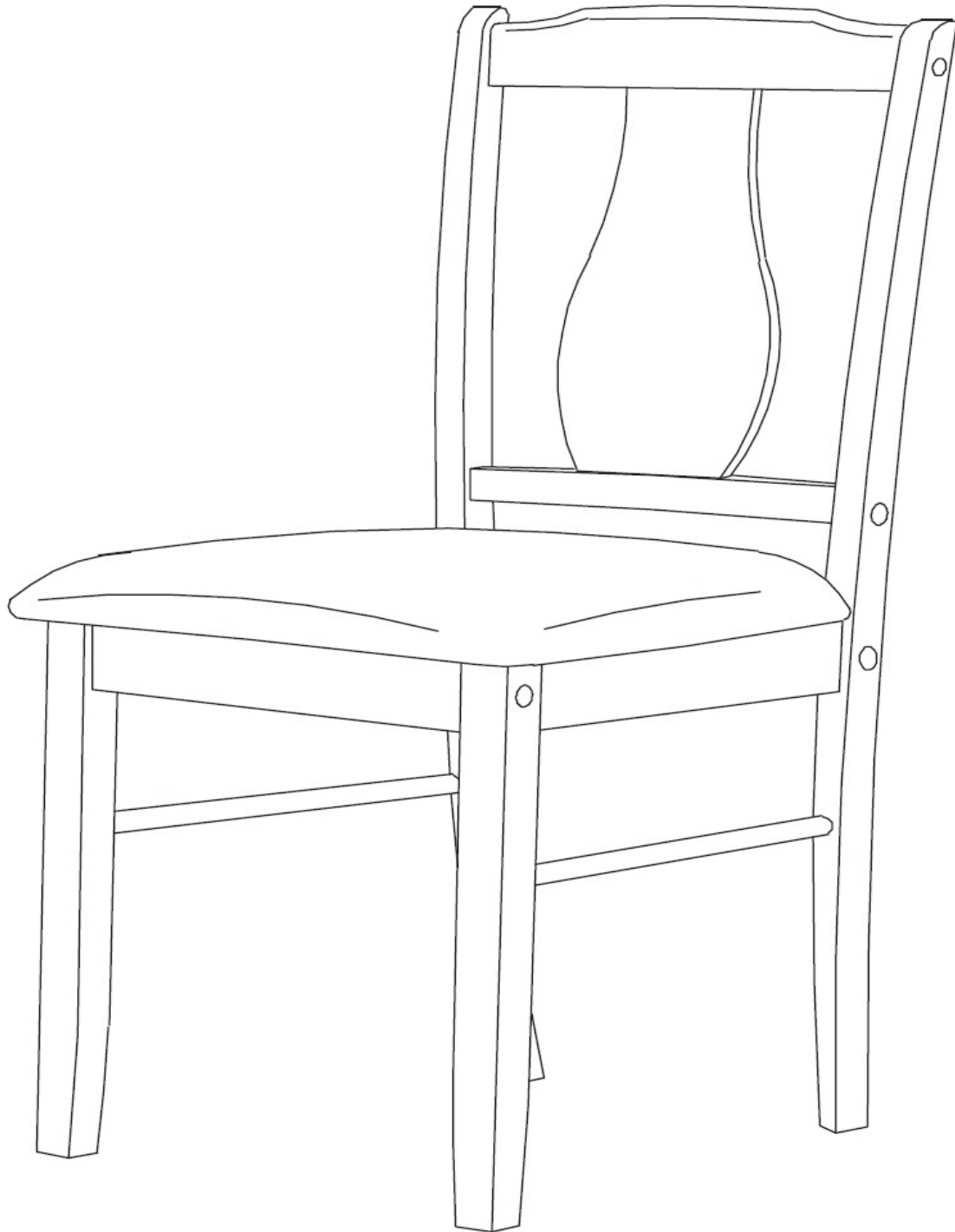


ASSEMBLY INSTRUCTIONS  
ITEM NO : WF309146  
DESCRIPTION : KAYLEE DINING SET

Thank you for purchasing this quality product. Be sure to check all packing material carefully for small part that may have come loose inside carton during shipment.



**WF309146**

# ASSEMBLY INSTRUCTIONS

## ITEM NO : WF309146

### DESCRIPTION : KAYLEE DINING SET

Thank you for purchasing this quality product. Be sure to check all packing material carefully for small part that may have come loose inside carton during shipment.

#### PARTS LIST (FOR 4 CHAIRS)

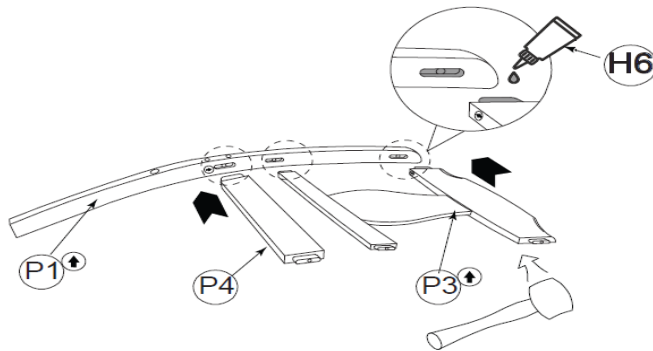
NO.	COMPONENT	QTY.
P1	BACK LEG RIGHT WITH STICKER	4
P2	BACK LEG LEFT	4
P3	BACK SPLAT FRAME WITH STICKER	4
P4	BACK RAIL (short)	4
P5	FRONT RAIL (long)	4
P6	SIDE RAIL	8
P7	FRONT LEG RIGHT WITH STICKER	4
P8	FRONT LEG LEFT	4
P9	SIDE STRETCHER	8
P10	CUSHION SEAT	4

#### HARDWARE LIST (FOR 4 CHAIRS)

NO.	DESCRIPTION	QTY.
H1	M7X50 JCBC WOOD SCREW	32
H2	M6 X 50 JCBC SCREW	32
H3	SPRING WASHER	32
H4	SCREW M4 X 32	32
H5	ALLEN KEY (SHARE WITH TABLE)	1
H6	TUBE OF GLUE	4

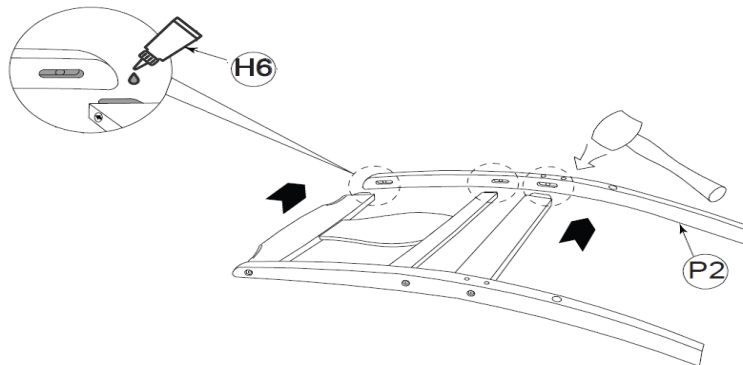
**Note: Always apply Glue (H6) evenly to the surfaces of each connecting parts, before fitting the parts together**

#### STEP 1



Attach Back Splat Frame (P3) and Back Rail (P4) to Back Leg Right (P1). Make sure to match the parts with stickers. Use a mallet to gently tap in the parts as needed to join the parts completely.

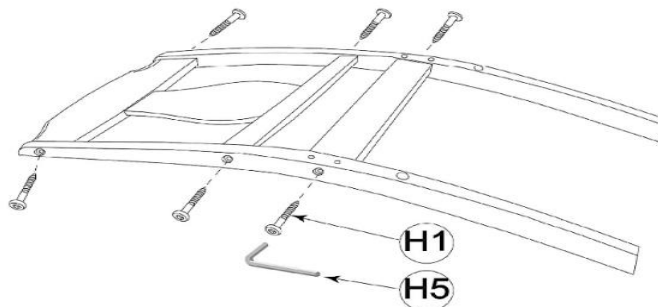
#### STEP 2



Attach Back Leg Left (P2) to Back Splat Frame and Back Rail (P4). Use a mallet to gently tap in the parts as needed to join the parts completely.

#### STEP 3

**H1 x 6**  M7 x 50mm

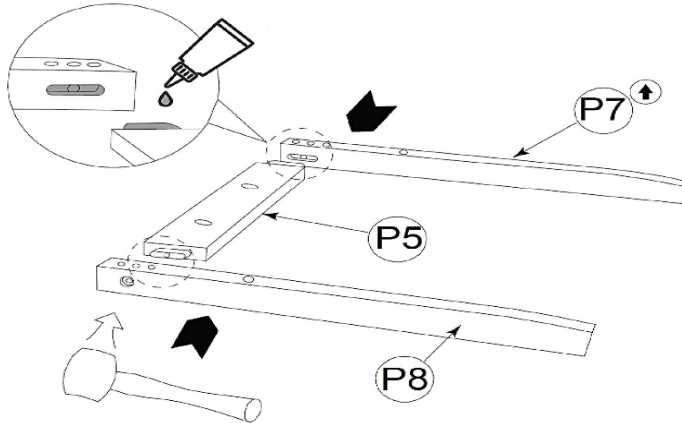



Fasten the Back Legs to Back Splat Frame and Back Rail with Screws (H1). Use Allen Key (H5) to drive and tighten (H1) completely when all of the screws are in place. Set this Back Leg and Back Frame assembly aside for STEP 7.

ASSEMBLY INSTRUCTIONS  
ITEM NO : WF309146  
DESCRIPTION : KAYLEE DINING SET


Thank you for purchasing this quality product. Be sure to check all packing material carefully for small part that may have come loose inside carton during shipment.

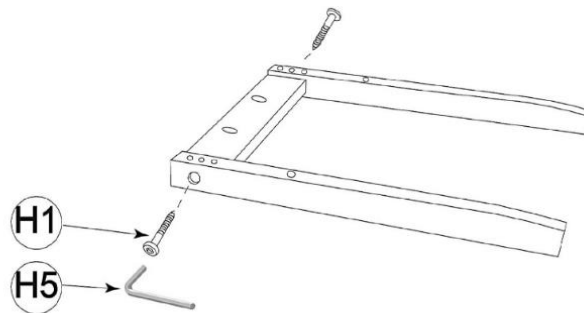
STEP 4



Attach Front Leg Right (P7) with sticker  and Front Leg Left (P8) to Front Rail (P5). Use a mallet to gently tap in the parts as needed to join the parts completely.



STEP 5

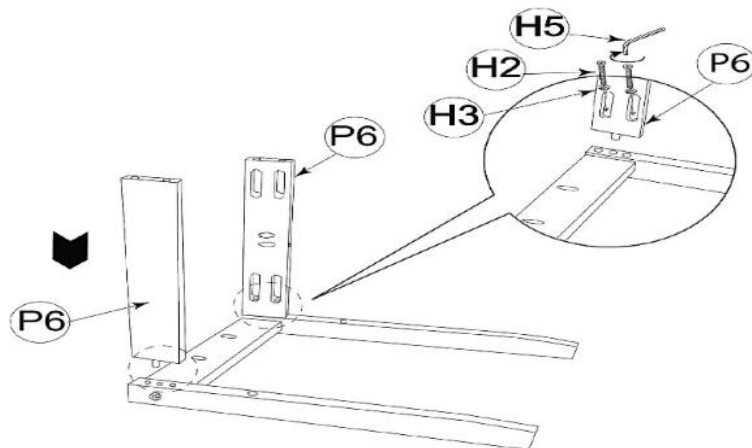
**H1 x 2**   
M7 x 50mm



Fasten the Front Legs to Front Rail with Screws (H1). Use Allen Key (H5) to drive and tighten (H1) completely when all the screws are in place .

STEP 6

**H2 x 4**   
M6 x 50mm  
**H3 x 4** 

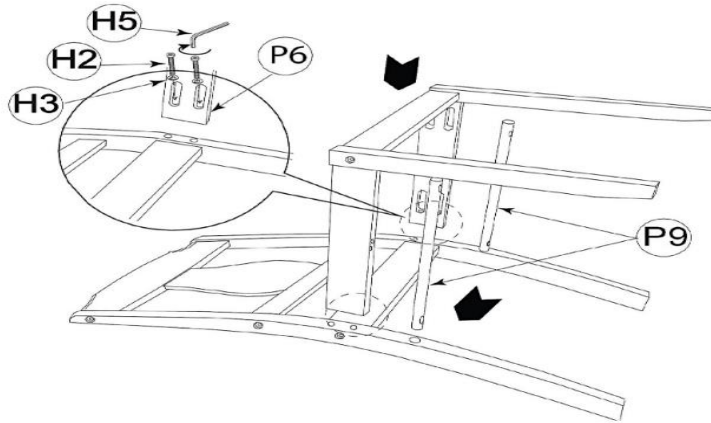
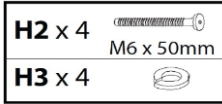


Attach Side Rail (P6) to the Front Leg via wood dowels on (P6). Fasten Side Rail (P6) to the Front Leg with Screws (H2) fitted with Spring Washer (H3). Use Allen Key (H5) to drive (H2). Do not tighten (H2) completely at this time .

**ASSEMBLY INSTRUCTIONS**  
**ITEM NO : WF309146**  
**DESCRIPTION : KAYLEE DINING SET**

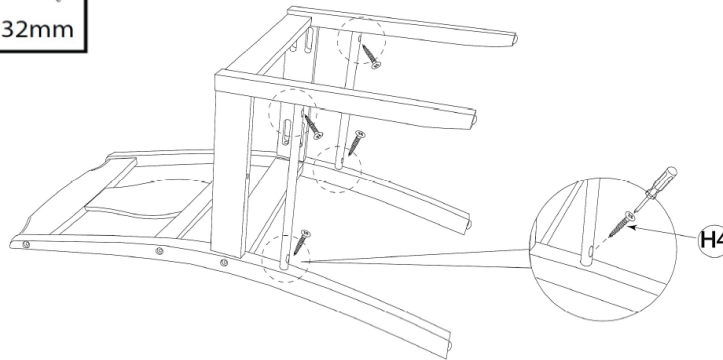
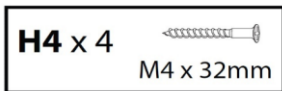
Thank you for purchasing this quality product. Be sure to check all packing material carefully for small part that may have come loose inside carton during shipment.

**STEP 7**



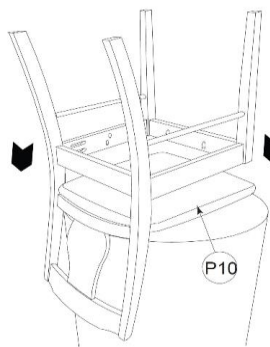
- a) Attach Side Stretcher (P9) to the lower designated holes on Back Leg/Back Frame assembly from STEP 3 as shown.
- b) Attach the Side Rail of the Front Leg/Side rail assembly from STEP 6 to the designated holes beside the Back Rail of the Back Leg/Back Frame and the Front Leg to (P9), at the same time.
- c) Fasten Side Rail to the Back Leg/Back Frame assembly with Screws (H2) fitted with Spring Washer (H3). Use Allen Key (H5) to drive and tighten (H2) completely when all of the screws are in place.
- d) Tighten the 4x screws (H2) from STEP 6 completely.  
Do not over - tighten.

**STEP 8**

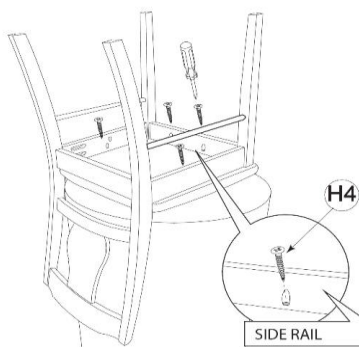


Fasten the Stretcher (P9) to each leg with Screws (H4). Use Phillips Screwdriver to drive and tighten (H4) completely.

**STEP 9A**



**STEP 9B**



Put the seat frame on the underside of the Cushion Seat (P10) properly.

Place the Cushion Seat (P10) bottom-side up on an elevated surface and position the seat frame of the assembly from STEP 8 squarely on (P10) as shown.

- a) Use Screw (H4) to fasten Cushion Seat to Front and Side Rail. Use Phillips screwdriver to drive (H4). Do not tighten (H4) completely until all the screws are in place.
- b) Use mallet to tap in the Leg Stud (H6).

Set the chair right-side up.  
The assembly of the chair is complete.