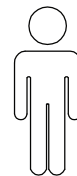
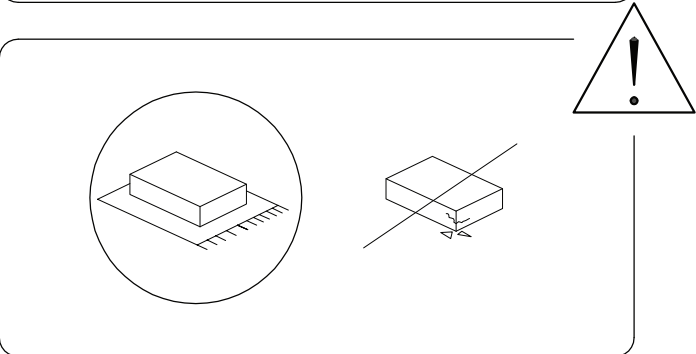
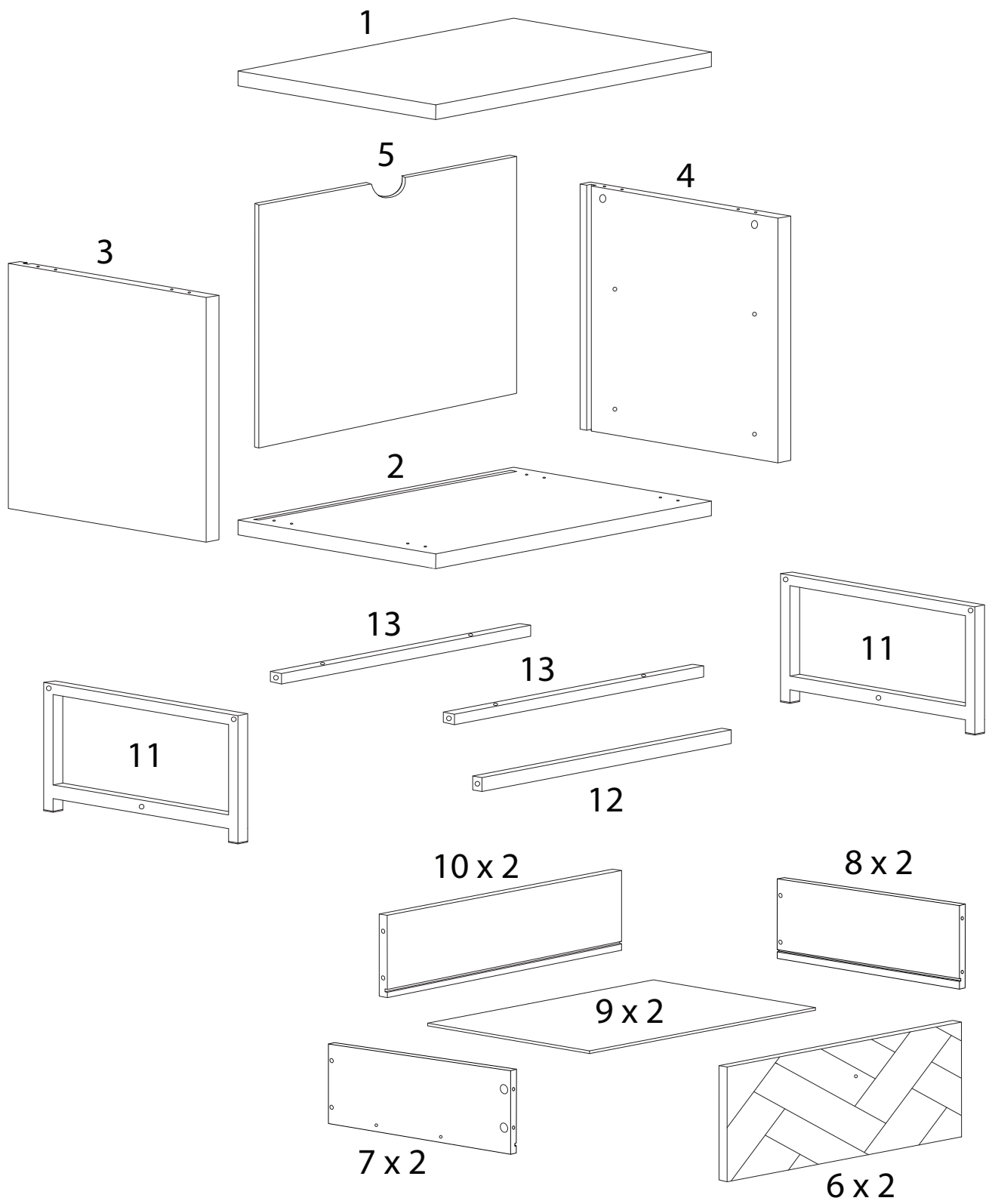

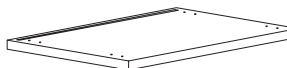
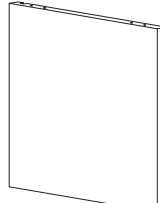
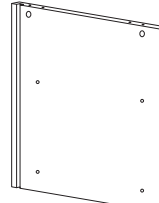


40'

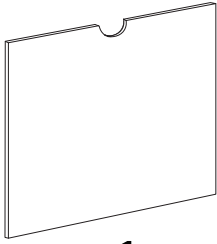


1



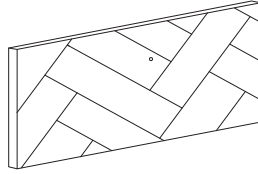
<p style="text-align: center;">1</p>  <p style="text-align: center;">x 1</p>	<p style="text-align: center;">2</p>  <p style="text-align: center;">x 1</p>	<p style="text-align: center;">3</p>  <p style="text-align: center;">x 1</p>	<p style="text-align: center;">4</p>  <p style="text-align: center;">x 1</p>
---	---	--	---

5



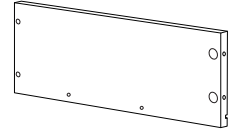
x 1

6



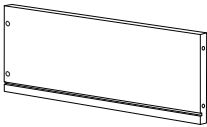
x 2

7



x 2

8



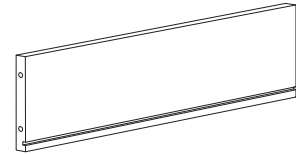
x 2

9



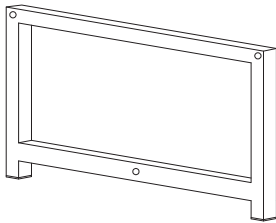
x 2

10



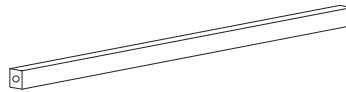
x 2

11



x 2

12



x 1

13



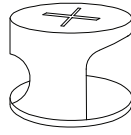
x 2

A



x 12

B



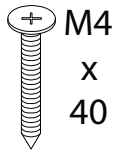
x 12

C



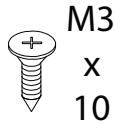
x 8

D



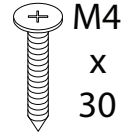
x 4

E



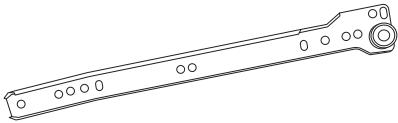
x 16

F



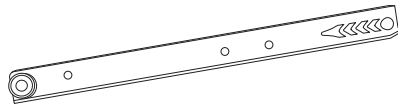
x 8

G



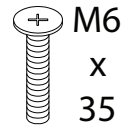
x 4

H



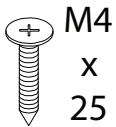
x 4

I



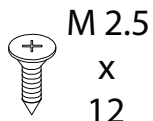
x 6

J



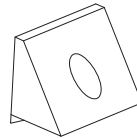
x 4

N



x 4

O



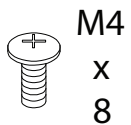
x 4

P1



x 2

P2



x 2

P3



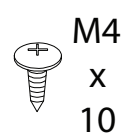
x 2

W



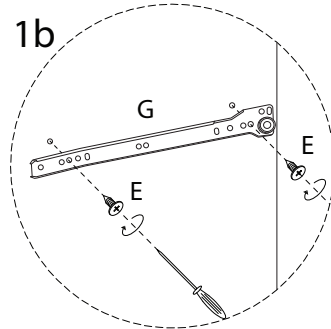
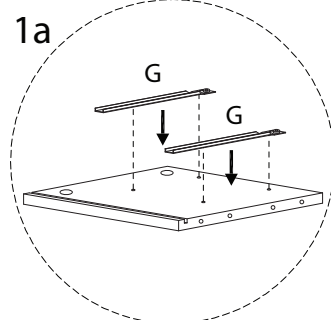
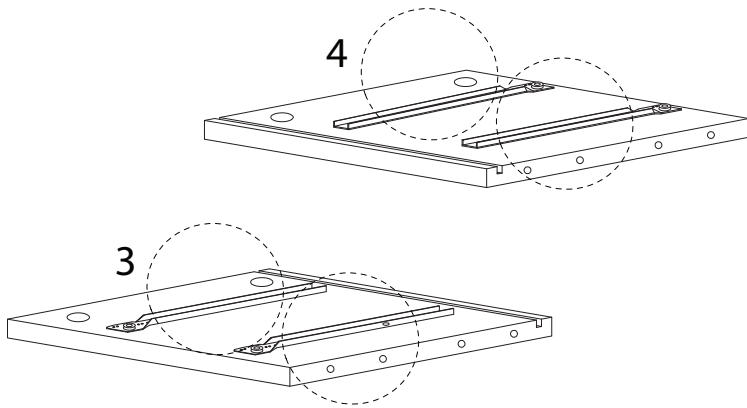
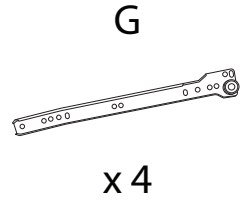
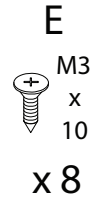
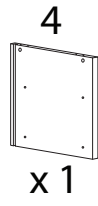
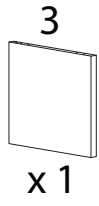
x 1

Y

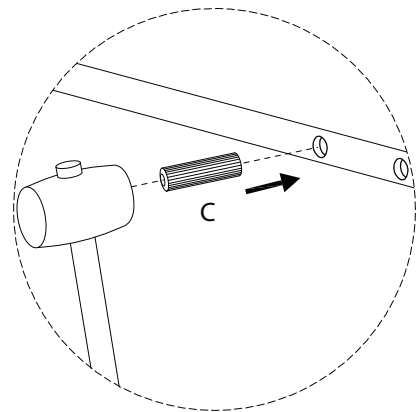
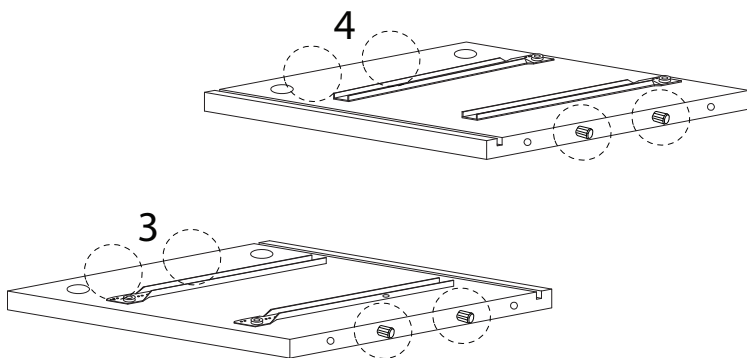
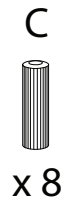


x 1

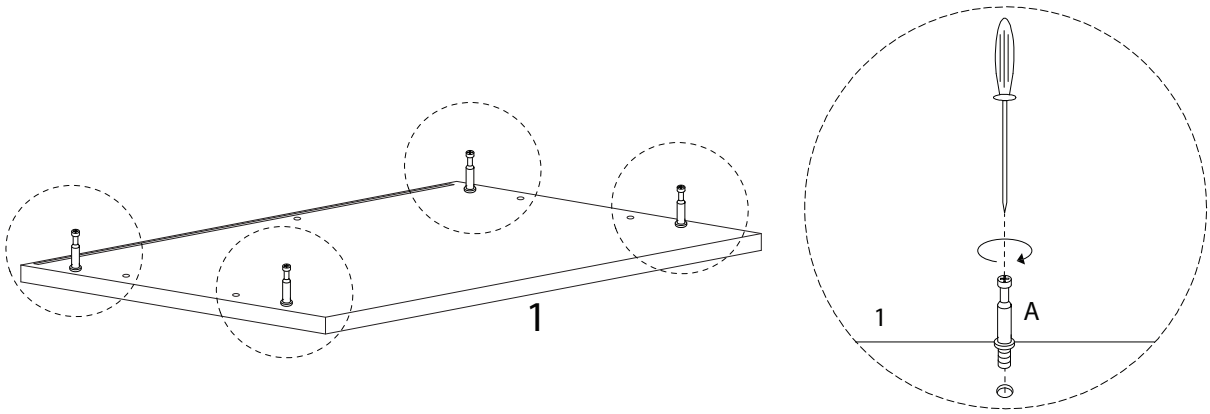
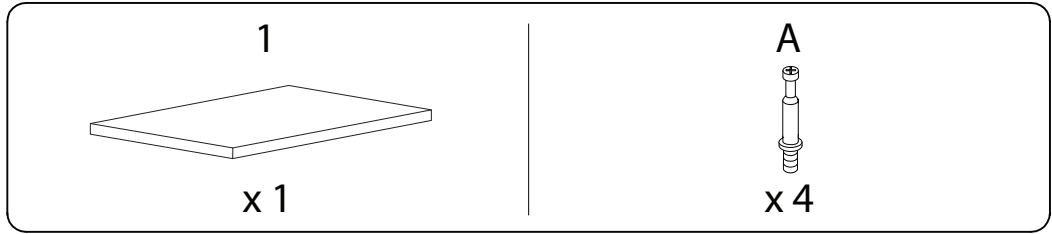
1



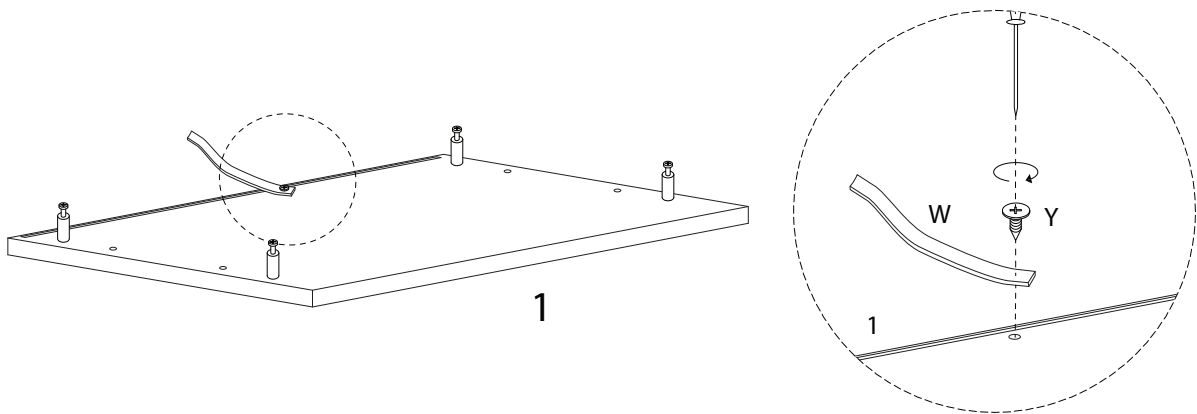
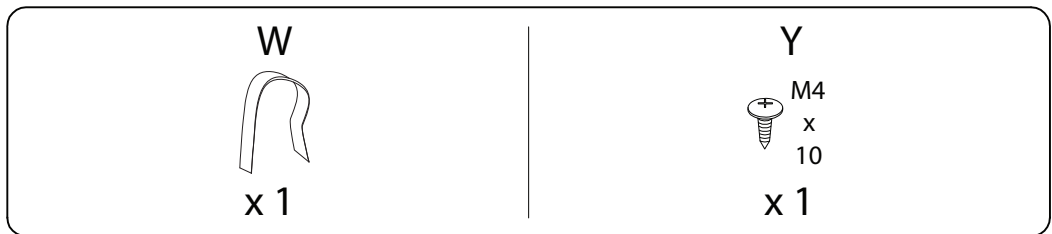
2



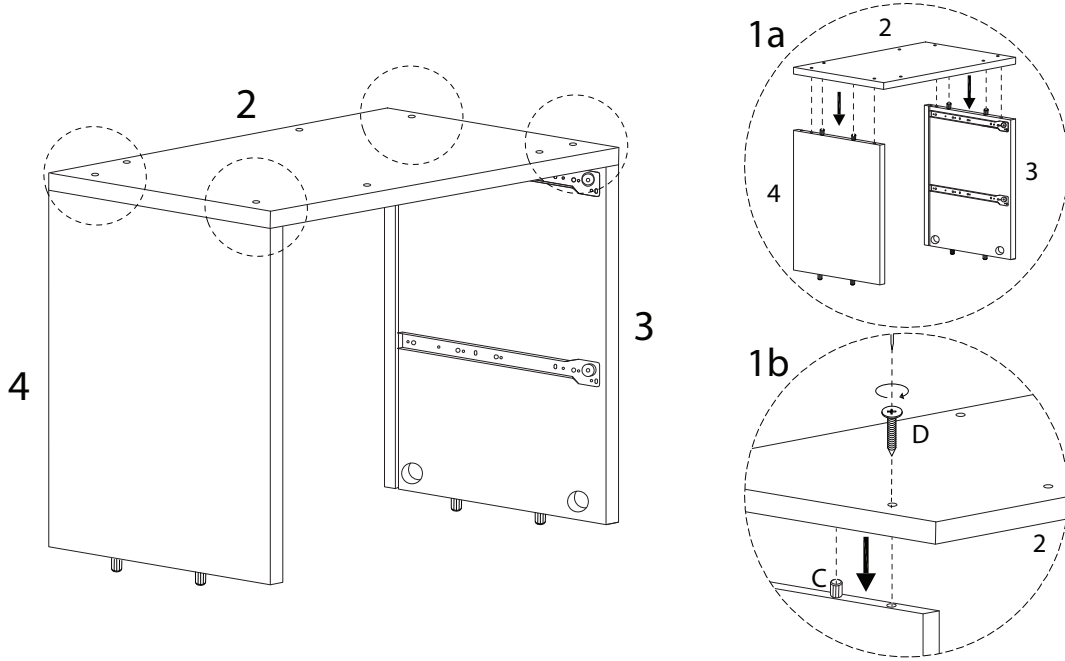
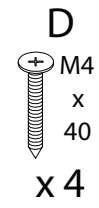
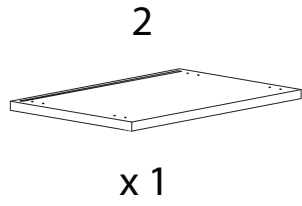
3



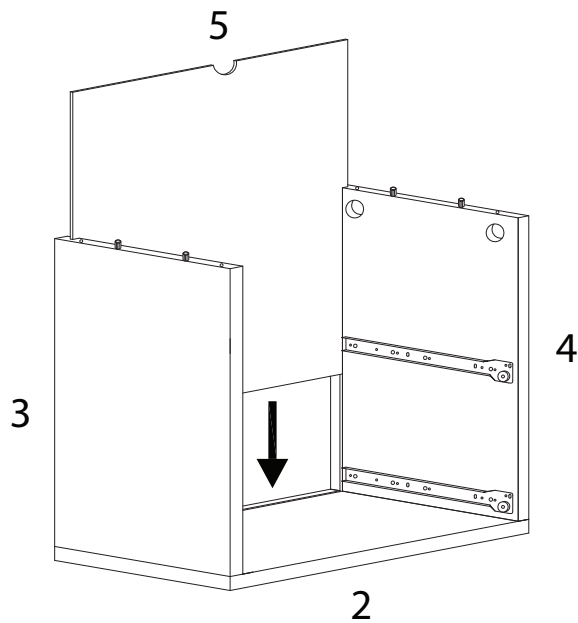
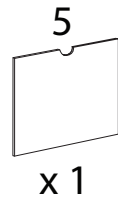
4



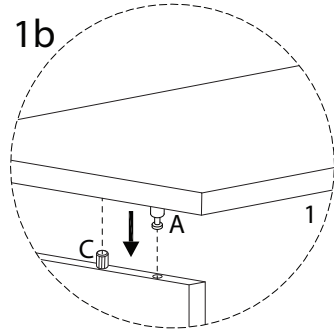
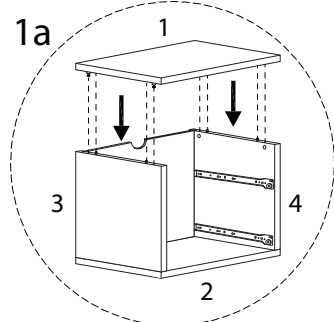
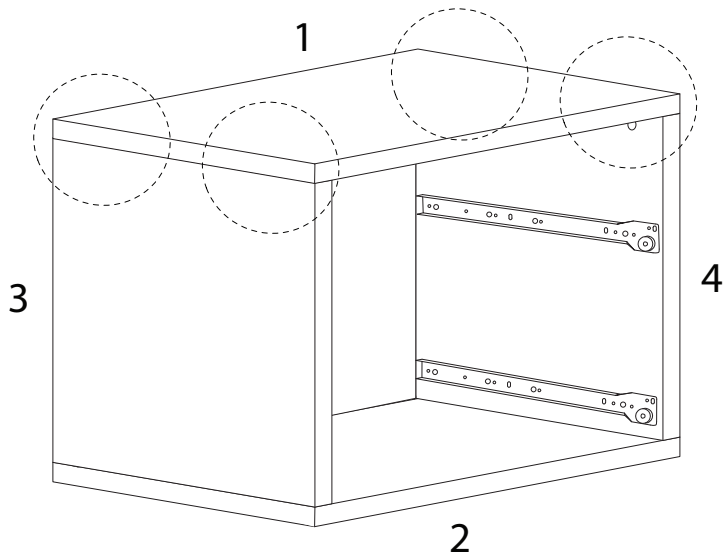
5



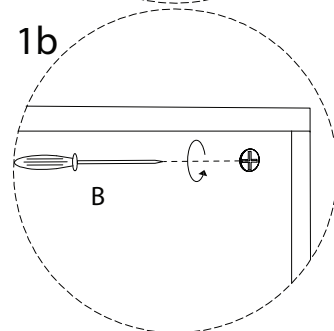
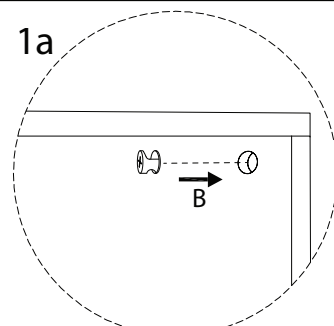
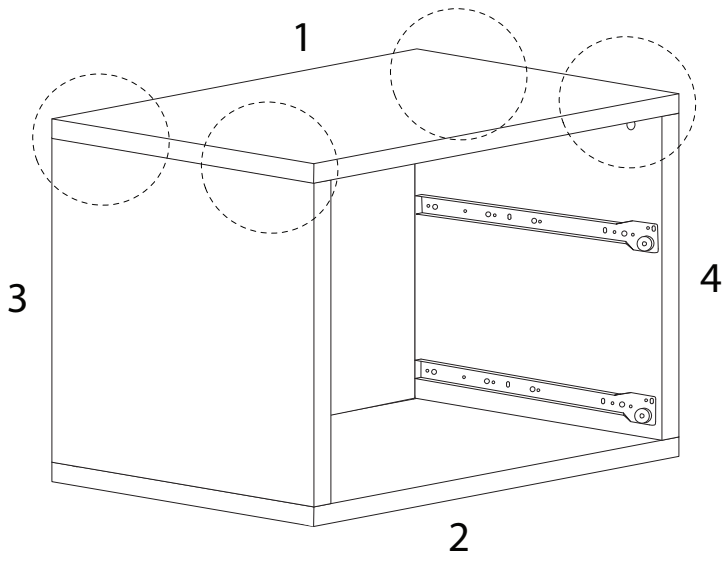
6



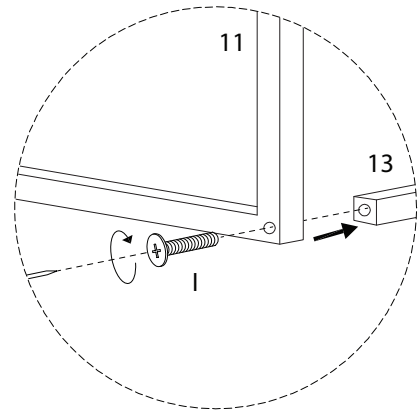
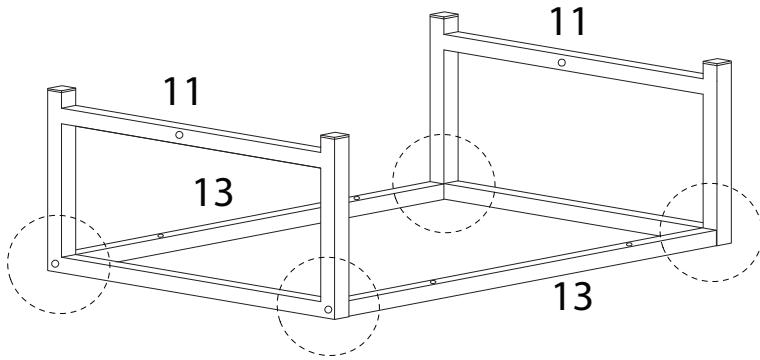
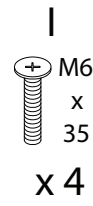
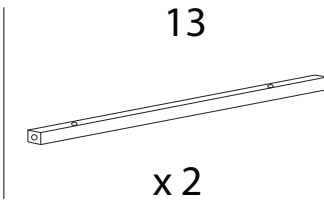
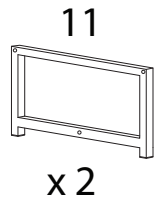
7



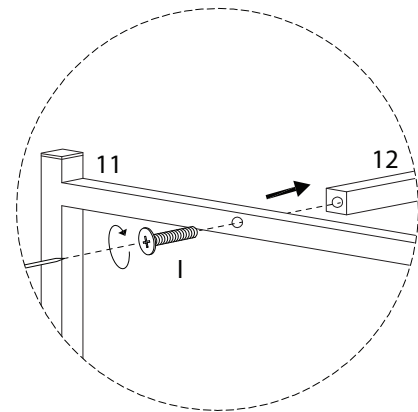
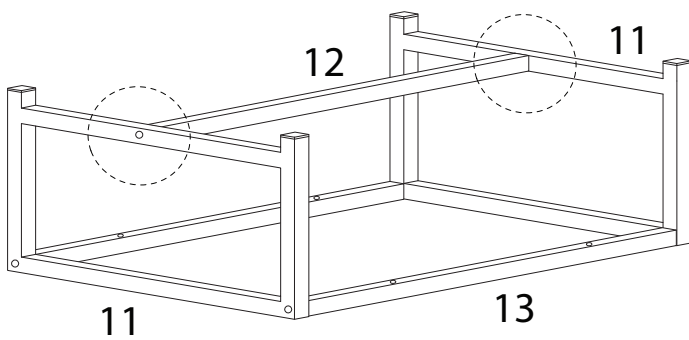
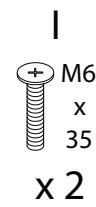
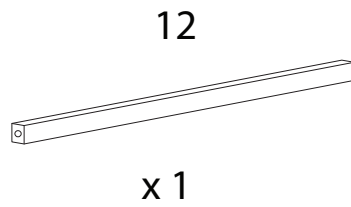
8



9



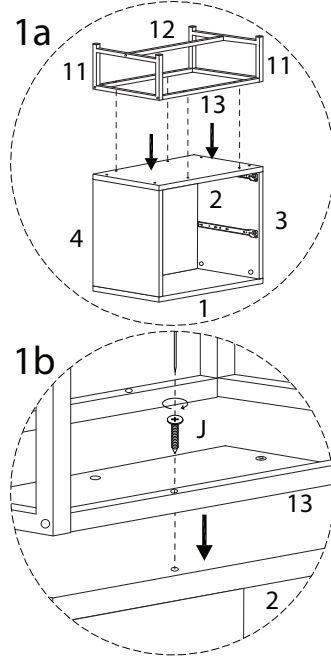
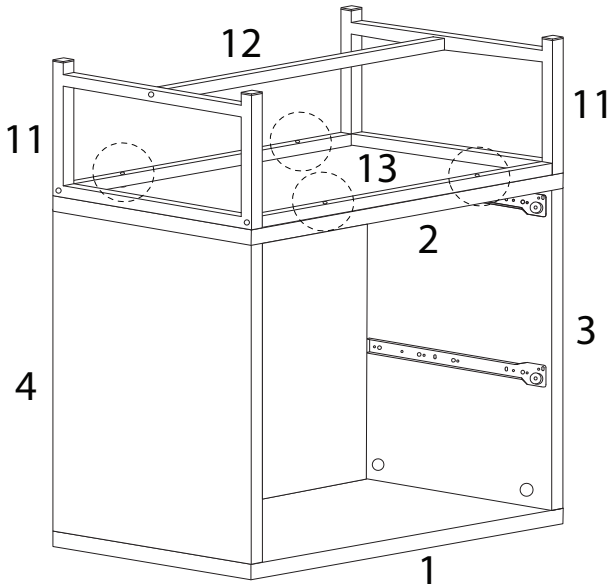
10



11

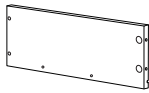
J

M4
x
25
x 4



12 x 2

7



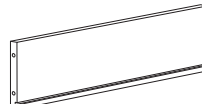
x 1

8



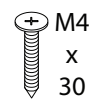
x 1

10

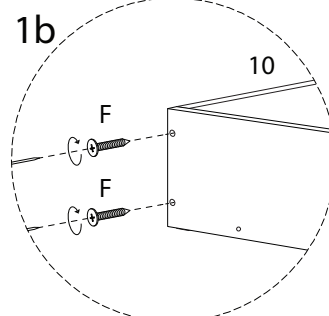
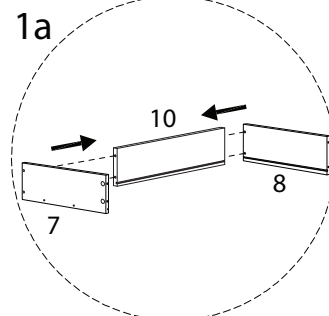
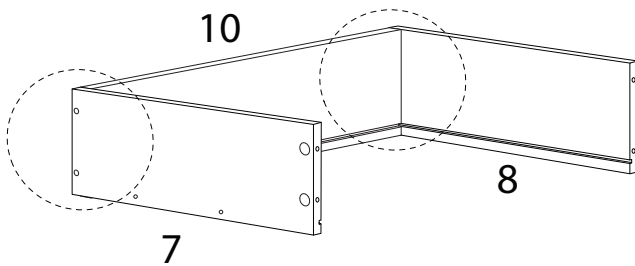


x 1

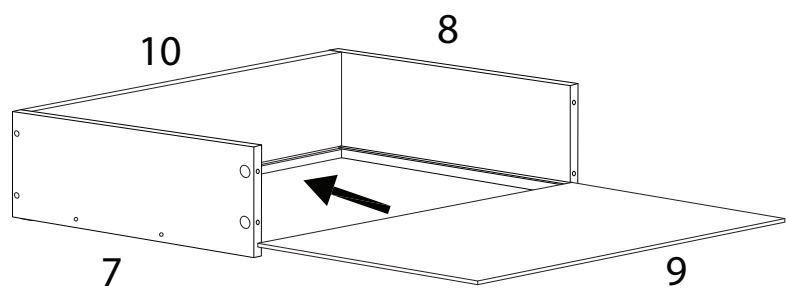
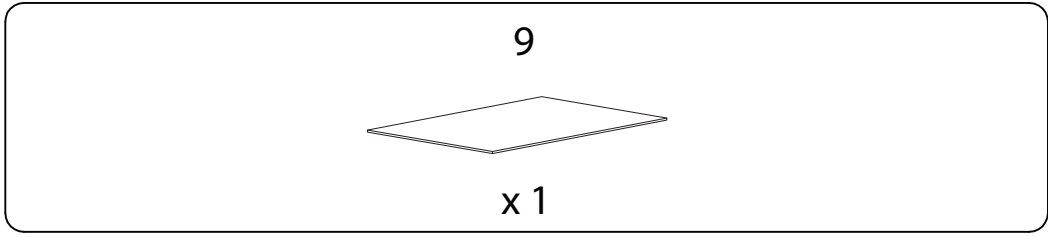
F



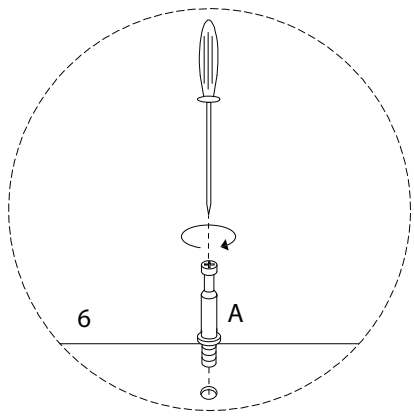
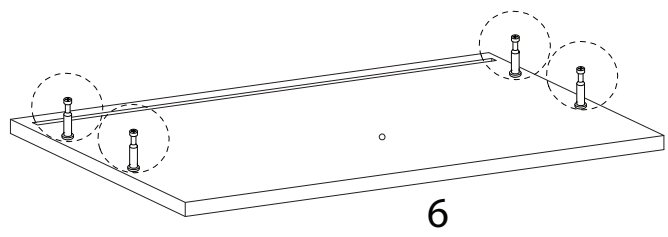
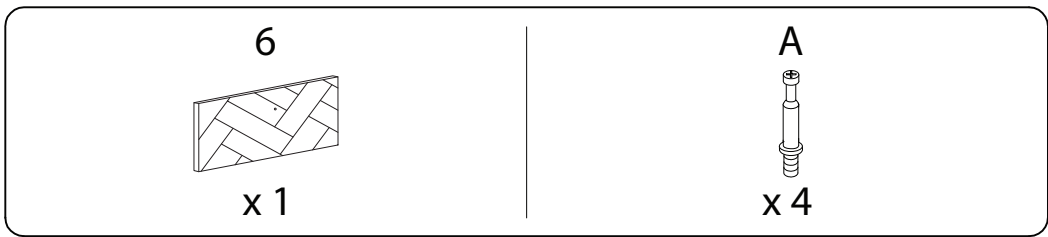
M4
x
30
x 4






13 x 2

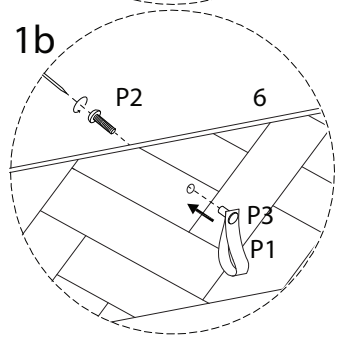
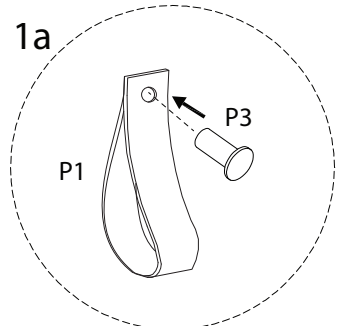
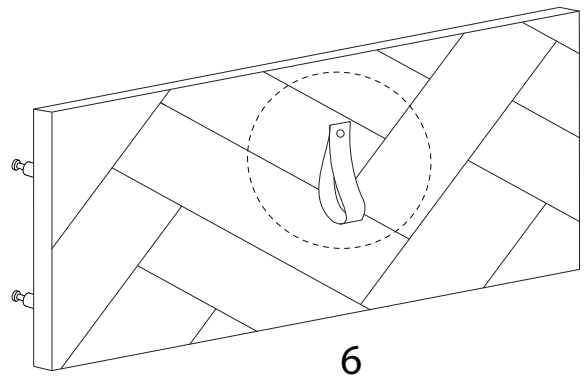


14 x 2

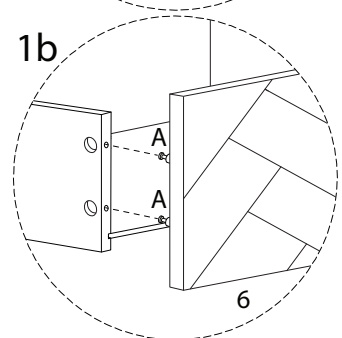
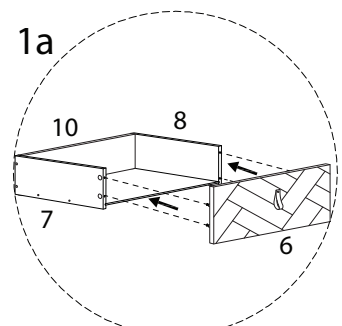
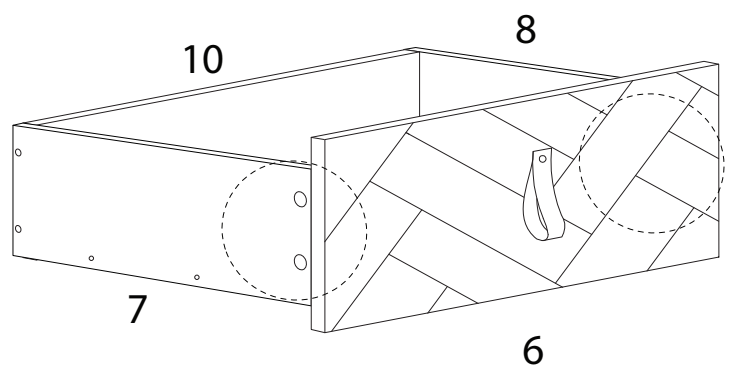


15 x 2

<p>P1</p>  <p>x 1</p>	<p>P2</p>  <p>M4 x 8</p> <p>x 1</p>	<p>P3</p>  <p>x 1</p>
--	--	--

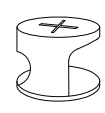


16 x 2

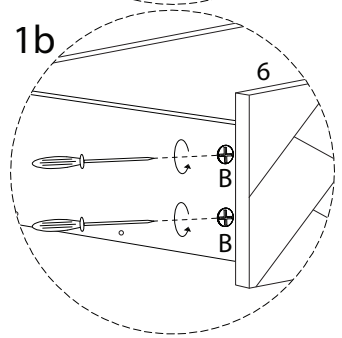
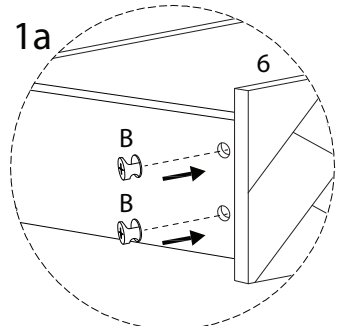
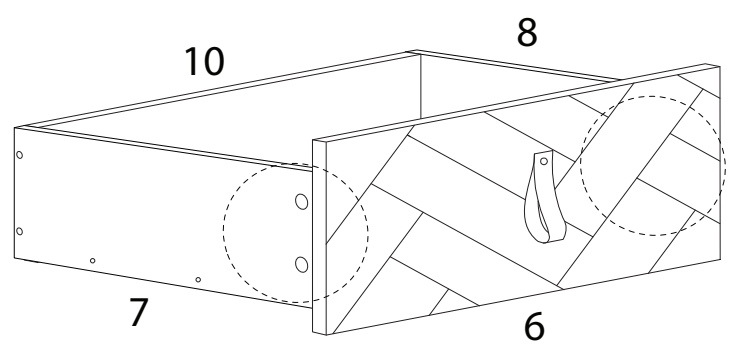


17 x 2

B



x 4



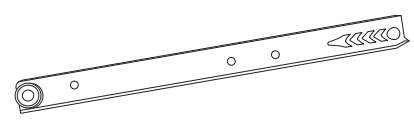
18 x 2

E

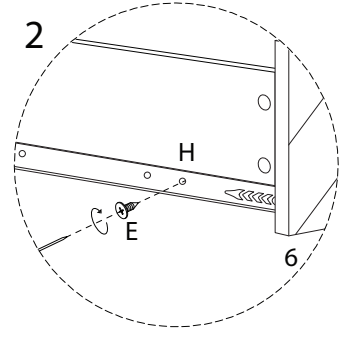
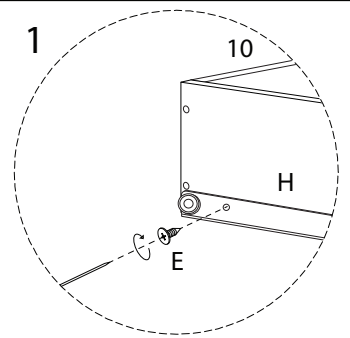
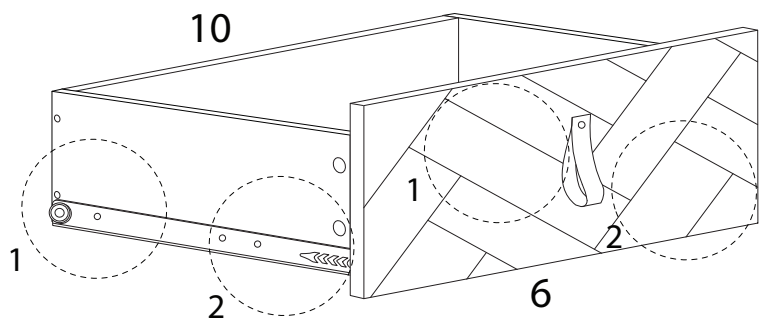


x 4

H



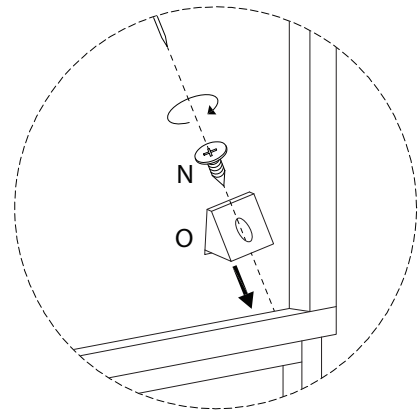
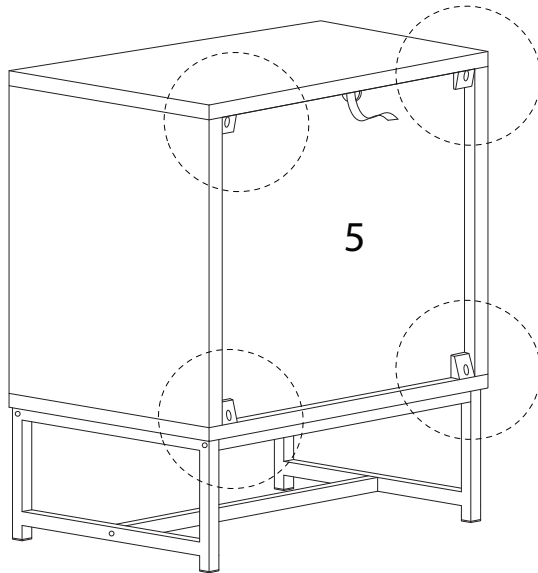
x 2



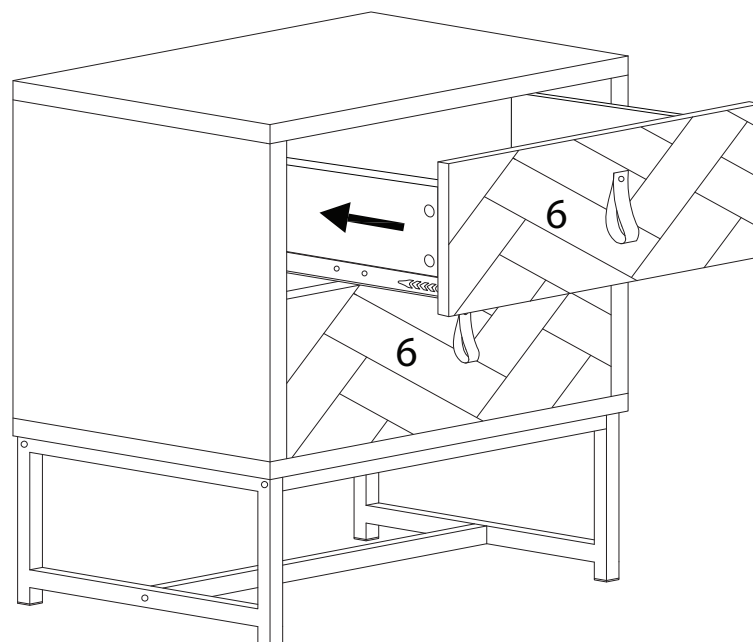
19

N
M2.5
x
12
x4

O
x4



20



!

