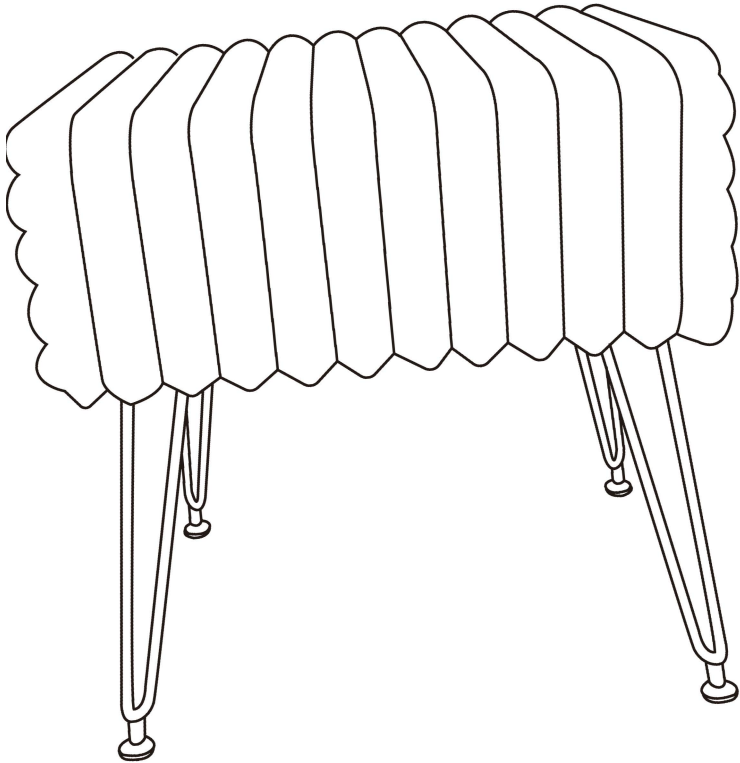
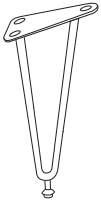


Installation & Assembly





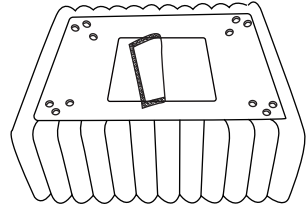
Ax4



Bx12
(M6x25mm)

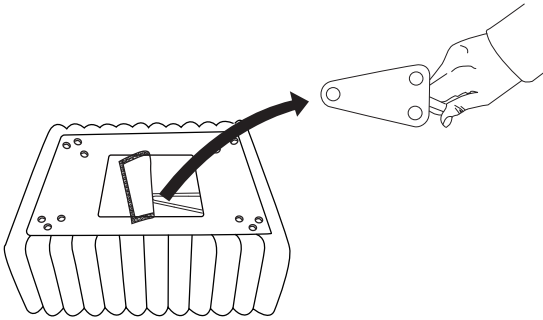


Cx1

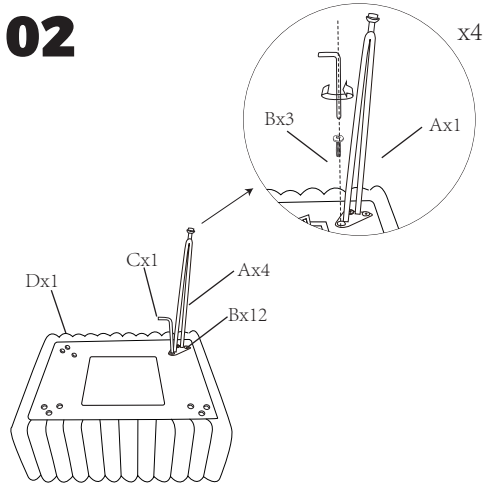


Dx1

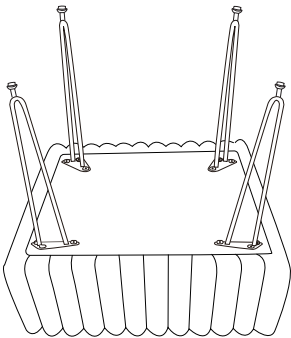
01



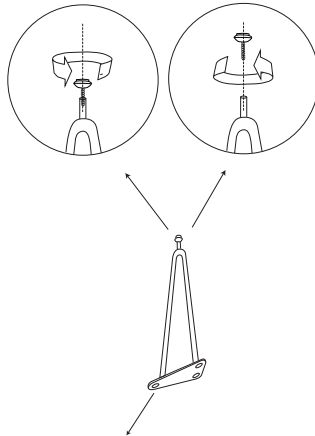
02



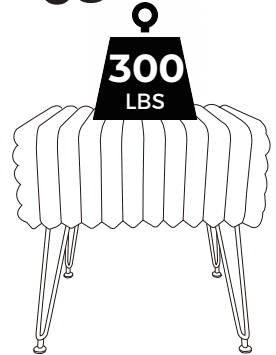
03



04



05



Adjustable Feet
4 adjustable feet allow you to balance the ottoman stool on uneven ground and protect your floor from scratches.

If there are any problems with accessories such as screws, please contact us