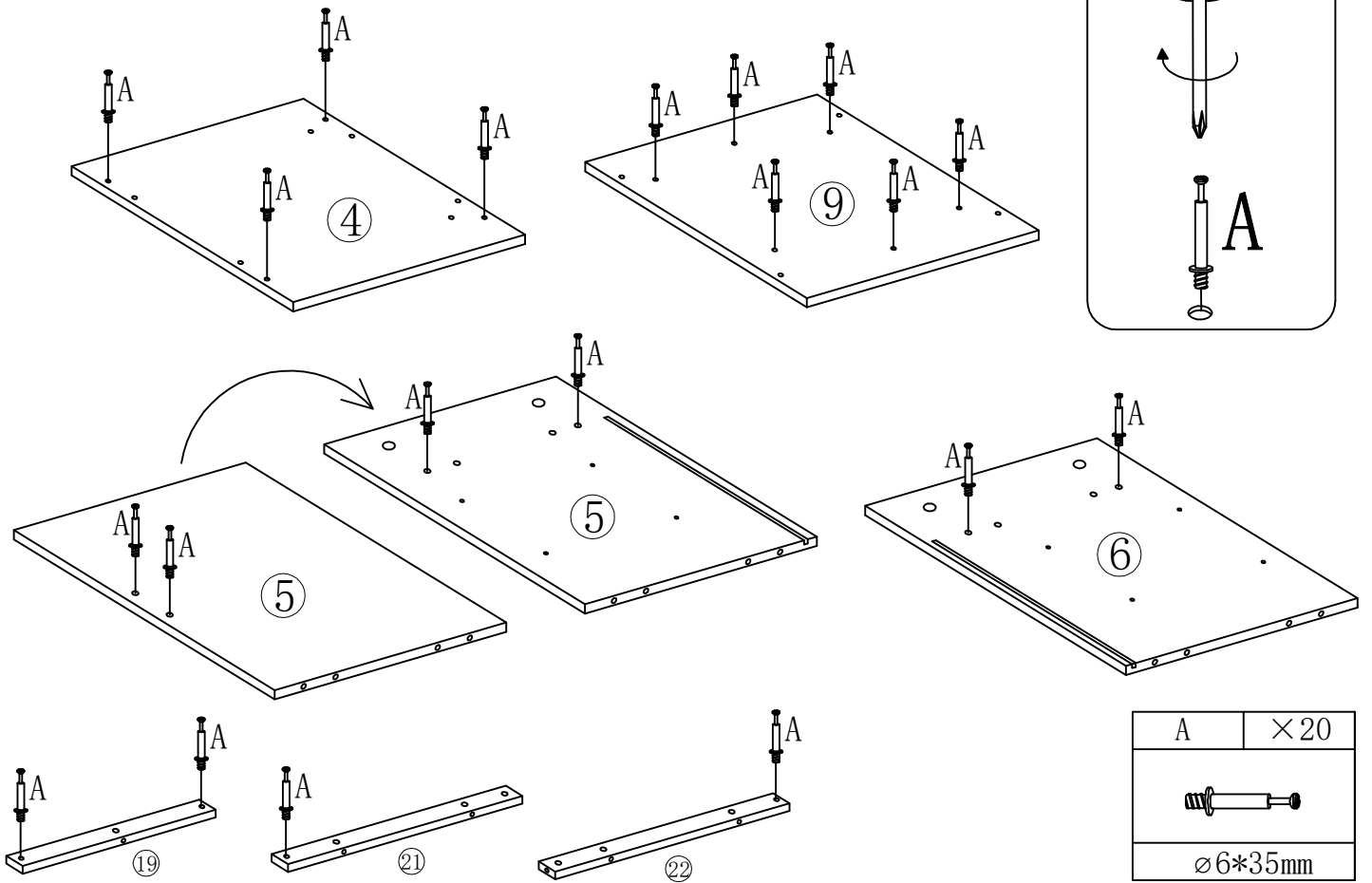
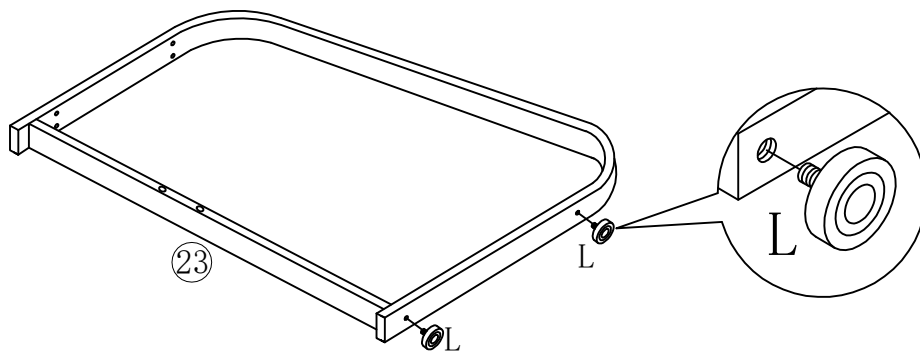



STEP 1

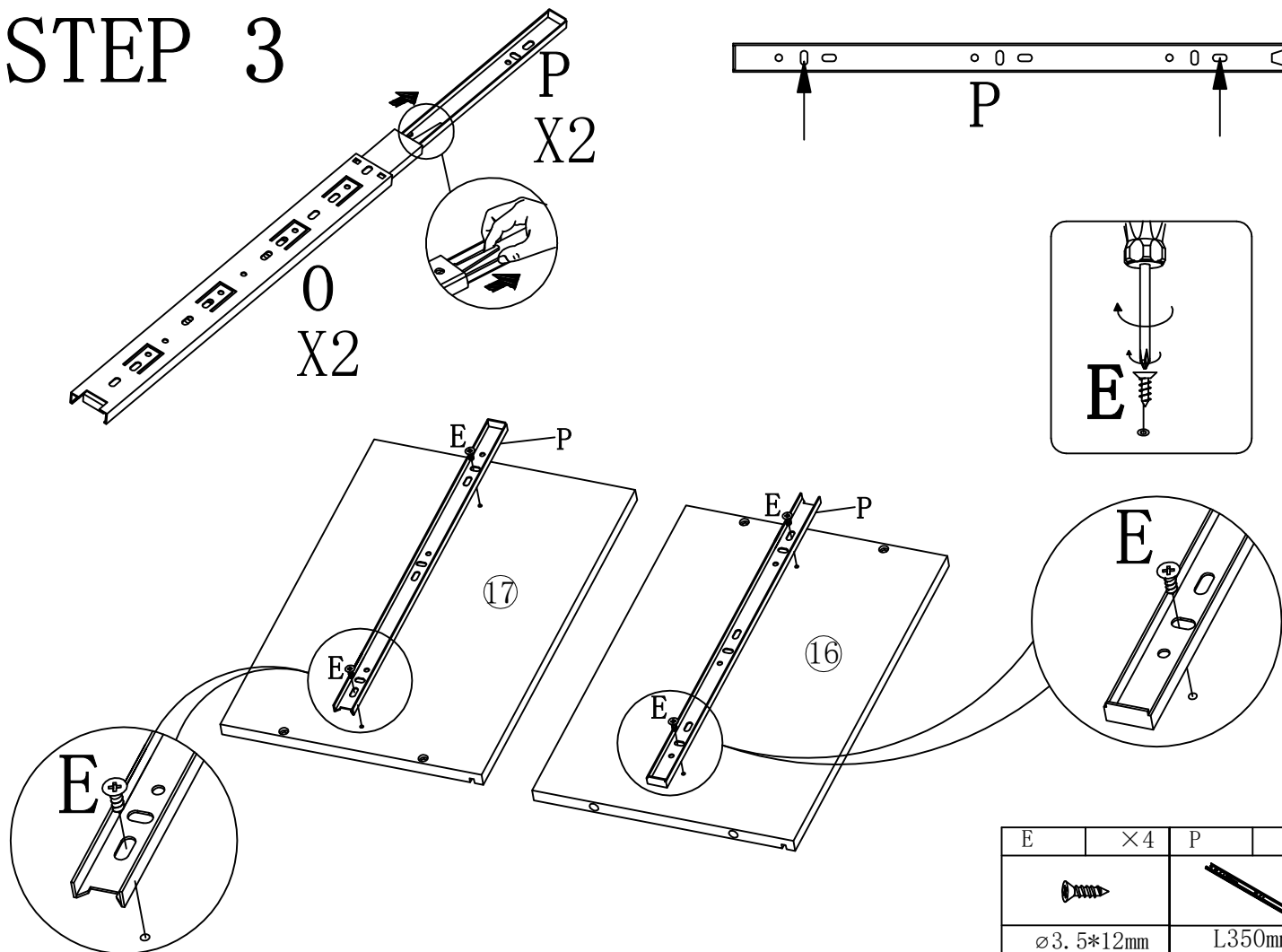


STEP 2

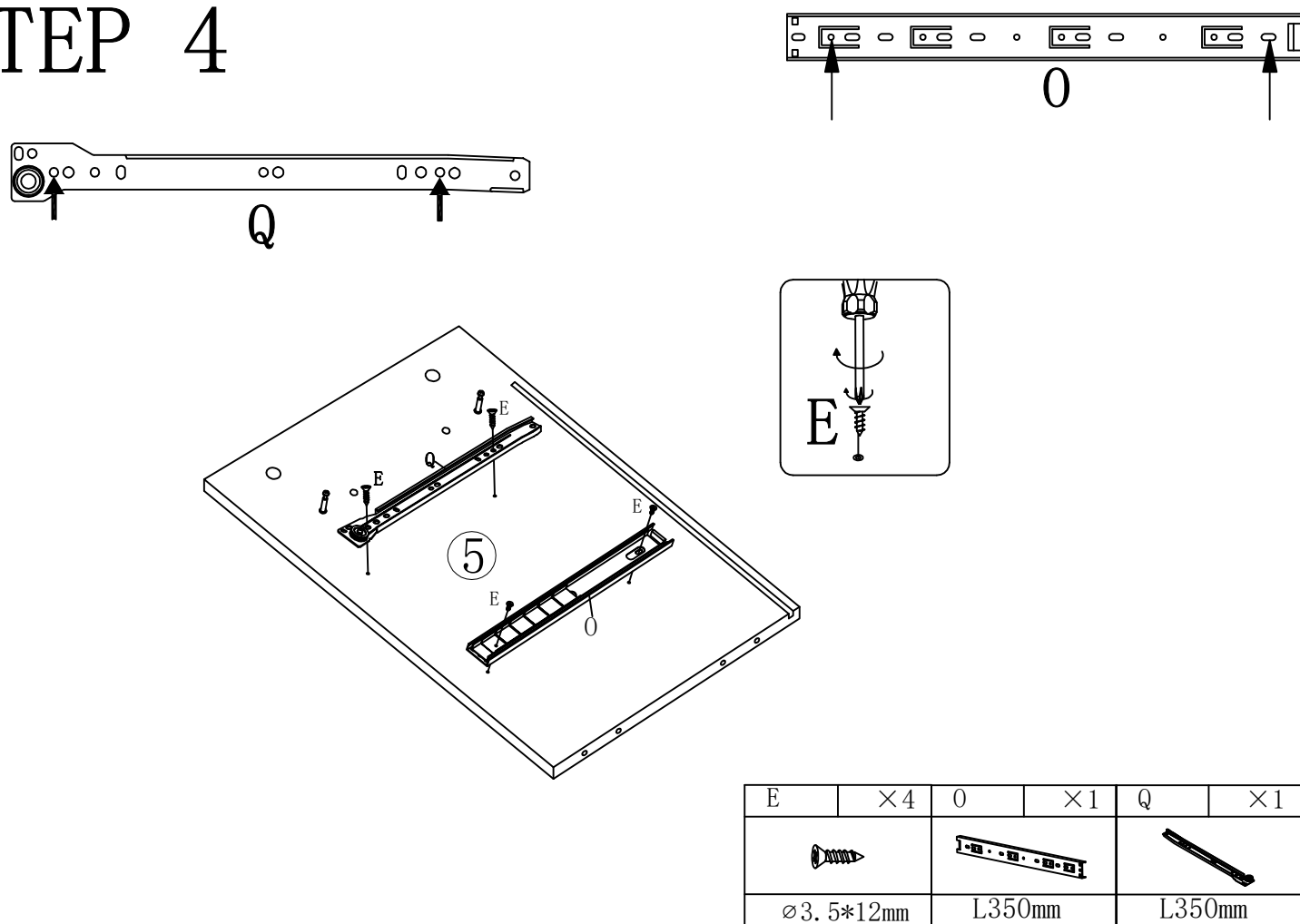


L	×2
	
M6*ø32mm	

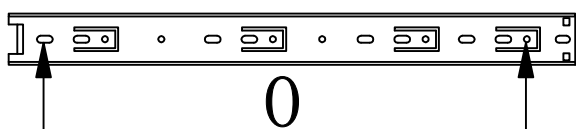
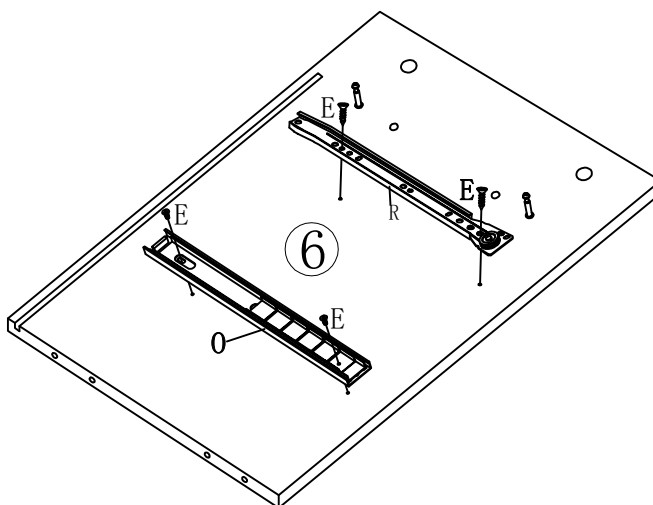
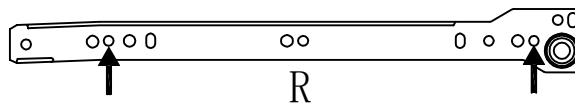
STEP 3






STEP 4

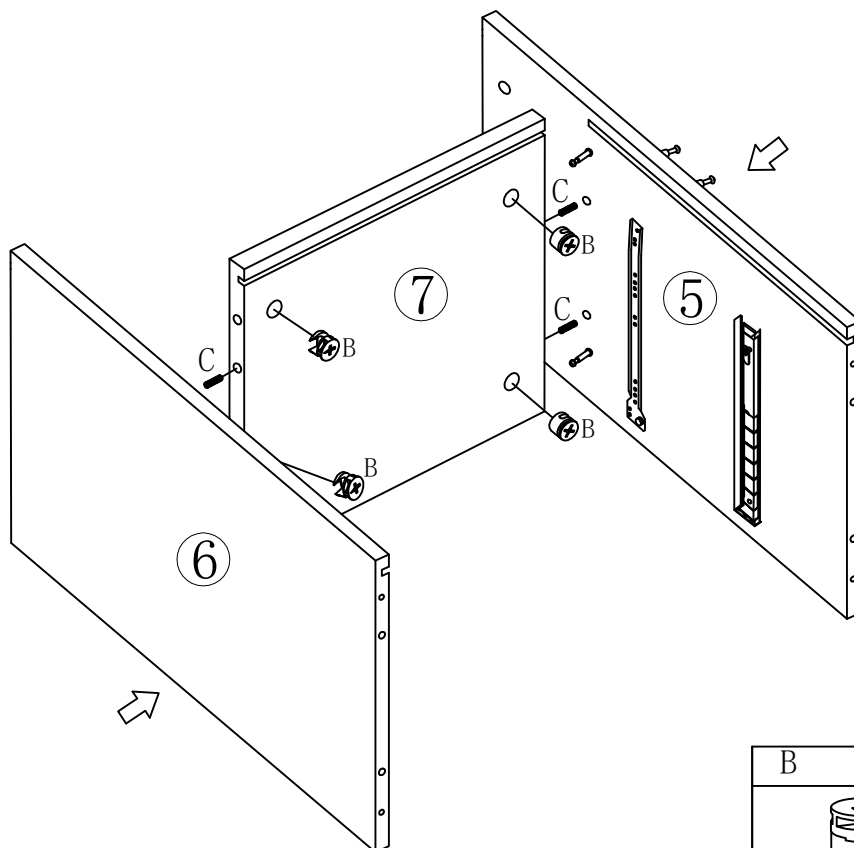




STEP 5



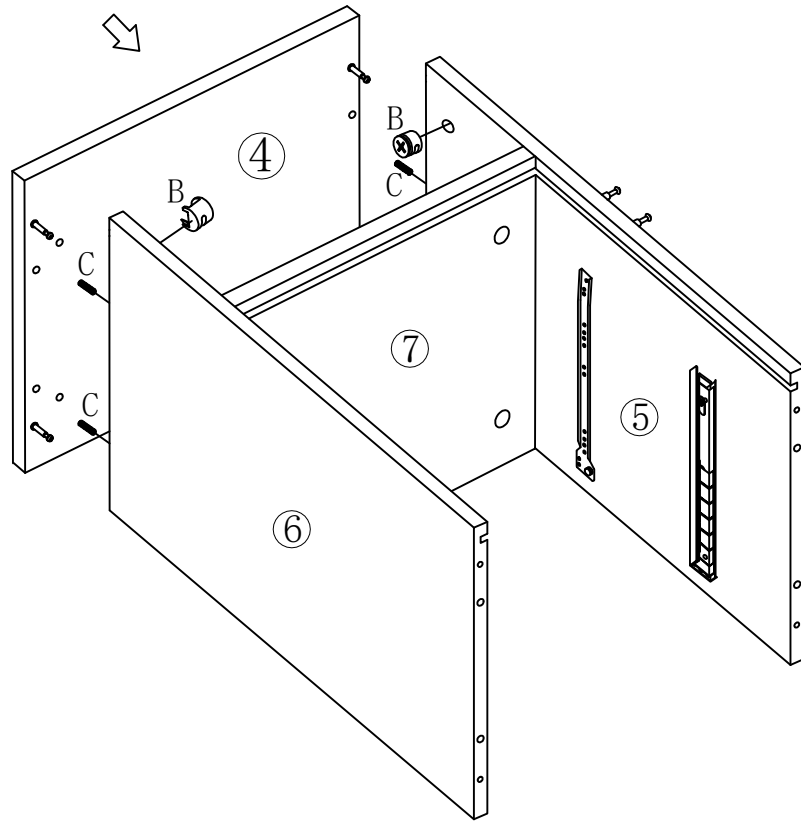
E	×4	O	×1	R	×1
					
ø3.5*12mm		L350mm		L350mm	



STEP 6



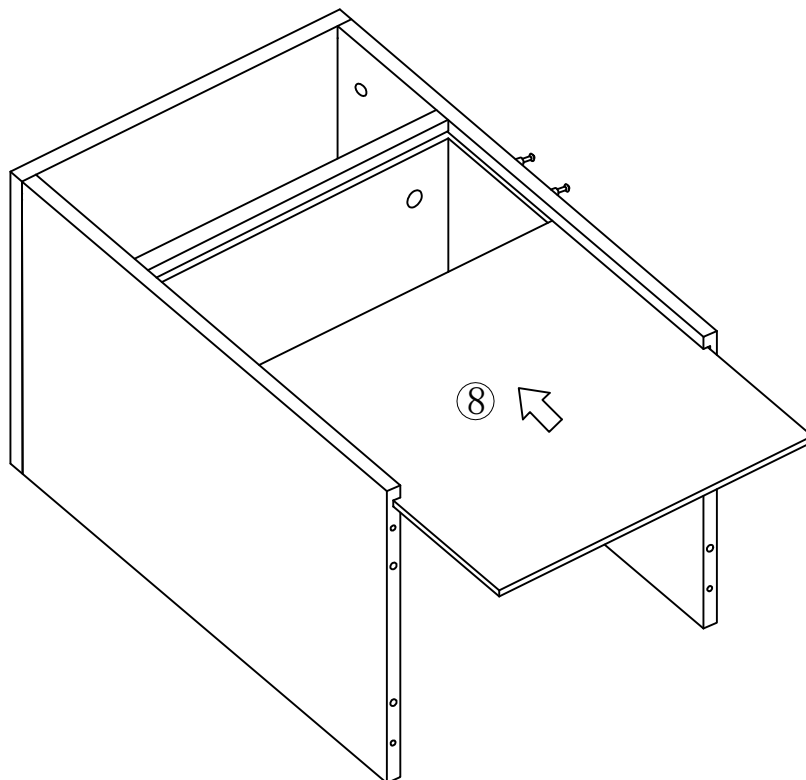
B	×4	C	×4
			
ø15*12mm		ø8*30mm	

STEP 7

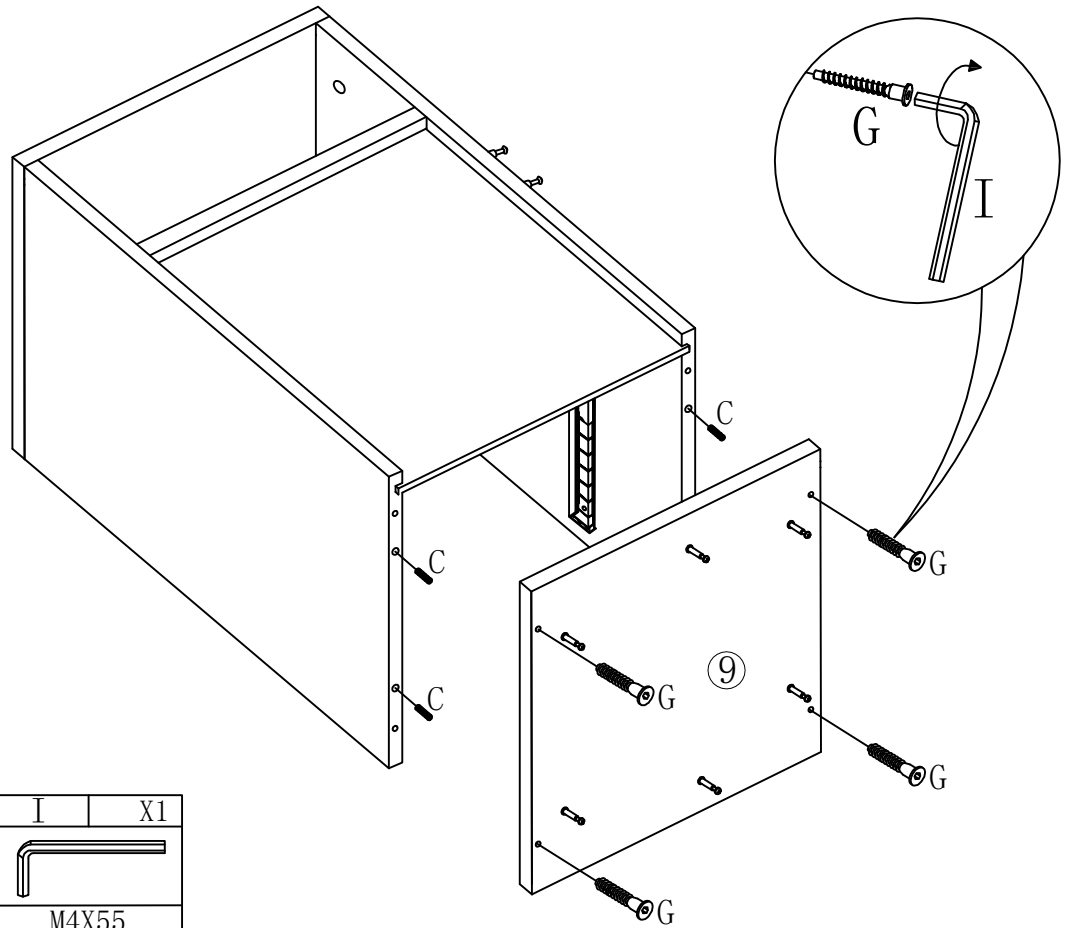


B	×4	C	×4
			
∅15*12mm		∅8*30mm	

STEP 8

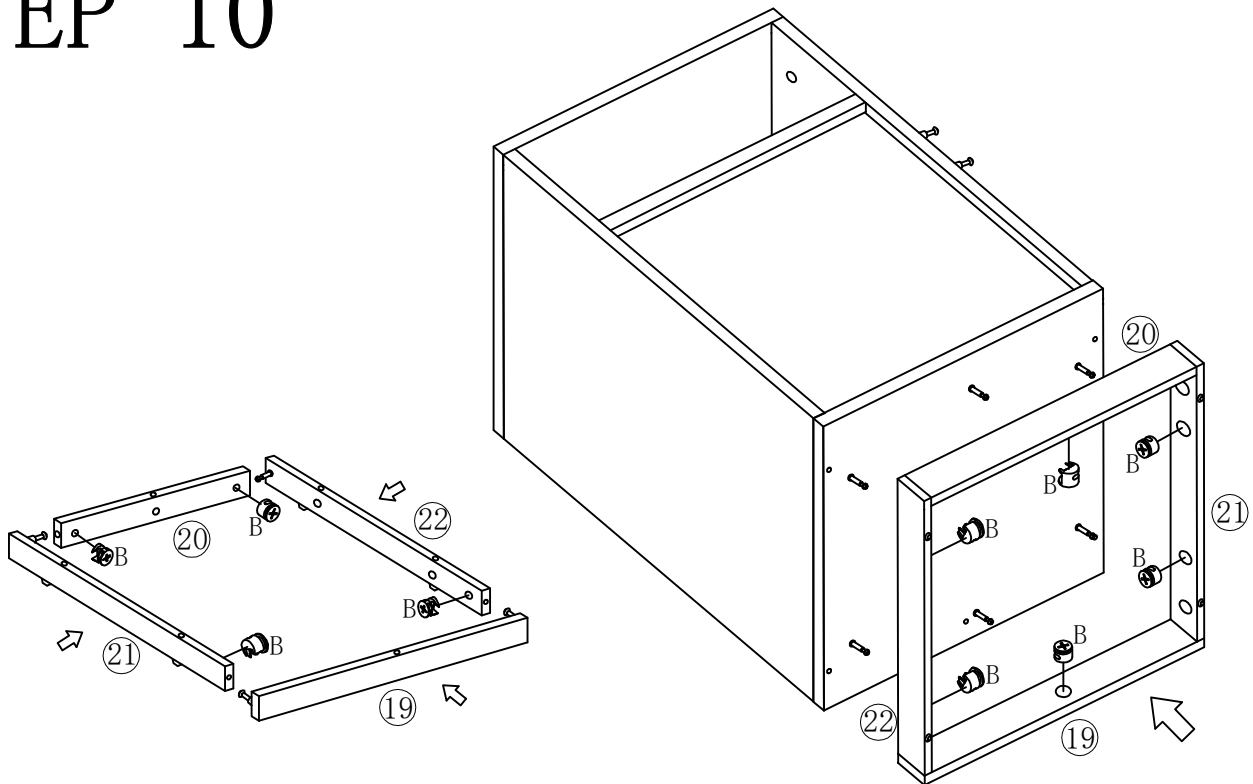


STEP 9



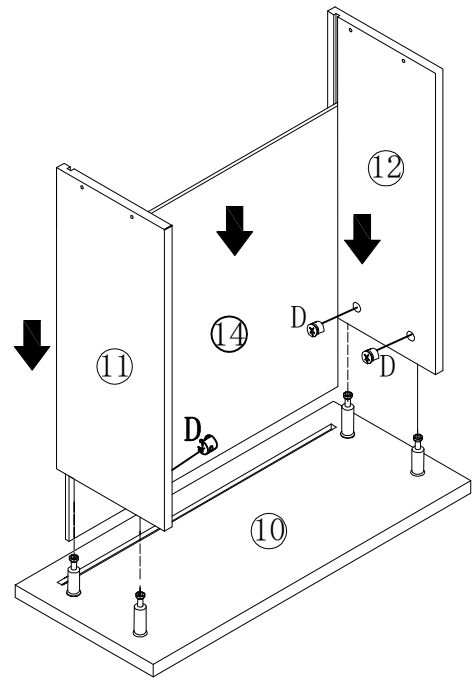
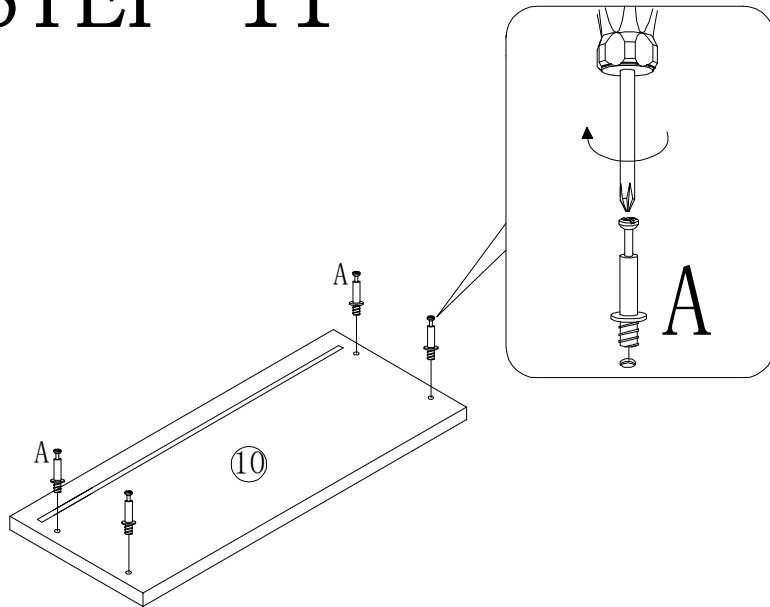
C	X4	G	X4	I	X1
∅8*30mm		Φ 7X47		M4X55	

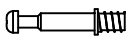

STEP 10



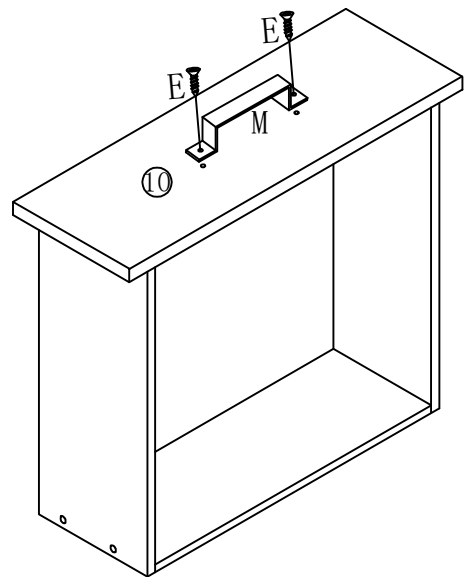
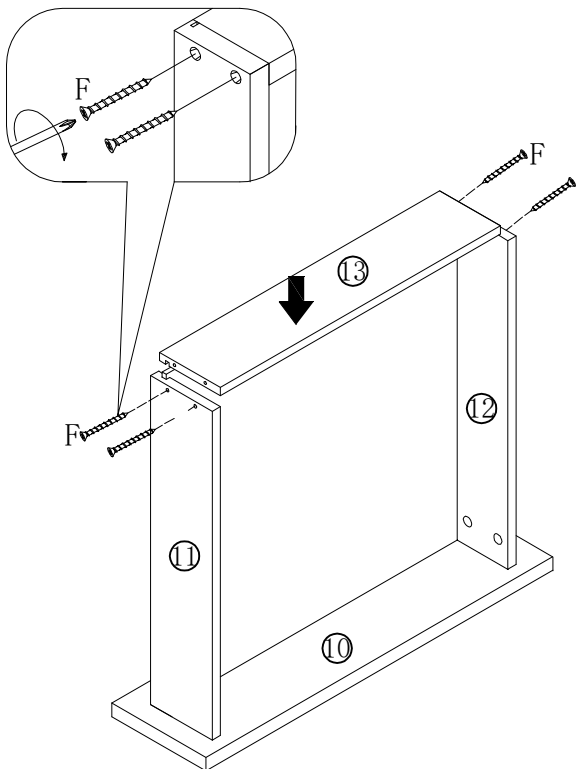
B	×10
∅15*12mm	


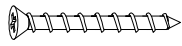
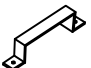
STEP 11



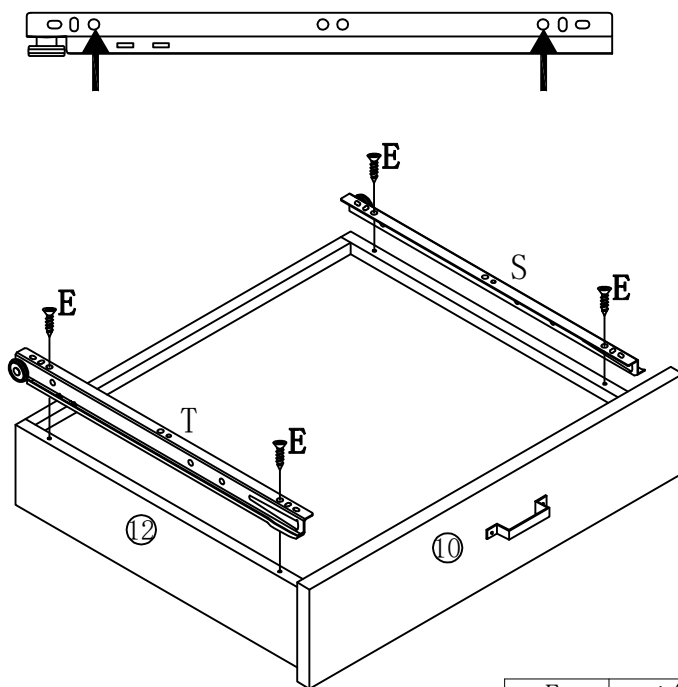
A	X4	D	X4
			
Φ 6X35		Φ 15X10	




STEP: 12



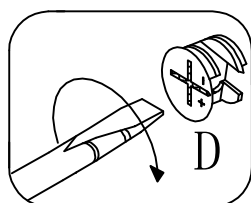
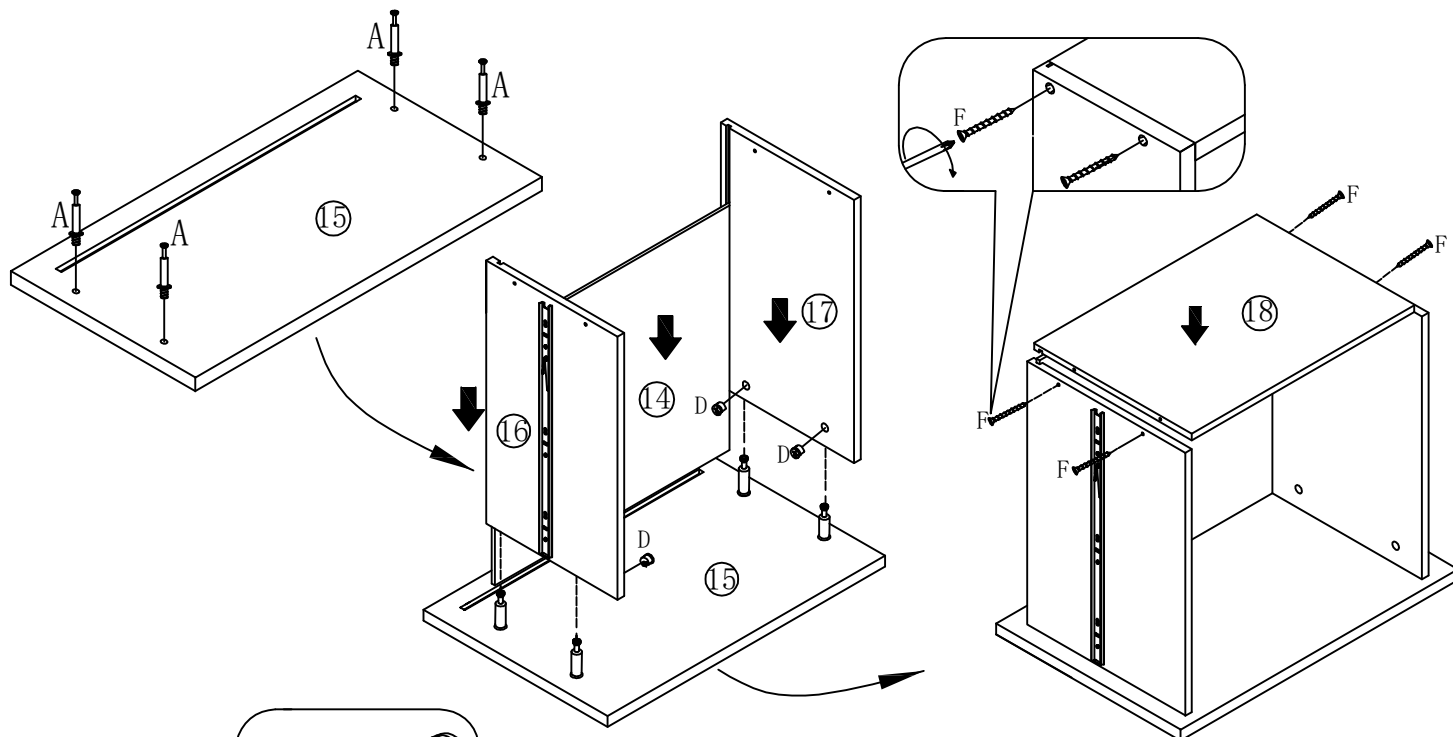
E	*2	F	*4	M	× 1
					
3.5*12mm		4*35mm		150*30*20mm	

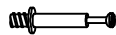

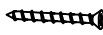
STEP: 13



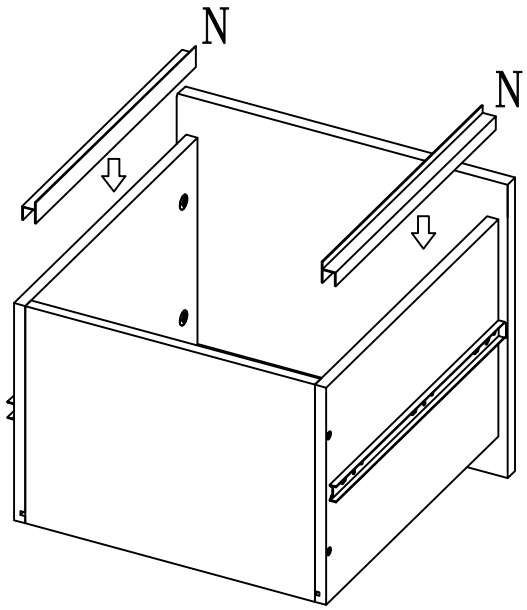
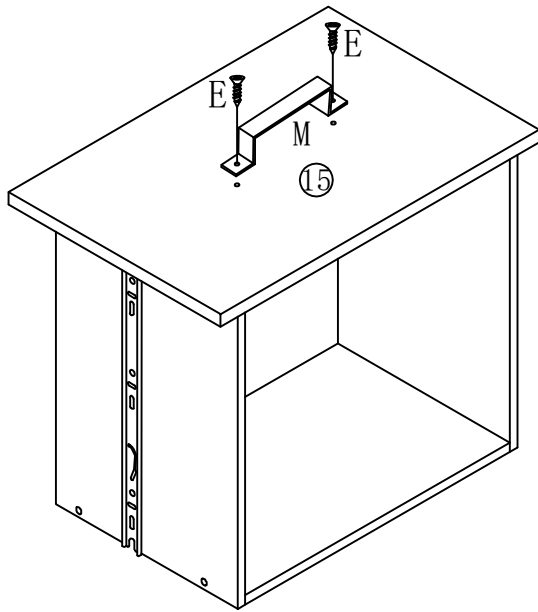
E	*4	S	×1	T	×1
					
3.5*12mm		L350mm		L350mm	


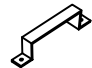

STEP 14



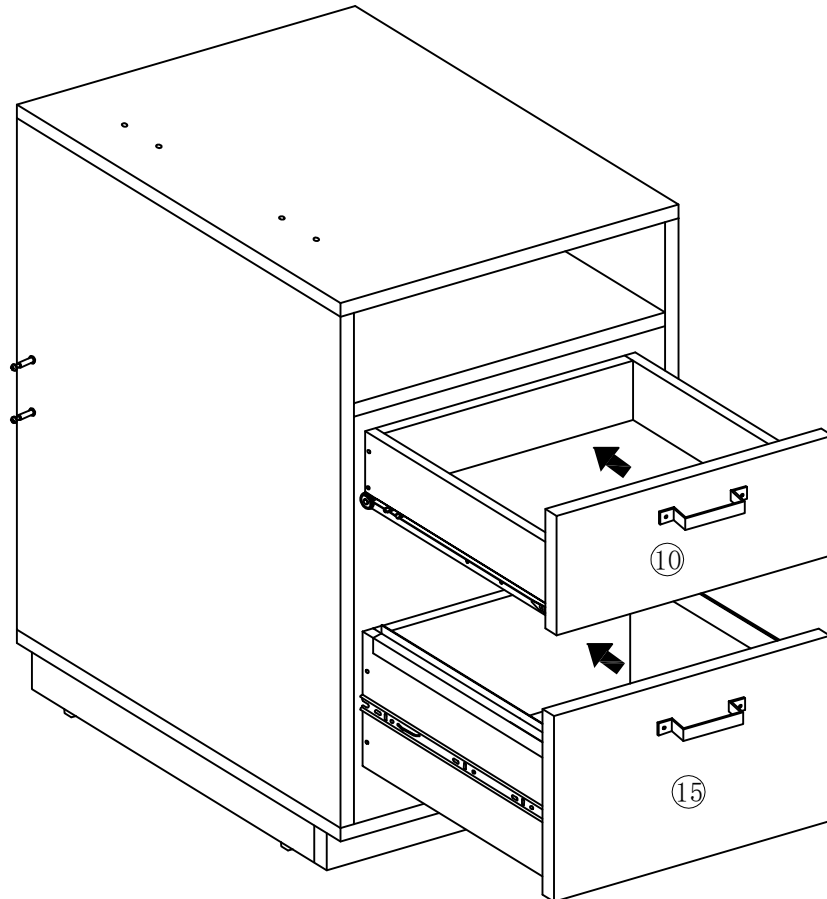
A	×4	D	×4	F	×4
					
∅6*35mm		∅15*10mm		∅4*35mm	

STEP 15

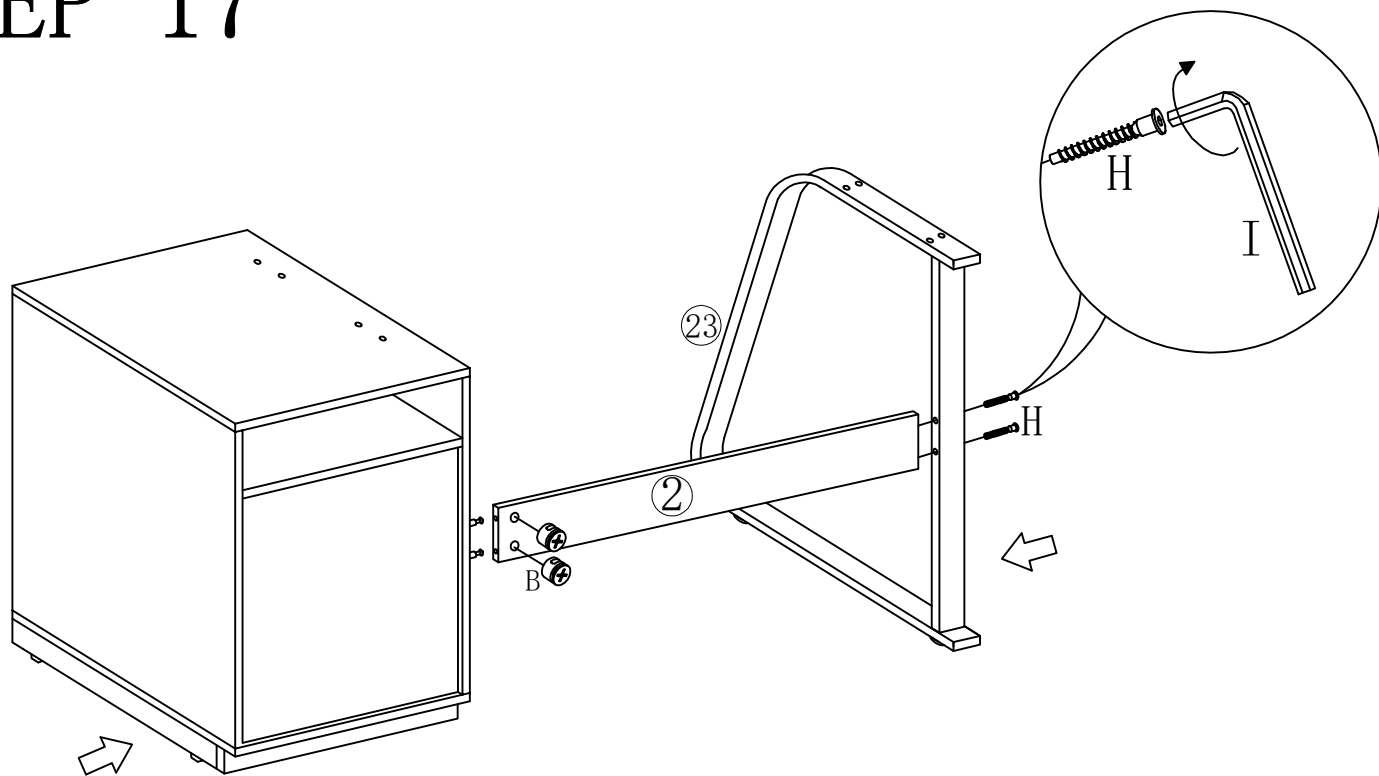


E	×2	M	×1	N	×2
					
ø3.5*12mm		150*30*20mm		336*22*16mm	

STEP 16

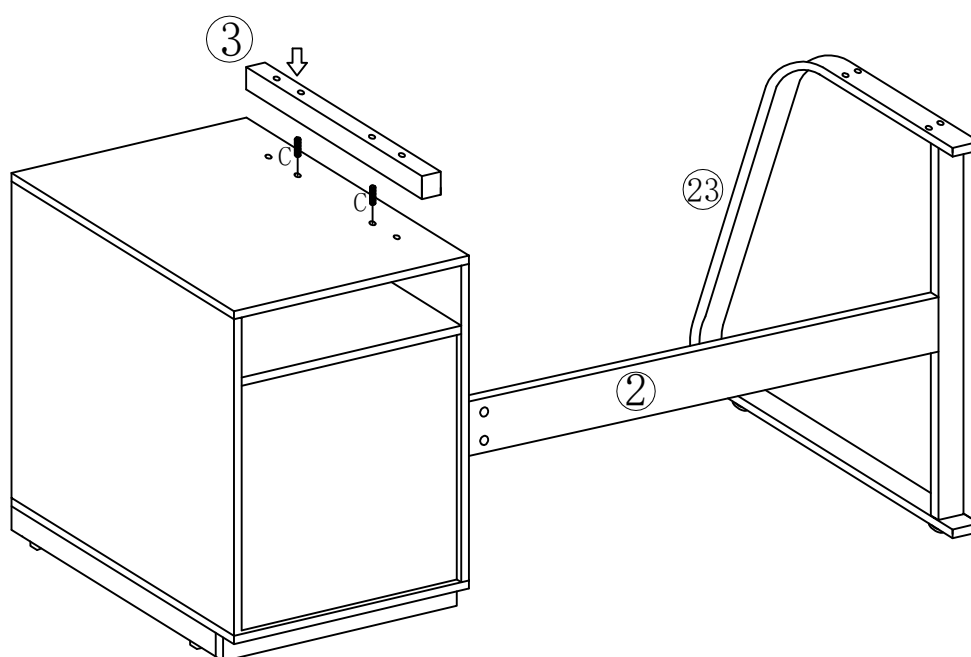


STEP 17



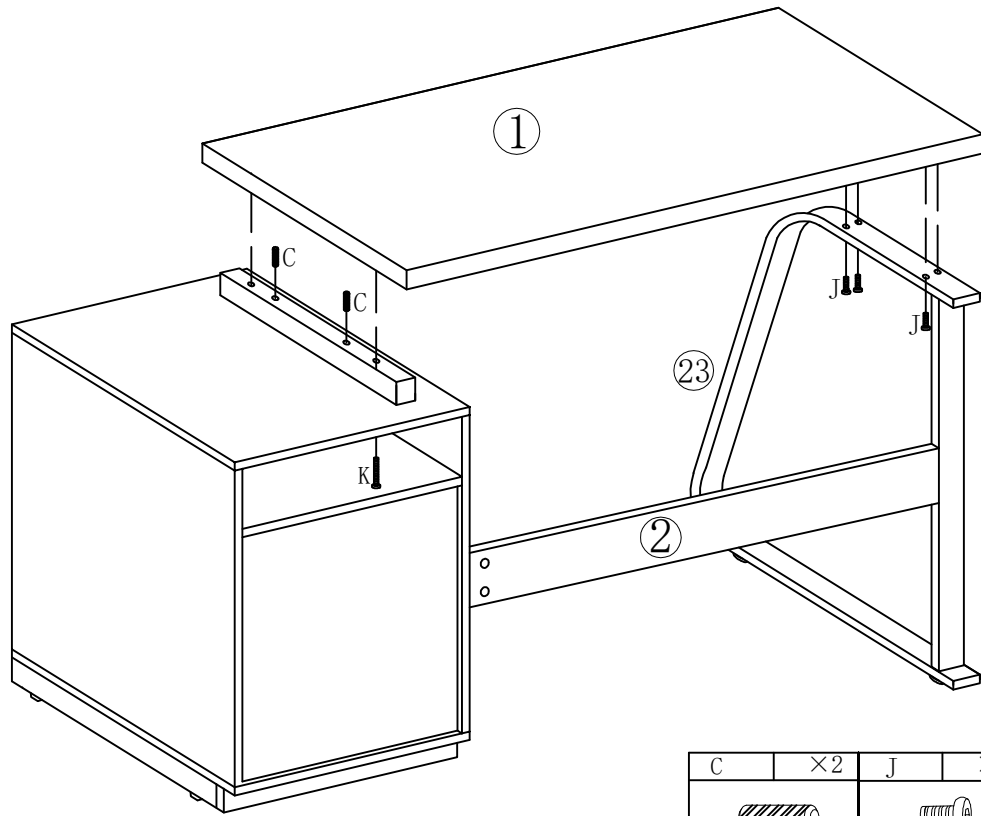
B	×2	H	×2
∅15*12mm		Φ7X70	



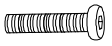
STEP 18



C	×2
∅8*30mm	

STEP 19



C	×2	J	×4	K	×2
					
∅8*30mm		M6*40mm		M6*100mm	

STEP 20

