

Installation Instructions

Laurent End Table

Please read carefully and save these instructions, as you may need them at a later date.

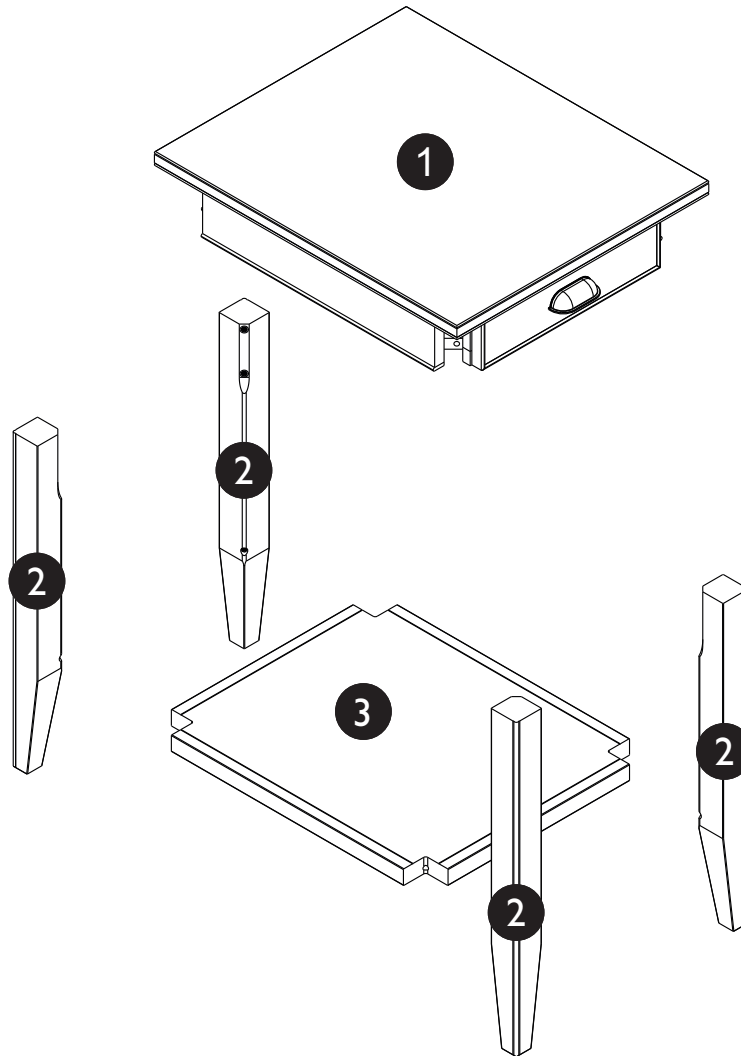


Installation Instructions

Laurent End Table

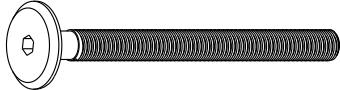
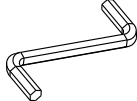
PARTS INCLUDED

Please confirm all parts are available before starting assembly.



HARDWARE INCLUDED

Please confirm all hardware are available before starting assembly.

Ref.		Qty.
A	 Bolts 1/4 x 60 mm	12
B	 Hex Key	1

Installation Instructions

Laurent End Table

Figure 1

Place the top assembly upside down and remove the dowels, and then pull out the drawer.

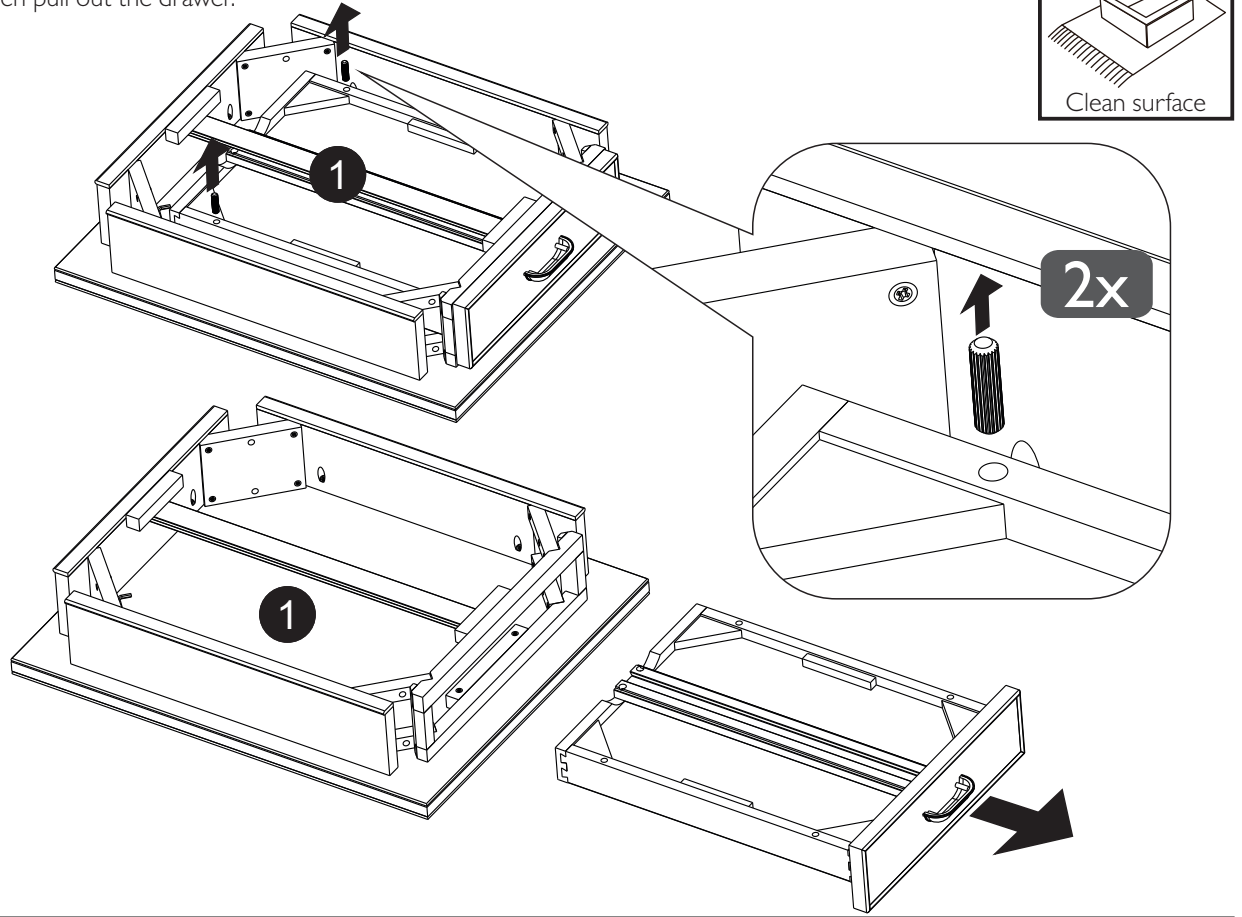
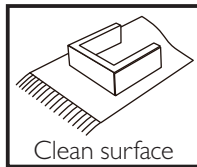
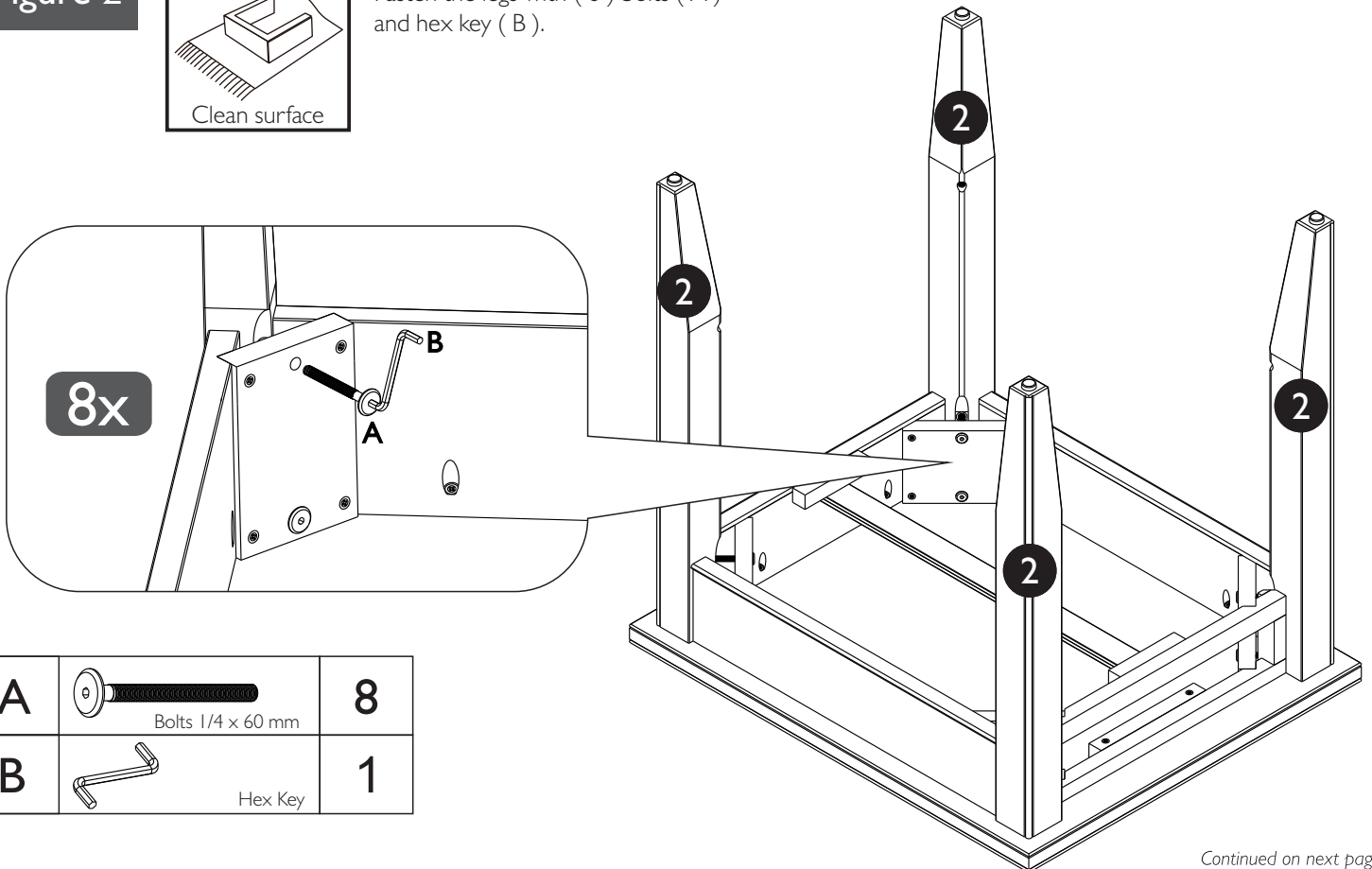

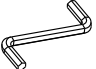


Figure 2



Fasten the legs with (8) bolts (A) and hex key (B).



A	 Bolts 1/4 x 60 mm	8
B	 Hex Key	1

Continued on next page

Installation Instructions

Laurent End Table

Figure 3

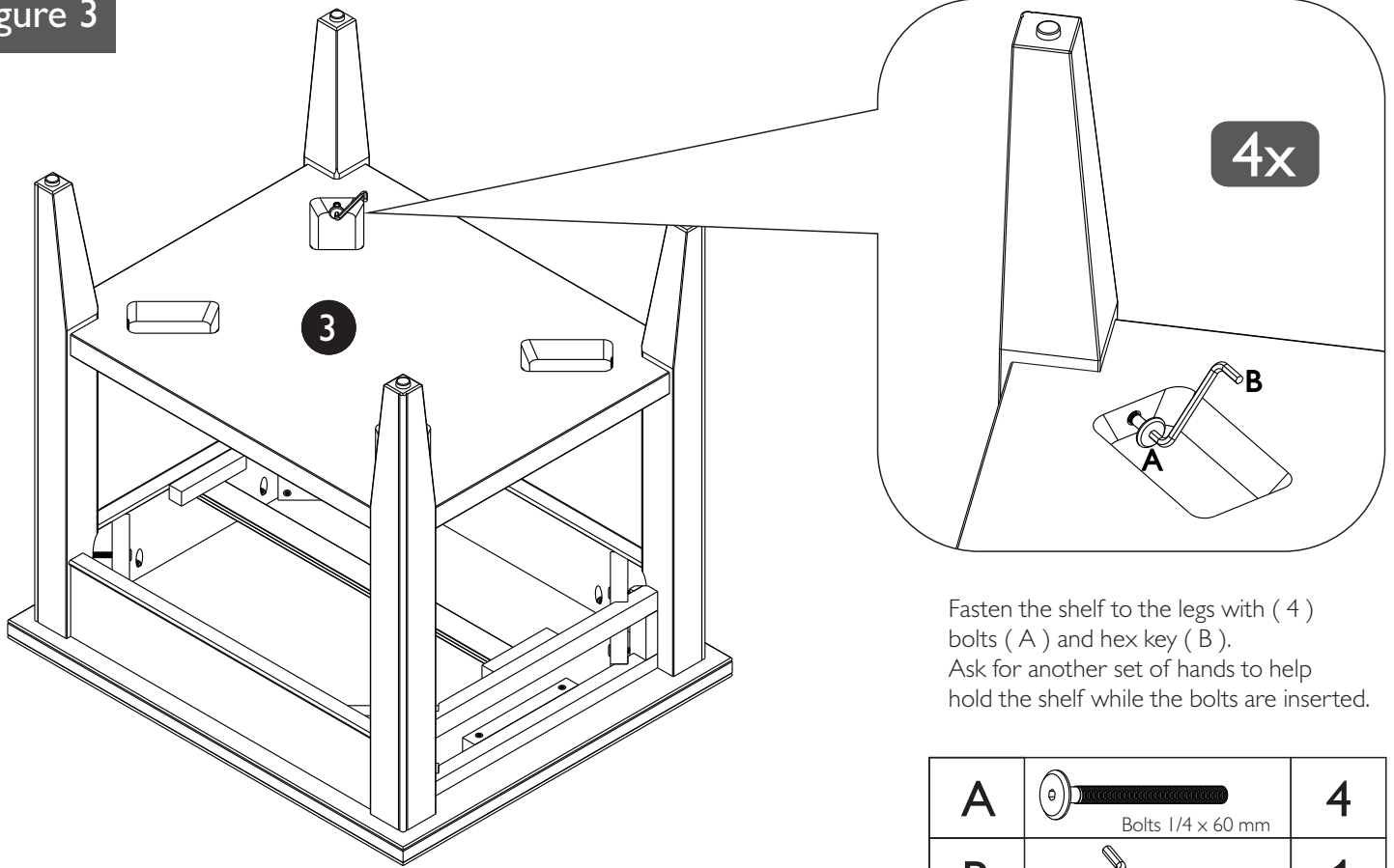
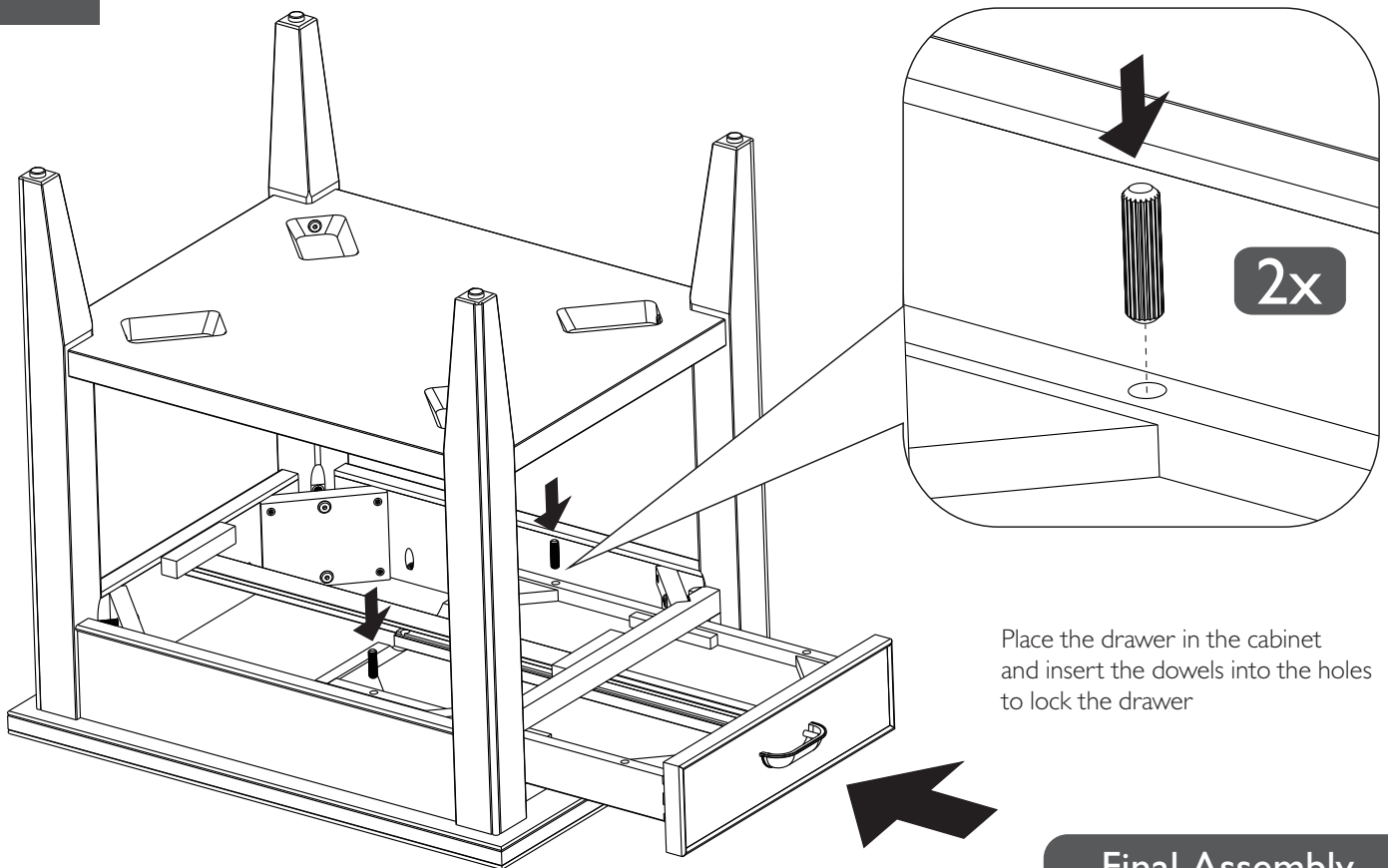


Figure 4



Final Assembly