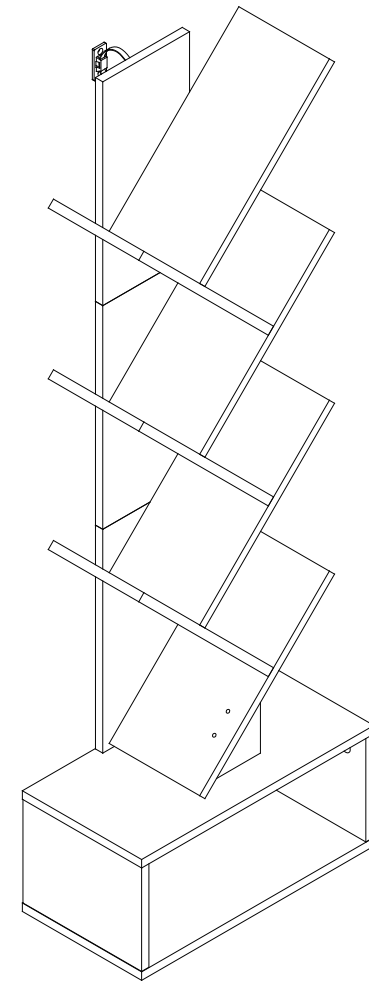


sorbus[®]
Make Yourself at Home

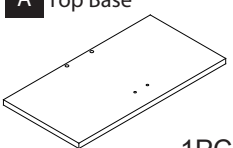
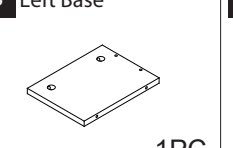
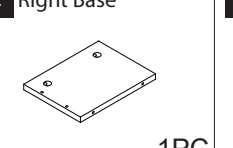
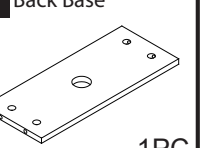
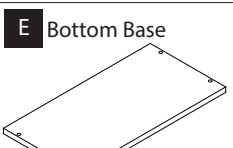
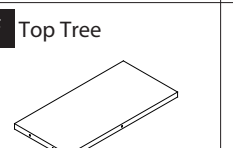
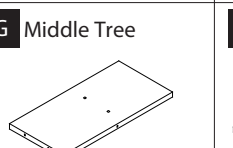
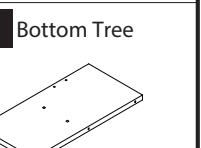
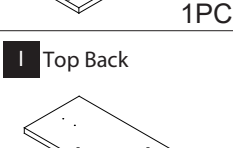
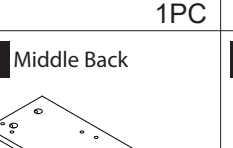
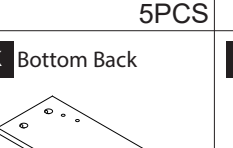

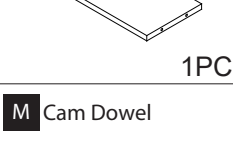

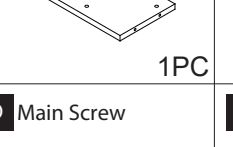
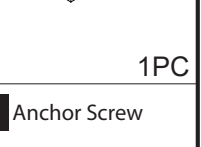
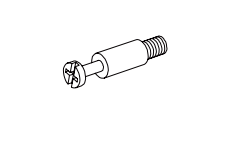
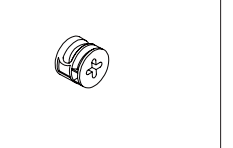


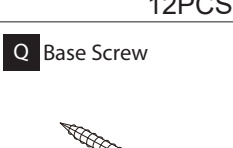
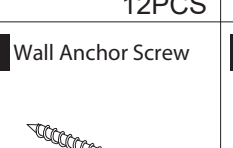
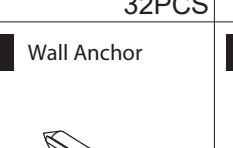

sorbus[®]
Make Yourself at Home



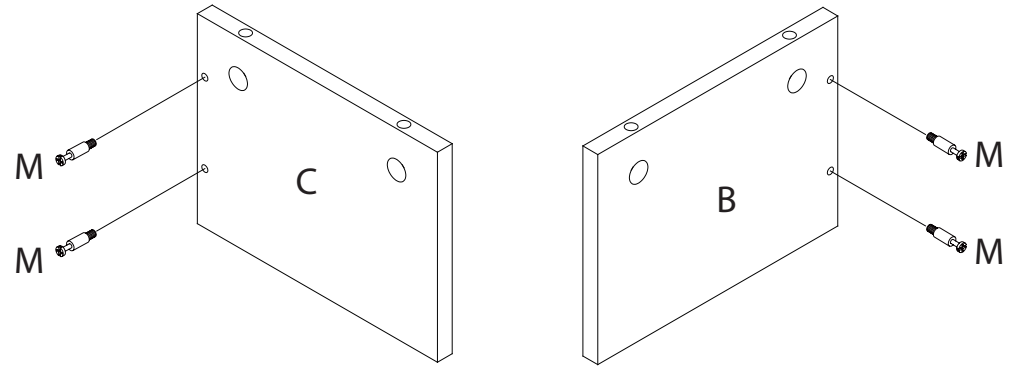
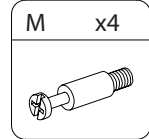
Wooden Bookshelf

Assembly Instructions

Product Parts

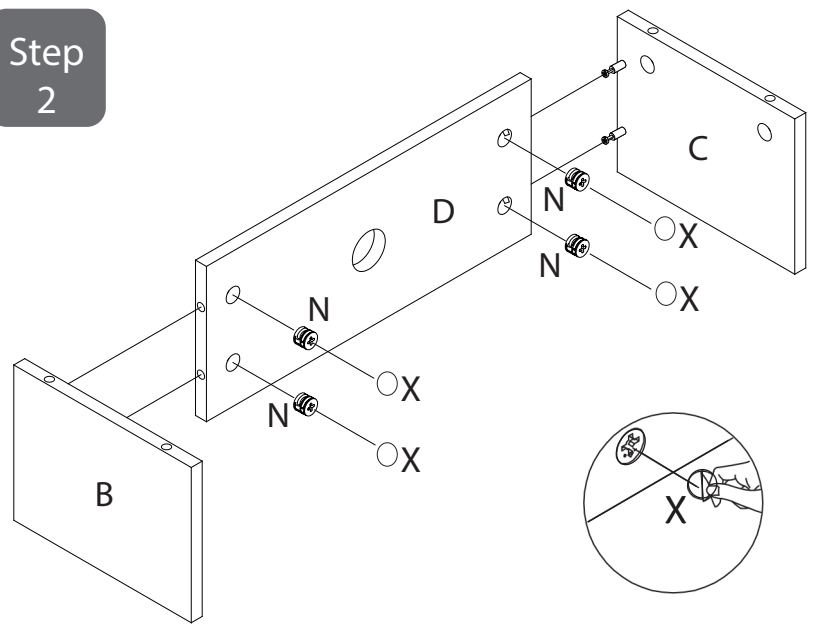
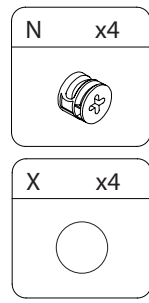
| | | | |
|--|--|--|--|
| A Top Base  1PC | B Left Base  1PC | C Right Base  1PC | D Back Base  1PC |
| E Bottom Base  1PC | F Top Tree  1PC | G Middle Tree  5PCS | H Bottom Tree  1PC |
| I Top Back  1PC | J Middle Back  1PC | K Bottom Back  1PC | L Base Platform  1PC |
| M Cam Dowel  12PCS | N Cam Lock Nut  12PCS | O Main Screw  M6.3*40 32PCS | P Anchor Screw  M3*12 2PCS |
| Q Base Screw  M4*30 4PCS | R Wall Anchor Screw  M4*40 2PCS | S Wall Anchor  2PCS | T Grip Pads  4PCS |
| U Wall Anchor System  1PC | V Hex Key  1PC | W Screwdriver  1PC | X Cap Sheet  12PCS |

Step 1



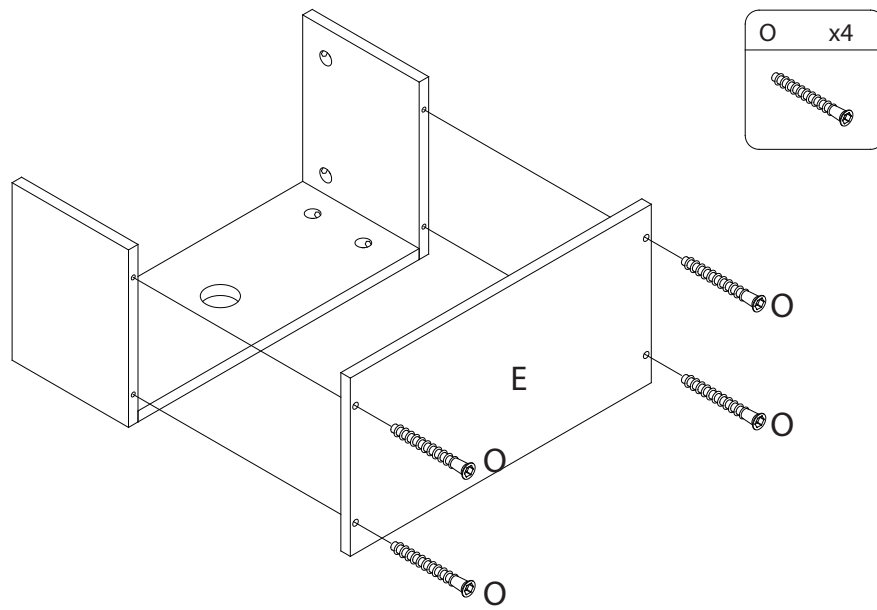
Step 1: Place cam dowel (M) into the left and right stand base (B, C) as shown.

Step 2



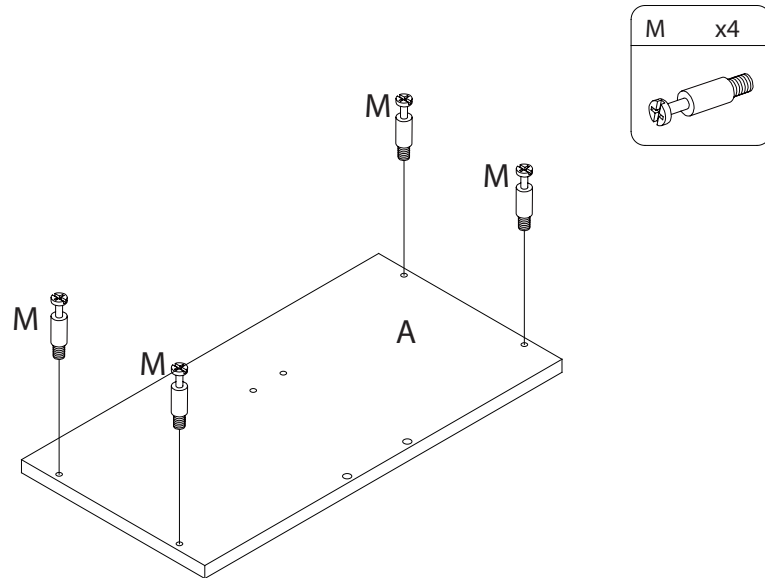
Step 2: Connect back base (D) to left base (B). Using cam lock nut (N), tighten as shown. Cover with cap sheet (X).

Step 3



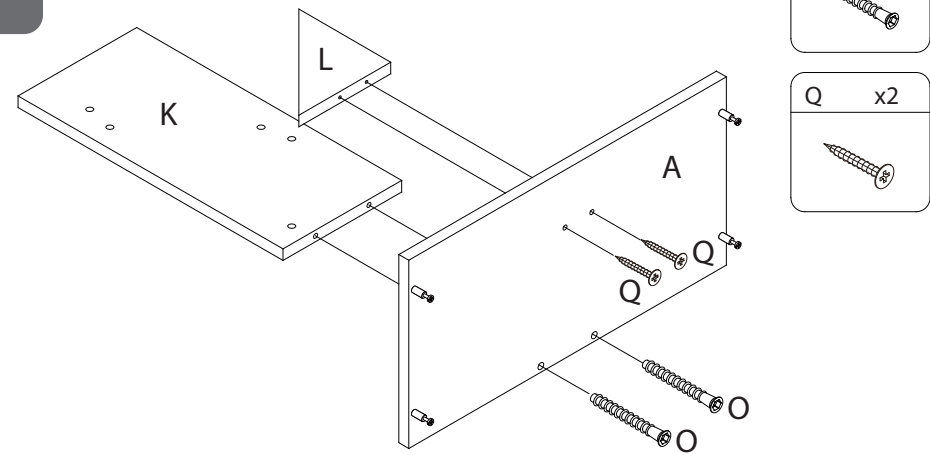
Step 3: Attach the left and right base (B, C) to bottom base (E) as shown. Secure with main screw (O) and tighten with hex key (V).

Step 4



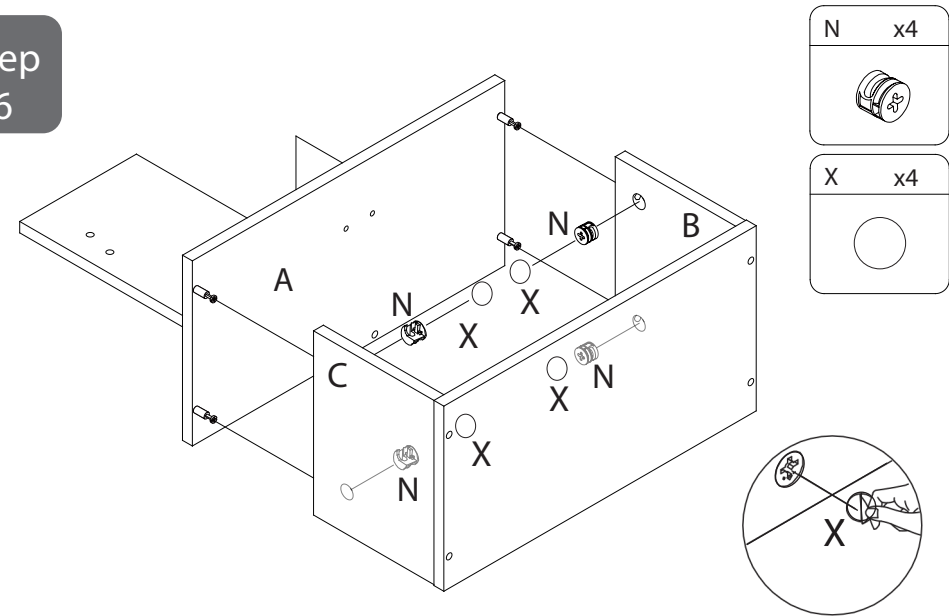
Step 4: Place cam dowel (M) into the top base (A) as shown.

Step 5



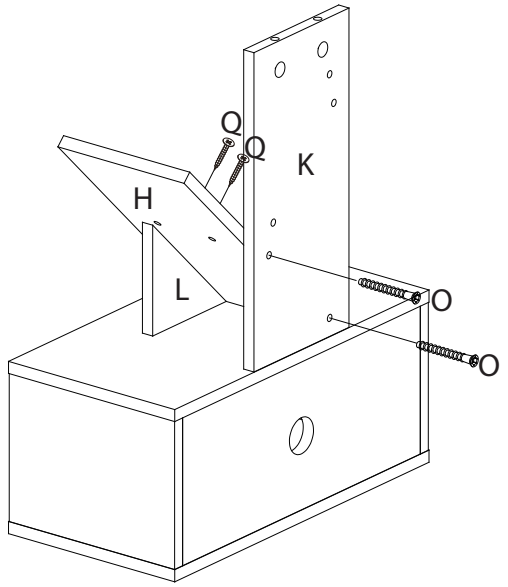
Step 5: Attach the bottom back (K) to the top base (A) using main screw (O) and hex key (V). Then attach the base platform (L) to the top base (A) using base screw (Q).

Step 6



Step 6: Secure top base (A) to the left and right bases (B, C) using cam lock (N) as shown. Cover with cap sheet (X).

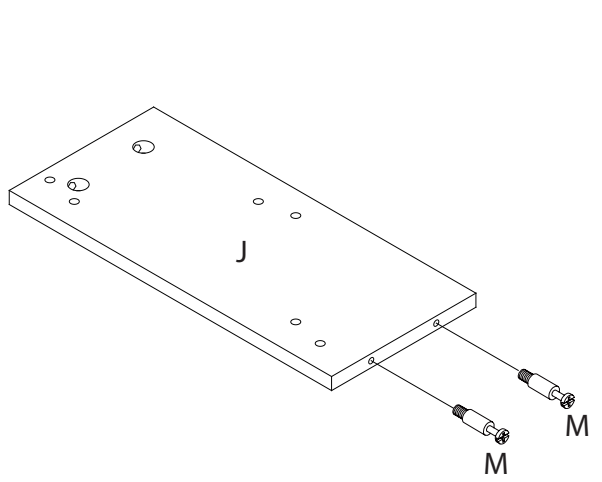
Step 7



- O x2
- Q x2

Step 7: Attach the bottom panel (H) to the base platform (L) with base screw (Q) as shown. Next attach bottom panel (K) to top base (A) using main screw (O) and hex key (V).

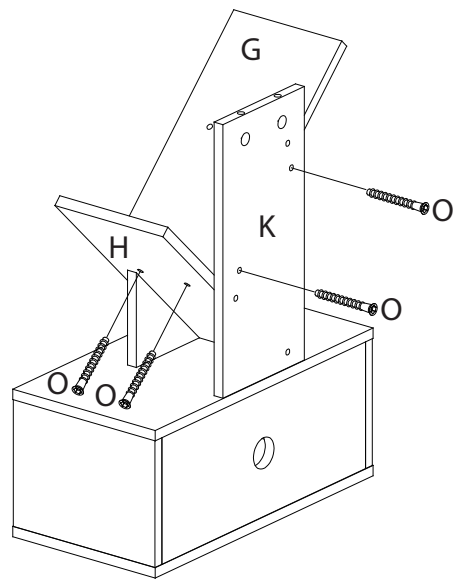
Step 9



- M x2

Step 9: Place cam dowel (M) into the middle back (J) as shown.

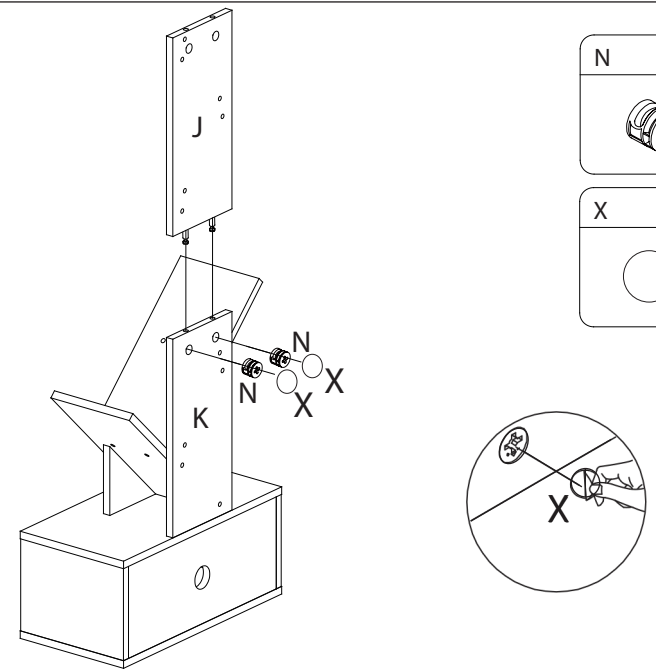
Step 8



- O x4

Step 8: Attach middle panel (G) to bottom panel (H) using main screw (O) and hex key (V). Next, secure to bottom back (K) using main screw (o) and hex key (V).

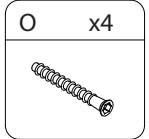
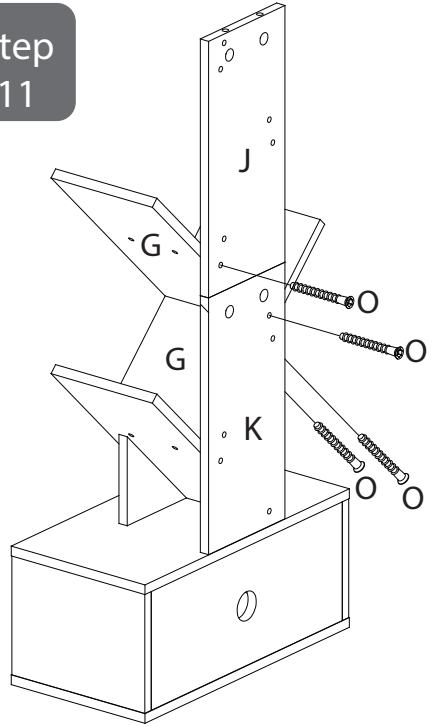
Step 10



- N x2
- X x2

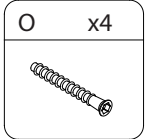
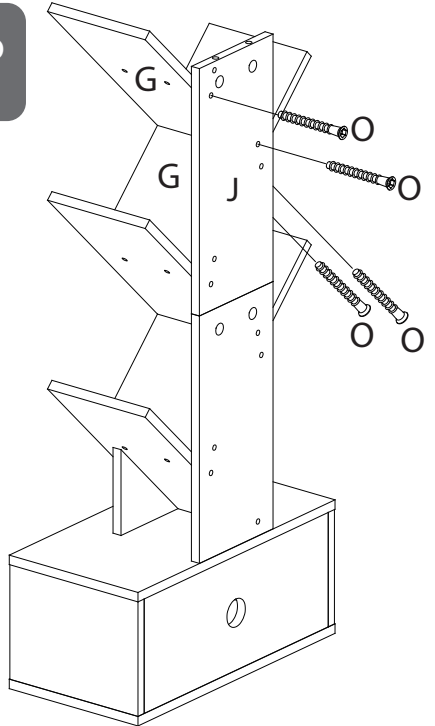
Step 10: Secure middle back (J) to the bottom back (K) using cam lock nut (N) as shown. Cover with cap sheet (X).

Step 11



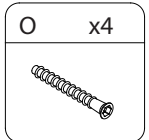
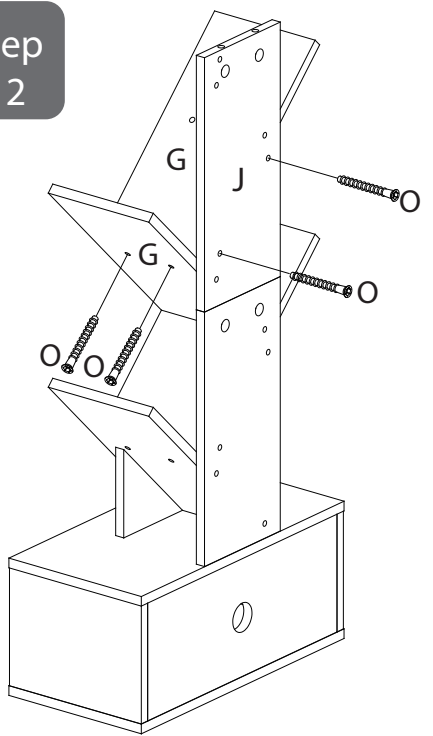
Step 11: Secure middle panel (G) to the other middle panel (G). Next, secure to middle and bottom back (J, K) using main screw (O) and hex key (V).

Step 13



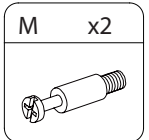
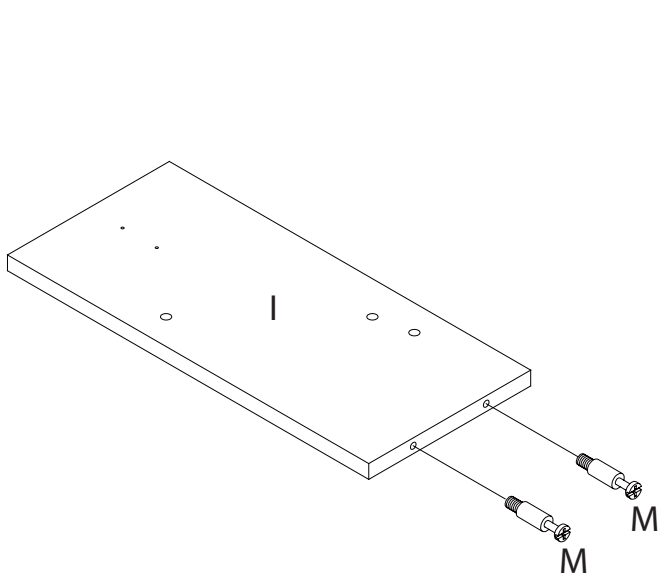
Step 13: Secure middle panel (G) to the other middle panel (G). Next, secure to bottom back (J) using main screw (O) and hex key (V).

Step 12



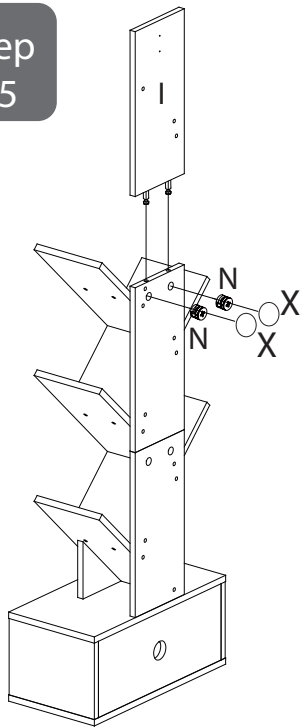
Step 12: Attach middle panel (G) to bottom panel (H) using main screw (O) and hex key (V). Next, secure to back panel (K) using main screw (O) and hex key (V).

Step 14

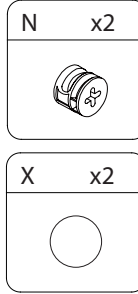
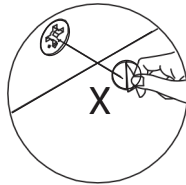


Step 14: Place cam dowel (M) into the top back (I) as shown.

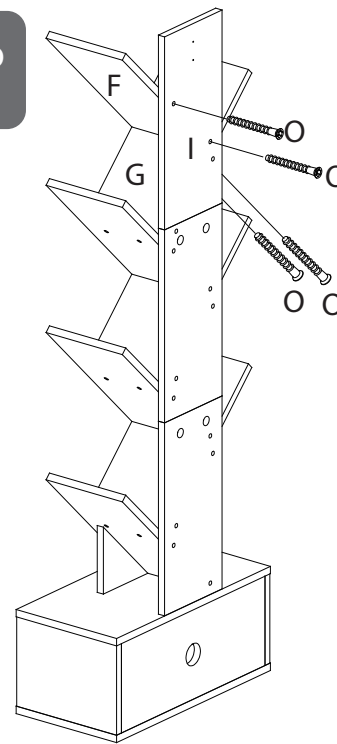
Step 15



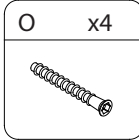
Step 15: Secure top back (I) to the bottom back (K) using cam lock nut (N) as shown. Cover with cap sheet (X).



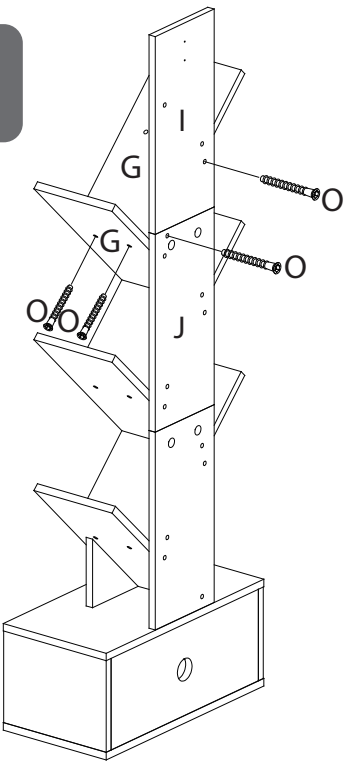
Step 17



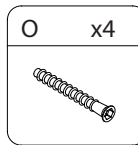
Step 17: Secure top panel (F) to middle panel (G). Next, secure to top back (I) using main screw (O) and hex key (V).



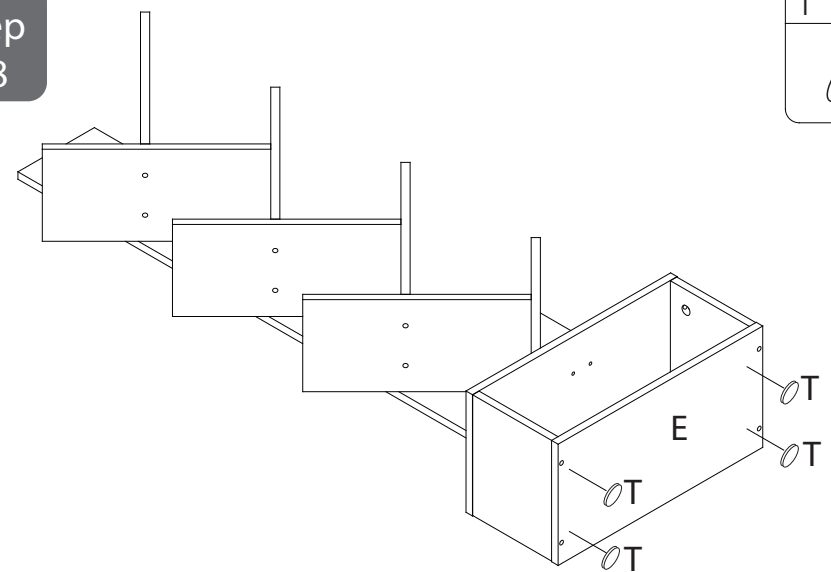
Step 16



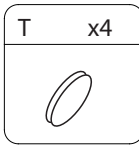
Step 16: Secure middle panel (G) to the other middle panel (G). Next, secure to top and middle back (I, J) using main screw (O) and hex key (V).



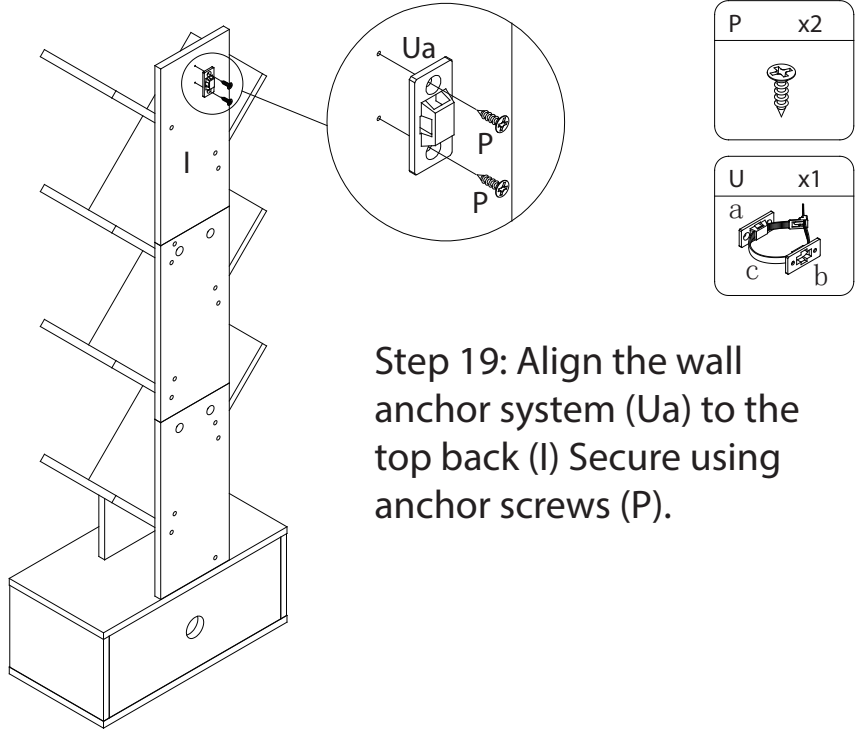
Step 18



Step 18: Place grip pads (T) on the bottom of bottom base (E) as shown.

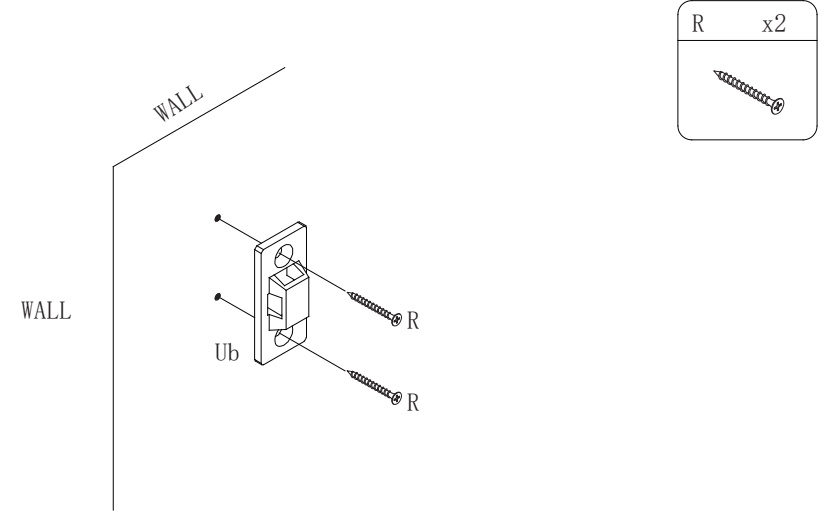


Step 19



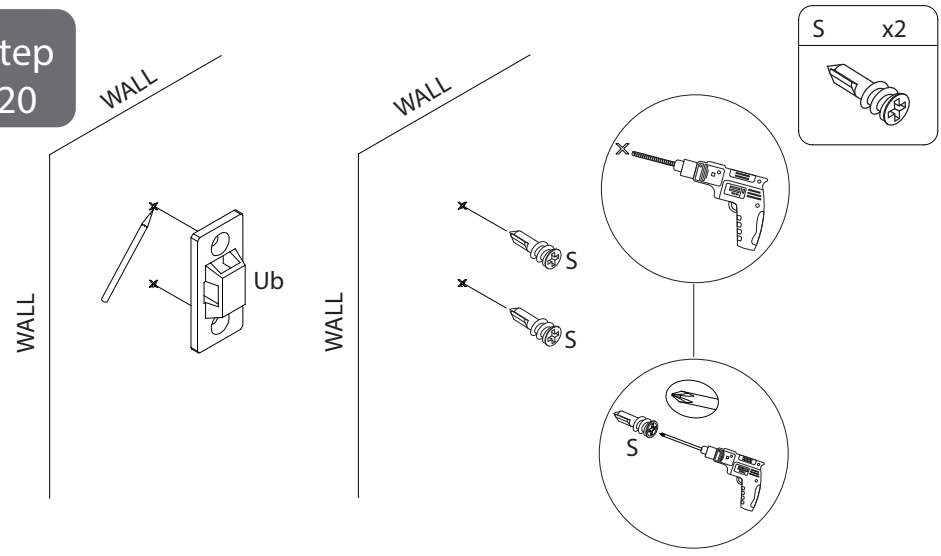
Step 19: Align the wall anchor system (Ua) to the top back (I) Secure using anchor screws (P).

Step 21



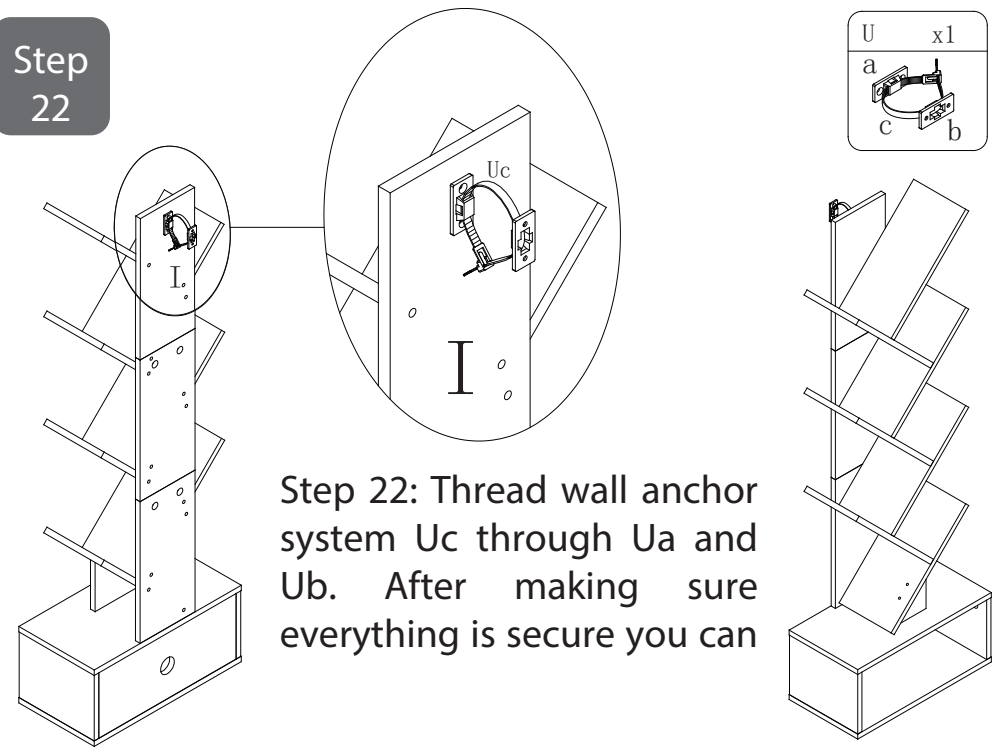
Step 21: Secure wall anchor system (Ub) to the wall with wall anchor screw (R).

Step 20



Step 20: Align the wall anchor system (Ub) to the wall. With a pencil, mark the desired place of installation. Drill a hole into the wall using a 6mm bit and install wall anchor (S).

Step 22



Step 22: Thread wall anchor system Uc through Ua and Ub. After making sure everything is secure you can